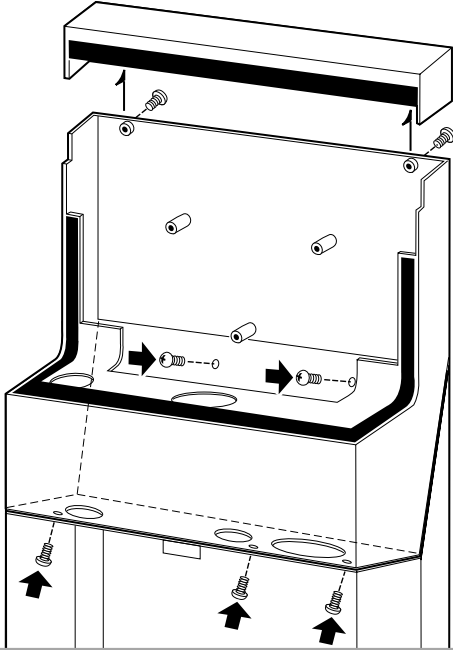


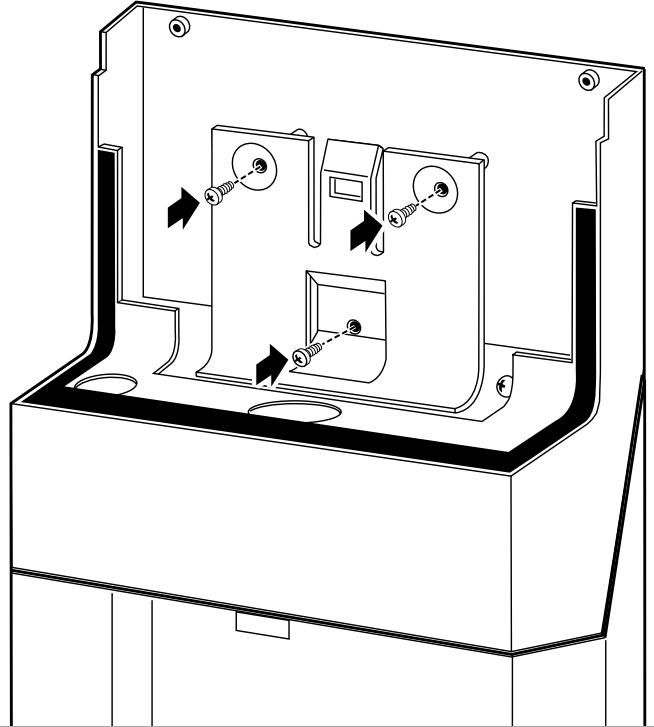
Installation Instructions

OSMAC Adapter Kit, Model 996-21

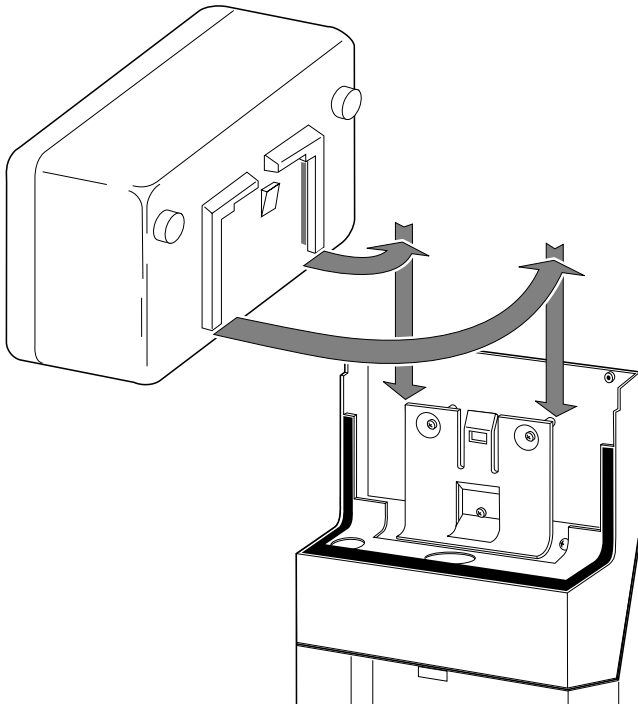
1. Carefully unpack pedestal adapter and position atop pedestal. Install five 10-32 x 3/8 in. screws (loosely) in locations shown. Tighten screws securely only after all screws have been started. Remove two screws retaining upper adapter cover and place cover aside.



2. Install mounting bracket (supplied with OSMAC RDR controller) to adapter assembly using three 8-32 x 3/8 in. screws.



3. Install RDR on mounting bracket as shown. RDR will lock into position when fully installed on bracket.



4. Install and secure upper adapter cover.

