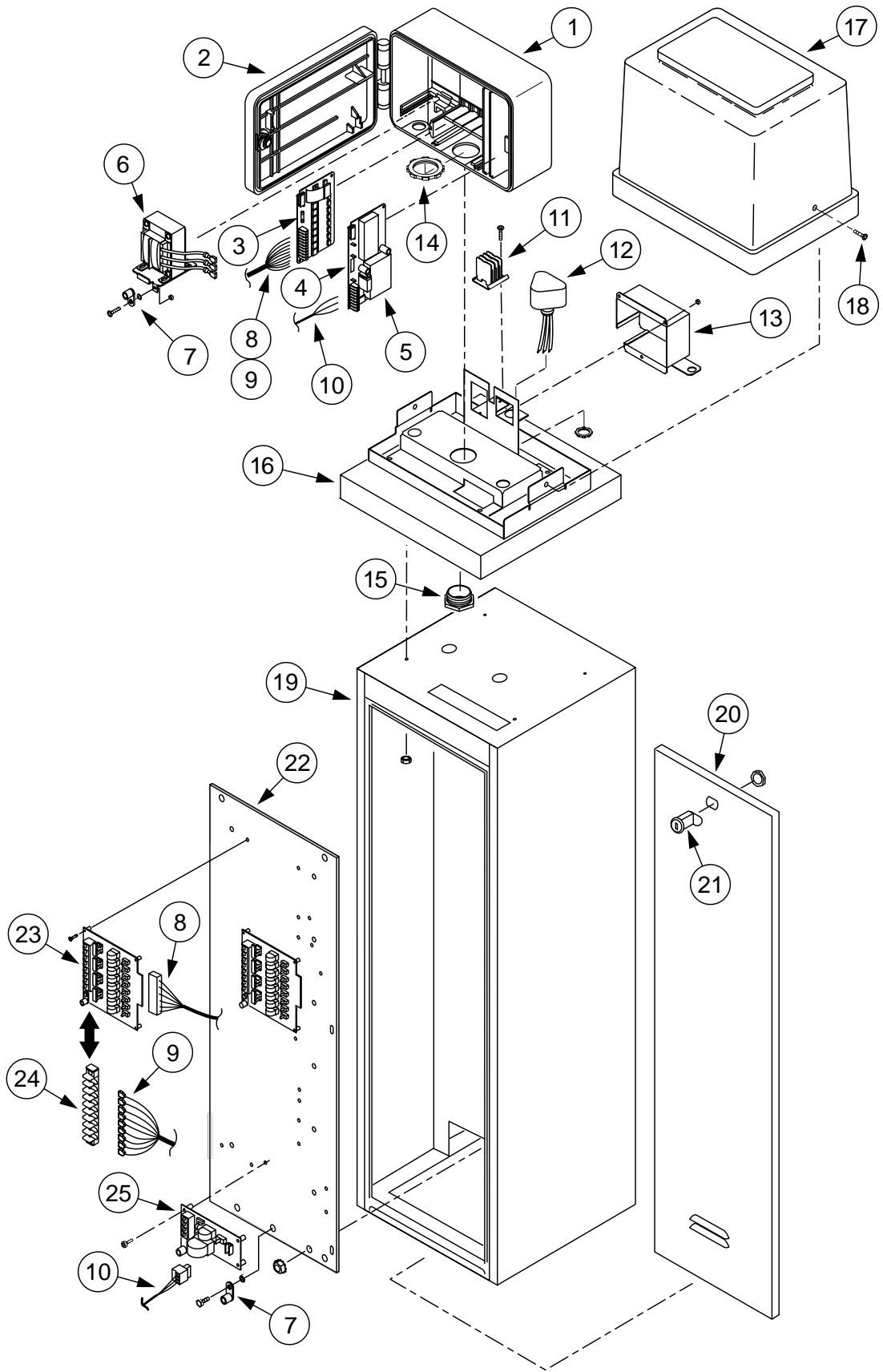




OSMAC Satellite Controller Illustrated Part Breakout

Models Dxx-96-06, Dxx-96-16, Dxx-56-06 and Dxx-56-16



Item No.	Part No.	Nomenclature	Quantity Per Assy.
1	NHN8117	Housing, RDR50	1
2	NHN8118	Cover, Housing	1
3	NLN3491A	Output PCB, 8-Station	1
4	NLN3485	Decoder Module, RDR50	1
4	NLN3794	Decoder Module, RDR16	1
5	N1551-1	Receiver Module, 467.8625 MHz	1
5	N1551-2	Receiver Module, 467.8125 MHz	1
5	N1551-3	Receiver Module, 467.8375 MHz	1
5	N1551-4	Receiver Module, 467.8875 MHz	1
5	N1551-5	Receiver Module, 467.9125 MHz	1
5	N1551-6	Receiver Module, 467.3125 MHz	1
5	N1551-A	Receiver Module, Special Frequency	1
6	NPN8010	Transformer, 24 VAC	1
7	363-1553	Lug, Grounding	2
8	91-1905	Cable Assy., Surge Protection, Short	*
8	91-1906	Cable Assy., Surge Protection, Medium	*
8	91-1907	Cable Assy., Surge Protection, Long	*
9	91-2151	Cable Assy., Electric, Short	*
9	91-2152	Cable Assy., Electric, Medium	*
9	91-2153	Cable Assy., Electric, Long	*
10	91-2433	Cable Assy., Pump/Common	1
11	363-2371	Terminal Block, 3-Position	1
12	89-6870	Surge Protector, OSMAC	1
13	91-1865	Cover, Safety, AC	1
14	363-3259	Locknut, 1-1/4"	1
15	363-3258	Conduit Nipple, 1-1/4"	1
16	91-1886	Adapter, OSMAC, 13 x 13, Stainless	1
17	91-1860	Cover, OSMAC	1
18	363-3438	Screw, Machine, 10-32 x 1/2", Stainless	2
19	91-7128	Cabinet Assy., 13 x 13, Stainless (Includes Items 19 and 20)	1
19	91-7129	Cabinet Assy., 13 x 13, Galvanized (Includes Items 19 and 20)	1
20	-----	Door	2
21	363-5369	Lock Assembly w/Keys	2
22	91-1441	Plate, Mounting	2
23	91-1957	PCB Assy., Surge Protection, 8-Station	*
24	363-3313	Terminal Block, 9-Position	*
25	91-1305	PCB Assy., Surge Protection, Common/Pump	1
		* Quantity determined by number of stations	