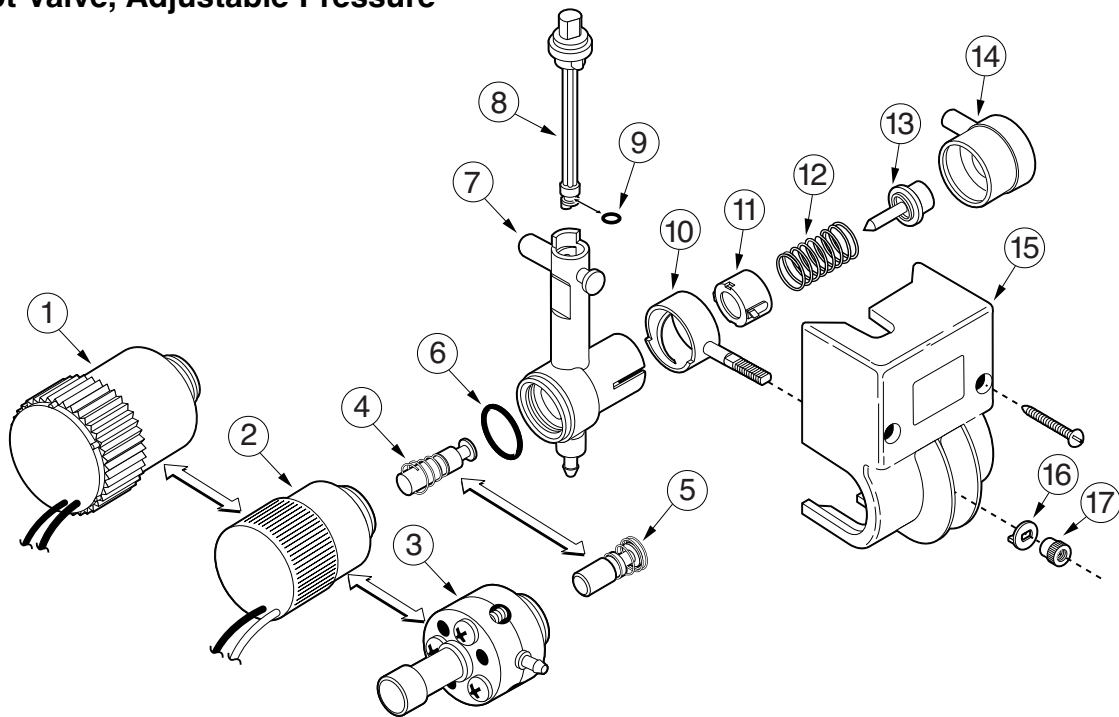


Pilot Valve, Adjustable Pressure



Item No.	Part No.	Description	Quantity Per Assy.
1	102-3443	Solenoid, Low Wattage, w/Surge Protection (Black Wires)	1
1	102-3444	Solenoid, Low Wattage, w/Surge Protection Nickel Plated (Red Wires)	1
1	102-4979	Solenoid, Low Wattage, Decoder, w/Surge Protection (Yellow Wires)	1
2	89-1905	Solenoid, 600/700 Series	1
3	89-6005	Adapter, Pilot Valve, NC	1
4	102-2110	Plunger Assy., EL, Nickel Plated	1
4	35-9993	Plunger Assy., EL	1
5	89-6003	Plunger Assy., NC	1
6	360-0220	O-Ring, 0.070" x 0.551" x 0.254"	1
7	102-4747	Body Assy., Pilot Valve	1
8	102-0343	Selector Cam, Black (Includes item 6)	1
8	102-4831	Selector Cam, Red (Includes item 6)	1
9	1-2035	O-Ring, 0.070" x 0.114" x 0.254"	1
10	102-2237	Adjuster, PSI	1
11	102-2236	Traveling Nut	1
12	102-2235	Spring	1
13	102-2469	Piston	1
14	102-2473	Diaphragm Assy.	1
15	102-2238	Housing, Pilot Valve	1
16	102-2606	Adjustment Locator	1
17	363-4441	Nut, Adjuster	1
		SERVICE ITEMS	
	102-5975	Pilot Valve Assy., Selectable Pressure Less Solenoid, Use w/All Electric Pilot Valve (Includes Items 4[102-2110] & 6-17)	
	102-5974	Pilot Valve Assy., Selectable Pressure w/Low Watt/High Surge Solenoid 800S Series (Includes Items 1[102-3443], 4[35-9993] & 6-17)	
	102-5178	Pilot Valve Assy., Selectable Pressure w/Standard Watt & Surge Solenoid, 600/700 Series (Includes Items 2, 4[35-9993] & 6-17)	
	102-5181	Pilot Valve Assy., Selectable Pressure w/Normally Closed Actuator (Includes Items 3 & 5-17)	
	102-5976	Pilot Valve Assy., Selectable Pressure w/Low Watt/High Surge Nickel Plated (Includes Items 1[102-0312], 4[102-2110] & 6-17)	
	102-5977	Pilot Valve Assy., Selectable Pressure w/Standard Watt/High Surge, Decoder (Includes Items 1[102-4979], 4[35-9993] & 6-17)	