



TORO® PERFORMANCE PARTS SALE CATALOG | 2017



TLCTM

Toro Loyalty Credits

PARTS REWARDS PROGRAM

BUY PARTS. GET CREDIT.

Concerned about budgets? Toro can help. Starting in 2016, TLCTM (Toro Loyalty Counts) is becoming Toro Loyalty Credits. Now you can **earn points every time you buy Toro tires, tines, bedknives, bearings, MVP kits, belts, filters, blades and reels.** Those points turn into annual credit good toward future parts purchases and training, as well as myTurf[®] subscriptions and hardware. Enroll now and start earning today — no membership card, login or password required.

Email TLC@toro.com or contact your local distributor for more information.



WHAT'S NEW?

Within this catalog, you'll find the Genuine Toro® Parts and accessories you'll need to keep your Toro equipment operating at its full potential. Our expanded parts inventory offers:

- Competitive market pricing
- Quality Toro parts that meet the highest standards
- Expanded application guides
- Easy-to-read illustrations

NEW FOR 2017



- EdgeSeries™ Reels Reference Chart
- Featured Section including Batteries and Lubricants
- Roller Section in Quick Reference Guide
- Sprayer Nozzles with Performance Parts Pricing
- Workman™ GTX
- Workman GTX 400 Hour MVP Kit
- Reelmaster™ 3555/3575
- Rear Roller Brush Kits for the Universal Groomer





FEATURED ITEMS

Rollers

Equipment	Description	Part No.	Price Each
	GM 3500/4300/4500/4700 ROLLER ASM - UHMW	131-7800	
	GM3500/GM4300/ GM4500/GM4700 ROLLER ASM	115-3418	

Ballast Kit required when switching to Roller Asm- UHMW" P/N 136-2881 (1 kit per deck)
*Please refer to pg.84-85 for the Rollers Section

Rear Roller Brush Kits

Equipment	Description	Part No.	Price Each
RM3550/3555/5010H	5" UNIVERSAL GROOMER KIT (5)	133-0150	
RM3550/3575/5010H	7" UNIVERSAL GROOMER KIT (5)	133-0151	
RM3550	18" RRB KIT FOR UNIVERSAL GROOMER*	133-0152	
RM3555/5010H	5" X 22" RRB KIT FOR UNIVERSAL GROOMER*	133-0153	
RM3575/5010H	7" X 22" RRB KIT FOR UNIVERSAL GROOMER*	133-0154	
RM3550	18" RRB KIT WITHOUT UNIVERSAL GROOMER*	133-0155	
RM3555/5010H	5" X 22" RRB KIT WITHOUT UNIVERSAL GROOMER*	133-0157	
RM3575/5010H	7" X 22" RRB KIT WITHOUT UNIVERSAL GROOMER*	133-0158	

*For one cutting unit

Lubricants

Now Available! Toro Lubricants see pg. 18-19

Batteries

Equipment	Description	Part No.	Price Each
Greensmaster 3250D/TriFlex 3400 Reelmaster 5200D/5400D/5500D Groundsmaster 225/228/3320/3280D/7200/ 7210/360 Workman MDX-D/3100/HD/HDX/HDX-D/HDX-Auto Multi-Pro 1250/1200 ProForce Debris Blower	DRY BATTERY	106-5187	
Reelmaster 6500D/6700D/7000D Groundsmaster 328D/3000D/5900/5910/4500D/4700D Workman 3100/3200/3300D/4300D/ Multi-Pro 5600D/5700D/5800D/5800G 66" Rake-O-Vac	DRY BATTERY	106-5190	
ProCore Processor HydroJect 3010 Pro Force Debris Blower	DRY BATTERY	108-1260	
Debris Blower Mid Vac Pro Force Debris Blower	BATTERY	SBA13300	
Pro Force Debris Blower	BATTERY - DOOR	121-2756	
Greensmaster TriFlex 3400/3420 Groundsmaster 3500D/3505D/4300D Reelmaster 2000D/3100D/3550/5010-H/5210/5410 (G/D)/5510 (G/D)/5610D	WET BATTERY	104-9979 (Order 132-8621)	

TABLE OF CONTENTS

INTRODUCTION 1-9

QUICK REFERENCE GUIDE

EdgeSeries™ Reels	12-13
Reels	14-15
Lubricants	16-17
MVP Kits	18-34
Bearing Application Guide	36-45
Bedknife Reference Chart.....	46-47
Belt Application Guide	48-52
Blade (Groundsmaster®)	
Application Guide	54-55
Filter Application Guide.....	56-69
Nozzle Application Guide	70-72
Tire Application Guide	74-78
Rollers.....	80-82

GREENSMASTERS

Walk Greensmaster®	
Greensmaster Roller Parts	
500/800/1000/1600/2000/2600	86
Greensmaster 500	87
Greensmaster 800/1000/1600/2000/2600.....	88-93
Greensmaster Flex	
1800/2100 (18/21) and eFlex 1800/2100	94-99
Greensmaster 3000/3100 Series	
Traction Unit Parts	100-101
300/3000 Style 4 Bolt Adjust	
Cutting Units.....	102-105
300/3000 Style SPA (Single Point Adjust)	
Cutting Units.....	106-111
300/3000 Style Cutting Unit Front	
Roller Parts	112
Greensmaster 3200 Series	
Traction Unit Parts	113-114
3200/3050 Style 4 Bolt Adjust	
Cutting Units.....	116-121
3200/3050 Style SPA (Single Point Adjust)	
Cutting Units.....	122-127
DPA (Dual Point Adjust)	
Cutting Units.....	128-131

GREENSMASTERS (cont.)

Greensmaster 3200 Series (cont.)	
Vertical Cutter Assembly.....	132-133
Dethatcher/Tri-Roller/Spiker.....	134-135
Carrier Frame & Lift Pivot Parts	136-139
Hydraulic Hoses	140
TriFlex® And TriFlex Hybrid	
Traction Unit.....	141
Cutting Unit.....	142-143

REELMASTERS

Reelmaster® 216/2000D/2300D/2600D/3100D	
Traction Unit Parts	146-147
Cutting Unit Parts	148-156
Reelmaster 335D/3500D/450D/4000D/4500D	
Traction Unit Parts	158-159
Cutting Unit Parts	160-165
Reelmaster 223D/5100D/5200D/5300D/5500D	
Traction Unit Parts	166-167
Cutting Unit Parts	168-171
Dethatching Reel Parts	172-173
Reelmaster 5010-H/5210/5410/5510/5610	
Traction Unit Parts	174-175
Cutting Unit Parts	176-181
Reelmaster 6500D/6700D	
Traction Unit Parts	182
SPA (Single Point Adjust)	
Cutting Unit Parts	184-189
DPA (Dual Point Adjust)	
Cutting Unit Parts	190-193
Reelmaster 7000D	
Traction Unit Parts	194
Cutting Unit Parts	196-199
Reelmaster 3550D	
Traction Unit Parts	200
Cutting Unit Parts	201-202

GANGMOWERS

Transport Frame.....	206
Reelmaster Reel & Bedbar Parts	208-209
Reelmaster Gear Case Parts	210-211
Gangmower Roller Parts	212
Gangmower Wheel Parts	213



GROUNDMASTERS

Groundsmaster® 200 Series	
Traction Unit Parts	216-217
Cutting Unit Parts	218-223
Groundsmaster 300 Series	
Traction Unit Parts	224-225
Cutting Unit Parts	226-231
Groundsmaster 455D	
Traction Unit Parts	232
126" Quadfloat	
Cutting Unit Parts	234-235
Groundsmaster 580D	
Traction Unit Parts	236-239
Cutting Unit Parts	236-239
Groundsmaster 3000/3000D	
Traction Unit Parts	240
Cutting Unit Parts	244-247
Groundsmaster 3280D/3320	
Traction Unit Parts	241-242
Cutting Unit Parts	244-247
Groundsmaster 3500D/3505D	
Traction Unit Parts	248-249
27" Cutting Unit Parts.....	252-253
Groundsmaster Tier 4 Models	
Traction Unit Parts	250-251
Groundsmaster 4000D/4100D	
Traction Unit Parts	248-249
Cutting Unit Parts	254-255
Groundsmaster 4500D/4700D	
Traction Unit Parts	248-249
27" Cutting Unit Parts.....	252-253
Groundsmaster 4300D	256-257
Groundsmaster 5900/5910	
Traction Unit Parts	258
Cutting Unit Parts	259
Groundsmaster 7200/7210	
Traction Unit Parts	260
Cutting Unit Parts	262-263
Groundsmaster 360 Series	
Traction Unit Parts	264-267

AERATORS

Hydroject® 3000/4000 Series.....	270
ProCore® 440/660/880	271
Tines – 3/8" Mount	272
Tines – 3/4" Mount.....	273-274
Tines – 7/8" And Needle Mount	274-275
Turf Aerator 686/687 Tines	275
ProCore® 648/864/1298	276-277
Tines – 3/8" Mount	278
Tines – 3/4" Mount.....	279-280
Tines – 7/8" And Needle Mount	281
Tines For Competitive Models -	
1/2" & 5/8" Mount	282
ProCore SR Series	283-285

UTILITY VEHICLES/SPRAYERS

Workman® Series	288-291
Multi-Pro®.....	292-295
Trailer Sprayers	295

SPECIALTY EQUIPMENT

Sand Pro®/Infield Pro®	298-302
ProCore® Core Processor	302-303
Line Painter	304
Rake-O-Vac	304
Rake-O-Vac Sweeper	304
Turf Sweeper 4800.....	304
Top Dressers	304
GreensPro	305
HoverPro.....	305
ProStripe	305

PARTS LIST

307

FOR PEACE OF MIND, INSIST ON TORO® GENUINE PARTS



THE TORO GENUINE PARTS PROMISE:

- **Industry Leading Fill Rates** — Your local distributor, supported by Toro's parts network, offers the parts you need when you need them.
- **Part Availability** — Most local distributors deliver parts within 24 hours. Toro backs this promise with 48-hour delivery support.
- **Competitive Pricing** — Toro is comparable to will-fit providers.
- **OEM Quality** — Toro genuine service parts are the same parts used on the original equipment, ensuring maximum performance with less downtime.
- **Unparalleled Customer Service** — Count on dedicated support for your Toro parts needs.
- **Peace of Mind** — With Toro genuine parts, you get the right part with the correct specifications. There's no need to wonder if the part will work.

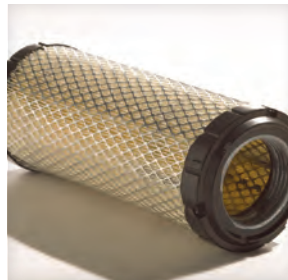
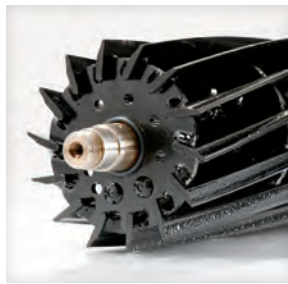
You need parts that will work right the first time, every time. That's why Toro manufactures and stocks only the highest quality parts, made to the exact engineering specifications of our equipment. They're the same parts we use in every machine that comes off our manufacturing line — so every time you use Toro Genuine Parts, you can be confident your equipment will perform at its best. Protect your investment and your peace of mind. Insist on Toro Genuine Parts.



ASAP+

URGENT ORDER? GET NEXT-DAY DELIVERY.

Toro offers the best parts delivery program in the industry. If you need your order at your door the next day, take advantage of our cost-effective, next-day parts delivery service at UPS Standard Ground rates plus \$20. That's an average savings of \$20* in freight compared to UPS Next Day Air service. Simply call your customer service representative at **1-800-803-8676** for ASAP+ delivery on your next order.



UNPARALLELED AVAILABILITY

Toro's nearly 10-acre Wisconsin distribution center offers distributors fast access to over 100,000 parts, so you'll receive your order fast (usually within 24 hours). If your part is not in stock at the distributor, we'll ship it directly to you within 48 hours — because we know how important it is to keep you up and running.

* Freight savings vary by weight and shipping zone. Average savings for a 6-pound shipment is \$16 under UPS next day air retail. Delivery is reliant on freight carrier delivery times (service may not be available in all areas). Orders over 70 pounds will ship next day with full UPS retail charges.



BUSY SERVICE DEPARTMENT?

USE OURS.

Here's another option for peak season maintenance demands.

Toro's certified service technicians are a great option to supplement your in-house service team at tournament time or anytime your facility is running at peak capacity. These highly trained technicians know Toro equipment and use only Toro Genuine Parts, so you can count on them to do the job right. From routine maintenance to heavy jobs you don't want tying up your critical staff, Toro can fill your temporary needs so you don't need to hire more people. Call your local Toro distributor today to schedule your equipment.





TORO PROTECTION PLUS™

EXTENDED PROTECTION PLAN

Run Your Maintenance Budget at Peak Efficiency

The Toro Protection Plus™ (TPP) Extended Protection Plan eliminates the hit your maintenance budget can take when the unforeseen happens. Coverage is available for new equipment, pre-owned equipment, and most Toro attachments and accessories. Just choose the plan that fits your needs.

\$0 deductible for parts & labor on covered repairs | Remaining coverage is transferrable if ownership changes



Learn More: 800-803-8676 | toro.com/tpp



QUICK REFERENCE GUIDE

12	EdgeSeries™ Reels	46	Bedknives	70	Nozzle Application Guide
16	Lubricants	48	Belts	74	Tires
18	MVP Kits	54	Blades (Groundmaster™)	80	Rollers
36	Bearings	56	Filters		

The Toro logo, consisting of the word "TORO" in white, bold, sans-serif capital letters inside a red rounded rectangle.

GENUINE TORO PARTS

A Toro tractor with a reel attachment, shown in a blue-tinted background. The tractor is a compact utility vehicle with a steering wheel and a canopy. The reel is a large, black, curved metal component with sharp teeth, positioned in the foreground. The text "EdgeSeries™ REELS" is overlaid on the image, with "EdgeSeries™" in a smaller font and "REELS" in a very large, bold, white font.

EdgeSeries™ REELS

We Made the Best Even Better

Toro® DPA cutting units have earned a reputation for outstanding performance. Now EdgeSeries™ replacement reels take that performance to the next level with improved steel and longer life. They're designed for less maintenance, less grinding and enhanced efficiency — all while delivering a phenomenal quality of cut.

CONTACT YOUR TORO DISTRIBUTOR TO SEE IF EDGESERIES REELS WILL WORK FOR YOU!



QUICK REFERENCE GUIDE
EDGESERIES™ REELS REFERENCE

Reelmaster Unit	Reel Length	Reel Diameter	Service Limit/Life	Cutting Unit Model	Standard Reels				EdgeSeries™ (ES) Reels		
					5-Blade	7-Blade	8-Blade	11-Blade	5-Blade	8-Blade	11-Blade
3550	18" (457 mm)	5" (127 mm)	4.5" (114 mm)	03911 03480 03485 ES			131-3201 RR			133-0109 RR	
				03912 03481 03486 ES				131-3202 RR		133-0112 FSR	
3550 - Rear Only 3555 5010-H 5410 Low-drag DPA Cutting Units (Aluminum Side Plates)	22" (559 mm)	5" (127 mm)	4.5" (114 mm)	03913 03482 03634 03487 ES 03621 ES			131-3203 RR			132-7109 RR	
				03483 03635 03488 ES 03623 ES				131-3204 RR		132-7112 FSR	
3575 5010-H 5510 / 5610 Low-drag DPA Cutting Units (Aluminum Side Plates)	22" (559 mm)	7" (178 mm)	6.6" (165 mm)	03638 ES					133-8205 RR Service Only	131-6805 RR	
				03639 ES				131-6809 FSR			
				03641 ES						131-6801 FSR	
5210 5410 DPA Cutting Units (Painted Red Side Plates)	22" (559 mm)	5" (127 mm)	4.5" (114 mm)	03661 03694	127-2070 Service Only		127-2065 RR		133-8201 RR		
				03695				127-2066 RR			133-8203 FSR
				03681 03863 03696 03698	127-2077 Service Only		127-2084 RR		133-8209 RR Service Only	133-8211 RR	
03864 03682 03697 03699			127-2085 RR			127-0294 FSR					
03693 ES											
3100 7000 DPA Cutting Units (Painted Red Side Plates)	27" (686 mm)	7" (178 mm)	6.6" (168 mm)	03180		127-2093 RR					
				03710 03181			127-2094 RR				
				03183 03711				127-2095 RR			
	03182 03712	127-2104 Service Only		127-2105 RR							
5 7 11 TDM (Turf Driven Mower) SPA Cutting Units	30" (762 mm)	8" (203 mm)	7.6" (193 mm)	01005	130-0075 RR						
				01007		130-0071 RR					
				01011				130-0081 RR			
5200 5300 5400 4 Bolt Cutting Units	21" (533 mm)	5" (127 mm)	4.5" (114 mm)	03527	130-0088						
				03506 03509 03528			130-0093 RR				

- 1.) Reel blade relief grind angle for all reels: 30° +/- 5°
- 2.) Fairway relief grinding required when land width is greater than 0.125" (3.2 mm)
- 3.) Maximum allowed taper on all reels is 0.010" (.2 mm)

RR: Radial Reel **FSR:** Forward Swept Reel
ES: EdgeSeries™ Cutting Unit

9/1/16

 Service Reel Reference Chart - Greens 											
Greensmaster Unit	Reel Length	Reel Diameter	Service Limit/Life	Cutting Unit Model	Standard Reels				EdgeSeries™ (ES) Reels		
					5-Blade HD	8-Blade	11-Blade	14-Blade	8-Blade	11-Blade	14-Blade
Flex & eFlex 1800 / 1820 (2012 & newer)	18" (457 mm)	5" (127 mm)	4.5" (114 mm)	04253			127-2164	127-2165			
				04254							
				04289 ES					132-7357	132-7358	
				04291 ES							
Flex 18 (2011 & older)	18" (457 mm)	5" (127 mm)	4.5" (114 mm)	04206			127-2156	127-2157			
				04207							
800 Integral Cutting Unit	18" (457 mm)	5" (127 mm)	4.5" (114 mm)	04054 ES						132-7353	132-7354
Flex & eFlex 2100 / 2120 (2012 & newer)	21" (533 mm)	5" (127 mm)	4.5" (114 mm)	04251		127-2200	127-2201	127-2202			
				04252					132-7340	132-7341	132-7342
				04290 ES							
				04292 ES							
Flex 21 (2011 & older)	21" (533 mm)	5" (127 mm)	4.5" (114 mm)	04200							
				04202		127-2174	127-2176	127-2177			
				04208							
1000 / 1010 / 2000 Integral Cutting Unit	21" (533 mm)	5" (127 mm)	4.5" (114 mm)	04036							
				04052		127-2181	127-2182	127-2183			
				04034					132-7312	132-7313	132-7314
				04038 ES							
				04055 ES							
1600 / 1610 / 2600 Integral Cutting Unit	26" (660 mm)	5" (127 mm)	4.5" (114 mm)	04037							
				04060		127-2206	127-2207				
				04035					132-7361	132-7362	
				04039 ES							
				04056 ES							
3000 / 3100 / 3200 / 3300 / 3400 Low Drag DPA Seal Cutting Unit (2012 & newer)	21" (533 mm)	5" (127 mm)	4.5" (114 mm)	04613							
				04614							
				04615		127-2200					
				04618		*8-Blade HD:	127-2201	127-2202			
				04619		130-0120*					
				04624							
				04651 ES					132-7340	132-7341	132-7342
				04652 ES							
				04653 ES							
				04654 ES							
04655 ES											
04656 ES											
3000 / 3100 / 3200 DPA Cutting Units (2011 & older)	21" (533 mm)	5" (127 mm)	4.5" (114 mm)	04610							
				04611	131-2013	127-2193					
				04616		*8-Blade HD:	127-2194	127-2195			
						131-2014*					

- 1.) Reel blade relief grind angle for all reels: 30 +/-
- 2.) Relief grinding required when land width is greater than 0.100" (2.5 mm)
- 3.) Maximum allowed taper on all reels is 0.010" (.2 mm)
- 4.) EdgeSeries Reels standard on 2016 models and newer

HD: Heavy Duty **ES:** EdgeSeries™ Cutting Unit 9/1/16

QUICK REFERENCE GUIDE

STANDARD REEL REFERENCE

Greens

Equipment	Blade Angle	Reel Diameter	Reel Length	Cutting Unit	5-Blade	7-Blade	8-Blade	8-Blade HD	11-Blade	14-Blade	
Greensmaster Flex 1800 and eFlex 1800	Forward-Swept	5"	18"	04253					127-2164	127-2165	
				04254							
Greensmaster Flex 18	Forward-Swept	5"	18"	04206					127-2156	127-2157	
				04207							
Greensmaster 800	Forward-Swept	5"	18"	04054					127-2160	127-2161	
Greensmaster Flex 2100 and eFlex 2100	Forward-Swept	5"	21"	04251			127-2200		127-2201	127-2202	
				04252							
Greensmaster Flex 21	Forward-Swept	5"	21"	04200							
				04202			127-2174		127-2176	127-2177	
				04208							
Greensmaster 1000, 1010, 2000	Forward-Swept	5"	21"	Integral Cutting Unit			127-2181		127-2182	127-2183	
Greensmaster 1600, 1610, 2600	Forward-Swept	5"	26"	Integral Cutting Unit			127-2206		127-2207		
Greensmaster 3300/3400/ and Greensmaster 3000-Series DPA Cutting Units and Greensmaster 3300/3400 Series TriFlex Traction Unit Low Drag Seal DPA	Forward-Swept	5"	21"	04618							
				04613							
				04624			127-2200	130-0120	127-2201	127-2202	
				04614							
				04619							
Greensmaster 3000-Series/ 3050/3100/3150/3250-D DPA Reel Mower	Forward-Swept	5"	21"	04610							
				04611	131-2013		127-2193		127-2194	127-2195	
				04616							
	Radial	5"	21"	04610							
				04616				131-2014			
Greensmaster 3000/3200/ 3250-D 4-Bolt Cutting Unit SPA Reel Mower	Forward-Swept	5"	21"	04470							
				04471							
				04472							
				04473			98-2181		127-2188		127-2189
				04480							
				04481							
	Radial	5"	21"	04482							
				04483							
				04480							
				04481					98-2182		
Greensmaster 3000/3100/ 3000-D 4-Bolt Cutting Unit SPA Reel Mower	Forward-Swept	5"	21"	04407							
				04460							
				04408							
				04450							
				04468							
				04406							
				04465					130-6469		130-6470
				04404							
				04445	130-0088					130-0093	
				04448							
				04458							
04405				12-8779							



Reel Reference Chart

Greensmasters	Diameter	Service Limit	Blade Options	Relief Angle	Land Width
Greensmaster Flex 18/1800/1820, eFlex 18/1800/1820 and Greensmaster 800	5" (127 mm)	4.5" (114 mm)	8, 11, or 14	30° ± 10°	.040 ± .010" (1 ± .2 mm)
Greensmaster 500	3.5" (89 mm)	3.2" (81 mm)	9	30° ± 10°	.040 ± .010" (1 ± .2 mm)
Greensmaster 300 Series 4-bolt Cutting Units	5" (127 mm)	4.5" (114 mm)	8, 11, or 14	30° ± 10°	.040 ± .010" (1 ± .2 mm)
Greensmaster 3000 / 3100 / 3200 / 3300 Series SPA, 4-Bolt, and DPA Cutting Units; Greensmaster Flex 21/2100/2120, eFlex 21/2100/2120 and Greensmaster 1000 / 1010 / 2000	5" (127 mm)	4.5" (114 mm)	5, 8, 11 or 14	30° ± 10°	.040 ± .010" (1 ± .2 mm)
Greensmaster 1600 / 1610 / 2600	5" (127 mm)	4.5" (114 mm)	8 or 11	30° ± 10°	.040 ± .010" (1 ± .2 mm)
Reelmasters	Diameter	Service Limit	Blade Options	Relief Angle	Land Width **
Reelmaster 223D / 5100D / 5200D / 5300D 5400D 4 bolt Cutting Units	5" (127 mm)	4.5" (114 mm)	5 or 8	30° ± 5°	.060" ± .010" (1.5 ± .2 mm)
Reelmaster 3550D DPA Cutting Units	5" (127 mm)	4.5" (114 mm)	8 or 11	30° ± 5°	.060" ± .010" (1.5 ± .2 mm)
Reelmaster 5500D / 6500D / 6700D SPA Cutting Units	7" (178 mm)	6.6" (168 mm)	5, 7 or 11	30° ± 5°	.060" ± .010" (1.5 ± .2 mm)
Reelmaster 5210 / 5410 / 5510 / 5610 / 5010-H and 6500D / 6700D DPA Cutting Units	5" (127 mm)	4.5" (114 mm)	8 or 11	30° ± 5°	.040 ± .010" (1 ± .2 mm)
	7" (178 mm)	6.6" (168 mm)	8 or 11	30° ± 5°	.040 ± .010" (1 ± .2 mm)
Reelmaster 216 / 216D / 2000D / 2300D / 2600D 3100D and Grounds Pro 2000 / 2000D SPA Cutting Units	7" (178 mm)	6.6" (168 mm)	5 or 8	30° ± 5°	.060" ± .010" (1.5 ± .2 mm)
Reelmaster 3100D and 7000D DPA Cutting Units	7" (178 mm)	6.6" (168 mm)	5, 8 or 11	30° ± 5°	.060" ± .010" (1.5 ± .2 mm)
Reelmaster 335D / 3500D / 450D / 4000D / 4500D DPA Cutting units	8" (198 mm)	7.6" (193 mm)	5, 7 or 11	30° ± 5°	.060" ± .010" (1.5 ± .2 mm)
TDM / Gang mowers SPA Cutting Units	8" (198 mm)	7.6" (193 mm)	5 or 7	30° ± 5°	.060" ± .010" (1.5 ± .2 mm)
	7" (178 mm)	6.6" (168 mm)	11		
CT / LT Series	Diameter	Service Limit	Blade Options	Relief Angle	Land Width
CT2120 / 2140 / 2240, LT3240 / LT 3340, Reelmaster 3320D / 3240D / 4240D and T4240	8" (198 mm)	7" (173 mm)	4,6,8 or 10		
	10" (254 mm)*	9" (229 mm)	4,6 or 8		

* 10" (254 mm) is not available on CT2120 / 2140 / 2240 models
 ** Fairway relief grinding required when land width is > than 0.125" (3.2 mm)
 Note: Maximum allowed (radius) taper on all reels is .010" (.2mm)

QUICK REFERENCE GUIDE

LUBRICANTS

Sale Price



Toro Premium All-Season Hydraulic Fluid

108-1178 (5 Gal. Pail)

108-1177 (55 Gal. Drum)

- DESIGNED TO MEET THE NEEDS OF TORO HYDRAULIC SYSTEMS
- SUSTAINED COMPONENT PROTECTION OVER WIDE TEMPERATURES AND ADDITIONAL ANTIWEAR PROTECTION
- EXTENDS FLUID LIFE UNDER HARSH OPERATING CONDITIONS



Toro Premium Synthetic Biodegradable Hydraulic Fluid

119-2157 (5 Gal. Pail)

- PROVIDES LONGER EQUIPMENT LIFE; WILL NOT REACT WITH STEEL OR COPPER ALLOYS
- WORKS WELL WITH SAME ELASTOMERS USED WITH CONVENTIONAL MINERAL OILS
- REDUCED DEPOSIT AND SLUDGE FORMATION



Toro Premium Transmission / Hydraulic Fluid

108-1184 (5 Gal. Pail)

108-1183 (55 Gal. Drum)

- STRONG ANTIWEAR AND EXTREME PRESSURE PROPERTIES
- MULTIPURPOSE CAPABILITY FOR HYDRAULICS, GEARS & CLUTCHES
- PROTECTS EQUIPMENT IN WET OR HUMID ENVIRONMENTS AND PREVENTS PREMATURE WEAR



Toro Premium ATF Automatic Transmission Fluid

108-1185 (55 Gal. Drum)

- PROVIDES EXCELLENT OXIDATION AND FRICTION STABILITY
- CONTAINS ANTIWEAR PROPERTIES AND LOW TEMPERATURE FLUIDITY
- SUPPORTS SMOOTH AND EFFICIENT TRANSMISSION



Toro All-Purpose Grease

108-1190 (14 oz.)

- REDUCES POTENTIAL FOR ENVIRONMENTAL DAMAGE
- EXCELLENT ANTIWEAR/EP PROPERTIES
- HIGH VISCOSITY INDEX AND LOW POUR POINT



Toro Synthetic Grease ISO 220

125-3511 (3 oz.)

- OUTSTANDING HIGH TEMPERATURE AND LOW TEMPERATURE PERFORMANCE
- EXCELLENT PROTECTION AGAINST WEAR, RUST AND CORROSION
- EXTENDED SERVICE LIFE WITH LONGER INTERVALS BETWEEN RELUBRICATION



Toro Fuel Treatment

131-6572 (12 oz.)

- KEEPS FUEL FRESH FOR UP TO 12+ MONTHS, PERFECT FOR SEASONAL EQUIPMENT
- KEEPS FUEL SYSTEMS CLEAN; CLEANS ENGINES FROM THE INSIDE
- PREVENTS CORROSION; COMPATIBLE WITH E10 FUEL



Toro Premium Engine Oil SAE 30

108-1197 (5 Gal. Pail)

108-1196 (55 Gal. Drum)

- APPROVED BY TORO ENGINEERING FOR USE IN TORO EQUIPMENT
- MONOGRADE FLUID DESIGNED TO ENDURE HIGH TEMPERATURES IN AIR COOLED ENGINES
- FORMULATED WITH UNIQUE ADDITIVES DESIGNED TO KEEP ENGINES CLEAN



Toro Premium Engine Oil 10W-30

121-6393 (5 Gal. Pail)

121-6392 (55 Gal. Drum)

- FORMULATED FOR GASOLINE AND DIESEL ENGINES
- MEETS OEM ENGINE MANUFACTURERS REQUIREMENTS FOR MODERATE CLIMATES
- BUILT-IN CORROSION PROTECTION



Toro Premium Engine Oil 15W-40

121-6395 (5 Gal. Pail)

121-6394 (55 Gal. Drum)

- FORMULATED FOR GASOLINE AND DIESEL ENGINES
- GREATER ENGINE EFFICIENCY, LONG ENGINE LIFE AND LONG OIL LIFE
- MAINTAINS VISCOSITY IN SEVERE, HIGH TEMPERATURE SERVICE FOR GREATER WEAR PROTECTION



Toro Premium All-Season Gear Lube 80W-90

108-1590 (Quart)

108-1187 (5 Gal. Pail)

- WIDE MULTIPURPOSE CAPABILITY
- REDUCED WEAR AND EASE OF START-UP AND COMPONENT LIFE
- EXCELLENT THERMAL STABILITY AND RESISTANCE TO HIGH TEMPERATURE OXIDATION



Toro Premium All-Season Gear Lube 85W-140

108-1591 (Quart)

- PROTECTION AGAINST LOW SPEED/HIGH TORQUE WEAR
- EFFECTIVE LOW TEMPERATURE LUBRICATION
- EXTENDED GEAR AND BEARING LIFE DUE TO MINIMAL DEPOSIT



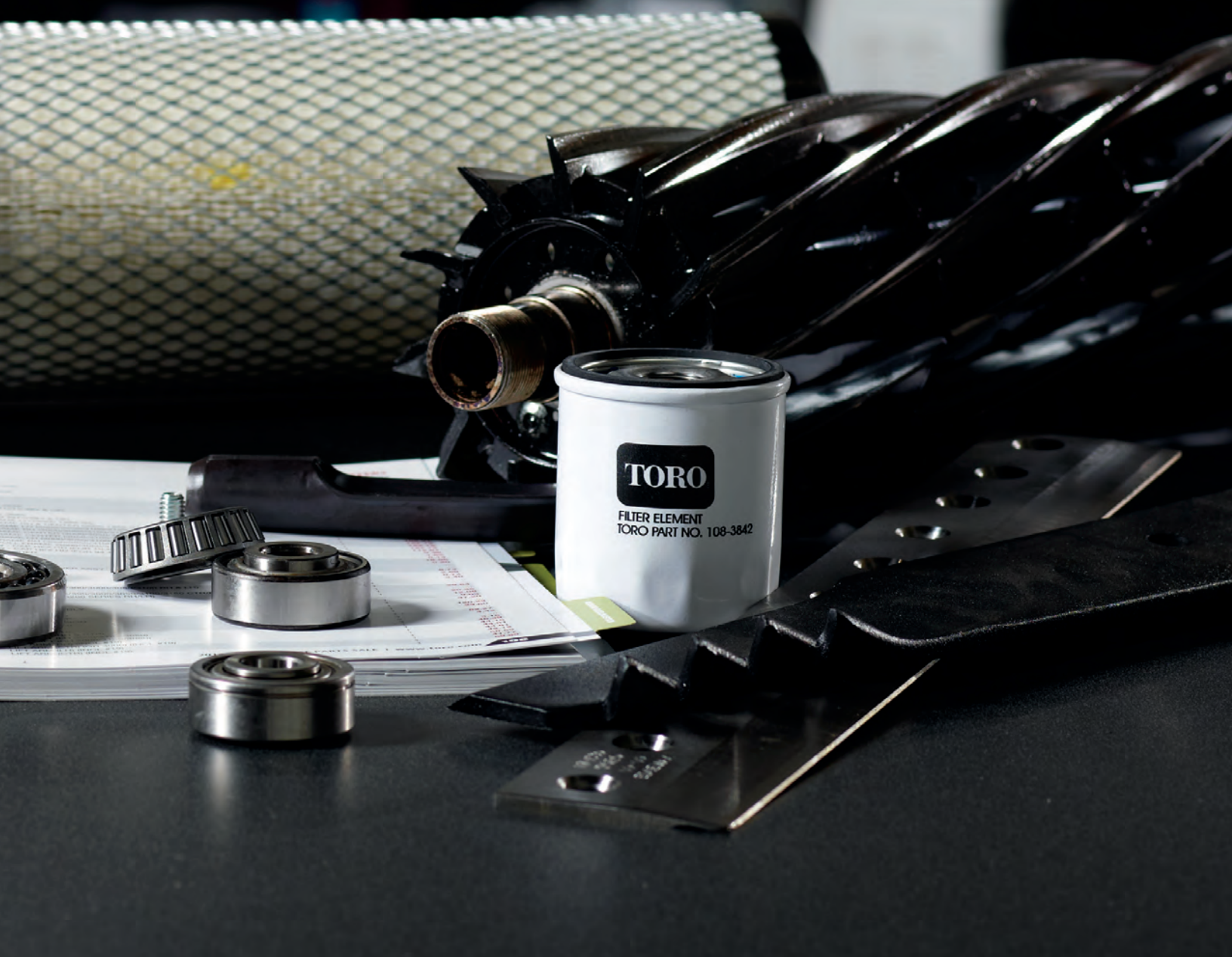
Toro Premium Full Synthetic Gear & Bearing Oil

104-8772 (Quart)

- EXTENDS EQUIPMENT HIGH TEMPERATURE OPERATING CAPABILITY TO REDUCE MAINTENANCE COSTS
- REDUCES FRICTION AND INCREASES WEAR EFFICIENCY
- APPROVED BY TORO ENGINEERING FOR TORO EQUIPMENT



MVP KITS



QUICK REFERENCE GUIDE

MVP KITS

Cutting Unit Overhaul Kits

Part No.	Description	Qty.	Sale Price
130-0105	GR Flex 18/21 (2004-2011) Reel Overhaul Kit		
20-9500	WASHER	1	
107-3233	SEAL - OIL	4	
108-3162	SPACER	1	
107-3238	V-RING	2	
13-3659	GR 300/3000 Style (1985-01) Cutting Unit Overhaul Kit		
237-77	O-RING	2	
253-61	SEAL-OIL	1	
253-96	SEAL-OIL	2	
254-72	BEARING-CUP	2	
254-94	BEARING-CONE	2	
52-2890	BUSHING-NYLON	4	
52-2900	WASHER-PLASTIC	2	
119-4151	SCREW-SPECIAL	13	
57-5280	BEARING - CUP & CONE	2	
62-5510	BUSHING-RUBBER	2	
63-9510	BUSHING	2	
107-1590	GR 300/3000 Style (1985-01) Reel Overhaul Kit		
253-61	SEAL-OIL	1	
253-96	SEAL-OIL	2	
254-72	BEARING-CUP	2	
254-94	BEARING-CONE	2	
3296-60	NUT-LOCK	1	
107-1598	GR 300/3000 Style (2002 & Up) Reel Overhaul Kit		
104-3388	SEAL-GREASE	2	
253-61	SEAL-OIL	1	
254-72	BEARING-CUP	2	
254-94	BEARING-CONE	2	
3296-60	NUT-LOCK	1	
121-2637	DPA Adjusters MVP Kit GR Flex/eFlex 1800 & 2100/3000/3300/3400		
106-5363	SHAFT-ADJUSTER	2	
106-5344	BUSHING-FLANGED, KEYED	4	
119-4164	WASHER-WAVE	2	
32120-93	RING-RETAINING	2	
115-7039	SCREW-ADJUSTER, BEDBAR	2	
119-4155	WASHER-HARDENED	2	
119-4156	SPRING-COMPRESSION	2	
119-4039	NUT-HEX, NI	2	
99-2097	DETENT	2	
119-4067	SCREW-HH	2	

Part No.	Description	Qty.	Sale Price
106-6392	Greensmaster Dethatching Reel Blade Pack		
106-6355	BLADE-11 TOOTH (CARBIDE)	108	
13-3649	RM 216 & Grounds Pro 2000 Cutting Unit Overhaul Kit		
253-84	SEAL-OIL	1	
257-6	BEARING-THRUST	2	
52-2890	BUSHING-NYLON	2	
56-9510	BUSHING ASM	2	
56-9520	BUSHING-FLANGED	2	
119-4151	SCREW-SPECIAL	10	
62-5510	BUSHING-RUBBER	2	
94-3405	BEARING-BALL	2	
107-1590	RM 5100D/5200D/5300D/5400D (1990-01) Reel Overhaul Kit		
253-61	SEAL-OIL	1	
253-96	SEAL-OIL	2	
254-72	BEARING-CUP	2	
254-94	BEARING-CONE	2	
3296-60	NUT-LOCK	1	
106-9605	RM 5500D/6500D/6700D SPA Bedbar Overhaul Kit		
106-7536	BEDBAR ADJUSTER ASSEMBLY	1	
107-7409	PIN-PIVOT, BEDBAR	1	
29-8910	WASHER	2	
302-18	FITTING-GREASE	1	
3230-2	BOLT-CARRIAGE	4	
3256-74	WASHER-FLAT	4	
3296-29	NUT-LOCK	4	
3296-62	NUT-LOCK	1	
52-2890	BUSHING-NYLINER	2	
62-5510	BUSHING-RUBBER	2	
93-2959	SPACER-ADJUSTER	1	
93-7501	BUSHING ASSEMBLY	2	
93-7502	BUSHING-FLANGED	2	
95-0772	SPRING-COMPRESSION	1	
95-8752	ARM-SPRING	1	
13-3679	RM 335D/450D Cutting Unit Overhaul Kit		
256-113	BUSHING-FLANGE	2	
256-252	BEARING-FLANGE	2	
256-292	BUSHING-NYLINER	4	
32151-71	RING-RETAINING	1	
3257-3	KEY-WOODRUFF	1	
48-8880	PIN-DOWEL	2	
119-4151	SCREW-SPECIAL	10	
59-6140	BEARING	2	
62-6110	BUSHING ASM	4	
76-3580	SPACER-BEDBAR	2	
93-1414	SEAL-GREASE	3	

Cutting Unit Overhaul Kits - continued

Part No.	Description	Qty.	Sale Price
95-4389	RM 3500D/4000D/4500D Cutting Unit Overhaul Kit		
256-252	BEARING-FLANGE	2	
256-292	BUSHING-NYLINER	4	
32151-71	RING-RETAINING	1	
48-8880	PIN-DOWEL	2	
119-4151	SCREW-SPECIAL	10	
59-6140	BEARING	2	
62-6110	BUSHING ASM	4	
75-7570	KEY	1	
76-3580	SPACER-BEDBAR	2	
92-9250	SEAL-GREASE	1	
92-9251	SLEEVE-WEAR	1	
92-9252	BUSHING-FLANGE	2	
93-1414	SEAL-GREASE	2	
13-3629	RM Gangmower Cutting Unit Overhaul Kit		
105-0150	SEAL-GREASE	2	
106-5408	GASKET-COVER	2	
106-5409	GASKET-GEAR CASE	2	
237-21	O-RING	2	
237-38	O-RING	2	
253-117	SEAL-OIL	2	
253-122	SEAL-OIL	2	
253-84	SEAL-OIL	2	
254-72	BEARING-CUP	2	
254-78	BEARING-CONE	4	
254-79	BEARING-CUP	4	
254-94	BEARING-CONE	2	
257-5	WASHER-THRUST	4	
257-6	BEARING-THRUST	2	
47-5640	SPACER-RUBBER	2	
119-4151	SCREW-SPECIAL	11	
68-7530	BUSHING	2	
68-9970	GUARD-SEAL	2	
84-8200	SEAL-OIL	2	
120-7230	HD DPA MVP Kit RM 3100D/3550/3555 5010-H/5210/5410/5510/5610/6000D7000D		
120-5118	BEARING-FLANGE	2	
120-5116	BUSHING-NYLINER	2	
106-5344	RING-RETAINING	4	
108-0015	PIN-DOWEL	2	
3296-33	SCREW-SPECIAL	2	
115-7039	BEARING	2	
119-4155	BUSHING ASM	2	
120-5120	KEY	2	
119-4039	SPACER-BEDBAR	2	

Rear Roller Brush Kits for Universal Groomer

Part No.	Description	Qty.	Sale Price
133-0150	5" RM UNIVERSAL GROOMER KIT		
133-0151	7" RM UNIVERSAL GROOMER KIT		
133-0152	RM3550 RRB KIT (FOR UNIVERSAL GROOMER)		
133-0155	RM3550 RRB KIT ONLY		
133-0153	RM3555/5010H 5" RRB KIT (FOR UNIVERSAL GROOMER)		
133-0157	RM3555/5010H 5" RRB KIT ONLY		
133-0154	RM3575/5010H 7" RRB KIT (FOR UNIVERSAL GROOMER)		
133-0158	RM3575/5010H 7" RRB KIT ONLY		

Seal Kits

Part No.	Description	Qty.	Sale Price
117-2727	Hydraulic Connector O-Rings Seal Kit		
237-21	9/16" ORFS	10	
237-22	11/16" ORFS	10	
237-30	13/16" ORFS	10	
237-65	1" ORFS	10	
237-58	1-3/16" ORFS	10	
340-65	1-7/16" ORFS	10	
237-156	5/16" SAE	10	
237-78	7/16" SAE	10	
237-42	9/16" SAE	10	
237-79	3/4" SAE	10	
237-80	7/8" SAE	10	
237-81	1-1/16" SAE	10	
237-146	1-5/16" SAE	10	
93-4132	1/2" (HYD TRANS END CAP)	10	
237-54	3/4" (HYD RELIEF CARTRIDGE)	10	
237-38	1-3/4" (GR 500 CLUTCH & RM GANGMOWER GEAR CASE)	10	
93-9783	2-7/8" (HYD MOTOR MOUNTING)	10	
237-161	3-1/4" (TRANSMISSION MOUNTING)	10	
353-949	3-1/4" (HYD MOTOR MOUNTING)	10	
237-95	3-3/4" (HYD TRANS CHARGE PUMP)	10	
237-158	4" (HYD MOTOR MOUNTING)	10	
108-3263	Multi Pro Open Boom Sprayer Seal Kit		
108-3266	SEAL KIT	1	
108-3267	SEAL KIT	1	
108-3268	SEAL KIT	1	
106-6937	DPA Reel Seal Kit		
106-6927	SLEEVE	2	
106-6926	SEAL	2	
253-134	SEAL	2	
106-6929	V-RING	2	
104-0532	WASHER-PULLEY	1	

QUICK REFERENCE GUIDE

MVP KITS

Bearing Kits

Part No.	Description	Qty.	Sale Price
121-9517	GR Flex 18/21 (2012 & Up) GR 3300/3400 (2011 & Up) Groomer Rebuild Kit		
107-8105	BEARING-BALL, EXTENDED RACE	3	
106-8530	SEAL-GREASE	3	
120-3237	O-RING	1	
360-0398	O-RING	1	
251-259	BEARING-BALL	2	
104-4727	RING-RETAINING	1	
104-4705	BELT-GROOMER	1	
110-4086	RM 5210/5410/5510/5610 RM 6500D/6700D DPA Groomer & Rear Roller Brush Bearing Kit		
105-0965	BEARING-BALL	6	
95-0707	BEARING-SELF ALIGNING	1	
106-8530	SEAL-GREASE	3	
108-4172	SEAL-EXCLUDER	1	
108-2132	ProCore 648 Coring Head Bearing Kit		
106-8871	BEARING-BALL	6	
105-0965	BEARING-BALL	6	
251-311	BEARING-BALL	24	
106-8872	RING-RETAINING	6	

Cutting Unit Hydraulic Hose Kits

Part No.	Description	Qty.	Sale Price
98-0642	GR 3000/3050/3100 Cutting Unit Hydraulic Hose Kit		
95-5984	HYDRAULIC HOSE ASSEMBLY	1	
95-5985	HYDRAULIC HOSE ASSEMBLY	1	
95-5986	HYDRAULIC HOSE ASSEMBLY	1	
95-5987	HYDRAULIC HOSE ASSEMBLY	1	
95-5988	HYDRAULIC HOSE ASSEMBLY	1	
95-5989	HYDRAULIC HOSE ASSEMBLY	1	
117-2725	GR 3150 Cutting Unit Hydraulic Hose Kit (2006 & UP)		
105-5400	HYDRAULIC HOSE ASSEMBLY	1	
105-5401	HYDRAULIC HOSE ASSEMBLY	1	
105-5402	HYDRAULIC HOSE ASSEMBLY	1	
95-2908	HYDRAULIC HOSE ASSEMBLY	2	
105-5404	HYDRAULIC HOSE ASSEMBLY	1	
106-9674	HYDRAULIC HOSE ASSEMBLY	1	
105-5405	HYDRAULIC HOSE ASSEMBLY	1	
95-2909	HYDRAULIC HOSE ASSEMBLY	1	
237-30	O-RING	6	
237-65	O-RING	6	

Cutting Unit Hydraulic Hose Kits - continued

Part No.	Description	Qty.	Sale Price
117-2721	GR 3250D Cutting Unit Hydraulic Hose Kit (2006 & UP)		
106-9674	HYDRAULIC HOSE ASSEMBLY	2	
95-2908	HYDRAULIC HOSE ASSEMBLY	2	
95-2909	HYDRAULIC HOSE ASSEMBLY	2	
95-2907	HYDRAULIC HOSE ASSEMBLY	2	
105-5405	HYDRAULIC HOSE ASSEMBLY	1	
237-30	O-RING	12	
237-21	O-RING	6	
117-2724	RM 3100D SPA Cutting Unit 1999-2009 Hydraulic Hose Kit		
95-8836	HYDRAULIC HOSE ASSEMBLY	2	
95-8835	HYDRAULIC HOSE ASSEMBLY	2	
95-8837	HYDRAULIC HOSE ASSEMBLY	2	
95-8826	HYDRAULIC HOSE ASSEMBLY	1	
95-8827	HYDRAULIC HOSE ASSEMBLY	1	
95-8828	HYDRAULIC HOSE ASSEMBLY	1	
117-2723	RM 4000D Cutting Unit Hydraulic Hose Kit		
98-7401	HYDRAULIC HOSE ASSEMBLY	1	
60-3340	HYDRAULIC HOSE ASSEMBLY	1	
98-7400	HYDRAULIC HOSE ASSEMBLY	1	
98-7403	HYDRAULIC HOSE ASSEMBLY	4	
58-5730	HYDRAULIC HOSE ASSEMBLY	1	
98-7404	HYDRAULIC HOSE ASSEMBLY	2	
104-9317	RM 5200D/5400D Cutting Unit Hydraulic Hose Kit		
100-3876	HYDRAULIC HOSE ASSEMBLY	1	
100-3877	HYDRAULIC HOSE ASSEMBLY	1	
100-3878	HYDRAULIC HOSE ASSEMBLY	1	
100-3879	HYDRAULIC HOSE ASSEMBLY	1	
104-0057	HYDRAULIC HOSE ASSEMBLY	1	
104-0069	HYDRAULIC HOSE ASSEMBLY	1	
104-9321	HYDRAULIC HOSE ASSEMBLY	1	
104-9322	HYDRAULIC HOSE ASSEMBLY	1	
104-9323	HYDRAULIC HOSE ASSEMBLY	1	
98-4583	HYDRAULIC HOSE ASSEMBLY	2	
98-4584	HYDRAULIC HOSE ASSEMBLY	1	
98-4587	HYDRAULIC HOSE ASSEMBLY	1	
3290-379	TIE-CABLE	10	
99-5617	SLEEVE-PROTECTIVE	1	
99-5648	SLEEVE-PROTECTIVE	4	
237-30	SEAL - O-RING	20	
237-21	SEAL - O-RING	10	

Cutting Unit Hydraulic Hose Kits - continued

Part No.	Description	Qty.	Sale Price
117-2720	RM 5210/5410/5510/5610 Cutting Unit Hydraulic Hose Kit (2008-2009)		
106-3672	HYDRAULIC HOSE ASSEMBLY	4	
98-4590	HYDRAULIC HOSE ASSEMBLY	2	
114-8868	HYDRAULIC HOSE ASSEMBLY	4	
106-3680	HYDRAULIC HOSE ASSEMBLY	2	
104-3669	HYDRAULIC HOSE ASSEMBLY	1	
106-3670	HYDRAULIC HOSE ASSEMBLY	1	
106-3671	HYDRAULIC HOSE ASSEMBLY	1	
3334-945	TIE-CABLE	15	
237-30	O-RING (ORFS - 8)	20	
237-21	O-RING (ORFS - 4)	10	
119-6955	RM 5210/5410/5510/5610 (2010+) Cutting Unit Hydraulic Hose Kit		
114-0633	HYDRAULIC HOSE ASSEMBLY	5	
98-4590	HYDRAULIC HOSE ASSEMBLY	2	
117-5188	HYDRAULIC HOSE ASSEMBLY	4	
106-3680	HYDRAULIC HOSE ASSEMBLY	2	
117-5190	HYDRAULIC HOSE ASSEMBLY	1	
106-3670	HYDRAULIC HOSE ASSEMBLY	1	
3334-945	TIE-CABLE	15	
237-30	O-RING (ORFS - 8)	10	
237-21	O-RING (ORFS - 4)	10	
237-65	O-RING (ORFS - 10)	10	
104-9314	RM 5500D Reel Drive Hose Kit		
104-0069	HYDRAULIC HOSE ASSEMBLY	4	
104-0057	HYDRAULIC HOSE ASSEMBLY	4	
104-0068	HYDRAULIC HOSE ASSEMBLY	1	
104-0067	HYDRAULIC HOSE ASSEMBLY	1	
104-0064	HYDRAULIC HOSE ASSEMBLY	1	
104-0058	HYDRAULIC HOSE ASSEMBLY	2	
104-0063	HYDRAULIC HOSE ASSEMBLY	2	
3290-379	TIE-CABLE	10	
237-30	O-RING (ORFS - 8)	20	
237-21	O-RING (ORFS - 4)	5	
237-22	O-RING (ORFS - 6)	2	
105-0139	RM 6500D/6700D (5 Units) Cutting Unit Hydraulic Hose Kit		
105-7901	HYDRAULIC HOSE ASSEMBLY	4	
105-7902	HYDRAULIC HOSE ASSEMBLY	2	
105-7903	HYDRAULIC HOSE ASSEMBLY	4	
92-7559	HYDRAULIC HOSE ASSEMBLY	2	
92-7560	HYDRAULIC HOSE ASSEMBLY	1	
99-5614	HYDRAULIC HOSE ASSEMBLY	2	
237-21	O-RING	10	
237-30	O-RING	20	
3253-4	WASHER-LOCK	6	

Cutting Unit Hydraulic Hose Kits - continued

Part No.	Description	Qty.	Sale Price
3290-379	TIE-CABLE	10	
33114-020	SCREW-HH	6	
99-5617	SLEEVE-PROTECTIVE	5	
99-5621	GUIDE-HOSE	3	
105-0140	RM 6700D (2 Wing Units) Cutting Unit Hydraulic Hose Kit		
105-7900	HYDRAULIC HOSE ASSEMBLY	4	
94-1433	HYDRAULIC HOSE ASSEMBLY	2	
237-21	O-RING	4	
237-30	O-RING	8	
3253-4	WASHER-LOCK	4	
3290-378	TIE-CABLE	4	
33114-020	SCREW-HH	4	
3334-945	TIE-CABLE	2	
100-3814	SLEEVE-PROTECTIVE	2	
99-5621	GUIDE-HOSE	2	

Roller Rebuild Kits

Part No.	Description	Qty.	Sale Price
107-1588	GR 800/1000/1600 Roller Rebuild Kit		
302-5	FITTING-GREASE	2	
52-3180	BEARING-ROLLER	2	
107-1589	GR 3/300/ Style Wiehle Roller Rebuild Kit		
302-57	FITTING-GREASE	2	
52-3180	BEARING-ROLLER	2	
107-1588	GR 3/300/3000 Style Roller Rebuild Kit		
302-5	FITTING-GREASE	2	
52-3180	BEARING-ROLLER	2	
107-1591	GR 3200 Style (1995-98) Roller Rebuild Kit		
302-5	FITTING-GREASE	2	
93-2525	RING-RETAINING	2	
93-2559	BEARING-BALL	2	
107-1593	GR 3200 Style (1999-00) Roller Rebuild Kit		
302-5	FITTING-GREASE	2	
32151-12	RING-RETAINING	2	
85-7190	WASHER-SHIELD	2	
85-9970	BEARING-BALL	2	

QUICK REFERENCE GUIDE

MVP KITS

Roller Rebuild Kits - continued

Part No.	Description	Qty.	Sale Price	Part No.	Description	Qty.	Sale Price
107-1594	GR DPA (2004 & Up) Roller Rebuild Kit			114-5430	RM 5010-H/5210/5410/5510/5610/6500D67 00D (2008 & Up) Roller Rebuild Kit		
106-6941	SEAL	2		114-3717	SEAL-INNER	2	
106-6942	V-RING	2		112-5290	BEARING-BALL	2	
251-347	BEARING-BALL	2		112-7494	SEAL-OUTER	4	
107-8133	WASHER-FLAT	2		114-5411	NUT - BEARING LOCK	2	
107-3505	SPACER-TOOL, ROLLER	2					
104-6126	WASHER-FLAT	2		106-9606	RM 5500D/6500D/6700D SPA RM 6500D/6700D DPA (2007) Roller Rebuild Kit		
106-9627	GR DPA Rear Roller Brush Rebuild Kit			109966	BEARING-BALL	2	
106-9626**	SHAFT	1		253-70	SEAL-OIL	2	
105-6792	BRUSH-ROLLER	1		32120-62	RING-RETAINING	2	
104-1830	BOLT-J	2		93-1251	SEAL-INNER	2	
3296-2	NUT-LOCK	2		93-1252	SEAL-OUTER	2	
106-9607	Grounds Pro 2000 RM 216/2000/2300/2600/3100 Roller Rebuild Kit			93-2931	WASHER-ROLLER	2	
105-0150	SEAL-GREASE	2		93-3007	SEAL-OIL	2	
253-152	SEAL-OIL	2					
254-78	BEARING-CONE	2		106-9627	RM 5200D/5400D RM 5500D/6500D/6700D SPA Rear Roller Brush Rebuild Kit		
254-79	BEARING-CUP	2		106-9626	SHAFT	1	
107-1592	RM 223D/5100D/5200D/5300D/ 5400D (1990-2000) Front Roller Rebuild Kit			105-6792	BRUSH-ROLLER	1	
302-57	FITTING-GREASE	2		104-1830	BOLT-J	2	
75-1290	BEARING-ROLLER	2		3296-2	NUT-LOCK	2	
107-1593	RM 5100D/5200D/5300D/5400D (1993-2000) Rear Roller Rebuild Kit			107-1595	GM 3500D/4500D/4700D (2000-03) Roller Rebuild Kit		
302-5	FITTING-GREASE	2		251-347	BEARING-BALL	2	
32151-12	RING-RETAINING	2		32120-15	RING-SNAP	2	
85-7190	WASHER-SHIELD	2		99-3842	SEAL-OIL	2	
85-9970	BEARING-BALL	2		106-9606	GM 3500D/3505D/4500D/4700D (2003-07) Roller Rebuild Kit		
107-1592	RM 223D/5100D/5200D/5300D/ 5400D Dethatching Reel Roller Rebuild Kit			109966	BEARING-BALL	2	
302-57	FITTING-GREASE	2		253-70	SEAL-OIL	2	
75-1290	BEARING-ROLLER	2		32120-62	RING-RETAINING	2	
106-9606	RM 5200D/5400D (01 & Up) RM 5210/5410/5510/5610 (06-07) Roller Rebuild Kit			93-1251	SEAL-INNER	2	
109966	BEARING-BALL	2		93-1252	SEAL-OUTER	2	
253-70	SEAL-OIL	2		93-2931	WASHER-ROLLER	2	
32120-62	RING-RETAINING	2		93-3007	SEAL-OIL	2	
93-1251	SEAL-INNER	2		114-5430	GM 3500D/3505D/4500D/4700D (2007 & Up) Roller Rebuild Kit		
93-1252	SEAL-OUTER	2		114-3717	SEAL-INNER	2	
93-2931	WASHER-ROLLER	2		112-5290	BEARING-BALL	2	
93-3007	SEAL-OIL	2		112-7494	SEAL-OUTER	4	
				112-5411	NUT - BEARING LOCK	2	

Groundsmaster® Deck Kits

Part No.	Description	Qty.	Sale Price
95-3078	GM 200 Series 52"/132 cm RD/SD Spindle Kit		
27-0870	SPINDLE ASSEMBLY	1	
32128-21	NUT-HEX FLANGE	6	
3231-22	SCREW-CARRIAGE	6	
3256-24	WASHER-FLAT	6	
72-9361	CUP-ANTI SCALP	1	
92-5816	BOLT-BLADE	1	
95-3079	GM 200 Series 62"/158 cm SD Spindle Kit		
44-6370	SPINDLE ASSEMBLY	1	
32128-21	NUT-HEX FLANGE	6	
3231-22	SCREW-CARRIAGE	6	
3256-24	WASHER-FLAT	6	
72-9361	CUP-ANTI SCALP	1	
92-5816	BOLT-BLADE	1	
95-3081	GM 200 Series 62"/158 cm Guardian Spindle Kit		
253-139	SEAL-OIL	2	
27-0960	BEARING SET	1	
302-2	FITTING-GREASE	1	
32128-21	NUT-HEX FLANGE	6	
3231-27	SCREW-CARRIAGE	6	
3256-24	WASHER-FLAT	6	
32146-20	NUT-LOCK	1	
61-4160	HOUSING-SPINDLE	1	
27-5970	SPACER-SPINDLE SHAFT	1	
72-9361	CUP-ANTI SCALP	1	
92-5604	SHAFT-SPINDLE	1	
92-5606	SPACER-SPINDLE SHAFT	1	
92-5607-03	PULLEY & HUB ASSEMBLY	1	
92-5816	BOLT-BLADE	1	

Part No.	Description	Qty.	Sale Price
95-3080	GM 200 Series 72"/183 cm SD Spindle Kit		
57-0260	SPINDLE ASSEMBLY	1	
32128-21	NUT-HEX FLANGE	6	
3231-22	SCREW-CARRIAGE	6	
3256-24	WASHER-FLAT	6	
72-9361	CUP-ANTI SCALP	1	
92-5816	BOLT-BLADE	1	
95-3089	GM 300 Series 72"/183 cm RD/SD Left Spindle Kit		
84-2030	SPINDLE ASSEMBLY	1	
32128-21	NUT-HEX FLANGE	8	
3234-1	SCREW-HEX FLANGE	6	
3234-11	SCREW-HEX FLANGE	2	
3256-24	WASHER-FLAT	8	
95-3090	GM 300 Series 72"/183 cm RD/SD Center Spindle Kit		
84-2040	SPINDLE ASSEMBLY	1	
32128-21	NUT-HEX FLANGE	8	
3234-1	SCREW-HEX FLANGE	8	
3256-24	WASHER-FLAT	8	
95-3095	GM 300 Series 72"/183 cm RD/SD Right Spindle Kit		
84-2050	SPINDLE ASSEMBLY	1	
32128-21	NUT-HEX FLANGE	8	
3234-1	SCREW-HEX FLANGE	6	
3234-11	SCREW-HEX FLANGE	2	
3256-24	WASHER-FLAT	8	
95-3091	GM 300 Series 72"/183 cm Guardian Spindle Kit		
17-5979**	SPINDLE ASSEMBLY	1	
32128-21	NUT-HEX FLANGE	6	
3231-27	SCREW-CARRIAGE	6	
3256-24	WASHER-FLAT	6	
72-9361	CUP-ANTI SCALP	1	
119-4778	GM 3280D/3320 Side Discharge Spindle Kit		
104-3546	PULLEY-DRIVEN	1	
108-1991	SPINDLE HOUSING ASSEMBLY	1	
108-1956	SPINDLE SHAFT ASSEMBLY	1	
104-3564	SEAL - V-RING	1	
104-8322	WASHER-HARDENED	1	
106-7159	O-RING	1	
3296-60	NUT-LOCK	1	
69-6950	SPACER-SPINDLE SHAFT	1	

QUICK REFERENCE GUIDE

MVP KITS

Groundsmaster® Deck Kits - continued

Part No.	Description	Qty.	Sale Price
119-4776	GM 3280D/3320/4000D/4100D GM 360/3400/4010/7200/7210 RD/Guardian Spindle Kit		
104-3546	PULLEY-DRIVEN	1	
119-4546	SPINDLE HOUSING ASSEMBLY	1	
104-3554	SPINDLE SHAFT ASSEMBLY	1	
104-3564	SEAL - V-RING	1	
104-8322	WASHER-HARDENED	1	
106-7159	O-RING	1	
3296-60	NUT-LOCK	1	
69-6950	SPACER-SPINDLE SHAFT	1	
115-3435	GM3500D/3500G/3505D/4500D/4700D Spindle Kit		
100-5703	SPACER AND BEARING ASSEMBLY	1	
100-5705	SPINDLE SHAFT ASSEMBLY	1	
253-154	SEAL-OIL	2	
69-6950	SPACER-SPINDLE SHAFT	1	
100-5709	NUT-SPINDLE, SPECIAL	1	
302-62	FITTING-GREASE	2	
94-2703	PLUG	1	
505-7	GREASE 2oz		
69-8400	GM 580D, All Decks (1989-2001), Wing Deck (2002 & UP) Spindle Kit		
302-2	FITTING-GREASE	1	
69-8390-03	PULLEY ASSEMBLY	1	
110-3285	SPINDLE SHAFT ASSEMBLY	1	
253-154	SEAL-OIL	2	
3296-49	NUT-LOCK	1	
108-1483	WASHER-THRUST	1	
6590003	O-RING	1	
69-1530	HOUSING-SPINDLE	1	
69-6950	SPACER-SPINDLE SHAFT	1	
71-2530	BEARING & SPACER SET	1	
302-2	FITTING-GREASE	1	
106-0005	GM 580D Center Deck (02 & Up) Center Spindle Kit		
302-2	FITTING-GREASE	1	
106-0023	PULLEY-CENTER	1	
110-3285	SPINDLE SHAFT ASSEMBLY	1	
253-154	SEAL-OIL	2	
3296-49	NUT-LOCK	1	
108-1483	WASHER-THRUST	1	
6590003	O-RING	1	
69-1530	HOUSING-SPINDLE	1	
69-6950	SPACER-SPINDLE SHAFT	1	
71-2530	BEARING & SPACER SET	1	
302-2	FITTING-GREASE	1	

Part No.	Description	Qty.	Sale Price
106-0006	GM 580D Center Deck (02 & Up) Outer Spindle Kit		
302-2	FITTING-GREASE	1	
106-0022	PULLEY-OUTBOARD	1	
110-3285	SPINDLE SHAFT ASSEMBLY	1	
253-154	SEAL-OIL	2	
3296-49	NUT-LOCK	1	
108-1483	WASHER-THRUST	1	
6590003	O-RING	1	
69-1530	HOUSING-SPINDLE	1	
69-6950	SPACER-SPINDLE SHAFT	1	
71-2530	BEARING & SPACER SET	1	
302-2	FITTING-GREASE	1	
105-7269	GM 7200/7210 62"/158 cm Guardian 72"/183 cm Guardian Tall Grass Kit		
112-1480-01	PLATE - RIGHT	1	
112-1482-01	PLATE - LEFT	1	
104-8300	NUT-FLANGE	4	
3230-2	BOLT-CARRIAGE	4	

Groundsmaster Blade & Belt Kits

Part No.	Description	Qty.	Sale Price
95-3070	GM 200 Series 52"/132 cm RD/SD Deck Blade & Belt Kit		
27-0990-03	BLADE - STANDARD 18"	3	
27-1160	V-BELT	1	
95-3071	GM 200 Series 62"/158 cm SD Deck Blade & Belt Kit		
44-6250-03	BLADE - STANDARD 21.75"	3	
44-6260	V-BELT	1	
95-3073	GM 200 Series 62"/158 cm Guardian Blade & Belt Kit		
92-5608-03	BLADE - STANDARD 21.75"	3	
92-5588	V-BELT	1	

Groundsmaster® Blade & Belt Kits - continued

Part No.	Description	Qty.	Sale Price
95-3072	GM 200 Series 72"/183 cm SD Deck Blade & Belt Kit		
94-1861-03	BLADE - STANDARD 24.75"	3	
57-0240	V-BELT	1	
95-3087	GM 300 Series 72"/183 cm RD/SD Deck Blade & Belt Kit		
29-5530-03	BLADE - STANDARD 25"	3	
21-0890	V-BELT	3	
95-3094	GM 300 Series 72"/183 cm RD/SD Deck Blade & Belt Kit		
23-2410-03	BLADE - HIGH SAIL 25"	3	
21-0890	V-BELT	3	
95-3088	GM 300 Series 72"/183 cm Guardian Blade & Belt Kit		
85-6040-03	BLADE - STANDARD 25"	3	
93-8457	V BELT-HEX	1	
110-4770	GM 3280D/3320 60"/152 cm SD Blade & Belt Kit		
110-4701	BLADE - MEDIUM SAIL 20.5"	3	
108-4391	BELT - HEX	1	
110-4768	GM 3280D/3320 62"/158 cm RD/Guardian Blade & Belt Kit		
92-5608-03	BLADE - STANDARD 25"	3	
107-4788	BELT-HEX	1	
110-4771	GM 3280D/3320 72"/18 cm SD Blade & Belt Kit		
110-0621	BLADE - MEDIUM SAIL 24.5"	3	
108-4393	BELT - HEX	1	
110-4769	GM 3280D/3320 72"/18 cm RD/Guardian Blade & Belt Kit		
108-1958-03	BLADE - STANDARD 25"	3	
107-4738	BELT-HEX	1	
115-8898	GM 5900/5910 Center & Wing Decks Blade & Belt Kit		
110-5946-03	BLADE - STANDARD 20"	11	
112-7376	BELT-V	1	
112-7377	BELT-V	6	
105-7270	GM 7200/7210 62"/157.5 cm Guardian Blade & Belt Kit		
92-5608-03	BLADE - STANDARD 25"	3	
110-9594	BELT-V	1	
110-9595	BELT-V	1	

Part No.	Description	Qty.	Sale Price
105-7271	GM 7200/7210 72"/182.9 cm Guardian Blade & Belt Kit		
108-1958-03	BLADE - STANDARD 25"	3	
110-9592	BELT - V	1	
110-9593	BELT - V	1	
105-7272	GM 7200/7210 72"/182.9 cm SD Deck Blade & Belt Kit		
110-0621-03	BLADE - MEDIUM SAIL 24.5"	3	
110-9590	BELT-V	1	
110-9591	BELT-V	1	

Groundsmaster Caster Wheel Kits

Part No.	Description	Qty.	Sale Price
95-3077	GM 200 Series 52"/132 cm RD/SD (1989 & Up) 62"/158 cm SD (1989-98) 72"/183 cm SD (1989-97) Caster Wheel Kit		
68-8970	TIRE & BEARING ASSEMBLY	2	
68-8980	SPANNER-TIRE	2	
32153-5	NUT-LOCK	2	
325-19	SCREW-HH	2	
3256-6	WASHER-FLAT	4	
68-8970	GM 200 Series 52"/132 cm RD/SD (1989 & Up) 62"/158 cm SD (1989-98) 72"/183 cm SD (1989-97) Caster Wheel		
68-9840	WHEEL & HUB ASSEMBLY	1	
62-5580	BEARING - OUTSIDE	2	
62-5570	BEARING ROLLER CAGE	1	
95-3076	GM 200 Series 62"/158 cm Guardian Recycler Caster Wheel Kit		
85-5760	8" CASTER WHEEL ASSEMBLY	4	
62-4340	SPANNER	4	
32128-23	NUT-HEX FLANGE	4	
325-22	SCREW-HH	4	
3256-6	WASHER-FLAT	8	
85-5760	GM 200 Series 62"/158 cm Guardian Recycler Caster Wheel		
85-5760	WHEEL & HUB ASSEMBLY	1	
83-4740	BEARING ROLLER CAGE	1	
62-5580	BEARING - OUTSIDE	2	
302-40	FITTING - GREASE	1	

QUICK REFERENCE GUIDE

MVP KITS

Groundsmaster® Caster Wheel Kits - continued

Part No.	Description	Qty.	Sale Price
95-3086	GM 300 Series 72"/183 cm RD/SD (1988 & Up) Caster Wheel Kit		
92-1655	CASTER WHEEL ASSEMBLY - FRONT	2	
63-8400	CASTER WHEEL ASSEMBLY - REAR	2	
62-4340	SPANNER - FRONT	2	
63-1770	SPANNER - REAR	2	
32128-23	NUT-HEX FLANGE	4	
325-18	SCREW-HH	2	
325-22	SCREW-HH	2	
3256-6	WASHER-FLAT	8	
95-3082	GM 300 Series 72"/183 cm RD/SD (1983 & Up) Front Caster Wheel		
92-1655	WHEEL ASSEMBLY - FRONT	1	
62-4340	SPANNER - FRONT	1	
32128-23	NUT-HEX FLANGE	1	
325-22	SCREW-HH	1	
3256-6	WASHER-FLAT	2	
95-3084	GM 300 Series 72"/183 cm RD/SD (1988 & Up) Rear Caster Wheel		
63-8400	CASTER WHEEL ASSEMBLY - REAR	1	
63-1770	SPANNER - REAR	1	
32128-23	NUT-HEX FLANGE	1	
325-18	SCREW-HH	1	
3256-6	WASHER-FLAT	2	
95-3085	GM 300 Series 72"/183 cm Guardian Recycler Caster Wheel Kit		
92-1655	CASTER WHEEL ASSEMBLY - FRONT	2	
85-5760	CASTER WHEEL ASSEMBLY - REAR	2	
32128-23	NUT-HEX FLANGE	4	
325-22	SCREW-HH	4	
3256-6	WASHER-FLAT	8	
62-4340	SPANNER	4	
95-3083	GM 300 Series 72"/183 cm Guardian Recycler Rear Caster Wheel		
85-5760	CASTER WHEEL ASSEMBLY - REAR	1	
62-4340	SPANNER	1	
32128-23	NUT-HEX FLANGE	1	
325-22	SCREW-HH	1	
3256-6	WASHER-FLAT	2	

Part No.	Description	Qty.	Sale Price
95-3077	GM 3280D/3320 52"/132 cm SD Caster Wheel Kit		
68-8970	TIRE & BEARING ASSEMBLY	2	
68-8980	SPANNER-TIRE	2	
32153-5	NUT-LOCK	2	
325-19	SCREW-HH	2	
3256-6	WASHER-FLAT	2	
68-8970	GM 3280D/3320 52"/132 cm SD Caster Wheel		
68-8970	TIRE & BEARING ASSEMBLY	1	
110-4767	GM 3280D/3320 60"/152 cm SD 62"/158 cm RD/Guardian 72"/183 cm RD/SD/Guardian Caster Wheel		
93-9938	8" WHEEL ASSEMBLY	1	
327-24	SCREW-HH	1	
3296-53	NUT-LOCK	1	

Groundsmaster Blade Packs

Part No.	Description	Qty.	Sale Price
108-1477	GM 200 Series GM 3280D/3320 52"/132 cm RD/SD Atomic Blade Pack		
104-1301	BLADE - ATOMIC 18"	6	
106-0631	GM 200 Series GM 3280D/3320 62"/158 cm RD/SD Atomic Blade Pack		
104-1303	BLADE - ATOMIC 21.75"	6	
108-1478	GM 200 Series 72"/183 cm RD/SD Atomic Blade Pack		
104-1304	BLADE - ATOMIC 24.75"	6	
108-1454	GM 300 Series GM 3280D/3320 72"/183 cm RD/SD Atomic Blade Pack		
106-4353-03	BLADE - ATOMIC 25"	6	
108-1452	GM 455D 126"/320 cm Quadfloat Atomic Blade Pack		
107-0216-03	BLADE - ATOMIC 19"	7	
108-1453	GM 580D Center & Wing Decks Atomic Blade Pack		
107-0217-03	BLADE - ATOMIC 20"	11	
108-1462	GM 3500D/3505D 27"/69 cm RD Atomic Blade Pack		
107-0235-03	BLADE - ATOMIC 27"	6	
117-2722	GM 4000D 132"/335 cm RD Standard Blade Pack		
92-5608-03	BLADE - STANDARD 21.75"	7	
110-6130	GM 4000D 132"/335 cm RD Flat Sail Blade Pack		
110-6115-03	BLADE - FLAT SAIL 21.75"	7	
108-1450	GM 4000D 132"/335 cm RD Atomic Blade Pack		
107-0214-03	BLADE - ATOMIC 21.75"	7	

Groundsmaster® Blade Packs - continued

Part No.	Description	Qty.	Sale Price
110-6140	GM 4100D 124"/315 cm RD Flat Sail Blade Pack		
110-6116-03	BLADE - FLAT SAIL 19"	7	
108-1451	GM 4100D 124"/315 cm RD Atomic Blade Pack		
107-0215-03	BLADE - ATOMIC 19"	7	
108-1463	GM 4500D 27"/69 cm RD Atomic Blade Pack		
107-0235-03	BLADE - ATOMIC 27"	5	
108-0800	GM 4500D 27"/69 cm		
108-9026-03	BLADE - COMBINATION 27"	5	
108-0800	GM3500D Combo Blade Pack		
108-9026-03	BLADE - COMBINATION 27"	5	
108-1464	GM 4700D 27"/69 cm RD Atomic Blade Pack		
107-0235-03	BLADE - ATOMIC 27"	7	
115-8896	GM 5900/5910 Center & Wing Decks Standard Blade Pack		
110-5946-03	BLADE - STANDARD 20"	11	
114-0897	GM 5900/5910 Center & Wing Decks Atomic Blade Pack		
110-5948-03	BLADE - ATOMIC 20"	11	
119-8020	GM360 Atomic Blade Pack		
110-0624-03	BLADE-ATOMIC 24.5"	3	
119-8021	GM360 High Flow Blade Pack		
110-0622-03	BLADE-MEDIUM FLOW 24.5"	3	

Filter Kits

Part No.	Description	Qty.	Sale Price
30065	Greensmaster 500/800/1000/1600 & Flex 18/21 (2004-2011) Filter Kit		
93-8636	AIR FILTER	1	
93-8637	AIR FILTER	1	
93-8584	SPARK PLUG	1	
30097	Greensmaster 500/800/1000/1600 & Flex 18/21 (2012 & Up) Filter Kit		
121-0618	ELEMENT SET	1	
121-0547	SPARK PLUG	1	
30064	Greensmaster 3150 (up to 2011) 400 Hour Filter Kit		
107-7817	OIL FILTER	5	
107-9531	HYDRAULIC OIL FILTER	1	
92-0527	AIR CLEANER CARTRIDGE	1	
92-0530	FILTER ELEMENT	1	

Filter Kits - continued

Part No.	Description	Qty.	Sale Price
131-6262	Greensmaster 3120/3150Q (2012 & Up) 800 Hour Filter Kit		
107-7817	OIL FILTER	5	
107-9531	HYDRAULIC OIL FILTER	1	
92-0527	AIR CLEANER CARTRIDGE	1	
92-0530	FILTER ELEMENT	1	
131-8785	Greensmaster 3150Q (2012 & Up) 800 Hour Standard Filter Kit		
107-7817	OIL FILTER	8	
92-0527	AIR CLEANER CARTRIDGE	8	
107-9531	HYDRAULIC OIL FILTER	1	
94-2690	FILTER - FUEL	1	
108-6945	SPARK PLUG	2	
30018	Greensmaster 3250D (2003-2006) 400 Hour Filter Kit		
108-3842	ENGINE OIL FILTER	5	
107-9531	HYDRAULIC OIL FILTER	1	
108-3811	AIR FILTER	2	
30062	Greensmaster 3250D (2007 - 2011) 400 Hour Filter Kit		
108-3842	ENGINE OIL FILTER	3	
107-9531	HYDRAULIC OIL FILTER	1	
108-3811	AIR FILTER	2	
112-9188	FILTER ELEMENT	1	
30086	Greensmaster 3250D (2012 & UP) 500 Hour Filter Kit		
115-8189	ENGINE OIL FILTER (KUBOTA D902)	4	
107-9531	HYDRAULIC OIL FILTER	1	
108-3811	AIR FILTER	2	
110-9049	FILTER - SPIN ON	1	
30042	Greensmaster 3300/3320 400 Hour Filter Kit		
108-5194	HYDRAULIC OIL FILTER	1	
107-7817	ENGINE OIL FILTER	5	
30043	Greensmaster 3400/3420 400 Hour Filter Kit		
108-3811	AIR FILTER	2	
108-5194	HYDRAULIC OIL FILTER	1	
115-8189	ENGINE OIL FILTER	3	
30016	Reelmaster 3100D (1999-2007) 400 Hour Filter Kit		
108-3841	ENGINE OIL FILTER	3	
54-0110	HYDRAULIC OIL FILTER	3	
108-3811	AIR FILTER	2	

QUICK REFERENCE GUIDE

MVP KITS

Filter Kits - continued

Part No.	Description	Qty.	Sale Price
30016	Reelmaster 3100D (1999-2007) 400 Hour Filter Kit - continued		
98-9764	FUEL/WATER SEPARATOR	1	
108-3828	FUEL FILTER - IN-LINE	1	
30053	Reelmaster 3100D (2008 & Up) 400 Hour Filter Kit		
108-3841	ENGINE OIL FILTER	3	
54-0110	HYDRAULIC OIL FILTER	2	
108-3811	AIR FILTER	2	
110-9049	FUEL/WATER SEPARATOR	1	
30090	Reelmaster 3550D/3555D/3575D 400 Hour Filter Kit		
108-3841	ENGINE OIL FILTER	3	
86-3010	TRANSMISSION OIL FILTER	3	
108-3811	AIR FILTER	2	
110-9049	FILTER-SPIN ON	1	
30012	Reelmaster 4000D (2002-2007) 400 Hour Filter Kit		
104-5169	ENGINE OIL FILTER	3	
86-6110	HYDRAULIC OIL FILTER	1	
108-3828	FUEL FILTER - IN-LINE	1	
98-9764	FUEL/WATER SEPARATOR	1	
108-3812	AIR FILTER - OUTER	1	
108-3813	AIR FILTER - INNER	1	
30061	Reelmaster 4000D (2008 & Up) 400 Hour Filter Kit		
104-5169	ENGINE OIL FILTER	3	
86-6110	HYDRAULIC OIL FILTER	1	
98-9764	FUEL/WATER SEPARATOR	1	
108-3812	AIR FILTER - OUTER	1	
108-3813	AIR FILTER - INNER	1	
30015	Reelmaster 5200D/5400D 400 Hour Filter Kit		
108-3841	ENGINE OIL FILTER	3	
110-4146	TRANSMISSION OIL FILTER	1	
108-3828	FUEL FILTER - IN-LINE	1	
108-3810	AIR FILTER	1	
98-9764	FUEL/WATER SEPARATOR	1	
30039	Reelmaster 5210/5410/5510 (2006-2007) 400 Hour Filter Kit		
108-3841	ENGINE OIL FILTER	4	
108-3828	FUEL FILTER - IN-LINE	1	
108-3810	AIR FILTER	1	
98-9764	FUEL/WATER SEPARATOR	1	
30054	Reelmaster 5210/5410/5510 pre Tier 4 (2008 & Up) 400 Hour Filter Kit		
108-3841	ENGINE OIL FILTER	3	
108-3810	AIR FILTER	1	

Part No.	Description	Qty.	Sale Price
30054	Reelmaster 5210/5410/5510 pre Tier 4 (2008 & Up) 400 Hour Filter Kit - continued		
110-9049	FUEL/WATER SEPARATOR	1	
94-2621	HYDRAULIC OIL FILTER	1	
86-3010	HYDRAULIC OIL FILTER	1	
30247	Reelmaster 5010-H 800 Hour Filter Kit		
108-3841	ENGINE OIL FILTER	6	
110-9049	FUEL/WATER SEPARATOR	2	
86-3010	HYDRAULIC OIL FILTER	1	
108-3810	AIR FILTER	1	
30091	Reelmaster 5410G/5510G 800 Hour MVP Filter Kit		
108-3810	AIR FILTER	1	
108-3841	OIL FILTER	4	
94-2621	FILTER ELEMENT	1	
86-3010	TRANSMISSION OIL FILTER	1	
30093	Reelmaster 5410D/5510D Tier4 Final 800 Hour MVP Filter Kit		
108-3810	AIR FILTER	1	
125-7025	OIL FILTER	3	
94-2621	FILTER ELEMENT	1	
86-3010	TRANSMISSION OIL FILTER	1	
125-2915	FILTER SPIN ON	2	
125-8752	FUEL FILTER	2	
30038	Reelmaster 5500D 400 Hour Filter Kit		
108-3841	ENGINE OIL FILTER	5	
110-4146	TRANSMISSION OIL FILTER	1	
94-2621	HYDRAULIC OIL FILTER	1	
108-3810	AIR FILTER	1	
98-9764	FUEL/WATER SEPARATOR	1	
108-3828	FUEL FILTER - IN-LINE	1	
30040	Reelmaster 5610 (2006-2007) 400 Hour Filter Kit		
108-3841	ENGINE OIL FILTER	4	
108-3828	FUEL FILTER - IN-LINE	1	
108-3812	AIR FILTER	1	
98-9764	FUEL/WATER SEPARATOR	1	
30055	Reelmaster 5610 (2008- 2012) 400 Hour Filter Kit		
108-3841	ENGINE OIL FILTER	3	
108-3812	AIR FILTER	1	
110-9049	FUEL/WATER SEPARATOR	1	
94-2621	HYDRAULIC OIL FILTER	1	
86-3010	HYDRAULIC OIL FILTER	1	
30014	Reelmaster 6500D/6700D (2003-2007) 400 Hour Filter Kit		
108-3841	ENGINE OIL FILTER	3	
108-3828	FUEL FILTER - IN-LINE	1	
98-9764	FUEL/WATER SEPARATOR	1	

Filter Kits - continued

Part No.	Description	Qty.	Sale Price
108-3812	AIR FILTER - OUTER	1	
108-3813	AIR FILTER - INNER	1	
94-2621	HYDRAULIC OIL FILTER	1	
30057	Reelmaster 6500D/6700D (2008 & Up) 400 Hour Filter Kit		\$110.01
108-3841	ENGINE OIL FILTER	3	
110-9049	FUEL/WATER SEPARATOR	1	
108-3812	AIR FILTER - OUTER	1	
108-3813	AIR FILTER - INNER	1	
94-2621	HYDRAULIC OIL FILTER	1	
30056	Reelmaster 7000D 400 Hour Filter Kit (2008 & Up) 400 Hour Filter Kit		\$155.24
104-5169	ENGINE OIL FILTER	3	
75-1310	HYD OIL FILTER - PUMP	1	
94-2621	HYD OIL FILTER - MANIFOLD	1	
110-9049	FUEL/WATER SEPARATOR	1	
108-3814	AIR FILTER - OUTER	1	
108-3816	AIR FILTER - INNER	1	
30030	Groundsmaster 223D 400 Hour Filter Kit		\$122.27
108-3841	ENGINE OIL FILTER	5	
23-2300	TRANSMISSION OIL FILTER	2	
43-2550	FILTER - ELEC FUEL PUMP	1	
63-8300	FUEL/WATER SEPARATOR	1	
108-3833	AIR FILTER	2	
30002	Groundsmaster 225 400 Hour Filter Kit		\$71.14
108-3842	ENGINE OIL FILTER	5	
23-2300	TRANSMISSION OIL FILTER	3	
108-3833	AIR FILTER	1	
95-2926	FUEL FILTER	1	
30001	Groundsmaster 228D 400 Hour Filter Kit		\$104.59
108-3841	ENGINE OIL FILTER	5	
23-2300	TRANSMISSION OIL FILTER	3	
98-9764	FUEL/WATER SEPARATOR	1	
108-3828	FUEL FILTER - IN-LINE	1	
108-3810	AIR FILTER	1	
30023	Groundsmaster 325D 400 Hour Filter Kit		\$111.83
108-3841	ENGINE OIL FILTER	5	
23-9740	TRANSMISSION OIL FILTER	3	
43-2550	FILTER - ELEC FUEL PUMP	1	
63-8300	FUEL/WATER SEPARATOR	1	
108-3833	AIR FILTER	1	
30022	Groundsmaster 328D (2001-2007) 400 Hour Filter Kit		\$96.05
108-3841	ENGINE OIL FILTER	3	
23-9740	TRANSMISSION OIL FILTER	3	

Part No.	Description	Qty.	Sale Price
108-3828	FUEL FILTER - IN-LINE	1	
98-9764	FUEL/WATER SEPARATOR	1	
108-3810	AIR FILTER	1	
30059	Groundsmaster 328D (2008 & Up) 400 Hour Filter Kit		\$105.94
108-3841	ENGINE OIL FILTER	3	
23-9740	TRANSMISSION OIL FILTER	3	
112-7836	FUEL FILTER - IN-LINE	1	
110-9049	FUEL/WATER SEPARATOR	1	
108-3810	AIR FILTER	2	
30021	Groundsmaster 345 400 Hour Filter Kit		\$74.04
108-3817	ENGINE OIL FILTER	5	
23-9740	TRANSMISSION OIL FILTER	3	
108-3831	FUEL FILTER	1	
108-3833	AIR FILTER	1	
30028	Groundsmaster 455D 400 Hour Filter Kit		\$79.24
108-3837	ENGINE OIL FILTER	5	
86-3010	HYDRAULIC OIL FILTER	1	
76-5220	FUEL FILTER	1	
108-3812	AIR FILTER - OUTER	1	
108-3813	AIR FILTER - INNER	1	
30024	Groundsmaster 580D (1989-2003) 400 Hour Filter Kit		\$208.86
110-6166	ENGINE OIL FILTER	5	
69-1720	HYDRAULIC OIL FILTER	2	
69-1770	FUEL/WATER SEPARATOR	2	
108-3815	AIR FILTER	1	
30063	Groundsmaster 580D (2004-2008) 400 Hour Filter Kit		\$190.39
110-6166	ENGINE OIL FILTER	3	
69-1720	HYDRAULIC OIL FILTER	2	
60-5470	FUEL/WATER SEPARATOR	1	
108-3815	AIR FILTER	2	
30010	Groundsmaster 3000D 400 Hour Filter Kit		\$86.10
108-3837	ENGINE OIL FILTER	5	
94-3951	HYDRAULIC OIL FILTER	2	
76-5220	FUEL FILTER	1	
108-3812	AIR FILTER	1	
30034	Groundsmaster 3280D (2005-2007) 400 Hour Filter Kit		\$104.59
108-3841	ENGINE OIL FILTER	4	
23-2300	TRANSMISSION OIL FILTER	4	
98-9764	FUEL/WATER SEPARATOR	1	
108-3828	FUEL FILTER - IN-LINE	1	
108-3810	AIR FILTER	1	

QUICK REFERENCE GUIDE

MVP KITS

Filter Kits - continued

Part No.	Description	Qty.	Sale Price	Part No.	Description	Qty.	Sale Price
30051	Groundsmaster 3280D (2008- 2011) 400 Hour Filter Kit			30056	Groundsmaster 4000D/41000D/4500D/4700D (2008 & 2012) 400 Hour Filter Kit		
108-3841	ENGINE OIL FILTER	3		104-5169	ENGINE OIL FILTER	3	
23-2300	TRANSMISSION OIL FILTER	2		75-1310	HYD OIL FILTER - PUMP	1	
110-9049	FUEL/WATER SEPARATOR	1		94-2621	HYD OIL FILTER - MANIFOLD	2	
108-3810	AIR FILTER	1		110-9049	FUEL/WATER SEPARATOR	1	
30027	Groundsmaster 3500D/3505D (2002-2007) 400 Hour Filter Kit			108-3814	AIR FILTER - OUTER	1	
108-3841	ENGINE OIL FILTER	3		108-3816	AIR FILTER - INNER	1	
86-3010	HYDRAULIC OIL FILTER	3		30089	Groundsmaster 4000D/4100D/4500D/4700D Tier 4i 800 Hour Filter MVP Kit (2012 & Older)		
108-3828	FUEL FILTER - IN-LINE	1		125-7025	OIL FILTER	3	
98-9764	FUEL/WATER SEPARATOR	1		75-1310	HYDRAULIC OIL FILTER	1	
108-3810	AIR FILTER	2		94-2621	HYDRAULIC OIL FILTER	1	
30058	Groundsmaster 3500D/3505D (2008-2012) 400 Hour Filter Kit			115-9793	BREATHER	1	
108-3841	ENGINE OIL FILTER	3		108-3814	AIR FILTER	1	
86-3010	HYDRAULIC OIL FILTER	3		108-3816	AIR FILTER	1	
110-9049	FUEL/WATER SEPARATOR	1		110-9049	FILTER SPIN ON	2	
108-3810	AIR FILTER	2		110-4812	FUEL FILTER	1	
30090	Groundsmaster 3500D/3505D (Model 30807 & 30849) 400 Hour Filter Kit			30408	Groundsmaster 4000D/4100D/4500D/4700D Tier 4 Final (2013 & Up) 800 Hour Filter MVP Kit		
108-3841	ENGINE OIL FILTER	3		125-7025	OIL FILTER	3	
86-3010	TRANSMISSION OIL FILTER	3		75-1310	HYDRAULIC OIL FILTER	1	
108-3811	AIR FILTER	2		94-2621	HYDRAULIC OIL FILTER	1	
110-9049	FILTER-SPIN ON	1		115-9793	BREATHER	1	
110-9049	FUEL/WATER SEPARATOR	1		108-3814	AIR FILTER	1	
30246	Groundsmaster 3500G (Model 30809) 400 Hour Filter MVP Kit			108-3816	AIR FILTER	1	
108-3811	AIR FILTER	2		125-2915	FILTER SPIN ON	2	
115-8189	ENGINE OIL FILTER	3		125-8752	FUEL FILTER	2	
86-3010	HYDRAULIC OIL FILTER	3		110-4812	AXLE VENT ASM	1	
121-3625	FUEL PUMP FILTER	1		110-4815	INSERT FILTER ASM	1	
30029	Groundsmaster 4000D/41000D/4500D/4700D (2002-2008) 400 Hour Filter Kit			30055	Groundsmaster 4300 400 Hour Filter Kit (2008 - 2012)		
104-5169	ENGINE OIL FILTER	3		108-3841	ENGINE OIL FILTER	3	
75-1310	HYD OIL FILTER - PUMP	1		108-3812	AIR FILTER	1	
94-2621	HYD OIL FILTER - MANIFOLD	1		110-9049	FUEL/WATER SEPARATOR	1	
98-9764	FUEL/WATER SEPARATOR	1		94-2621	HYDRAULIC OIL FILTER	1	
108-3828	FUEL FILTER - IN-LINE	1		86-3010	HYDRAULIC OIL FILTER	1	
108-3814	AIR FILTER - OUTER	1		30093	Groundsmaster 4300D Hour MVP Filter Kit (2012 & Up)	800	
108-3816	AIR FILTER - INNER	1		108-3810	AIR FILTER	1	
				125-7025	OIL FILTER	3	
				94-2621	FILTER ELEMENT	1	
				86-3010	TRANSMISSION OIL FILTER	1	
				125-2915	FILTER SPIN ON	2	
				125-8752	FUEL FILTER	2	

Filter Kits - continued

Part No.	Description	Qty.	Sale Price	Part No.	Description	Qty.	Sale Price
30041	Groundsmaster 5900/5910 400 Hour Filter Kit			30035	Sand/Infield Pro 3040/5040 400 Hour Filter Kit		
130-8860	ENGINE OIL FILTER	2		107-7817	ENGINE OIL FILTER	9	
86-6110	HYD OIL FILTER - MAIN	1		54-0110	HYDRAULIC OIL FILTER	2	
75-1310	HYD OIL FILTER - PTO	1		108-3811	AIR FILTER	2	
115-5471	FUEL/WATER SEPARATOR	1					
117-2792	FUEL FILTER - AT ENGINE	1		08725	SandPro 2040Z 400 Hour Filter Kit		
31609	Groundsmaster 5900 Tier 4 Final 400 Hour Filter Kit			114-3494	FILTER ELEMENT	2	
125-7025	OIL FILTER	2		127-0381	INNER FILTER KIT	4	
75-1310	HYD OIL FILTER - PTO	1		119-5852	OIL FILTER	5	
86-6110	HYD OIL FILTER - MAIN	1		125-6438	AIR FILTER	2	
125-2915	FILTER SPIN ON	1		115-7854	IN-LINE FUEL FILTER	2	
125-8752	FUEL FILTER	1		92-2153	SPARK PLUG	2	
30037	Groundsmaster 7200/7210 (2007) 400 Hour Filter Kit			30036	Line Painter 1200 400 Hour Filter Kit		
108-3841	ENGINE OIL FILTER	3		108-3842	ENGINE OIL FILTER	5	
108-5194	TRANSMISSION OIL FILTER	2		108-2604	AIR FILTER - ELEMENT	1	
98-9764	FUEL/WATER SEPARATOR	1		108-2603	AIR FILTER - WRAPPER	1	
108-3810	AIR FILTER	1					
108-3828	FUEL FILTER - IN-LINE	1		30073	Workman HDX Series (2012 & Older) - 400 Hour Maintenance Kit		
30052	Groundsmaster 7200/7210 (2008 & Up) 400 Hour Filter Kit			108-3811	AIR FILTER	2	
108-3841	ENGINE OIL FILTER	3		108-3842	OIL FILTER	3	
108-5194	TRANSMISSION OIL FILTER	1		115-7854	FUEL FILTER - INLINE (5/16)	2	
110-9049	FUEL/WATER SEPARATOR	1		54-0110	TRANSMISSION OIL FILTER	1	
108-3810	AIR FILTER	1		115-7818	FUEL FILTER ASM	1	
30008	Hydroject 3000 Aerator 400 Hour Maintenance Kit			30068	Workman HDX-D Series (2012 & Older) - 400 Hour Maintenance Kit		
108-3817	ENGINE OIL FILTER	5		108-3811	AIR FILTER	2	
67-8110	TRANSMISSION OIL FILTER	3		108-3842	OIL FILTER	3	
71-5960	FUEL FILTER	2		110-9049	FUEL/WATER SEPARATOR	1	
82-0660	AIR FILTER - ELEMENT	2		54-0110	TRANSMISSION OIL FILTER	1	
57-9340	SPARK PLUG	2		30248	Workman HDX Series (2013 & Up) - 400 Hour Maintenance Kit		
30005	Workman 1100/1110/MD 400 Hour Filter Kit			108-3810	AIR FILTER	2	
108-3811	AIR FILTER	2		115-8189	FILTER-OIL, ENGINE	3	
30004	Workman 2100/2110/MDX 400 Hour Filter Kit			115-7818	FUEL FILTER ASM	1	
107-7817	ENGINE OIL FILTER	4		54-0110	FILTER-OIL,TRANSMISSION	1	
108-3811	AIR FILTER	2		125-9139	SPARK PLUG	3	
30017	Workman 3200/4200 (2002 Up) 400 Hour Maintenance Kit			110-3796	V-BELT	1	
108-3842	ENGINE OIL FILTER	5		30249	Workman HDX-D Series (2013 & Up) - 400 Hour Maintenance Kit		
108-3811	AIR FILTER	2		108-3810	AIR FILTER	2	
105-8045	FUEL FILTER	1		115-8189	FILTER-OIL, ENGINE	3	
108-6945	SPARK PLUG	3		110-9049	FILTER-SPIN ON	1	
30006	Workman 3300D/4300D (2002 Up) 400 Hour Filter Kit			54-0110	FILTER-OIL,TRANSMISSION	1	
108-3842	ENGINE OIL FILTER	5		110-3796	V-BELT	1	
108-3811	AIR FILTER	1					
54-0110	TRANSMISSION OIL FILTER	1					
63-8300	FUEL/WATER SEPARATOR	1					

Prices subject to change without notice. NOTE: Please see your Parts Catalog or Master Parts Viewer to ensure ordering the correct part; the part needed may not be listed. **Not sold separately.

QUICK REFERENCE GUIDE

MVP KITS

Filter Kits - continued

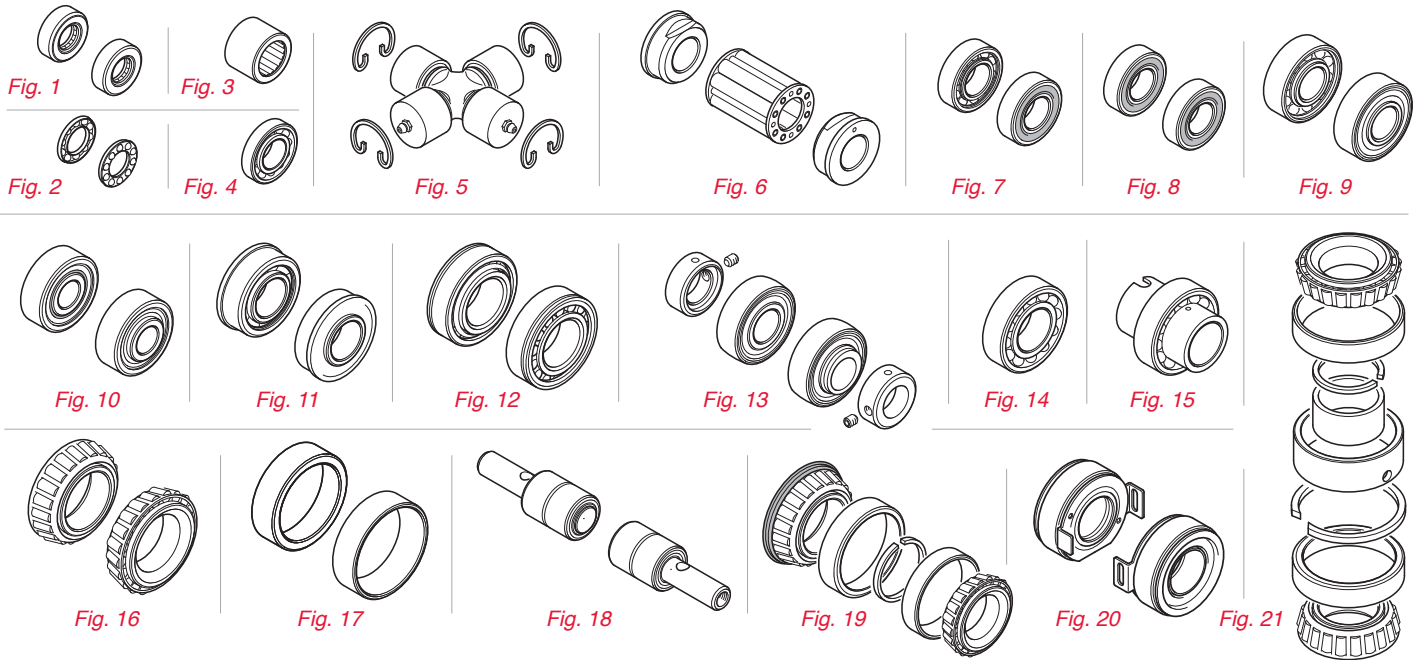
Part No.	Description	Qty.	Sale Price
131-8276	Workman HDX-Auto (2014 & Up) - 400 Hour Maintenance Kit		
108-3811	AIR FILTER	4	
108-3847	OIL FILTER	3	
115-7818	FUEL FILTER ASM	1	
54-0110	FILTER-OIL,TRANSMISSION	1	
136-1100	SPARK PLUG	2	
136-6280	Workman GTX - 400 Hour Maintenance Kit		
108-3811	AIR FILTER	4	
131-8589	SPARK PLUG	1	
56-6360	FUEL FILTER	1	

Touch-Up Paint

Part No.	Description	Qty.	Sale Price
361-1	TORO Red (Prior to 1990) 12 oz Spray Can Touch-Up Paint	A/R	
361-10	TORO Red (1990 & Up) 12 oz Spray Can Touch-Up Paint	A/R	
112-0178	TORO Red (1990 & Up) 0.6 oz Brush-in-Cap Touch-Up Paint	A/R	
112-0177	TORO Red (1990 & Up) 0.3 oz Paint Marker Touch-Up Paint	A/R	
112-0176	TORO Black 0.6 oz Brush-in-Cap Touch-Up Paint	A/R	
112-0175	TORO Black 0.3 oz Paint Marker Touch-Up Paint	A/R	

QUICK REFERENCE GUIDE

BEARINGS



Walk Greensmaster®

Equipment	Application	Fig. No.	Component	Year	Description	Part No.	Price Each
Greensmaster 800 1000 1600 2000 2600	<i>Cutting Unit</i>	14	Reel	All	BALL BEARING ASSEMBLY - DUAL ROW	251-342	
		19	Front Roller	All	BEARING & SHAFT ASSEMBLY	52-3180	
		7	Groomer Reel Shaft	All	BALL BEARING ASSEMBLY - OUTER SEAL ONLY	251-327	
		7	Groomer Reel Belt Idler	All	BALL BEARING ASSEMBLY - OUTER SEAL ONLY	251-328	
		<i>Traction Unit</i>	7	Reel Drive Clutch Housing	1993 Up	BALL BEARING ASSEMBLY - OUTER SEAL ONLY	251-318
8	Reel Drive Clutch		All	BALL BEARING ASSEMBLY - SEALED	251-336		
14	Countershaft Support		All	BALL BEARING ASSEMBLY - DUAL ROW	251-338		
8	Idler Pulleys		All	BALL BEARING ASSEMBLY - SEALED	38-7820		
14	Drum Drive Shaft		All	BALL BEARING ASSEMBLY - DUAL ROW	251-338		
7	Drum Spindle/Hub		1990-99	BALL BEARING ASSEMBLY - OUTER SEAL ONLY	251-257		
8	Drum Spindle/Hub		2000 Up	BALL BEARING ASSEMBLY - SEALED	251-82		
13	Drum - Outer Shaft Bearing		1993 Up	BALL BEARING ASSEMBLY - SELF ALIGNING	88-7880		
Greensmaster Flex 1800 2100	<i>Cutting Unit</i>	14	Reel	All	BALL BEARING ASSEMBLY - DUAL ROW	251-342	
		8	Roller	All	BALL BEARING ASSEMBLY - SEALED	251-347	
		8	Groomer Drive Belt Idler	All	BALL BEARING ASSEMBLY - SEALED	251-259	
	<i>Traction Unit</i>	8	Reel Drive Shaft	All	BALL BEARING ASSEMBLY - SEALED	251-336	
eFlex 1800 2100	<i>Traction Unit</i>	13	Drum Drive Shaft	2001-04	BALL BEARING - SELF ALIGNING W/COLLAR	104-0538	
		13	Drum Drive Shaft	2005 Up	BALL BEARING - SELF ALIGNING W/COLLAR	106-8448	
		8	Drum Spindle/Hub	All	BALL BEARING ASSEMBLY - SEALED	251-82	
Trans Pro 80 100	<i>Trailer</i>	16	Wheel - Inner/Outer Bearing	All	ROLLER BEARING ASSEMBLY - TAPERED CONE	254-92	
		17	Wheel - Inner/Outer Bearing	All	BEARING RACE - TAPERED CUP	254-72	

QUICK REFERENCE GUIDE

BEARINGS

Riding Greensmaster

Equipment	Application	Fig. No.	Component	Year	Description	Part No.	Price Each	
Greensmaster 3300 Style Cutting Units*	<i>4-Bolt</i>	18	Front Roller	1974 Up	BEARING & SHAFT ASSEMBLY	21-6410		
		19	Rear Roller	1974 Up	BEARING & SHAFT ASSEMBLY	52-3180		
	<i>Spiker</i>	18	Front & Rear Rollers	1974 Up	BEARING & SHAFT ASSEMBLY	21-6410		
		<i>4 Bolt & SPA</i>	16	Reel	All	ROLLER BEARING ASSEMBLY - TAPERED CONE	254-94	
			17	Reel	All	BEARING RACE - TAPERED CUP	254-72	
			2	Reel Adjustment Knob	1985-86	THRUST BEARING CAGE ASSEMBLY	257-6	
		<i>Groomer</i>	19	Front & Rear Rollers	All	BEARING & SHAFT ASSEMBLY	52-3180	
			7	Roller Brush Kit Rear Roller	All	BALL BEARING ASSEMBLY - OUTER SEAL ONLY	85-9970	
			7	Groomer Reel Drive	All	BALL BEARING ASSEMBLY - OUTER SEAL ONLY	251-327	
	<i>Spiker</i>	7	Groomer Drive Shaft	All	BALL BEARING ASSEMBLY - OUTER SEAL ONLY	251-327		
		7	Groomer Drive Belt Idler	All	BALL BEARING ASSEMBLY - OUTER SEAL ONLY	251-328		
		19	Front & Rear Rollers	1985-92	BEARING & SHAFT ASSEMBLY	52-3180		
	Greensmaster 3200 Style Cutting Units*	<i>4-Bolt & SPA</i>	14	Reel	1995-00	BALL BEARING ASSEMBLY - DUAL ROW	93-2489	
			9	Front Roller	All	BALL BEARING ASSEMBLY - OUTER SEAL ONLY	93-2559	
			18	Wiehle Front Roller	All	BEARING & SHAFT ASSEMBLY	75-1290	
			9	Rear Roller	1995-98	BALL BEARING ASSEMBLY - OUTER SEAL ONLY	93-2559	
<i>Groomer</i>		7	Rear Roller	1999-00	BALL BEARING ASSEMBLY - OUTER SEAL ONLY	85-9970		
		13	Rear Roller Brush Shaft	All	BALL BEARING - SELF ALIGNING W/COLLAR	98-5208		
		4	Rear Roller Brush Drive Shaft	All	BALL BEARING ASSEMBLY - SINGLE ROW	98-5215		
		14	Groomer Reel Drive	All	BALL BEARING ASSEMBLY - SINGLE ROW	251-336		
<i>Dethatcher</i>		8	Groomer Drive Shaft	All	BALL BEARING ASSEMBLY - SEALED	95-0707		
		7	Groomer Drive Belt Idler	All	BALL BEARING ASSEMBLY - OUTER SEAL ONLY	38-7820		
		7	Front Roller	1997 Up	BALL BEARING ASSEMBLY - OUTER SEAL ONLY	85-9970		
		9	Rear Roller	All	BALL BEARING ASSEMBLY - OUTER SEAL ONLY	93-2559		
<i>Spiker</i>		9	Rear Roller	All	BALL BEARING ASSEMBLY - OUTER SEAL ONLY	93-2559		
		9	Rear Roller	All	BALL BEARING ASSEMBLY - OUTER SEAL ONLY	93-2559		
Greensmaster 3050 Style Cutting Units*		<i>4-Bolt & SPA</i>	14	Reel	2001	BALL BEARING ASSEMBLY - DUAL ROW	93-2489	
			14	Reel	2002-03	BALL BEARING ASSEMBLY - DUAL ROW	105-3827	
	<i>Groomer</i>	19	Front Roller	All	BEARING & SHAFT ASSEMBLY	52-3180		
		7	Rear Roller	All	BALL BEARING ASSEMBLY - OUTER SEAL ONLY	85-9970		
		13	Rear Roller Brush Shaft	All	BALL BEARING - SELF ALIGNING W/COLLAR	98-5208		
		4	Rear Roller Brush Drive Shaft	All	BALL BEARING ASSEMBLY - SINGLE ROW	98-5215		
	<i>Spiker</i>	14	Groomer Reel	All	BALL BEARING ASSEMBLY - SINGLE ROW	95-0707		
		8	Groomer Drive Shaft	All	BALL BEARING ASSEMBLY - SEALED	251-336		
		7	Groomer Drive Belt Idler	All	BALL BEARING ASSEMBLY - OUTER SEAL ONLY	38-7820		
		9	Rear Roller	All	BALL BEARING ASSEMBLY - OUTER SEAL ONLY	93-2559		
	<i>Tri-Roller</i>	9	Rear Roller	All	BALL BEARING ASSEMBLY - OUTER SEAL ONLY	93-2559		
		9	Rear Roller	All	BALL BEARING ASSEMBLY - OUTER SEAL ONLY	93-2559		
Greensmaster DPA Cutting Units*	<i>DPA</i>	14	Reel	2003-06	BALL BEARING ASSEMBLY - DUAL ROW	93-2489		
		8	Roller	All	BALL BEARING ASSEMBLY - SEALED	251-347		
		13	Rear Roller Brush Shaft	All	BALL BEARING - SELF ALIGNING W/COLLAR	132-6979		
		8	Roller Brush Drive Belt Idler	All	BALL BEARING ASSEMBLY - SEALED	251-259		
		8	Groomer Drive Belt Idler	All	BALL BEARING ASSEMBLY - SEALED	251-259		
Greensmaster 300	<i>Traction Unit</i>	9	Pull Frame Roller	All	BALL BEARING ASSEMBLY - OUTER SEAL ONLY	251-141		
		16	Rear Wheel	All	ROLLER BEARING ASSEMBLY - TAPERED CONE	254-78		
		17	Rear Wheel	All	BEARING RACE - TAPERED CUP	254-79		
Greensmaster 3000 3000D	<i>Traction Unit</i>	9	Pull Frame Roller	All	BALL BEARING ASSEMBLY - OUTER SEAL ONLY	251-141		
		16	Rear Wheel	All	ROLLER BEARING ASSEMBLY - TAPERED CONE	254-78		
		17	Rear Wheel	All	BEARING RACE - TAPERED CUP	254-79		
Greensmaster 3050	<i>Traction Unit</i>	9	Pull Frame Roller	All	BALL BEARING ASSEMBLY - OUTER SEAL ONLY	251-141		
		16	Rear Wheel	All	ROLLER BEARING ASSEMBLY - TAPERED CONE	254-78		
		17	Rear Wheel	All	BEARING RACE - TAPERED CUP	254-79		

QUICK REFERENCE GUIDE

BEARINGS

Riding Greensmaster® - continued

Equipment	Application	Fig. No.	Component	Year	Description	Part No.	Price Each
Greensmaster 3100D	<i>Traction Unit</i>	9	Pull Frame Roller	All	BALL BEARING ASSEMBLY - OUTER SEAL ONLY	251-141	
		16	2WD Rear Wheel	All	ROLLER BEARING ASSEMBLY - TAPERED CONE	254-78	
		17	2WD Rear Wheel	All	BEARING RACE - TAPERED CUP	254-79	
Greensmaster 3150	<i>Traction Unit</i>	9	Pull Frame Roller	All	BALL BEARING ASSEMBLY - OUTER SEAL ONLY	251-141	
		8	Neutral Centering Device	All	BALL BEARING ASSEMBLY - SEALED	251-259	
		8	Traction Function Lever	All	BALL BEARING ASSEMBLY - SEALED	251-259	
		16	Rear Wheel	All	ROLLER BEARING ASSEMBLY - TAPERED CONE	254-78	
		17	Rear Wheel	All	BEARING RACE - TAPERED CUP	254-79	
Greensmaster 3200 3200D	<i>Traction Unit</i>	8	Neutral Arm	All	BALL BEARING ASSEMBLY - SEALED	251-259	
		8	Traction Function Lever	All	BALL BEARING ASSEMBLY - SEALED	251-259	
		16	Rear Wheel	All	ROLLER BEARING ASSEMBLY - TAPERED CONE	254-78	
		17	Rear Wheel	All	BEARING RACE - TAPERED CUP	254-79	
Greensmaster 3250D	<i>Traction Unit</i>	8	Neutral Centering Device	All	BALL BEARING ASSEMBLY - SEALED	251-259	
		8	Traction Function Lever	All	BALL BEARING ASSEMBLY - SEALED	251-259	
		16	Rear Wheel	All	ROLLER BEARING ASSEMBLY - TAPERED CONE	254-78	
Greensmaster 3300 3320 3400 3420	<i>Cutting Unit</i>	8	Rear Rollers	All	BALL BEARING ASSEMBLY - SEALED	251-347	
	<i>Traction Unit</i>	8	Neutral Centering Device	All	BALL BEARING ASSEMBLY - SEALED	251-259	
		17	Rear Wheel	All	BEARING RACE - TAPERED CUP	254-72	

*Greensmaster cutting units can be attached to a variety of Greensmaster traction units. Use the Greensmaster Cutting Unit Reference Chart to help recognize cutting units by name.

Reelmaster®

Equipment	Application	Fig. No.	Component	Year	DESCRIPTION	Part No.	Price Each
Reelmaster 216 216D	<i>Cutting Unit</i>	16	Rear Wheel	All	ROLLER BEARING ASSEMBLY - TAPERED CONE	254-94	
		13	Reel	1987-88	BALL BEARING ASSEMBLY - SELF ALIGNING	71-1360	
		13	Reel	1989 Up	BALL BEARING ASSEMBLY - SELF ALIGNING	251-331	
		2	Reel Adjustment Knob	All	THRUST BEARING CAGE ASSEMBLY	257-6	
	<i>Traction Unit</i>	17	Front & Rear Rollers	All	BEARING RACE - TAPERED CUP	254-79	
		16	Front & Rear Rollers	All	ROLLER BEARING ASSEMBLY - TAPERED CONE	254-78	
		8	Neutral Centering Device	All	BALL BEARING ASSEMBLY - SEALED	251-259	
Grounds Pro 2000 2000D	<i>Cutting Unit</i>	11	2 WD Rear Wheel	All	BALL BEARING ASSEMBLY - FLANGED	251-321	
		13	Reel	All	BALL BEARING ASSEMBLY - SELF ALIGNING	251-331	
		2	Reel Adjustment Knob	All	THRUST BEARING CAGE ASSEMBLY	257-6	
	<i>Traction Unit</i>	16	Front & Rear Rollers	All	ROLLER BEARING ASSEMBLY - TAPERED CONE	254-78	
		17	Front & Rear Rollers	All	BEARING RACE - TAPERED CUP	254-79	
Reelmaster 2000D	<i>Cutting Units</i>	8	Neutral Centering Device	All	BALL BEARING ASSEMBLY - SEALED	251-259	
		11	3 Wheeled Axle - Rear Wheel	All	BALL BEARING ASSEMBLY - FLANGED	251-321	
		13	Reel	All	BALL BEARING ASSEMBLY - SELF ALIGNING	100-4926	
	<i>Traction Unit</i>	17	Front & Rear Rollers	All	BEARING RACE - TAPERED CUP	254-79	
		16	Front & Rear Rollers	All	ROLLER BEARING ASSEMBLY - TAPERED CONE	254-78	
		8	27" Verticut - Roller	All	BALL BEARING ASSEMBLY - SEALED	251-347	
		8	Neutral Centering Device	All	BALL BEARING ASSEMBLY - SEALED	251-259	
<i>Traction Unit</i>	16	Rear Wheel - Inner/Outer	All	ROLLER BEARING ASSEMBLY - TAPERED CONE	254-94		
	17	Rear Wheel - Inner/Outer	All	BEARING RACE - TAPERED CUP	254-72		
	13	Reel	All	BALL BEARING ASSEMBLY - SELF ALIGNING	88-7880		
Reelmaster 2300D 2600D	<i>Cutting Units</i>	2	Reel Adjust	All	THRUST BEARING CAGE ASSEMBLY	257-6	
		16	Front & Rear Rollers	All	ROLLER BEARING ASSEMBLY - TAPERED CONE	254-78	
		17	Front & Rear Rollers	All	BEARING RACE - TAPERED CUP	254-79	
	<i>Traction Unit</i>	8	Neutral Centering Device	All	BALL BEARING ASSEMBLY - SEALED	251-259	
		11	2WD Rear Wheel	All	BALL BEARING ASSEMBLY - FLANGED	251-321	
Reelmaster 3100D	<i>Cutting Units</i>	13	Reel	All	BALL BEARING ASSEMBLY - SELF ALIGNING	100-4926	
		17	Front & Rear Rollers	All	BEARING RACE - TAPERED CUP	254-79	
		16	Front & Rear Rollers	All	ROLLER BEARING ASSEMBLY - TAPERED CONE	254-78	
	<i>Traction Unit</i>	8	27" Verticut - Roller	All	BALL BEARING ASSEMBLY - SEALED	251-347	
		8	Neutral Centering Device	All	BALL BEARING ASSEMBLY - SEALED	251-259	
		8	Traction Pedal	All	BALL BEARING ASSEMBLY - SEALED	251-259	

Reelmaster® - continued

Equipment	Application	Fig. No.	Component	Year	Description	Part No.	Price Each
Reelmaster 223D 5100D 5300D	<i>Cutting Unit</i>	16	Reel	All	ROLLER BEARING ASSEMBLY - TAPERED CONE	254-94	
		17	Reel	All	BEARING RACE - TAPERED CUP	254-72	
		18	Front Roller	All	BEARING & SHAFT ASSEMBLY	75-1290	
		19	Rear Roller	1990-91	BEARING & SHAFT ASSEMBLY	52-3180	
		7	Rear Roller	All	BALL BEARING ASSEMBLY - OUTER SEAL ONLY	85-9970	
		13	Rear Roller Brush Shaft	All	BALL BEARING - SELF ALIGNING W/COLLAR	98-5208	
		8	Rear Roller Brush Drive Shaft	All	BALL BEARING ASSEMBLY - SEALED	251-336	
		8	Roller Brush Drive Belt Idler	All	BALL BEARING ASSEMBLY - SEALED	251-259	
		18	Dethatcher - Rollers	All	BEARING & SHAFT ASSEMBLY	75-1290	
	<i>Traction Unit</i>	8	Compensating Carrier Frame	All	BALL BEARING ASSEMBLY - SEALED	251-259	
		8	Neutral Centering Device	All	BALL BEARING ASSEMBLY - SEALED	251-259	
		7	Cooling Fan Shaft	All	BALL BEARING ASSEMBLY - OUTER SEAL ONLY	251-318	
		12	Front Axle - Outer Bearing	All	ROLLER BEARING ASSEMBLY	21-8180	
		16	2WD Rear Wheel - In/Out	All	ROLLER BEARING ASSEMBLY - TAPERED CONE	254-94	
		17	2WD Rear Wheel - In/Out	All	BEARING RACE - TAPERED CUP	254-72	
8		4WD Rear Axle Knuckle	All	BALL BEARING ASSEMBLY - SEALED	251-347		
Reelmaster 5200D 5400D		<i>Cutting Unit</i>	16	Reel	All	ROLLER BEARING ASSEMBLY - TAPERED CONE	254-94
	17		Reel	All	BEARING RACE - TAPERED CUP	254-72	
	18		Front & Rear Roller	1998-01	BEARING & SHAFT ASSEMBLY	75-1290	
	7		Front & Rear Roller	2001-06	BALL BEARING ASSEMBLY - OUTER SEAL ONLY	109966	
	13		Roller Brush Shaft	All	BALL BEARING - SELF ALIGNING W/COLLAR	132-6979	
	4		Roller Brush Drive Shaft	All	BALL BEARING ASSEMBLY - SINGLE ROW	98-5215	
	8		Roller Brush Drive Belt Idler	All	BALL BEARING ASSEMBLY - SEALED	251-259	
	18		Dethatcher - Rollers	All	BEARING & SHAFT ASSEMBLY	75-1290	
	<i>Traction Unit</i>	8	Compensating Carrier Frame	All	BALL BEARING ASSEMBLY - SEALED	251-259	
		8	Neutral Centering Device	All	BALL BEARING ASSEMBLY - SEALED	251-259	
		7	Cooling Fan Shaft	All	BALL BEARING ASSEMBLY - OUTER SEAL ONLY	251-318	
		12	Front Axle - Outer Bearing	All	ROLLER BEARING ASSEMBLY	21-8180	
		16	2WD Rear Wheel - In/Out	All	ROLLER BEARING ASSEMBLY - TAPERED CONE	254-94	
		17	2WD Rear Wheel - In/Out	All	BEARING RACE - TAPERED CUP	254-72	
		8	4WD Rear Axle Knuckle	1998-99	BALL BEARING ASSEMBLY - SEALED	251-347	
Reelmaster 5010-H 5210 5410 5510 5610	<i>Cutting Unit</i>	14	Reel	All	BALL BEARING ASSEMBLY - DUAL ROW	93-2489	
		7	Front & Rear Roller	2006-07	BALL BEARING ASSEMBLY - OUTER SEAL ONLY	109966	
		7	Front & Rear Roller	2008 Up	BALL BEARING ASSEMBLY - OUTER SEAL ONLY	112-5290	
		9	Roller Brush Drive Shaft	All	BALL BEARING ASSEMBLY - OUTER SEAL ONLY	93-2559	
		14	Roller Brush Shaft	All	BALL BEARING ASSEMBLY - SINGLE ROW	95-0707	
		9	Groomer Drive Shaft	All	BALL BEARING ASSEMBLY - OUTER SEAL ONLY	93-2559	
		14	Groomer Reel	All	BALL BEARING ASSEMBLY - SINGLE ROW	95-0707	
	<i>Traction Unit</i>	16	2WD Rear Wheel - In/Out	All	ROLLER BEARING ASSEMBLY - TAPERED CONE	254-94	
		17	2WD Rear Wheel - In/Out	All	BEARING RACE - TAPERED CUP	254-72	
		Reelmaster 5500D	<i>Cutting Units</i>	14	Reel	All	BALL BEARING ASSEMBLY - DUAL ROW
7	Roller			All	BALL BEARING ASSEMBLY - OUTER SEAL ONLY	109966	
13	Roller Brush Shaft			All	BALL BEARING - SELF ALIGNING W/COLLAR	132-6979	
4	Roller Brush Drive Shaft			All	BALL BEARING ASSEMBLY - SINGLE ROW	98-5215	
8	Roller Brush Drive Belt Idler			All	BALL BEARING ASSEMBLY - SEALED	251-259	
<i>Traction Unit</i>	14		Groomer Reel	All	BALL BEARING ASSEMBLY - SINGLE ROW	95-0707	
	8		Dethatcher - Roller	All	BALL BEARING ASSEMBLY - SEALED	251-347	
	8		Neutral Centering Device	All	BALL BEARING ASSEMBLY - SEALED	251-259	
		7	Cooling Fan Shaft	All	BALL BEARING ASSEMBLY - OUTER SEAL ONLY	251-318	
		12	Front Axle - Outer Bearing	All	ROLLER BEARING ASSEMBLY	21-8180	
		16	2WD Rear Wheel - In/Out	All	ROLLER BEARING ASSEMBLY - TAPERED CONE	254-94	
		17	2WD Rear Wheel - In/Out	All	BEARING RACE - TAPERED CUP	254-72	

QUICK REFERENCE GUIDE

BEARINGS

Reelmaster® - continued

Equipment	Application	Fig. No.	Component	Year	Description	Part No.	Price Each	
Reelmaster 6500D 6700D	<i>SPA Cutting Units</i>	14	Reel	All	BALL BEARING ASSEMBLY - DUAL ROW	93-2489		
		7	Roller	All	BALL BEARING ASSEMBLY - OUTER SEAL ONLY	109966		
		13	Roller Brush Shaft	All	BALL BEARING - SELF ALIGNING W/COLLAR	132-6979		
		4	Roller Brush Drive Shaft	All	BALL BEARING ASSEMBLY - SINGLE ROW	98-5215		
		8	Roller Brush Drive Belt Idler	All	BALL BEARING ASSEMBLY - SEALED	251-259		
		14	Groomer Reel	All	BALL BEARING ASSEMBLY - SINGLE ROW	95-0707		
	<i>DPA Cutting Units</i>	8	Dethatcher - Roller	All	BALL BEARING ASSEMBLY - SEALED	251-347		
		14	Reel	All	BALL BEARING ASSEMBLY - DUAL ROW	93-2489		
		7	Front & Rear Roller	2007	BALL BEARING ASSEMBLY - OUTER SEAL ONLY	109966		
		7	Front & Rear Roller	2008 Up	BALL BEARING ASSEMBLY - OUTER SEAL ONLY	112-5290		
		9	Roller Brush Drive Shaft	All	BALL BEARING ASSEMBLY - OUTER SEAL ONLY	93-2559		
		14	Roller Brush Shaft	All	BALL BEARING ASSEMBLY - SINGLE ROW	95-0707		
		9	Groomer Drive Shaft	All	BALL BEARING ASSEMBLY - OUTER SEAL ONLY	93-2559		
		14	Groomer Reel	All	BALL BEARING ASSEMBLY - SINGLE ROW	95-0707		
	<i>Traction Unit</i>	16	2WD Rear Wheel - Inner	All	ROLLER BEARING ASSEMBLY - TAPERED CONE	254-106		
		17	2WD Rear Wheel - Inner	All	BEARING RACE - TAPERED CUP	254-107		
		16	2WD Rear Wheel - Outer	All	ROLLER BEARING ASSEMBLY - TAPERED CONE	254-92		
		17	2WD Rear Wheel - Outer	All	BEARING RACE - TAPERED CUP	254-72		
	Reelmaster 450D	<i>Cutting Unit</i>	15	Reel	All	BALL BEARING ASSEMBLY - DUAL ROW EXT. RACE	59-6140	
			2	Reel Adjust	1986-89	THRUST BEARING CAGE ASSEMBLY	257-6	
			16	Front & Rear Rollers	All	ROLLER BEARING ASSEMBLY - TAPERED CONE	254-78	
17			Front & Rear Rollers	All	BEARING RACE - TAPERED CUP	254-79		
<i>Traction Unit</i>		15	Dethatcher - Reel	All	BALL BEARING ASSEMBLY - DUAL ROW EXT. RACE	59-6140		
		16	2WD Rear Wheel - Inner	1991 Up	ROLLER BEARING ASSEMBLY - TAPERED CONE	254-106		
		17	2WD Rear Wheel - Inner	1991 Up	BEARING RACE - TAPERED CUP	254-107		
		16	2WD Rear Wheel - Outer	1991 Up	ROLLER BEARING ASSEMBLY - TAPERED CONE	254-92		
		17	2WD Rear Wheel - Outer	1991 Up	BEARING RACE - TAPERED CUP	254-72		
		Reelmaster 335D	<i>Cutting Unit</i>	15	Reel	All	BALL BEARING ASSEMBLY - DUAL ROW EXT. RACE	59-6140
16	Front & Rear Rollers			All	ROLLER BEARING ASSEMBLY - TAPERED CONE	254-78		
17	Front & Rear Rollers			All	BEARING RACE - TAPERED CUP	254-79		
15	Dethatcher - Reel			All	BALL BEARING ASSEMBLY - DUAL ROW EXT. RACE	59-6140		
<i>Traction Unit</i>	8		Neutral Centering Device	All	BALL BEARING ASSEMBLY - SEALED	251-259		
	16		2WD Rear Wheel - In/Out	All	ROLLER BEARING ASSEMBLY - TAPERED CONE	254-94		
	17		2WD Rear Wheel - In/Out	All	BEARING RACE - TAPERED CUP	254-72		
	Reelmaster 3500D		<i>Cutting Unit</i>	15	Reel	All	BALL BEARING ASSEMBLY - DUAL ROW EXT. RACE	59-6140
16		Front & Rear Rollers		All	ROLLER BEARING ASSEMBLY - TAPERED CONE	254-78		
17		Front & Rear Rollers		All	BEARING RACE - TAPERED CUP	254-79		
15		Dethatcher - Reel		All	BALL BEARING ASSEMBLY - DUAL ROW EXT. RACE	59-6140		
<i>Traction Unit</i>		8	Neutral Centering Device	All	BALL BEARING ASSEMBLY - SEALED	251-259		
		16	2WD Rear Wheel - Inner	All	ROLLER BEARING ASSEMBLY - TAPERED CONE	254-106		
		17	2WD Rear Wheel - Inner	All	BEARING RACE - TAPERED CUP	254-107		
		16	2WD Rear Wheel - Outer	All	ROLLER BEARING ASSEMBLY - TAPERED CONE	254-92		
Reelmaster 3550D	<i>Cutting Unit</i>	17	2WD Rear Wheel - Outer	All	BEARING RACE - TAPERED CUP	254-72		
		8	Front & Rear Roller	2013	BEARING - SEALED	115-3296		
	<i>Traction Unit</i>	7	Front & Rear Roller	2013	BEARING - STAINLESS STEEL	112-5290		
		9	Traction Control ASM	2013	BALL BEARING	251-259		
		17	Hydraulic Pump ASM	2013	BEARING - CUP	104-4046		
		16	Hydraulic Pump ASM	2013	BEARING - CONE	98-4639		
		2	Hydraulic Pump ASM	2013	BEARING - THRUST	252-66		

Reelmaster® - continued

Equipment	Application	Fig. No.	Component	Year	Description	Part No.	Price Each
Reelmaster 4000D	<i>Cutting Unit</i>	15	Reel	All	BALL BEARING ASSEMBLY - DUAL ROW EXT. RACE	59-6140	
		16	Front & Rear Rollers	All	ROLLER BEARING ASSEMBLY - TAPERED CONE	254-78	
Reelmaster 4500D	<i>Cutting Unit</i>	17	Front & Rear Rollers	All	BEARING RACE - TAPERED CUP	254-79	
		15	Dethatcher - Reel	All	BALL BEARING ASSEMBLY - DUAL ROW EXT. RACE	59-6140	
	<i>Traction Unit</i>	16	2WD Rear Wheel - Inner	All	ROLLER BEARING ASSEMBLY - TAPERED CONE	254-106	
		17	2WD Rear Wheel - Inner	All	BEARING RACE - TAPERED CUP	254-107	
		16	2WD Rear Wheel - Outer	All	ROLLER BEARING ASSEMBLY - TAPERED CONE	254-92	
		17	2WD Rear Wheel - Outer	All	BEARING RACE - TAPERED CUP	254-72	
Reelmaster 7000D	<i>Cutting Unit</i>	14	Reel	All	BALL BEARING ASSEMBLY - DUAL ROW	93-2489	
		7	Rear Roller	All	BALL BEARING ASSEMBLY - OUTER SEAL ONLY	112-5290	
Reelmaster Transport Frame	<i>Traction Unit</i>	16	Wheel	All	ROLLER BEARING ASSEMBLY - TAPERED CONE	254-62	
		17	Wheel	All	BEARING RACE - TAPERED CUP	115-9471	
	<i>Cutting Unit</i>	16	Reel	All	ROLLER BEARING ASSEMBLY - TAPERED CONE	254-94	
		17	Reel	All	BEARING RACE - TAPERED CUP	254-72	
		2	Reel Adjustment Knob	All	THRUST BEARING CAGE ASSEMBLY	257-6	
		16	Drive Wheel Gear Hub	All	ROLLER BEARING ASSEMBLY - TAPERED CONE	254-78	
		17	Drive Wheel Gear Hub	All	BEARING RACE - TAPERED CUP	254-79	
		3	Idler Pinion Gear	All	NEEDLE BEARING ASSEMBLY	252-6	
		16	Rear Roller	All	ROLLER BEARING ASSEMBLY - TAPERED CONE	254-78	
17	Rear Roller	All	BEARING RACE - TAPERED CUP	254-79			

Groundsmaster®

Equipment	Application	Fig. No.	Component	Year	DESCRIPTION	Part No.	Price Each
Groundsmaster 52 62	<i>Traction Unit</i>	8	Neutral Centering Device	All	BALL BEARING ASSEMBLY - SEALED	251-259	
		3	Steering Pivot Arm - Front	All	NEEDLE BEARING ASSEMBLY	252-6	
		12	Front Axle - Outer Bearing	All	ROLLER BEARING ASSEMBLY	21-8180	
Groundsmaster 72	<i>Deck</i>	7	Blade Spindle	1973-77	BALL BEARING ASSEMBLY - OUTER SEAL ONLY	251-257	
	<i>Traction Unit</i>	8	Neutral Centering Device	All	BALL BEARING ASSEMBLY - SEALED	251-259	
		13	Engine Output Shaft Support	All	BALL BEARING - SELF ALIGNING W/COLLAR	251-252	
		13	PTO Shaft Support	All	BALL BEARING - SELF ALIGNING W/COLLAR	251-252	
		12	Front Axle - Outer Bearing	All	ROLLER BEARING ASSEMBLY	21-8180	
Groundsmaster 200 Series	<i>52"/62" RD/SD</i>	6	Front Caster Wheel	1989 Up	ROLLER BEARING CAGE ASSEMBLY	62-5570	
		6	Front Caster Wheel	1989 Up	BEARING - FLANGE	62-5580	
	<i>72" SD Deck</i>	6	Front Caster Wheel	1989 Up	ROLLER BEARING CAGE ASSEMBLY	62-5570	
		6	Front Caster Wheel	1989 Up	BEARING - FLANGE	62-5580	
		6	Rear Caster Wheel	1998 Up	ROLLER BEARING CAGE ASSEMBLY	63-8580	
		6	Rear Caster Wheel	1998 Up	BEARING - FLANGE	62-5580	
	<i>62" Guardian</i>	6	Front & Rear Caster Wheel	All	ROLLER BEARING CAGE ASSEMBLY	83-4740	
		6	Front & Rear Caster Wheel	All	BEARING - FLANGE	62-5580	
	<i>Debris Blower</i>	6	Caster Wheel	All	ROLLER BEARING CAGE ASSEMBLY	62-5570	
		6	Caster Wheel	All	BEARING - FLANGE	62-5580	
	<i>Traction Unit</i>	8	Neutral Centering Device	All	BALL BEARING ASSEMBLY - SEALED	251-259	
		12	Front Axle - Outer Bearing	All	ROLLER BEARING ASSEMBLY	21-8180	
		16	2WD Rear Wheel - In/Out	All	ROLLER BEARING ASSEMBLY - TAPERED CONE	254-94	
		17	2WD Rear Wheel - In/Out	All	BEARING RACE - TAPERED CUP	254-72	
8		4WD Rear Axle Knuckle	1993-99	BALL BEARING ASSEMBLY - SEALED	251-347		
Groundsmaster 300 Series	<i>72" RD/SD</i>	21	Blade Spindle	All	BEARING & SPACER SET	49-8320	
		6	Front Caster Wheel	1988-91	ROLLER BEARING CAGE ASSEMBLY	62-5570	
		6	Front Caster Wheel	1992 Up	ROLLER BEARING CAGE ASSEMBLY	83-4740	
		6	Front Caster Wheel	1988 Up	BEARING - FLANGE	62-5580	
		6	Rear Caster Wheel	1988 Up	ROLLER BEARING CAGE ASSEMBLY	63-8580	
		6	Rear Caster Wheel	1988 Up	BEARING - FLANGE	62-5580	
		10	Foam Filled Caster Wheel	All	BALL BEARING ASSEMBLY - SEALED	120-5378	
		11	10" Segmented Caster Wheel	All	BALL BEARING ASSEMBLY - FLANGED	251-321	

QUICK REFERENCE GUIDE

BEARINGS

Groundsmaster® - continued

Equipment	Application	Fig. No.	Component	Year	Description	Part No.	Price Each
Groundsmaster 300 Series	<i>72" Guardian</i>	21	Blade Spindle	All	BEARING & SPACER SET	71-2530	
		6	Front & Rear Caster Wheel	All	ROLLER BEARING CAGE ASSEMBLY	83-4740	
		6	Front & Rear Caster Wheel	All	BEARING - FLANGE	62-5580	
		10	Foam Filler Caster Wheel	All	BALL BEARING ASSEMBLY - SEALED	120-5378	
		11	10" Segmented Caster Wheel	All	BALL BEARING ASSEMBLY - FLANGED	251-321	
	<i>72" Flex</i>	21	Blade Spindle	All	BEARING & SPACER SET	71-2530	
		6	Caster Wheel	All	ROLLER BEARING CAGE ASSEMBLY	62-5570	
		6	Caster Wheel	All	BEARING - FLANGE	62-5580	
		10	Foam Filler Caster Wheel	All	BALL BEARING ASSEMBLY - SEALED	120-5378	
		11	10" Segmented Caster Wheel	All	BALL BEARING ASSEMBLY - FLANGED	251-321	
	<i>88" TriFlex</i>	6	Front Caster Wheel	1988-90	ROLLER BEARING CAGE ASSEMBLY	62-5570	
		6	Front Caster Wheel	1991-94	ROLLER BEARING CAGE ASSEMBLY	83-4740	
		6	Front Caster Wheel	All	BEARING - FLANGE	62-5580	
		6	Rear Caster Wheel	All	ROLLER BEARING CAGE ASSEMBLY	63-8580	
		6	Rear Caster Wheel	All	BEARING - FLANGE	62-5580	
		10	Foam Filler Caster Wheel	All	BALL BEARING ASSEMBLY - SEALED	93-4237	
	<i>Debris Blower</i>	6	Caster Wheel	All	ROLLER BEARING CAGE ASSEMBLY	83-4740	
		6	Caster Wheel	All	BEARING - FLANGE	62-5580	
	<i>Traction Unit</i>	13	Engine Output Shaft Support	All	BALL BEARING - SELF ALIGNING W/COLLAR	251-252	
		13	PTO Shaft Support	All	BALL BEARING - SELF ALIGNING W/COLLAR	251-252	
		8	Neutral Centering Device	All	BALL BEARING ASSEMBLY - SEALED	251-259	
		12	Front Axle - Outer Bearing	All	ROLLER BEARING ASSEMBLY	21-8180	
		16	2WD Rear Wheel - In/Out	All	ROLLER BEARING ASSEMBLY - TAPERED CONE	254-94	
		17	2WD Rear Wheel - In/Out	All	BEARING RACE - TAPERED CUP	254-72	
		8	4WD Rear Axle Knuckle	1991-98	BALL BEARING ASSEMBLY - SEALED	251-347	
		17	2WD Wheel Motor & Spindle Assembly	All	BEARING RACE - TAPERED CUP	254-72	
	Groundsmaster 360	<i>Traction Unit</i>	16	2WD Wheel Motor & Spindle Assembly	All	ROLLER BEARING ASSEMBLY - TAPERED CONE	254-92
Groundsmaster 455D	<i>126" Quadfloat</i>	21	Blade Spindle	All	BEARING & SPACER SET	71-2530	
		10	Caster Wheels	1996-03	BALL BEARING ASSEMBLY - SEALED	120-5378	
		11	Segmented Caster Wheels	1992-00	BALL BEARING ASSEMBLY - FLANGED	251-321	
	<i>Traction Unit</i>	8	Neutral Centering Device	All	BALL BEARING ASSEMBLY - SEALED	251-259	
		16	2WD Rear Wheel - Inner	1992-93	ROLLER BEARING ASSEMBLY - TAPERED CONE	254-92	
		17	2WD Rear Wheel - Inner	1992-93	BEARING RACE - TAPERED CUP	254-72	
		16	2WD Rear Wheel - Inner	1994 Up	ROLLER BEARING ASSEMBLY - TAPERED CONE	254-106	
		17	2WD Rear Wheel - Inner	1994 Up	BEARING RACE - TAPERED CUP	254-107	
		16	2WD Rear Wheel - Outer	All	ROLLER BEARING ASSEMBLY - TAPERED CONE	254-92	
		17	2WD Rear Wheel - Outer	All	BEARING RACE - TAPERED CUP	254-72	
Groundsmaster 580D	<i>Center/Wing Decks</i>	21	Blade Spindle	All	BEARING & SPACER SET	71-2530	
		11	Caster Wheels	1989-95	BALL BEARING ASSEMBLY - FLANGED	251-321	
		10	Caster Wheels	1995 Up	BALL BEARING ASSEMBLY - SEALED	120-5378	
	<i>Traction Unit</i>	8	Neutral Centering Device	All	BALL BEARING ASSEMBLY - SEALED	251-259	
		5	Hydraulic Pump Drive Shaft	1995 Up	CROSS & BEARING ASSEMBLY	92-4187	
		16	2WD Rear Wheel - Inner	All	ROLLER BEARING ASSEMBLY - TAPERED CONE	254-106	
		17	2WD Rear Wheel - Inner	All	BEARING RACE - TAPERED CUP	254-107	
		16	2WD Rear Wheel - Outer	All	ROLLER BEARING ASSEMBLY - TAPERED CONE	254-92	
		17	2WD Rear Wheel - Outer	All	BEARING RACE - TAPERED CUP	254-72	
Groundsmaster 3000 3000D	<i>72" Decks</i>	21	Blade Spindle	All	BEARING & SPACER SET	71-2530	
		10	Front Caster Wheel	All	BALL BEARING ASSEMBLY - SEALED	120-5378	
	<i>Debris Blower</i>	6	Caster Wheel	All	ROLLER BEARING CAGE ASSEMBLY	83-4740	
		6	Caster Wheel	All	BEARING - FLANGE	62-5580	
	<i>Rotary Broom</i>	10	Front Caster Wheel	All	BALL BEARING ASSEMBLY - SEALED	120-5378	
	<i>Traction Unit</i>	16	2WD Rear Wheel - In/Out	1996-98	ROLLER BEARING ASSEMBLY - TAPERED CONE	254-94	
		16	2WD Rear Wheel - In/Out	1999-00	ROLLER BEARING ASSEMBLY - TAPERED CONE	254-92	
		17	2WD Rear Wheel - In/Out	All	BEARING RACE - TAPERED CUP	254-72	

Groundsmaster® - continued

Equipment	Application	Fig. No.	Component	Year	Description	Part No.	Price Each
Groundsmaster 3280D 3320	<i>52" SD Deck</i>	6	Front Caster Wheel	All	ROLLER BEARING ASSEMBLY	62-5570	
		6	Front Caster Wheel	All	BEARING - FLANGE	62-5580	
	<i>Traction Unit</i>	8	Front Caster Wheel	All	BALL BEARING ASSEMBLY - SEALED	120-5378	
		10	Neutral Centering Device	All	BALL BEARING ASSEMBLY - SEALED	251-259	
		12	Front Axle - Outer Bearing	All	ROLLER BEARING ASSEMBLY	21-8180	
		16	2WD Rear Wheel - In/Out	All	ROLLER BEARING ASSEMBLY - TAPERED CONE	254-94	
		17	2WD Rear Wheel - In/Out	All	BEARING RACE - TAPERED CUP	254-72	
Groundsmaster 4000D 4100D	<i>132"/124 RD</i>	10	Front Caster Wheel	All	BALL BEARING ASSEMBLY - SEALED	120-5378	
	<i>Debris Blower</i>	10	Front Caster Wheel	All	BALL BEARING ASSEMBLY - SEALED	120-5378	
	<i>Rotary Broom</i>	10	Front Caster Wheel	All	BALL BEARING ASSEMBLY - SEALED	120-5378	
Groundsmaster 3500D 3505D	<i>27" RD Deck</i>	10	Front Rollers	All	BALL BEARING ASSEMBLY - SEALED	120-3366	
		8	Rear Roller	2000-03	BALL BEARING ASSEMBLY - SEALED	251-347	
		7	Rear Roller	2004-06	BALL BEARING ASSEMBLY - OUTER SEAL ONLY	109966	
		7	Rear Roller	2007 Up	BALL BEARING ASSEMBLY - OUTER SEAL ONLY	112-5290	
	<i>Traction Unit</i>	8	Neutral Centering Device	All	BALL BEARING ASSEMBLY - SEALED	251-259	
		16	2WD Rear Wheel - In/Out	All	ROLLER BEARING ASSEMBLY - TAPERED CONE	254-94	
		17	2WD Rear Wheel - In/Out	All	BEARING RACE - TAPERED CUP	254-72	
Groundsmaster 4500D 4700D	<i>27" RD Deck</i>	10	Front Rollers	All	BALL BEARING ASSEMBLY - SEALED	120-3366	
		8	Rear Roller	2000-03	BALL BEARING ASSEMBLY - SEALED	251-347	
		7	Rear Roller	2004-06	BALL BEARING ASSEMBLY - OUTER SEAL ONLY	109966	
		7	Rear Roller	2007 Up	BALL BEARING ASSEMBLY - OUTER SEAL ONLY	112-5290	
Groundsmaster 7200 7210	<i>62"/72" Deck</i>	16	Front Caster Wheel Fork	All	ROLLER BEARING ASSEMBLY - TAPERED CONE	254-106	
		17	Front Caster Wheel Fork	All	BEARING RACE - TAPERED CUP	254-107	

Aerator

Equipment	Application	Fig. No.	Component	Year	Description	Part No.	Price Each
ProCore 440	<i>Aerator</i>	8	Flywheel Shaft	All	BALL BEARING ASSEMBLY - SEALED	100-5396	
		8	Stomper Arm	All	BALL BEARING ASSEMBLY - SEALED	100-7599	
		10	Bottom Link Arm	All	BALL BEARING ASSEMBLY - SEALED	100-7621	
ProCore 660 880	<i>Aerator</i>	8	Flywheel Shaft	All	BALL BEARING ASSEMBLY - SEALED	100-5396	
		8	Stomper Arm	All	BALL BEARING ASSEMBLY - SEALED	100-5386	
		10	Bottom Link Arm	All	BALL BEARING ASSEMBLY - SEALED	100-7621	
ProCore 648	<i>Aerator</i>	8	Neutral Centering Device	All	BALL BEARING ASSEMBLY - SEALED	251-259	
		8	Crank Arm	All	BALL BEARING ASSEMBLY - SEALED	105-0965	
		8	Stomper Arm	All	BALL BEARING ASSEMBLY - SEALED	106-8871	
ProCore 864 1298	<i>Aerator</i>	8	Crank Arm Housing	All	BALL BEARING ASSEMBLY - SEALED	110-4555	
		8	Stomper Arm	All	BALL BEARING ASSEMBLY - SEALED	110-4556	
		5	Drive Shaft (Shielded)	All	CROSS & BEARING ASSEMBLY	110-4635	
		5	Drive Shaft	All	CROSS & BEARING ASSEMBLY	110-4641	
		8	Drive Pulley Support	All	BALL BEARING ASSEMBLY - SEALED	106-8871	
ProCore Processor	<i>Aerator</i>	16	Wheel - Inner	All	ROLLER BEARING ASSEMBLY - TAPERED CONE	254-106	
		17	Wheel - Inner	All	BEARING RACE - TAPERED CUP	254-107	
		16	Wheel - Outer	All	ROLLER BEARING ASSEMBLY - TAPERED CONE	254-92	
		17	Wheel - Outer	All	BEARING RACE - TAPERED CUP	254-72	
Hydroject 3000 3010	<i>Aerator</i>	8	Neutral Centering Device	All	BALL BEARING ASSEMBLY - SEALED	251-259	
		16	Rear Wheel - In/Out	All	ROLLER BEARING ASSEMBLY - TAPERED CONE	254-94	
		17	Rear Wheel - In/Out	All	BEARING RACE - TAPERED CUP	254-72	
Hydroject Hitch Kit	<i>Aerator</i>	11	Caster Wheel	All	BALL BEARING ASSEMBLY - FLANGED	251-321	

Workman®

Equipment	Application	Fig. No.	Component	Year	DESCRIPTION	Part No.	Price Each
Workman 1110 2110	<i>Vehicle</i>	8	Steering Gearbox	All	BALL BEARING ASSEMBLY - SEALED	251-82	
		8	Steering Gearbox	All	BALL BEARING ASSEMBLY - SEALED	38-7820	
		8	Shift Lever Detent	All	BALL BEARING ASSEMBLY - SEALED	251-259	
		16	2WD Front Wheel - Inner	All	ROLLER BEARING ASSEMBLY - TAPERED CONE	254-106	
		17	2WD Front Wheel - Inner	All	BEARING RACE - TAPERED CUP	254-107	
		16	2WD Front Wheel - Outer	All	ROLLER BEARING ASSEMBLY - TAPERED CONE	254-94	
		17	2WD Front Wheel - Outer	All	BEARING RACE - TAPERED CUP	254-72	

QUICK REFERENCE GUIDE

BEARINGS

Workman® - continued

Equipment	Application	Fig. No.	Component	Year	Description	Part No.	Price Each		
Workman 1300D	<i>Vehicle</i>	5	Rear Axle Shafts	All	CROSS & BEARING ASSEMBLY	92-4187			
		19	Rear Axle Housings	All	BEARING & RETAINER SET	87-1970			
Workman 3100	<i>Vehicle</i>	5	Rear Axle Shafts	All	CROSS & BEARING ASSEMBLY	92-4187			
		19	Rear Axle Housings	All	BEARING & RETAINER SET	87-1970			
		16	2WD Front Wheel - Inner	All	ROLLER BEARING ASSEMBLY - TAPERED CONE	254-106			
		17	2WD Front Wheel - Inner	All	BEARING RACE - TAPERED CUP	254-107			
		16	2WD Front Wheel - Outer	All	ROLLER BEARING ASSEMBLY - TAPERED CONE	254-94			
		17	2WD Front Wheel - Outer	All	BEARING RACE - TAPERED CUP	254-72			
		20	Clutch Release	2006 Up	THRUST BEARING W/BRACKETS	110-2538			
		4	Transaxle Main Shaft	All	BALL BEARING ASSEMBLY - SINGLE ROW	251-8			
		27	Gearshaft Assembly	All	BEARING - BALL	251-346			
Workman Series 3200 3300 3400	<i>Vehicle</i>	8	Hydraulic Pump Drive Shaft	All	BALL BEARING ASSEMBLY - SEALED	251-82			
		5	Rear Axle Shafts	All	CROSS & BEARING ASSEMBLY	92-4187			
		19	Rear Axle Housings	All	BEARING & RETAINER SET	87-1970			
		16	2WD Front Wheel - Inner	All	ROLLER BEARING ASSEMBLY - TAPERED CONE	254-106			
		17	2WD Front Wheel - Inner	All	BEARING RACE - TAPERED CUP	254-107			
		16	2WD Front Wheel - Outer	All	ROLLER BEARING ASSEMBLY - TAPERED CONE	254-94			
		17	2WD Front Wheel - Outer	All	BEARING RACE - TAPERED CUP	254-72			
		20	Clutch Release	2006 Up	THRUST BEARING W/BRACKETS	110-2538			
		4	Transaxle Main Shaft	All	BALL BEARING ASSEMBLY - SINGLE ROW	251-8			
Workman Series 4200 4300	<i>Vehicle</i>	8	Hydraulic Pump Drive Shaft	All	BALL BEARING ASSEMBLY - SEALED	251-82			
		5	Rear Axle Shafts	All	CROSS & BEARING ASSEMBLY	92-4187			
		19	Rear Axle Housings	All	BEARING & RETAINER SET	87-1970			
		20	Clutch Release	2006 Up	THRUST BEARING W/BRACKETS	110-2538			
		4	Transaxle Main Shaft	All	BALL BEARING ASSEMBLY - SINGLE ROW	251-8			
		27	Gearshaft Assembly	All	BEARING - BALL	251-346			
		Workman MDE	<i>Vehicle</i>	8	Steering Gearbox	All	BALL BEARING ASSEMBLY - SEALED	251-82	
				8	Steering Gearbox	All	BALL BEARING ASSEMBLY - SEALED	38-7820	
				16	2WD Front Wheel - Inner	All	ROLLER BEARING ASSEMBLY - TAPERED CONE	254-106	
17	2WD Front Wheel - Inner			All	BEARING RACE - TAPERED CUP	254-107			
16	2WD Front Wheel - Outer			All	ROLLER BEARING ASSEMBLY - TAPERED CONE	254-94			
17	2WD Front Wheel - Outer			All	BEARING RACE - TAPERED CUP	254-72			
Workman MD MDX	<i>Vehicle</i>	8	Steering Gearbox	All	BALL BEARING ASSEMBLY - SEALED	251-82			
		8	Steering Gearbox	All	BALL BEARING ASSEMBLY - SEALED	38-7820			
		8	Shift Lever Detent	All	BALL BEARING ASSEMBLY - SEALED	251-259			
		16	2WD Front Wheel - Inner	All	ROLLER BEARING ASSEMBLY - TAPERED CONE	254-106			
		17	2WD Front Wheel - Inner	All	BEARING RACE - TAPERED CUP	254-107			
		16	2WD Front Wheel - Outer	All	ROLLER BEARING ASSEMBLY - TAPERED CONE	254-94			
		17	2WD Front Wheel - Outer	All	BEARING RACE - TAPERED CUP	254-72			
Workman HD HDX HDX-D HDX Auto	<i>Vehicle</i>	5	Rear Axle Shafts	All	CROSS & BEARING ASSEMBLY	92-4187			
		20	Clutch Release	All	THRUST BEARING W/BRACKETS	110-2538			
		4	Transaxle Main Shaft	All	BALL BEARING ASSEMBLY - SINGLE ROW	251-8			
		27	Gearshaft Assembly	All	BEARING - BALL	251-346			

QUICK REFERENCE GUIDE

BEARINGS

Multi Pro®

Equipment	Application	Fig. No.	Component	Year	Description	Part No.	Price Each
Multi Pro 1100	<i>Traction Unit</i>	8	Transmission Input Shaft	All	BALL BEARING ASSEMBLY - SEALED	251-82	
		12	Rear Axle - Inner/Outer	All	ROLLER BEARING ASSEMBLY	21-8180	
		16	Front Wheel - In/Out	All	ROLLER BEARING ASSEMBLY - TAPERED CONE	254-94	
		17	Front Wheel - In/Out	All	BEARING RACE - TAPERED CUP	254-72	
Multi Pro 1200 1250 1750	<i>Traction Unit</i>	16	Gearbox Output Shaft	All	ROLLER BEARING ASSEMBLY - TAPERED CONE	254-94	
		17	Gearbox Output Shaft	All	BEARING RACE - TAPERED CUP	254-72	
		19	Rear Axle Housings	All	BEARING & RETAINER SET	87-1970	
		5	Rear Axle Shafts	All	CROSS & BEARING ASSEMBLY	92-4187	
		16	2WD Front Wheel - In/Out	All	ROLLER BEARING ASSEMBLY - TAPERED CONE	254-92	
		17	2WD Front Wheel - In/Out	All	BEARING RACE - TAPERED CUP	254-72	
		27	Gearshaft Assembly	All	BEARING - BALL	251-346	
Multi Pro 5800D	<i>Traction Unit</i>	8	Front Wheel	All	BEARING - SPINDLE ASSEMBLY	93-6587	
		17	Front Wheel	All	BEARING - SPINDLE ASSEMBLY CUP	115-9471	
		16	Front Wheel	All	BEARING - SPINDLE ASSEMBLY CONE	254-62	

Specialty Turf Equipment

Equipment	Application	Fig. No.	Component	Year	Description	Part No.	Price Each
Rac-O-Vac Sweeper		16	Wheel Hub ASM	2013	ROLLER-BEARING, CONE	254-62	
		16	Wheel Hub ASM	2013	ROLLER-BEARING, CONE	254-65	
		17	Wheel Hub ASM	2013	ROLLER-BEARING, CUP	254-66	
		17	Wheel Hub ASM	2013	ROLLER-BEARING, CUP	115-9471	
		NA	Blower Fan	2013	BALL BEARING	56-6220	
		NA	Rake ASM	2013	ROLLER	56-6230	
ProStripe 560		8	Lower ASM	All	BEARING	111-1276	
		8	Lower ASM	All	ROLLER BEARING	111-1492	
ProCore Core Processor	<i>Aerator</i>	16	Wheel - Inner	All	ROLLER BEARING ASSEMBLY - TAPERED CONE	254-106	
		17	Wheel - Inner	All	BEARING RACE - TAPERED CUP	254-107	
		16	Wheel - Outer	All	ROLLER BEARING ASSEMBLY - TAPERED CONE	254-92	
		17	Wheel - Outer	All	BEARING RACE - TAPERED CUP	254-72	

QUICK REFERENCE GUIDE

BEDKNIVES

Bedknife Reference Chart

Greensmasters	Bedknife Description	HOC Range	Hole #	Lip Height	Standard P/N	EdgeMax P/N	EdgeMax	Top Angle	Front Angle
	18" Micro Cut	1/16-3/16" (1.6-4.8 mm)	11		98-7261	117-1530	Solid	3°	13° + 4° - 0°
Greensmaster Flex 18/1800/1820, eFlex 18/1800/1820 and Greensmaster 800	18" Micro Cut Extended*	1/16-3/16" (1.6-4.8 mm)	11		110-2300			7°	13° + 4° - 0°
	18" Tournament Cut	1/8-1/2" (3.2-12.7 mm)	11		98-7260	117-1532	Solid	3°	13° + 4° - 0°
	18" Low Cut	3/16-1" (4.8-25.4 mm)	11		110-2301			3°	13° + 4° - 0°
Greensmaster 500	21" Micro Cut	1/16-3/16" (1.6-4.8 mm)	6		95-3147			0°	30° ± 4°
	21" Low Tournament Cut	3/16-1" (4.8-25.4 mm)	6		88-9000			0°	30° ± 4°
	21" High Tournament Cut	3/16-1" (4.8-25.4 mm)	6		88-8990			0°	30° ± 4°
Greensmaster 300 Series 4-bolt Cutting Units	21" Tournament Cut	1/8-1/2" (3.2-12.7 mm)	7		94-6394			3°	13° + 4° - 0°
	21" Low Cut	3/16-1" (4.8-25.4 mm)	7		94-6395			3°	13° + 4° - 0°
	21" High Cut	5/16-1" (7.9-25.4 mm)	7		94-6396			3°	13° + 4° - 0°
	21" Fairway Cut	3/8-1" (9.5-25.4 mm)	7	.270" (insert)	63-8610	112-7475	Insert	3°	13° + 4° - 0°
Greensmaster 3000 / 3100 3200 / 3300 Series SPA, 4-Bolt, and DPA Cutting Units; Greensmaster Flex 21/2100/2120, eFlex 21/2100/2120 and Greensmaster 1000 / 1010 / 2000	21" Micro Cut	1/16-3/16" (1.6-4.8 mm)	13		93-4262	115-1880	Solid	3°	13° + 4° - 0°
	21" Micro Extended*	1/16-3/16" (1.6-4.8 mm)	13		108-4303			7°	13° + 4° - 0°
	21" Tournament Cut	1/8-1/2" (3.2-12.7 mm)	13		93-4263	115-1881	Solid	3°	13° + 4° - 0°
	21" Tournament Cut Extended*	1/8-1/2" (3.2-12.7 mm)	13		108-4302			7°	13° + 4° - 0°
	21" Low Cut	3/16-1" (4.8-25.4 mm)	13		93-4264			3°	13° + 4° - 0°
	21" High Cut	5/16-1" (7.9-25.4 mm)	13		94-6392			3°	13° + 4° - 0°
Greensmaster 1600 / 1610 / 2600	21" Fairway Cut	3/8-1" (9.5-25.4 mm)	13	.270" (insert)	63-8600	112-7475	Insert (7 hole)	3°	13° + 4° - 0°
	26" Micro Cut	1/16-3/16" (1.6-4.8 mm)	16		112-9275			3°	13° + 4° - 0°
	26" Tournament Cut	1/8-1/2" (3.2-12.7 mm)	16		94-5885	117-1548	Solid	3°	13° + 4° - 0°
	26" Low Cut	3/16-1" (4.8-25.4 mm)	16		93-9015			3°	13° + 4° - 0°
	26" High Cut	5/16-1" (7.9-25.4 mm)	16		104-2646			3°	13° + 4° - 0°
CT2120 / 2140 / 2240, LT3240 LT 3340, Reelmaster 3320D 3240D / 4240D and T4240	26" Fairway Cut	3/8-1" (9.5-25.4 mm)	16		107-8181			3°	13° + 4° - 0°
	30" Bedknife - 4 Blade Reel	1/2" (12.7 mm) and up	8		876008			3.5°	4°
	30" Bedknife - 6 Blade Reel	1/2" (12.7 mm) and up	8		876008			3.5°	4°
	30" Bedknife - 8 Blade Reel	1/2" (12.7 mm) and up	8		876008			3.5°	4°
	30" Bedknife - 10 Blade Reel	1/2" (12.7 mm) and up	8		876008			3.5°	4°

* If you experience scalping with the aggressive bedbar, use the extended bedknives

Bedknife Reference Chart

Reelmaster	Bedknife Description	HOC Range	Hole #	Lip Height	Standard P/N	EdgeMax P/N	EdgeMax Type	Top Angle	Front Angle
Reelmaster 223D / 5100D / 5200D / 5300D / 5400D	21" Fairway Cut	3/8" (9.5 mm) and up	7	.260" & .270"	63-8610	112-7475	Insert	10°	10° & 5°
	21" High Cut - Heavy Duty	1/2" (12.7 mm) and up	7	.345"	100-3350			10°	10°
	18" Low Cut	1/4-1/2" (6.1-12.7 mm)	6	.220"	121-3167	130-4745	Insert	10°	5°
Reelmaster 3550D	18" Fairway Cut	3/8" (9.5 mm) and up	6	.270"	121-3166	121-3165	Insert	10°	5°
	22" Low Cut	1/4-1/2" (6.1-12.7 mm)	8	.220"	110-4084	127-7132	Insert	10°	5°
	22" Fairway Cut	3/8" (9.5 mm) and up	8	.270"	108-9096	108-9095	Insert	10°	5°
Reelmaster 5500D / 6500D / 6700D SPA Cutting Units	22" Fairway Cut	3/8" (9.5 mm) and up	8	.295" & .270"	93-9774	108-9095	Insert	10°	30° & 5°
	22" Fairway Cut Extended	3/8" (9.5 mm) and up	8	.295"	94-8936			10°	30°
	22" Fairway Cut - Heavy Duty	1/2" (12.7 mm) and up	8	.345"	104-1810			10°	10°
Reelmaster 5210 / 5410 / 5510 / 5610 / 5010-H and 6500D / 6700D DPA Cutting Units	22" Low Cut	1/4-1/2" (6.1-12.7 mm)	8	.220"	110-4084	127-7132	Insert	10°	5°
	22" Low Cut Extended	1/4-1/2" (6.1-12.7 mm)	8	.220"	120-1640	119-4280	Solid	10°	10°
	22" Fairway Cut	3/8" (9.5 mm) and up	8	.270"	108-9096	108-9095	Insert	10°	5°
	22" Fairway Cut - Heavy Duty	1/2" (12.7 mm) and up	8	.370"	110-4074			10°	5°
Reelmaster 216 / 216D / 2000D / 2300D / 2600D / 3100D and Grounds Pro 2000 / 2000D SPA Cutting Units	27" Fairway Cut	3/8" (9.5 mm) and up	10	.280" & .270"	105-6785	112-8910	Insert	10°	30° & 5°
	27" Fairway Cut - Heavy Duty	1/2" (12.7 mm) and up	10	.360"	104-1380			10°	10°
	32" Fairway Cut	3/8" (9.5 mm) and up	12	.280" & .270"	94-5079	112-8956	Insert	10°	30° & 5°
	32" Fairway Cut - Heavy Duty	1/2" (12.7 mm) and up	12	.360"	104-1381			10°	10°
Reelmaster 3100D and 700D DPA Cutting Units	27" Low Cut Extended	1/4-1/2" (6.1-12.7 mm)	10	.220"	120-1641			10°	10°
	27" Fairway Cut	3/8" (9.5 mm) and up	10	.270"	114-9388	112-8910	Insert	10°	5°
	27" Fairway Cut - Heavy Duty	1/2" (12.7 mm) and up	10	.370"	114-9390			10°	5°
	32" Low Cut Extended	1/4-1/2" (6.1-12.7 mm)	12	.220"	120-1642			10°	10°
	32" Fairway Cut	3/8" (9.5 mm) and up	12	.270"	114-9389	112-8956	Insert	10°	5°
	32" Fairway Cut - Heavy Duty	1/2" (12.7 mm) and up	12	.370"	114-9391			10°	5°
Reelmaster 335D / 3500D / 450D / 4000D / 4500D	30" Bedknife - 5 Blade Reel	3/8" (9.5 mm) and up	10	.470"	72-0480			10°	30°
	30" Bedknife - 7 Blade Reel	3/8" (9.5 mm) and up	10	.358"	59-5890			10°	30°
	30" Bedknife - 11 Blade Reel	3/8" (9.5 mm) and up	10	.281"	76-3620			10°	30°
TDM / Gang mowers	31" Bedknife - 5 & 7 Blade Reel	3/8" (9.5 mm) and up	11	.280"	47-6680			10°	30°
	31" Bedknife - 11 Blade Reel	3/8" (9.5 mm) and up	11	.380"	49-7660			10°	30°

** Fairway service limit (worn out condition) is bedknife lip height of 0.190".

QUICK REFERENCE GUIDE

BELTS

Riding Greensmaster®

Equipment	Description	Application	Part No.	Price Each
Greensmaster 500	V-BELT	Transmission/Clutch	95-1811	
Greensmaster 800	BELT	Reel Drive	65-6200	
	BELT	Transport Wheel Drive	65-6210	
	BELT	Drum Drive	65-9080	
	BELT	Groomer Drive	65-9700	
	V-BELT (SET OF 2)	Countershaft Drive	92-9218	
Greensmaster 1000	BELT	Reel Drive	65-6200	
	BELT	Transport Wheel Drive	65-6210	
	BELT	Drum Drive	65-9080	
	BELT	Groomer Drive	65-9700	
	V-BELT (SET OF 2)	Countershaft Drive (1990-95 - 04050 & 04051)	65-7270	
	V-BELT (SET OF 2)	Countershaft Drive (1995 & Up - 04052)	92-9218	
Greensmaster 1600 2600	BELT	Reel Drive	65-6200	
	BELT	Transport Wheel Drive	65-6210	
	BELT	Drum Drive	65-9080	
	BELT	Groomer Drive	65-9700	
	V-BELT (SET OF 2)	Countershaft Drive	92-9218	
Greensmaster Flex 18/1820	BELT	Reel Drive	99-2022	
	BELT	Drum Drive	117-1353	
	BELT	Groomer Drive	120-2763	
	BELT	Reel Drive	115-6743	
	BELT	Drum Drive	115-6744	
Greensmaster Flex 21/2120	BELT	Reel Drive	99-2022	
	BELT	Drum Drive (2001-2005)	99-2023	
	BELT	Drum Drive (2006 & Up)	117-1353	
	BELT	Groomer Drive	120-2763	
	BELT	Reel Drive	115-6743	
	BELT	Drum Drive	115-6744	
Greensmaster 3000D	V-BELT	Alternator/Water Pump Drive (1989-1996)	67-4410	
Greensmaster Cutting Units	MULTI-ROW V-BELT	Groomer Drive (3050 & 3200 Style Cutting Units)	95-0728	
	BELT	Groomer Drive (3/300/3000 Style Cutting Units)	65-9700	
	BELT	Groomer Drive (DPA Cutting Units)	120-2763	
	V-BELT	Right Hand Roller Brush Assembly	105-5720	
Greensmaster 3300 3320 3400 3420	V-BELT	Alternator/Engine ASM	119-4486	
	V-BELT	Generator and Engine Frame ASM	117-4464	

Reelmaster®

Equipment	Description	Application	Part No.	Price Each
Reelmaster 216	V-BELT	Reel Drive	61-3380	
	BELT	Jackshaft Drive	61-3390	
	MULTI-ROW V-BELT	Pump Drive	61-3400	
Reelmaster 216D	V-BELT	Cooling Fan Drive	83-9020	
	MULTI-ROW V-BELT	Jackshaft Drive	92-3187	
Reelmaster 2000D 2300D 2600D	MULTI-ROW V-BELT	Pump Drive	93-6840	
Reelmaster 3100D	MULTI-ROW V-BELT	Pump Drive	95-8730	
	V-BELT	Alternator Drive	99-3467	
Reelmaster 335D 3500D 3550D	BELT	Reel Drive	47-7160	
	BELT	Dethatcher Reel Drive	47-7160	
	BELT	Timing Belt	74-8830	
	BELT	V-Belt Alternator and pulley system	104-3494	
	BELT	3V-Belt Piston Pump and Gear Asm	99-3619	

QUICK REFERENCE GUIDE

BELTS

Reelmaster®

Equipment	Description	Application	Part No.	Price Each
Reelmaster 450D	BELT	Reel Drive	47-7160	
	BELT	Dethatcher Reel Drive	47-7160	
	BELT	Fan Belt	62-6390	
Reelmaster 4000D	BELT	Reel Drive	47-7160	
	BELT	Dethatcher Reel Drive	47-7160	
	V-BELT	Alternator Drive	98-7705	
Reelmaster 4500D	BELT	Reel Drive	47-7160	
	BELT	Dethatcher Reel Drive	47-7160	
Reelmaster 223D 5100D 5300D	V-BELT	Alternator/Water Pump Drive	67-4410	
Reelmaster 5200D 5400D	V-BELT	Alternator Drive	98-9676	
	BELT	Rear Roller Brush Drive	108-6709	
Reelmaster 5500D	V-BELT	Cooling Fan Drive	98-3921	
	V-BELT	Alternator Drive	98-9676	
	BELT	Rear Roller Brush Drive	108-6713	
	BELT	Groomer Drive	108-0617	
Reelmaster 5210 5410	V-BELT	Alternator Drive	98-9676	
	BELT	Rear Roller Brush Drive	110-1746	
	BELT	Groomer Drive	108-4497	
Reelmaster 5510 5610	V-BELT	Alternator Drive	98-9676	
	BELT	Rear Roller Brush Drive	110-1747	
	BELT	Groomer Drive	110-1716	
Reelmaster 6500D 6700D	MULTI-ROW V-BELT	Alternator Drive - Peugeot	94-3256	
	V-BELT	Alternator Drive - Kubota	98-9676	
	BELT	Rear Roller Brush Drive	108-6713	
	BELT	Timing Belt (1995-2001 serial up to 210999999)	74-8830	
	BELT	Rear Roller Brush Drive (SPA Cutting Units)	108-6713	
	BELT	Groomer Drive (SPA Cutting Units)	108-0617	
	BELT	Rear Roller Brush Drive (DPA Cutting Units)	110-1747	
	BELT	Groomer Drive (DPA Cutting Units)	110-1716	
Reelmaster 7000D	BELT	Alternator/Pulley ASM	120-5824	

Groundsmaster®

Equipment	Description	Application	Part No.	Price Each
Groundsmaster 52	V-BELT	PTO Drive (2 Req'd.)	41-9150	
Groundsmaster 62	MULTI-ROW V-BELT	PTO Drive	44-8990	
Groundsmaster 217D	MULTI-ROW V-BELT	PTO Drive	44-8990	
Groundsmaster 220	MULTI-ROW V-BELT	PTO Drive	44-8990	
Groundsmaster Series Decks 52 62 200	V-BELT	52" RD & SD Deck - Spindle Drive	27-1160	
	V-BELT	62" RD & SD Deck - Spindle Drive	44-6260	
	V-BELT	62" Guardian - Spindle Drive	92-5588	
	V-BELT	72" SD Deck - Spindle Drive	57-0240	
Groundsmaster 223D	V-BELT	PTO Drive	63-6240	
	V-BELT	Alternator/Water Pump Drive (1992-1997)	67-4410	
Groundsmaster 224	V-BELT	PTO Drive	63-6240	
	V-BELT	Alternator/Water Pump Drive	67-4410	
Groundsmaster 225	V-BELT	PTO Drive	63-6240	
	V-BELT	Alternator/Water Pump Drive (1999-2004)	99-9156	
Groundsmaster 228D	V-BELT	PTO Drive	63-6240	
	V-BELT	Alternator/Water Pump Drive	104-3494	

QUICK REFERENCE GUIDE

BELTS

Groundsmaster® - continued

Equipment	Description	Application	Part No.	Price Each
Groundsmaster 322D 325D	MULTI-ROW V-BELT	PTO Drive	106-4383	
	V-BELT	Alternator Drive	42-9100	
	BELT	Fan Belt	43-5910	
Groundsmaster 327	MULTI-ROW V-BELT	PTO Drive	106-4383	
Groundsmaster 328D	V-BELT	Alternator Drive	98-9676	
	MULTI-ROW V-BELT	PTO Drive	106-4383	
	BELT	Fan Belt	105-3693	
Groundsmaster 345	MULTI-ROW V-BELT	PTO Drive	106-4383	
	V-BELT	Fan Belt	67-8510	
	V-BELT	Alternator Drive (1994-2004)	92-9785	
Groundsmaster 300 Series Decks	V-BELT	72" RD & SD Deck - Spindle Drive (3 Reqd.)	21-0890	
	HEX-BELT	72" Guardian Deck - Spindle Drive	93-8457	
	V-BELT	88" Triflex Center Deck - Spindle Drive	63-1510	
	V-BELT	88" Triflex Wing Decks - Spindle Drive	72-3760	
	V-BELT	72" Flex Deck Center Deck - Spindle Drive	99-9770	
	V-BELT	72" Flex Deck Wing Deck - Spindle Drive	99-9771	
Groundsmaster 3000 3000D	HEX-BELT	72" SD & RD & Guardian - Spindle Drive	93-8457	
	V-BELT	84" RD & Guardian - Wing Deck Drive	93-4839	
	HEX-BELT	84" RD & Guardian - Center Deck Drive	93-4838	
Groundsmaster 3280D	MULTI-ROW V-BELT	PTO Drive	63-6240	
	V-BELT	Alternator/Water Pump Drive	104-3494	
Groundsmaster 3320	MULTI-ROW V-BELT	PTO Drive	63-6240	
	V-BELT	Alternator/Water Pump Drive	99-9156	
Groundsmaster 360	V-BELT	Engine Component Assembly	115-0123	
	V-BELT	Air Conditioning Assembly	117-3399	
	V-BELT	72" Guardian Deck - Right Spindle Drive	110-9592	
	V-BELT	72" Guardian Deck - Left Spindle Drive	110-9593	
	V-BELT	72" SD Deck - Left Spindle Drive	110-9591	
	V-BELT	72" SD Deck - Right Spindle Drive	110-9590	
Groundsmaster 3500D 3505D	V-BELT	Alternator Drive	98-9676	
	MULTI-ROW V-BELT	Hydrostat Drive	99-3619	
Groundsmaster 4000D	V-BELT	Spindle Drive	55-7660	
	V-BELT	Alternator Drive	98-7705	
Groundsmaster 4100D	V-BELT	Alternator Drive	98-7705	
Groundsmaster 4300D	V-BELT	Fan / Alternator	98-9676	
	V-BELT	Alternator Drive	98-7705	
Groundsmaster 455D	MULTI-ROW V-BELT	Alternator Drive	94-3256	
	V-BELT	Wing Decks - Spindle Drive (1992-00 #20000200)	86-1960	
	V-BELT	Wing Decks - Spindle Drive (2000 #20000201-03)	100-2588	
	V-BELT	126" Quadfloat Center Deck - Spindle Drive	86-1970	
	BELT	Timing Belt	74-8830	
Groundsmaster 580D	HEX-BELT	Center Deck - Spindle Drive	93-8457	
	V-BELT	Wing Deck - Spindle Drive	99-2318	
Groundsmaster 5900 / 5910	V-BELT	Center Deck - Spindle Drive	112-7376	
	V-BELT	Center & Wing Deck - Spindle Drive	112-7377	
Groundsmaster 7200 7210	V-BELT	Alternator Drive	98-9676	
	V-BELT	62" Guardian Deck - Left Spindle Drive	110-9595	
	V-BELT	62" Guardian Deck - Right Spindle Drive	110-9594	
	V-BELT	72" Guardian Deck - Left Spindle Drive	110-9593	
	V-BELT	72" Guardian Deck - Right Spindle Drive	110-9592	
	V-BELT	72" SD Deck - Left Spindle Drive	110-9591	

Aerator

Equipment	Description	Application	Part No.	Price Each
ProCore 440	V-BELT	72" SD Deck - Right Spindle Drive	110-9590	
	MULTI-ROW V-BELT	Stomper Arm Drive	100-7644	
ProCore 660 880	MULTI-ROW V-BELT	Tine Drive	100-5392	
	MULTI-ROW V-BELT	Stomper Arm Drive	100-5392	
ProCore 648	MULTI-ROW V-BELT	Primary Drive Belt	105-0989	
	MULTI-ROW BELT	Secondary Drive Belt	105-0991	
ProCore 864 1298	MULTI-ROW BELT	Secondary Drive Belt	110-4327	

Workman®

Equipment	Description	Application	Part No.	Price Each
Workman 1100	MULTI-ROW BELT	Transmission Drive	99-7143	
Workman 1300D	V-BELT	Hydraulic Pump Drive	93-7140	
	V-BELT	Alternator/Water Pump Drive	98-2947	
Workman 2100 2110	V-BELT	Starter	99-7133	
	V-BELT	CVT Transmission Drive	99-7144	
Workman 3100 3120	V-BELT	Hydraulic Pump Drive	87-8370	
Workman 3200 4200	V-BELT	Governor Drive (1993-2001)	87-3200	
	V-BELT	Hydraulic Pump Drive (1993-2001)	87-3210	
	V-BELT	Hydraulic Pump Drive (2002 & Up)	93-7140	
	V-BELT	Alternator/Water Pump Drive (1993-2001)	92-2041	
	V-BELT	Alternator/Water Pump Drive (2002 & Up)	99-9156	
Workman 210 3220 3420	V-BELT	Governor Drive	87-3200	
	V-BELT	Alternator/Water Pump Drive	92-2041	
Workman 3300D 4300D	V-BELT	Hydraulic Pump Drive (1993-1997)	87-3210	
	V-BELT	Hydraulic Pump Drive (1998 & Up)	93-7140	
	V-BELT	Alternator/Water Pump Drive (1993-1997)	67-4410	
	V-BELT	Alternator/Water Pump Drive (1998-2001)	98-2947	
	V-BELT	Alternator/Water Pump Drive (2002 & Up)	99-9156	
Workman 3310D 3320D	V-BELT	Hydraulic Pump Drive	93-7140	
	V-BELT	Alternator/Water Pump Drive	98-2947	
Workman MD	V-BELT	Starter	112-3131	
	MULTI-ROW BELT	Transmission Drive	99-7143	
Workman MDX	V-BELT	Starter	112-2911	
	MULTI-ROW BELT	Transmission Drive	112-2912	
Workman HD	V-BELT	Hydraulic Pump Drive	87-8370	
Workman HDX/HDX-D	V-BELT	Alternator/Water Pump Drive (2009-2013)	117-4922	
Workman HDX/HDX-D	V-BELT	Alternator/Water Pump Drive (2013 & Up)	110-3796	
HDX Auto	BELT-CVT	Belt-Gearbox Assembly	121-9612	

QUICK REFERENCE GUIDE

BELTS

Multi Pro®

Equipment	Description	Application	Part No.	Price Each
1100	BELT	Traction Drive	41679	
1200 1250	BELT	Engine and Gearbox Assembly	117-5896	
5700	V-BELT	Alternator Drive	98-9676	
5800	V-BELT	Alternator Drive	98-9676	

Specialty Equipment

Equipment	Description	Application	Part No.	Price Each
ProCore Core Processor	V-BELT	Engine Drive (Set of 3)	110-2772	
	V-BELT	Chopper Drive	115-8957	
	BELT	Brush Drive	112-4254	
	V-BELT	Corner Shaft	115-2951	
Rac-O-Vac Sweeper	V-BELT	Engine & Clutch / Muffler Assembly	13-2650	
	V-BELT	Impeller / Engine, Clutch & Muffler Assembly	93-0183	
	V-BELT	Guard Assembly	93-4034	
ProStripe 560	BELT	BELT-VARIATOR (520)	411024	

QUICK REFERENCE GUIDE

BLADES

Groundsmaster®

Equipment	Description	Application	Part No.	Price Each
Groundsmaster Series Decks 52 62 200	STANDARD BLADE	52"/132.1 cm SD & RD Deck (18"/45.7 cm Blade)	27-0990-03	
	HIGH SAIL BLADE	52"/132.1 cm SD & RD Deck (18"/45.7 cm Blade)	44-5480	
	ATOMIC BLADE	52"/132.1 cm SD & RD Deck (18"/45.7 cm Blade)	104-1301	
	ATOMIC BLADE SERVICE PACK	52"/132.1 cm SD & RD Deck (6 #104-1301 Blades)	108-1477	
	STANDARD BLADE	62"/157.5 cm Guardian (21.75"/55.2 cm Blade)	92-5608-03	
	STANDARD BLADE	62"/157.5 cm SD & RD Deck (21.75"/55.2 cm Blade)	44-6250-03	
	HIGH SAIL BLADE	62"/157.5 cm SD & RD Deck (21.75"/55.2 cm Blade)	77-6710-03	
	ATOMIC BLADE	62"/157.5 cm SD & RD Deck (21.75"/55.2 cm Blade)	104-1303	
	ATOMIC BLADE SERVICE PACK	62"/157.5 cm SD & RD Deck (6 #104-1303 Blades)	106-0631	
	STANDARD BLADE	72"/182.9 cm SD & RD Deck (24.75"/62.9 cm Blade)	94-1861-03	
Groundsmaster Series Decks 72 300	HIGH SAIL BLADE	72"/182.9 cm SD & RD Deck (24.75"/62.9 cm Blade)	104-4569-03	
	ATOMIC BLADE	72"/182.9 cm SD & RD Deck (24.75"/62.9 cm Blade)	104-1304	
	ATOMIC BLADE SERVICE PACK	72"/182.9 cm SD & RD Deck (6 #104-1304 Blades)	108-1478	
	STANDARD BLADE	72"/182.9 cm Guardian (25"/63.5 cm Blade)	85-6040-03	
	STANDARD BLADE	72"/182.9 cm SD & RD Deck (25"/63.5 cm Blade)	29-5530-03	
	HIGH SAIL BLADE	72"/182.9 cm SD & RD Deck (25"/63.5 cm Blade)	23-2410-03	
	ATOMIC BLADE	72"/182.9 cm SD & RD Deck (25"/63.5 cm Blade)	106-4353-03	
	ATOMIC BLADE SERVICE PACK	72"/182.9 cm SD & RD Deck (6 #106-4354 Blades)	108-1454	
	STANDARD BLADE	88"/223.5 cm Triflex Deck (19"/48.3 cm Blade)	63-0080-03	
	Groundsmaster 455D	STANDARD BLADE	126"/320.0 cm Quadfloat Deck (19"/48.3 cm Blade)	86-0010-03
ATOMIC BLADE		126"/320.0 cm Quadfloat Deck (19"/48.3 cm Blade)	107-0216-03	
ATOMIC BLADE SERVICE PACK		126"/320.0 cm Quadfloat Deck (7 #107-0216-03 Blades)	108-1452	
Groundsmaster 580D	STANDARD BLADE	Center & Wing Decks (20"/50.8 cm Blade)	69-6920-03	
	ATOMIC BLADE	Center & Wing Decks (20"/50.8 cm Blade)	107-0217-03	
	ATOMIC BLADE SERVICE PACK	Center & Wing Decks (11 #107-0217-03 Blades)	108-1453	
Groundsmaster 3000	STANDARD BLADE	72"/182.9 cm Guardian (25"/63.5 cm Blade)	85-6040-03	
	STANDARD BLADE	72"/182.9 cm RD Deck (25"/63.5 cm Blade)	93-4982	
	STANDARD BLADE	82"/208.3 cm Contour Deck (22"/55.9 cm Blade)	93-8409	
Groundsmaster 3280D 3320	STANDARD BLADE	52"/132.1 cm SD & RD Deck (18"/45.7 cm Blade)	27-0990-03	
	HIGH SAIL BLADE	52"/132.1 cm SD & RD Deck (18"/45.7 cm Blade)	44-5480	
	ATOMIC BLADE	52"/132.1 cm SD & RD Deck (18"/45.7 cm Blade)	104-1301	
	ATOMIC BLADE SERVICE PACK	52"/132.1 cm SD & RD Deck (6 #104-1301 Blades)	108-1477	
	MEDIUM SAIL BLADE	60"/152.4 cm SD Deck (20.5"/52 cm Blade)	110-4701	
	HIGH SAIL BLADE	60"/152.4 cm SD Deck (20.5"/52 cm Blade)	110-4702-03	
	ATOMIC BLADE	60"/152.4 cm SD Deck (20.5"/52 cm Blade)	110-4703-03	
	STANDARD BLADE	62"/157.5 cm RD & Guardian Deck (25"/55.2 cm Blade)	92-5608-03	
	ATOMIC BLADE	62"/157.5 cm RD (21.75"/55.2 cm Blade)	107-0214-03	
	STANDARD BLADE	72"/182.9 cm RD & Guardian Deck (24.5"/62.2 cm Blade)	121-5347-03	
	MEDIUM SAIL BLADE	72"/182.9 cm SD Deck (24.5"/62.2 cm Blade)	110-0621-03	
	HIGH SAIL BLADE	72"/182.9 cm SD Deck (24.5"/62.2 cm Blade)	110-0622-03	
	ATOMIC BLADE	72"/182.9 cm RD & SD Deck (24.5"/62.2 cm Blade)	110-0624-03	

HIGH SAIL

- Provides best quality of cut in most grass conditions.
- Preferred blade for bagging applications.

MEDIUM SAIL

- Provides better quality of cut.
- Better overall performance in most conditions.

Groundsmaster® - continued

Equipment	Description	Application	Part No.	Price Each
Groundsmaster 3500D 3505D	STANDARD BLADE	27"/68.6 cm Deck (27"/68.6 cm Blade) (2000-05)	105-9810-03	
	HIGH SAIL BLADE	27"/68.6 cm Deck (27"/68.6 cm Blade) (2000-05)	104-5183	
	COMBINATION BLADE	27"/68.6 cm Deck (27"/68.6 cm Blade) (2006 & Up)	108-9026-03	
	ATOMIC BLADE	27"/68.6 cm Deck (27"/68.6 cm Blade) (2006 & Up)	107-0235-03	
	ATOMIC BLADE SERVICE PACK	27"/68.6 cm Deck (6 #107-0235-03 Blades)	108-1462	
Groundsmaster 360	ATOMIC BLADE	72"/182.9 cm SD & Guardian Deck (24.5"/62.2 cm Blade)	110-0624-03	
	MEDIUM SAIL BLADE	72"/182.9 cm SD & Guardian Deck (24.5"/62.2 cm Blade)	110-0622-03	
Groundsmaster 4000D	STANDARD BLADE	132"/335.3 cm Deck (21.75"/55.2 cm Blade)	92-5608-03	
	STD. BLADE SERVICE PACK	132"/335.3 cm Deck (7 #92-5608-03 Blades)	117-2722	
	FLAT SAIL BLADE	132"/335.3 cm Deck (21.75"/55.2 cm Blade)	110-6115-03	
	FLAT SAIL BLADE SERVICE PACK	132"/335.3 cm Deck (7 #110-6115-03 Blades)	110-6130	
	ATOMIC BLADE	132"/335.3 cm Deck (21.75"/55.2 cm Blade)	107-0214-03	
Groundsmaster 4100D	ATOMIC BLADE SERVICE PACK	132"/335.3 cm Deck (7 #107-1214-03 Blades)	108-1450	
	STANDARD BLADE	124"/315.0 cm Deck (19"/48.3 cm Blade)	106-7166-03	
	FLAT SAIL BLADE	124"/315.0 cm Deck (19"/48.3 cm Blade)	110-6116-03	
	FLAT SAIL BLADE SERVICE PACK	124"/315.0 cm Deck (7 #110-6116-03 Blades)	110-6140	
	ATOMIC BLADE	124"/315.0 cm Deck (19"/48.3 cm Blade)	107-0215-03	
Groundsmaster 4300D	ATOMIC BLADE SERVICE PACK	124"/315.0 cm Deck (7 #107-1215-03 Blades)	108-1451	
	COMBINATION BLADE	Contour Plus 22" Deck (22"/55.9 cm Blade)	108-7395-03	
	COMBO BLADE SERVICE PACK	5 of 108-7395-03	119-6957	
	HIGH SAIL BLADE	Contour Plus 22" Deck (22"/55.9 cm Blade)	114-0434-03	
	ATOMIC BLADE	Contour Plus 22" Deck (22"/55.9 cm Blade)	114-0435-03	
Groundsmaster 4500D	ANGLE SAIL BLADE	Contour Plus 22" Deck (22"/55.9 cm Blade)	117-0209-03	
	STANDARD BLADE	27"/68.6 cm Deck (27"/68.6 cm Blade) (2002-05)	105-9810-03	
	HIGH SAIL BLADE	27"/68.6 cm Deck (27"/68.6 cm Blade) (2002-05)	104-5183	
	COMBINATION BLADE	27"/68.6 cm Deck (27"/68.6 cm Blade) (2006 & Up)	108-9026-03	
	ATOMIC BLADE	27"/68.6 cm Deck (27"/68.6 cm Blade) (2006 & Up)	107-0235-03	
Groundsmaster 4700D	ATOMIC BLADE SERVICE PACK	27"/68.6 cm Deck (5 #107-0235-03 Blades)	108-1463	
	STANDARD BLADE	27"/68.6 cm Deck (27"/68.6 cm Blade) (2002-05)	105-9810-03	
	HIGH SAIL BLADE	27"/68.6 cm Deck (27"/68.6 cm Blade) (2002-05)	104-5183	
	COMBINATION BLADE	27"/68.6 cm Deck (27"/68.6 cm Blade) (2006 & Up)	108-9026-03	
	ATOMIC BLADE	27"/68.6 cm Deck (27"/68.6 cm Blade) (2006 & Up)	107-0235-03	
Groundsmaster 5900 5910	ATOMIC BLADE SERVICE PACK	27"/68.6 cm Deck (7 #107-0235-03 Blades)	108-1464	
	STANDARD BLADE	Center & Wing Decks (20"/50.8 cm Blade)	110-5946-03	
	STD. BLADE SERVICE PACK	Center & Wing Decks (11 #110-5946-03 Blades)	115-8896	
	ATOMIC BLADE	Center & Wing Decks (20"/50.8 cm Blade)	110-5948-03	
	ATOMIC BLADE SERVICE PACK	Center & Wing Decks (11 #110-5948-03 Blades)	114-0897	
Groundsmaster 7200 7210	STANDARD BLADE	62"/157.5 cm Guardian (21.75"/55.2 cm Blade)	92-5608-03	
	STANDARD BLADE	72"/182.9 cm Guardian (24.5"/62.2 cm Blade)	121-5347-03	
	MEDIUM SAIL BLADE	72"/182.9 cm SD Deck (24.5"/62.2 cm Blade)	110-0621-03	
	HIGH SAIL BLADE	72"/182.9 cm SD Deck (24.5"/62.2 cm Blade)	110-0622-03	
	ATOMIC BLADE	72"/182.9 cm SD Deck (24.5"/62.2 cm Blade)	110-0624-03	
	FLAT SAIL BLADE	72"/182.9 cm Guardian (24.5"/62.2 cm Blade)	112-9586-03	

LOW SAIL

- Low noise level.
- Lower power consumption.
- Reduced discharge velocity of clippings.

ATOMIC

- Aggressive teeth design shreds grass leaving fine mulch.

QUICK REFERENCE GUIDE

FILTERS

Walk Greensmaster®

Equipment	Description	Part No.	Price Each
Greensmaster 500/800/1000/1600/2600	Maintenance Kit (2004 - 2011)	30065**	
	Maintenance Kit (2012 & Up)	30097**	
	AIR FILTER ELEMENT - MAIN	93-8636	
	AIR FILTER ELEMENT - WRAPPER	93-8637	
	GAS FUEL FILTER SCREEN (GR 1000 1995-MID 1996 & UP ONLY)	93-8684	
	GAS FUEL FILTER SCREEN	94-6826	
Greensmaster Flex 18/21	Maintenance Kit (2004 - 2011)	30065**	
	Maintenance Kit (2012 & Up)	30097**	
	AIR FILTER ELEMENT - MAIN	93-8636	
	AIR FILTER ELEMENT - WRAPPER	93-8637	
	GAS FUEL FILTER SCREEN	94-6826	

Riding Greensmaster®

Equipment	Description	Part No.	Price Each
Greensmaster 300	ENGINE OIL FILTER BREATHER ELEMENT	235118	
	AIR FILTER ELEMENT	235116	
	IN-LINE FUEL FILTER	108-3831	
	HYDRAULIC OIL FILTER ELEMENT	74-3570	
	AIR FILTER ELEMENT	92-0530	
Greensmaster 3000	ENGINE OIL FILTER BREATHER ELEMENT	235118	
	AIR FILTER ELEMENT - MAIN	4508302	
	AIR FILTER ELEMENT - WRAPPER	4508301	
	IN-LINE FUEL FILTER	108-3831	
	HYDRAULIC OIL FILTER ELEMENT	74-3570	
	AIR FILTER ELEMENT	92-0530	
Greensmaster 3000D	ENGINE OIL FILTER	108-3841	
	AIR FILTER ELEMENT	108-3833	
	FUEL FILTER DIESEL - ELECTRIC FUEL PUMP	43-2550	
	FUEL FILTER ELEMENT - DIESEL	63-8300	
	HYDRAULIC OIL FILTER	74-3570	
Greensmaster 3050 3100	ENGINE OIL FILTER	107-7817	
	AIR FILTER ELEMENT - MAIN	92-0527	
	IN-LINE FUEL FILTER	94-2690	
	HYDRAULIC OIL FILTER	74-3570	
Greensmaster 3150	400 Hour Filter Kit (Up to 2011)	30064**	
	800 Hour Filter Kit (2013 & Up)	131-6262**	
	ENGINE OIL FILTER	107-7817	
	AIR FILTER ELEMENT - MAIN	92-0527	
	IN-LINE FUEL FILTER	94-2690	
	HYDRAULIC OIL FILTER	107-9531	
Greensmaster 3200	ENGINE OIL FILTER	491056	
	AIR FILTER ELEMENT	108-3811	
	IN-LINE FUEL FILTER (1995-96)	94-2690	
	IN-LINE FUEL FILTER (1997-98)	108-3854	
	HYDRAULIC OIL FILTER ELEMENT	75-1310	
Greensmaster 3200D	ENGINE OIL FILTER	85-4930	
	AIR FILTER ELEMENT	108-3811	
	DIESEL FUEL FILTER	130366040	
	HYDRAULIC OIL FILTER ELEMENT	75-1310	

*Not illustrated. **See pages 18-34 for Kit contents.

Prices subject to change without notice. NOTE: Please see your Parts Catalog or Master Parts Viewer to ensure ordering the correct part; the part needed may not be listed. **Not sold separately.

Riding Greensmaster® - continued

Equipment	Description	Part No.	Price Each
Greensmaster 3250D	400 Hour Filter Kit (2003-06)	30018**	
	400 Hour Filter Kit (2007-2011)	30062**	
	500 Hour Filter Kit (2012 & Up)	30086**	
	ENGINE OIL FILTER (2007-2011)	108-3842	
	ENGINE OIL FILTER	115-8189	
	AIR FILTER ELEMENT	108-3811	
	AIR FILTER SAFETY	98-2982	
	DIESEL FUEL FILTER ELEMENT (2000-06)	100-3192	
	BIO-DIESEL FUEL FILTER ELEMENT (2007-2011)	112-9188	
	FILTER - SPIN ON	110-9049	
HYDRAULIC OIL FILTER ELEMENT (2000-02)	75-1310		
HYDRAULIC OIL FILTER ELEMENT (2003 & UP)	107-9531		
Greensmaster 3300 3320	400 Hour Filter Kit	30042**	
	AIR FILTER	692519	
	IN-LINE FUEL FILTER	115-7854	
	IN-LINE FUEL FILTER	94-2690	
HYDRAULIC OIL FILTER	108-5194		
Greensmaster 3400 3420	400 Hour Filter Kit	30043**	
	ENGINE OIL FILTER	115-8189	
	AIR FILTER	108-3811	
	DIESEL FUEL FILTER (2008 & UP)	110-9049	
HYDRAULIC OIL FILTER ELEMENT	108-5194		

Riding Reelmaster®

Equipment	Description	Part No.	Price Each
Reelmaster 216	ENGINE OIL FILTER BREATHER ELEMENT	235118	
	AIR FILTER ELEMENT - MAIN	4508302	
	AIR FILTER ELEMENT - WRAPPER	4508301	
	GAS IN-LINE FUEL FILTER	108-3854	
	HYDRAULIC OIL FILTER	54-0110	
Reelmaster 216D	ENGINE OIL FILTER	85-4930	
	AIR FILTER ELEMENT	108-3808	
	DIESEL FUEL FILTER ELEMENT	130336040	
	HYDRAULIC OIL FILTER	54-0110	
Grounds Pro 2000	ENGINE OIL FILTER	107-7817	
	AIR FILTER ELEMENT - MAIN	92-0527	
	AIR FILTER ELEMENT - WRAPPER	272490S	
	IN-LINE FUEL FILTER	108-3854	
	HYDRAULIC OIL FILTER ELEMENT	54-0110	
Grounds Pro 2000D	ENGINE OIL FILTER	108-3842	
	AIR FILTER ELEMENT	108-3811	
	DIESEL FUEL FILTER ELEMENT SEPARATOR	63-8300	
	HYDRAULIC OIL FILTER	54-0110	
Reelmaster 2000D	ENGINE OIL FILTER	108-3842	
	AIR FILTER ELEMENT (2005 & UP)	108-3811	
	DIESEL FUEL FILTER ELEMENT SEPARATOR	63-8300	
	HYDRAULIC OIL FILTER ELEMENT	54-0110	

*Not illustrated. **See pages 18-34 for Kit contents.

Prices subject to change without notice. NOTE: Please see your Parts Catalog or Master Parts Viewer to ensure ordering the correct part; the part needed may not be listed. **Not sold separately.

QUICK REFERENCE GUIDE

FILTERS

Riding Reelmaster® - continued

Equipment	Description	Part No.	Price Each
Reelmaster 2300D 2600D	ENGINE OIL FILTER	85-4930	
	AIR FILTER ELEMENT	108-3811	
	DIESEL FUEL FILTER ELEMENT	130336040	
	HYDRAULIC OIL FILTER ELEMENT	54-0110	
Reelmaster 3100	400 Hour Filter Kit (1999-2007)	30016**	
	400 Hour Filter Kit (2008 & Up)	30053**	
	ENGINE OIL FILTER	108-3841	
	ENGINE OIL FILTER BREATHER ELEMENT	98-9493	
	AIR FILTER ELEMENT (2005 & UP)	108-3811	
	IN-LINE PLASTIC DIESEL FUEL FILTER (1999-07 & 2010)	98-7612	
	IN-LINE METAL DIESEL FUEL FILTER (1999-07)	108-3828	
	DIESEL FUEL FILTER ELEMENT (1999-07)	98-9764	
	DIESEL FUEL FILTER ELEMENT (2008 & UP)	110-9049	
	IN-LINE BIO-DIESEL KIT	112-7836	
	ELEMENT BIO-DIESEL KIT	110-9015	
HYDRAULIC OIL FILTER ELEMENT	54-0110		
Reelmaster 3550D	400 Hour Filter Kit	30090**	
	AIR FILTER	108-3811	
	ENGINE OIL FILTER	108-3841	
	TRANSMISSION OIL FILTER	86-3010	
	SPIN ON FILTER	110-9049	
Reelmaster 223D 5100D	ENGINE OIL FILTER	108-3841	
	AIR FILTER ELEMENT	108-3833	
	AIR FILTER PRE-CLEANER ASSEMBLY	48-7430	
	DIESEL FUEL FILTER ELEMENT SEPARATOR	63-8300	
	DIESEL ELECTRIC FUEL PUMP FILTER (EFP)	43-2550	
	HYDRAULIC OIL FILTER ELEMENT RESERVOIR	75-1310	
	HYDRAULIC OIL FILTER ELEMENT TRANS	110-4146	
HYDRAULIC OIL FILTER ELEMENT FRONT AXLE	75-6340		
Reelmaster 5210 5410 5510	400 Hour Filter Kit (2006-07)	30039**	
	400 Hour Filter Kit (2008 & Up) non Tier4	30054**	
	ENGINE OIL FILTER	108-3841	
	AIR FILTER ELEMENT	108-3810	
	IN-LINE PLASTIC DIESEL FUEL FILTER (2006-07)	98-7612	
	IN-LINE METAL DIESEL FUEL FILTER (2006-07)	108-3828	
	DIESEL FUEL FILTER ELEMENT (2006-07)	98-9764	
	DIESEL FUEL FILTER ELEMENT (2008 & UP)	110-9049	
	IN-LINE BIO-DIESEL KIT	112-7836	
	ELEMENT BIO-DIESEL KIT	110-9015	
Reelmaster 5410G 5510G	800 Hour Filter Kit	30091**	
	AIR FILTER	108-3810	
	OIL FILTER	108-3841	
	FILTER ELEMENT	94-2621	
	TRANSMISSION OIL FILTER	86-3010	
Reelmaster 5410D 5510D	800 Hour Filter Kit Tier4 Final	30093**	
	AIR FILTER	108-3810	
	ENGINE FILTER	125-7025	
	FILTER ELEMENT	94-2621	
	TRANSMISSION OIL FILTER	86-3010	
	FILTER SPIN ON	125-2915	
	FUEL FILTER	125-8752	
Reelmaster 5010-H	800 Hour Filter Kit	30247**	
	ENGINE OIL FILTER	108-3841	
	FUEL/WATER SEPARATOR	110-9049	
	HYDRAULIC OIL FILTER	86-3010	
	AIR FILTER	108-3810	

*Not illustrated. **See pages 18-34 for Kit contents.

Prices subject to change without notice. NOTE: Please see your Parts Catalog or Master Parts Viewer to ensure ordering the correct part; the part needed may not be listed. **Not sold separately.

Riding Reelmaster® - continued

Equipment	Description	Part No.	Price Each
Reelmaster 5200D 5400D	400 Hour Filter Kit	30015**	
	ENGINE OIL FILTER	108-3841	
	ENGINE OIL FILTER BREATHER ELEMENT	98-9493	
	AIR FILTER ELEMENT (2005 & UP)	108-3810	
	AIR FILTER PRE-CLEANER ASSEMBLY	48-7430	
	IN-LINE PLASTIC DIESEL FUEL FILTER (1998)	98-7612	
	IN-LINE METAL DIESEL FUEL FILTER (1998)	108-3828	
	DIESEL FUEL FILTER ASSEMBLY (1991-01)	99-8351	
	DIESEL FUEL FILTER ELEMENT (1991-01)	99-8358	
	IN-LINE PLASTIC DIESEL FUEL FILTER (2002 & UP)	98-7612	
	IN-LINE METAL DIESEL FUEL FILTER (2002 & UP)	108-3828	
	DIESEL FUEL FILTER ELEMENT SEPARATOR	98-9764	
	IN-LINE BIO-DIESEL KIT	112-7836	
	BIO-DIESEL FUEL FILTER ELEMENT	110-9015	
	HYDRAULIC OIL FILTER ELEMENT RESERVOIR	75-1310	
HYDRAULIC OIL FILTER ELEMENT TRANS	110-4146		
HYDRAULIC OIL FILTER ELEMENT FRONT AXLE	75-6340		
Reelmaster 5300D	ENGINE OIL FILTER	112-8409	
	AIR FILTER ELEMENT	108-3833	
	AIR FILTER PRE-CLEANER ASSEMBLY	48-7430	
	DIESEL FUEL FILTER ELEMENT SEPARATOR	63-8300	
	DIESEL ELECTRIC FUEL PUMP	43-2550	
	HYDRAULIC OIL FILTER ELEMENT RESERVOIR	75-1310	
	HYDRAULIC OIL FILTER ELEMENT TRANS	110-4146	
HYDRAULIC OIL FILTER ELEMENT FRONT AXLE	75-6340		
Reelmaster 5500D	400 Hour Filter Kit	30038**	
	ENGINE OIL FILTER	108-3841	
	ENGINE OIL BREATHER ELEMENT	98-9493	
	AIR FILTER ELEMENT (2005 & UP)	108-3810	
	AIR FILTER PRE-CLEANER ASSEMBLY	48-7430	
	IN-LINE DIESEL FUEL FILTER (2000-01)	99-8351	
	IN-LINE PLASTIC DIESEL FUEL FILTER (2002 & UP)	98-7612	
	IN-LINE METAL DIESEL FUEL FILTER (2002 & UP)	108-3828	
	DIESEL FUEL FILTER ELEMENT SEPARATOR	98-9764	
	IN-LINE BIO-DIESEL KIT	112-7836	
	BIO-DIESEL FUEL FILTER ELEMENT	110-9015	
	HYDRAULIC OIL FILTER ELEMENT RESERVOIR	94-2621	
HYDRAULIC OIL FILTER ELEMENT TRANS	110-4146		
HYDRAULIC OIL FILTER ELEMENT FRONT AXLE	75-6340		
Reelmaster 5610	400 Hour Filter Kit (2006-07)	30040**	
	400 Hour Filter Kit (2008 - 2012)	30055**	
	ENGINE OIL FILTER	108-3841	
	AIR FILTER ELEMENT	108-3812	
	IN-LINE PLASTIC DIESEL FUEL FILTER (2006-07)	98-7612	
	IN-LINE METAL DIESEL FUEL FILTER (2006-07)	108-3828	
	DIESEL FUEL FILTER ELEMENT (2006-07)	98-9764	
	DIESEL FUEL FILTER ELEMENT (2008 & UP)	110-9049	
	IN-LINE BIO-DIESEL KIT	112-7836	
	BIO-DIESEL FUEL FILTER ELEMENT	110-9015	
	HYDRAULIC OIL FILTER ELEMENT STEERING	86-3010	
	HYDRAULIC OIL FILTER ELEMENT RESERVOIR	94-2621	

*Not illustrated. **See pages 18-34 for Kit contents.

Prices subject to change without notice. NOTE: Please see your Parts Catalog or Master Parts Viewer to ensure ordering the correct part; the part needed may not be listed. **Not sold separately.

QUICK REFERENCE GUIDE

FILTERS

Riding Reelmaster® - continued

Equipment	Description	Part No.	Price Each
Reelmaster 6500D 6700D	400 Hour Filter Kit (2003-07)	30014**	
	400 Hour Filter Kit (2008 & Up)	30057**	
	ENGINE OIL FILTER (1995-01)	108-3837	
	ENGINE OIL FILTER (2001 & UP)	108-3841	
	ENGINE OIL BREATHER ELEMENT (2001 & UP)	98-9493	
	AIR FILTER OUTER	108-3812	
	AIR FILTER INNER	108-3813	
	DIESEL FUEL FILTER ELEMENT (1995-01)	76-5220	
	DIESEL FUEL FILTER ASSEMBLY (2001-02)	99-8351	
	DIESEL FUEL FILTER ELEMENT (2001-02)	99-8358	
	IN-LINE PLASTIC DIESEL FUEL FILTER (2003-07)	98-7612	
	IN-LINE METAL DIESEL FUEL FILTER (2003-07)	108-3828	
	DIESEL FUEL FILTER ELEMENT (2003-07)	98-9764	
	DIESEL FUEL FILTER ELEMENT (2008 & UP)	110-9049	
	IN-LINE BIO-DIESEL KIT	112-7836	
	ELEMENT BIO-DIESEL KIT	110-9015	
	HYDRAULIC OIL FILTER ELEMENT	94-2621	
Reelmaster 335D 3500D	ENGINE OIL FILTER	108-3837	
	AIR FILTER ELEMENT	108-3833	
	DIESEL FUEL FILTER ELEMENT	76-5220	
	HYDRAULIC OIL FILTER ELEMENT	86-3010	
Reelmaster 450D 4500D	ENGINE OIL FILTER	108-3835	
	AIR FILTER ELEMENT	108-3833	
	AIR FILTER PRE-CLEANER ASSEMBLY	48-7430	
	DIESEL FUEL FILTER ELEMENT	60-5470	
	HYDRAULIC OIL FILTER ELEMENT (1986-92)	69-1720	
HYDRAULIC OIL FILTER ELEMENT (1993 & UP)	86-6110		
Reelmaster 4000D	400 Hour Filter Kit (2002-07)	30012**	
	400 Hour Filter Kit (2008 & Up)	30061**	
	ENGINE OIL FILTER	104-5169	
	ENGINE OIL BREATHER ELEMENT	98-7419	
	AIR FILTER OUTER	108-3812	
	AIR FILTER INNER	108-3813	
	IN-LINE PLASTIC DIESEL FUEL FILTER (1998-01)	98-7612	
	IN-LINE METAL DIESEL FUEL FILTER (1998-01)	108-3828	
	IN-LINE DIESEL FUEL FILTER ASSEMBLY (2002-03)	99-8351	
	IN-LINE DIESEL FUEL FILTER ELEMENT (2002-03)	99-8358	
	IN-LINE PLASTIC DIESEL FUEL FILTER (2004-2007)	98-7612	
	IN-LINE METAL DIESEL FUEL FILTER (2004-07)	108-3828	
	DIESEL FUEL FILTER ELEMENT SEPARATOR (1998-01)	76-5220	
	DIESEL FUEL FILTER ELEMENT SEPARATOR (2002 & UP)	98-9764	
	IN-LINE BIO-DIESEL KIT	112-7836	
	ELEMENT BIO-DIESEL KIT	110-9015	
	HYDRAULIC OIL FILTER ELEMENT	86-6110	
Reelmaster 7000D	ENGINE OIL FILTER	104-5169	
	AIR FILTER OUTER	108-3814	
	AIR FILTER INNER	108-3816	
	GAS FUEL FILTER ELEMENT (2008 & UP)	110-9049	
	HYDRAULIC OIL FILTER AT PUMP	75-1310	
	HYDRAULIC OIL FILTER AT MANIFOLD	94-2621	

*Not illustrated. **See pages 18-34 for Kit contents.

Prices subject to change without notice. NOTE: Please see your Parts Catalog or Master Parts Viewer to ensure ordering the correct part; the part needed may not be listed. **Not sold separately.

Groundsmaster®

Equipment	Description	Part No.	Price Each
Groundsmaster 52	AIR FILTER ELEMENT	108-3808	
	IN-LINE GAS FUEL FILTER	108-3831	
	HYDRAULIC OIL FILTER ELEMENT - TRANS	23-2300	
Groundsmaster 62	ENGINE OIL FILTER	108-3817	
	AIR FILTER ELEMENT	108-3833	
	IN-LINE GAS FUEL FILTER	108-3831	
Groundsmaster 217D	HYDRAULIC OIL FILTER ELEMENT - TRANS	23-2300	
	ENGINE OIL FILTER	42-9030	
	AIR FILTER ELEMENT	108-3833	
	IN-LINE DIESEL FUEL FILTER	43-1820	
Groundsmaster 220	DIESEL ELECTRIC FUEL PUMP FILTER (EFP)	43-2550	
	HYDRAULIC OIL FILTER ELEMENT- TRANS	23-2300	
	ENGINE OIL FILTER	108-3817	
	ENGINE OIL FILTER BREATHER ELEMENT	57-8580	
	AIR FILTER ELEMENT	108-3833	
Groundsmaster 220D 223D	IN-LINE GAS FUEL FILTER	71-5960	
	HYDRAULIC OIL FILTER ELEMENT- TRANS	23-2300	
	400 Hour Filter Kit	30030**	
	ENGINE OIL FILTER	108-3841	
	AIR FILTER ELEMENT	108-3833	
Groundsmaster 224	DIESEL FUEL FILTER ELEMENT SEPARATOR	63-8300	
	DIESEL ELECTRIC FUEL PUMP FILTER (EFP)	43-2550	
	HYDRAULIC OIL FILTER ELEMENT- TRANS	23-2300	
	ENGINE OIL FILTER	108-3841	
	AIR FILTER ELEMENT	108-3833	
Groundsmaster 225	IN-LINE GAS FUEL FILTER	108-3831	
	GAS ELECTRIC FUEL PUMP FILTER	43-2550	
	HYDRAULIC OIL FILTER ELEMENT- TRANS	23-2300	
	400 Hour Filter Kit	30002**	
	ENGINE OIL FILTER	108-3842	
Groundsmaster 228D	AIR FILTER ELEMENT	108-3833	
	IN-LINE GAS FUEL FILTER	108-3854	
	HYDRAULIC OIL FILTER ELEMENT- TRANS	23-2300	
	400 Hour Filter Kit	30001**	
	ENGINE OIL FILTER	108-3841	
	ENGINE OIL FILTER BREATHER ELEMENT	98-9493	
	AIR FILTER ELEMENT	108-3810	
	IN-LINE PLASTIC DIESEL FUEL FILTER	98-7612	
	IN-LINE METAL DIESEL FUEL FILTER	108-3828	
	DIESEL FUEL FILTER ELEMENT SEPARATOR	98-9764	
	IN-LINE BIO-DIESEL FUEL FILTER KIT	112-7836	
BIO-DIESEL FUEL FILTER ELEMENT	110-9015		
DIESEL ELECTRIC FUEL PUMP FILTER (EFP)	43-2550		
HYDRAULIC OIL FILTER ELEMENT- TRANS	23-2300		
Groundsmaster 322D	ENGINE OIL FILTER	42-9030	
	AIR FILTER ELEMENT	108-3833	
	IN-LINE DIESEL FUEL FILTER	43-1820	
	DIESEL FUEL FILTER ELEMENT SEPARATOR (1989-90)	63-8300	
	DIESEL ELECTRIC FUEL PUMP FILTER (EFP)	43-2550	
	HYDRAULIC OIL FILTER ELEMENT- TRANS	23-2300	

*Not illustrated. **See pages 18-34 for Kit contents.

Prices subject to change without notice. NOTE: Please see your Parts Catalog or Master Parts Viewer to ensure ordering the correct part; the part needed may not be listed. **Not sold separately.

QUICK REFERENCE GUIDE

FILTERS

Groundsmaster® - continued

Equipment	Description	Part No.	Price Each
Groundsmaster 325D	400 Hour Filter Kit	30023**	
	ENGINE OIL FILTER 2WD	42-9030	
	ENGINE OIL FILTER 4WD (1991-94)	42-9030	
	ENGINE OIL FILTER 4WD (1995 & UP)	108-3841	
	AIR FILTER ELEMENT	108-3833	
	IN-LINE DIESEL FUEL FILTER	43-1820	
	DIESEL FUEL FILTER ELEMENT SEPARATOR	63-8300	
	DIESEL ELECTRIC FUEL PUMP FILTER (EFP)	43-2550	
	HYDRAULIC OIL FILTER ELEMENT	23-9740	
Groundsmaster 327	ENGINE OIL FILTER	<i>Contact Local Toro Distributor</i>	
	AIR FILTER ELEMENT	108-3833	
	IN-LINE GAS FUEL FILTER	108-3831	
	HYDRAULIC OIL FILTER ELEMENT - TRANS	23-2300	
Groundsmaster 328D	400 Hour Filter Kit (2001 thru 2007)	30022**	
	400 Hour Filter Kit (2008 & Up)	30059**	
	ENGINE OIL FILTER	108-3841	
	ENGINE OIL FILTER BREATHER ELEMENT	98-9493	
	AIR FILTER ELEMENT	108-3810	
	IN-LINE PLASTIC DIESEL FUEL FILTER (2001-07)	98-7612	
	IN-LINE METAL DIESEL FUEL FILTER (2001-07)	108-3828	
	DIESEL FUEL FILTER ELEMENT (2001-07)	98-9764	
	DIESEL FUEL FILTER ELEMENT (2008 & UP)	110-9049	
	DIESEL ELECTRIC FUEL PUMP FILTER (EFP)	43-2550	
	IN-LINE BIO-DIESEL FUEL FILTER KIT	112-7836	
	BIO-DIESEL FUEL FILTER ELEMENT	110-9015	
	HYDRAULIC OIL FILTER ELEMENT	23-9740	
Groundsmaster 345	400 Hour Filter Kit	30021**	
	ENGINE OIL FILTER	108-3817	
	AIR FILTER ELEMENT	108-3833	
	GAS FUEL FILTER AT TANK	108-3831	
	GAS FUEL FILTER ENGINE (1999 & UP)	FG778B	
	HYDRAULIC OIL FILTER	23-9740	
Groundsmaster 360	ENGINE OIL FILTER	108-3841	
	AIR FILTER ELEMENT	108-3810	
	DIESEL FUEL FILTER ELEMENT (2008 & UP)	110-9049	
	HYDRAULIC OIL FILTER ELEMENT TRANS	108-5194	
Groundsmaster 455D	400 Hour Filter Kit	30028**	
	ENGINE OIL FILTER	108-3837	
	AIR FILTER ELEMENT (1992-95)	108-3833	
	AIR FILTER ELEMENT OUTER (1996 & UP)	108-3812	
	AIR FILTER ELEMENT INNER (1996 & UP)	108-3813	
	DIESEL FUEL FILTER ELEMENT	76-5220	
	HYDRAULIC OIL FILTER ELEMENT	86-3010	
Groundsmaster 580D	400 Hour Filter Kit (1989-03)	30024**	
	400 Hour Filter Kit (2004 & Up)	30063**	
	ENGINE OIL FILTER (1989-97)	108-3835	
	ENGINE OIL FILTER (1998 & UP)	110-6166	
	AIR FILTER ELEMENT (1989-97)	108-3809	
	AIR FILTER ELEMENT 2005 & UP)	108-3815	
	DIESEL FUEL FILTER ELEMENT INJECTION PUMP	108-3818	
	DIESEL FUEL FILTER FEED PUMP	70-4790	
	DIESEL FUEL FILTER ELEMENT (1989-03)	117-9432	
	DIESEL FUEL FILTER ELEMENT (2004-05)	60-5470	
	IN-LINE DIESEL FUEL FILTER (2006 & UP)	108-3831	
	BIO-DIESEL FUEL FILTER ELEMENT KIT	112-9188	
HYDRAULIC OIL FILTER ELEMENT	69-1720		

*Not illustrated. **See pages 18-34 for Kit contents.

Prices subject to change without notice. NOTE: Please see your Parts Catalog or Master Parts Viewer to ensure ordering the correct part; the part needed may not be listed. **Not sold separately.

Groundsmaster® - continued

Equipment	Description	Part No.	Price Each
Groundsmaster 3000	ENGINE OIL FILTER	FL-400-A	
	AIR FILTER ELEMENT (1996)	108-3812	
	GAS FUEL FILTER	FG795A	
	HYDRAULIC OIL FILTER ELEMENT	94-3951	
Groundsmaster 3000D	400 Hour Filter Kit	30010**	
	ENGINE OIL FILTER	108-3837	
	ENGINE OIL FILTER BREATHER ELEMENT	93-5670	
	AIR FILTER ELEMENT (1996)	108-3812	
	DIESEL FUEL FILTER ELEMENT	76-5220	
Groundsmaster 3280D	400 Hour Filter Kit (2005-07)	30034**	
	400 Hour Filter Kit (2008 - 2012)	30051**	
	ENGINE OIL FILTER	108-3841	
	AIR FILTER ELEMENT (2005 & UP)	108-3810	
	IN-LINE PLASTIC DIESEL FUEL FILTER (2005-07)	98-7612	
	IN-LINE METAL DIESEL FUEL FILTER (2005-07)	108-3828	
	DIESEL FUEL FILTER ELEMENT (2005-07)	98-9764	
	DIESEL FUEL FILTER ELEMENT (2008 - 2012)	110-9049	
	IN-LINE BIO-DIESEL FUEL FILTER KIT	112-7836	
	BIO-DIESEL FUEL FILTER ELEMENT	110-9015	
	HYDRAULIC OIL FILTER ELEMENT - TRANS	23-2300	
	Groundsmaster 3320	ENGINE OIL FILTER	108-3842
AIR FILTER ELEMENT (2005 & UP)		108-3810	
IN-LINE GAS FUEL FILTER		108-3854	
HYDRAULIC OIL FILTER ELEMENT - TRANS		23-2300	
Groundsmaster 3500D 3505D	400 Hour Filter Kit (2002-2007)	30027**	
	400 Hour Filter Kit (2008-2012)	30058**	
	400 Hour Filter Kit (2013 & Up)	30090**	
	ENGINE OIL FILTER	108-3841	
	ENGINE OIL FILTER BREATHER ELEMENT	98-9493	
	AIR FILTER ELEMENT (2005 & UP)	108-3810	
	IN-LINE PLASTIC DIESEL FUEL FILTER (2002-07)	98-7612	
	IN-LINE METAL DIESEL FUEL FILTER (2002-07)	108-3828	
	DIESEL FUEL FILTER ELEMENT (2002-07)	98-9764	
	DIESEL FUEL FILTER ELEMENT (2008-2012)	110-9049	
	IN-LINE BIO-DIESEL FUEL FILTER KIT	112-7836	
	BIO-DIESEL FUEL FILTER ELEMENT	110-9015	
	HYDRAULIC OIL FILTER ELEMENT (2000-01)	54-0110	
HYDRAULIC OIL FILTER ELEMENT (2002 & UP)	86-3010		
Groundsmaster 4000D 4100D	400 Hour Filter Kit (2001-07)	30029**	
	400 Hour Filter Kit (2008 & Up)	30056**	
	800 Hour Filter Kit (T4i)	30089**	
	800 Hour Filter Kit (T4F)	30408**	
	ENGINE OIL FILTER (2001 & UP)	104-5169	
	ENGINE OIL FILTER BREATHER ELEMENT	98-7419	
	AIR FILTER ELEMENT INNER (2004 & UP)	108-3816	
	AIR FILTER ELEMENT OUTER (2004 & UP)	108-3814	
	IN-LINE PLASTIC DIESEL FUEL FILTER (2001-07)	98-7612	
	IN-LINE METAL DIESEL FUEL FILTER (2001-07)	108-3828	
	DIESEL FUEL FILTER ELEMENT (2001-07)	98-9764	
	DIESEL FUEL FILTER ELEMENT (2008 & UP)	110-9049	
	IN-LINE BIO-DIESEL FUEL FILTER KIT	112-7836	
BIO-DIESEL FUEL FILTER ELEMENT	110-9015		
HYDRAULIC OIL FILTER ELEMENT AT PUMP	75-1310		
HYDRAULIC OIL FILTER ELEMENT AT MANIFOLD	94-2621		

*Not illustrated. **See pages 18-34 for Kit contents.

Prices subject to change without notice. NOTE: Please see your Parts Catalog or Master Parts Viewer to ensure ordering the correct part; the part needed may not be listed. **Not sold separately.

QUICK REFERENCE GUIDE

FILTERS

Groundsmaster® - continued

Equipment	Description	Part No.	Price Each
Groundsmaster 4300D	400 Hour Filter Kit (2008 - 2012)	30055**	
	800 Hour Filter MVP Kit (2013 & Up)	30093**	
	ENGINE OIL FILTER	108-3841	
	AIR FILTER	108-3812	
	IN-LINE DIESEL FUEL FILTER	110-9044	
	DIESEL FUEL FILTER ELEMENT (2008 - 2012)	110-9049	
	HYDRAULIC OIL FILTER RESERVOIR ELEMENT	94-2621	
	HYDRAULIC OIL FILTER AT PUMP ELEMENT	86-3010	
Groundsmaster 4500D 4700D	400 Hour Filter Kit (2001-07)	30029**	
	400 Hour Filter Kit (2008 & Up)	30056**	
	800 Hour Filter Kit (T4i)	30089**	
	800 Hour Filter Kit (T4F)	30408**	
	ENGINE OIL FILTER	104-5169	
	ENGINE OIL FILTER BREATHER ELEMENT	98-7419	
	AIR FILTER ELEMENT INNER (2004 & UP)	108-3816	
	AIR FILTER ELEMENT OUTER (2004 & UP)	108-3814	
	IN-LINE PLASTIC DIESEL FUEL FILTER (2002-07)	98-7612	
	IN-LINE METAL DIESEL FUEL FILTER (2002-07)	108-3828	
	DIESEL FUEL FILTER ELEMENT (2002-07)	98-9764	
	DIESEL FUEL FILTER ELEMENT (2008 & UP)	110-9049	
	IN-LINE BIO-DIESEL FUEL FILTER KIT	112-7836	
	BIO-DIESEL FUEL FILTER ELEMENT	110-9015	
	HYDRAULIC OIL FILTER ELEMENT AT PUMP	75-1310	
HYDRAULIC OIL FILTER ELEMENT AT MANIFOLD	94-2621		
Groundsmaster 5900 5910	400 Hour Filter Kit	30041**	
	ENGINE OIL FILTER	130-8860	
	AIR FILTER ELEMENT INNER	115-8877	
	AIR FILTER ELEMENT OUTER	115-8887	
	DIESEL FUEL FILTER ELEMENT AT ENGINE	117-2792	
	DIESEL FUEL FILTER ELEMENT AT SEPARATOR	115-5471	
	HYDRAULIC OIL FILTER MAIN ELEMENT	86-6110	
HYDRAULIC OIL FILTER PTO ELEMENT	75-1310		
Groundsmaster 7200 7210	400 Hour Filter Kit (2007)	30037**	
	400 Hour Filter Kit (2008 & Up)	30052**	
	ENGINE OIL FILTER	108-3841	
	AIR FILTER ELEMENT	108-3810	
	IN-LINE PLASTIC DIESEL FUEL FILTER (2007)	98-7612	
	IN-LINE METAL DIESEL FUEL FILTER (2007)	108-3828	
	DIESEL FUEL FILTER ELEMENT (2007)	98-9764	
	DIESEL FUEL FILTER ELEMENT (2008 & UP)	110-9049	
	BIO-DIESEL FUEL FILTER ELEMENT	110-9015	
	HYDRAULIC OIL FILTER ELEMENT - TRANS	108-5194	

*Not illustrated. **See pages 18-34 for Kit contents.

Prices subject to change without notice. NOTE: Please see your Parts Catalog or Master Parts Viewer to ensure ordering the correct part; the part needed may not be listed. **Not sold separately.

Aerator

Equipment	Description	Part No.	Price Each
ProCore 648	INLINE FUEL FILTER	115-7854	
	HYDRAULIC OIL FILTER	107-9531	
Hydroject 3000 4000	400 Hour Maintenance Kit	30008**	
	ENGINE OIL FILTER BREATHER ELEMENT	57-8580	
	ENGINE OIL FILTER	108-3817	
	AIR FILTER ELEMENT	82-0660	
	IN-LINE GAS FUEL FILTER	71-5960	
	HYDRAULIC OIL FILTER ELEMENT (3000 ONLY)	67-8110	
	WATER FILTER PRE-FILTER ASSEMBLY	86-9100	
	WATER FILTER PRE-FILTER BOWL	86-9120	
	WATER FILTER ELEMENT PRE-FILTER	86-9140	
	WATER FILTER ELEMENT STANDARD	86-8630	
Hydroject 3010	ENGINE OIL FILTER	52 050 02-S	
	AIR FILTER ELEMENT - PRIMARY	25 083 01 S	
	AIR FILTER ELEMENT - SAFETY	25 083 04 S	
	IN-LINE GAS FUEL FILTER	24 050 09 S	
	HYDRAULIC OIL FILTER ELEMENT	67-8110	
	WATER FILTER PRE-FILTER ASSEMBLY	86-9100	
	WATER FILTER PRE-FILTER BOWL	86-9120	
	WATER FILTER ELEMENT PRE-FILTER	86-9140	
	WATER FILTER ELEMENT STANDARD	86-8630	

Workman®

Equipment	Description	Part No.	Price Each
Workman 1100 MD	400 Hour Filter Kit	30005**	
	AIR FILTER ELEMENT	108-3811	
	IN-LINE GAS FUEL FILTER	94-2690	
Workman 2100 2110	400 Hour Filter Kit	30004**	
	ENGINE OIL FILTER (2000-07)	107-7817	
	ENGINE OIL FILTER (2008 & UP)	842921	
	AIR FILTER ELEMENT	108-3811	
Workman MDX	IN-LINE GAS FUEL FILTER	94-2690	
	400 Hour Filter Kit	30004**	
	ENGINE OIL FILTER	107-7817	
Workman 3100	AIR FILTER ELEMENT	108-3811	
	IN-LINE GAS FUEL FILTER	94-2690	
	ENGINE OIL FILTER	12 050 01-S	
	ENGINE OIL FILTER BREATHER ELEMENT	24 050 10	
	AIR FILTER ELEMENT - MAIN (1994-01)	47 083 03-S	
	AIR FILTER ELEMENT - MAIN (2002 & UP)	24 083 03-S	
	AIR FILTER ELEMENT - WRAPPER (1994-01)	24 083 02-S	
	AIR FILTER ELEMENT - WRAPPER (2002 & UP)	24 083 05-S	
	IN-LINE GAS FUEL FILTER (1993-99)	108-3831	
IN-LINE GAS FUEL FILTER (2000 & UP)	108-3854		
HYDRAULIC OIL FILTER ELEMENT (1994-03)	54-0110		
Workman 3120	ENGINE OIL FILTER	12 050 01-S	
	ENGINE OIL FILTER BREATHER ELEMENT	24 050 10	
	AIR FILTER ELEMENT - MAIN	47 083 03-S	
	AIR FILTER ELEMENT - WRAPPER	24 083 02-S	
	IN-LINE GAS FUEL FILTER	108-3831	
	HYDRAULIC OIL FILTER ELEMENT	54-0110	

*Not illustrated. **See pages 18-34 for Kit contents.

Prices subject to change without notice. NOTE: Please see your Parts Catalog or Master Parts Viewer to ensure ordering the correct part; the part needed may not be listed. **Not sold separately.

QUICK REFERENCE GUIDE

FILTERS

Workman® - continued

Equipment	Description	Part No.	Price Each
Workman 3200	400 Hour Maintenance Kit	30017**	
	ENGINE OIL FILTER (1993-94)	42-9030	
	ENGINE OIL FILTER (1995-01)	108-3841	
	ENGINE OIL FILTER (2002 & UP)	108-3842	
	AIR FILTER ELEMENT (1993-98)	108-3808	
	AIR FILTER SAFETY ELEMENT (1999-01)	98-2982	
	GAS FUEL FILTER (1993-99)	108-3831	
	IN-LINE GAS FUEL FILTER (2000 & UP)	108-3854	
Workman 3210 3220	HYDRAULIC OIL FILTER ELEMENT (1993-03)	54-0110	
	ENGINE OIL FILTER	108-3841	
	AIR FILTER ELEMENT	108-3811	
	AIR FILTER SAFETY ELEMENT	98-2982	
Workman 3220	IN-LINE GAS FUEL FILTER	108-3831	
	HYDRAULIC OIL FILTER ELEMENT	54-0110	
	400 Hour Maintenance Kit (2002 & Up)	30006**	
	ENGINE OIL FILTER (1993-01)	108-3841	
	ENGINE OIL FILTER (2002 & UP)	108-3842	
	AIR FILTER ELEMENT (1993-98)	108-3808	
	AIR FILTER ELEMENT (1999 & UP)	108-3811	
Workman 3300D 4300D	AIR FILTER SAFETY ELEMENT (1999 & UP)	98-2982	
	GAS FUEL FILTER ELEMENT SEPARATOR	63-8300	
	GAS ELECTRIC FUEL PUMP FILTER (EFP)	43-2550	
	HYDRAULIC OIL FILTER ELEMENT (1993-03)	54-0110	
	ENGINE OIL FILTER	108-3841	
	AIR FILTER ELEMENT	108-3811	
Workman 3310D 3220D	AIR FILTER SAFETY ELEMENT	98-2982	
	DIESEL FUEL FILTER ELEMENT SEPARATOR	63-8300	
	DIESEL ELECTRIC FUEL PUMP FILTER (EFP)	43-2550	
	HYDRAULIC OIL FILTER ELEMENT	54-0110	
	ENGINE OIL FILTER	108-3841	
Workman 3420	AIR FILTER ELEMENT	108-3811	
	IN-LINE GAS FUEL FILTER	108-3831	
	HYDRAULIC OIL FILTER ELEMENT	54-0110	
	400 Hour Maintenance Kit (2002-07)	30017**	
Workman 4200	ENGINE OIL FILTER (1995-01)	108-3841	
	ENGINE OIL FILTER (2002 & UP)	108-3842	
	AIR FILTER ELEMENT (1993-98)	108-3808	
	AIR FILTER ELEMENT (1999 & UP)	108-3811	
	AIR FILTER SAFETY ELEMENT (1999 & UP)	98-2982	
	IN-LINE GAS FUEL FILTER (1993-99)	108-3831	
	IN-LINE GAS FUEL FILTER (200 & UP)	108-3854	
	HYDRAULIC OIL FILTER ELEMENT (1995-03)	54-0110	
Workman HD	ENGINE OIL FILTER	108-3847	
	ENGINE OIL FILTER	12 050 01-S	
	AIR FILTER PRE-CLEANER	24 083 05-S	
	AIR FILTER ELEMENT	24 083 03-S	
	IN-LINE GAS FUEL FILTER	108-3854	
	IN-LINE GAS FUEL FILTER	115-7854	
	HYDRAULIC OIL FILTER ELEMENT	54-0110	
	ENGINE OIL FILTER	108-3847	
Workman HDX	400 Hour Maintenance Kit (2012 & Older)	30073**	
	ENGINE OIL FILTER (2012 & OLDER)	108-3842	
	ENGINE OIL FILTER (2013 & UP)	115-8189	
	AIR FILTER ELEMENT (2012 & OLDER)	108-3811	
	AIR FILTER ELEMENT (2013 & UP)	108-3810	
	IN-LINE GAS FUEL FILTER	115-7854	
	GAS FUEL FILTER	115-7818	
HYDRAULIC OIL FILTER	54-0110		

*Not illustrated. **See pages 18-34 for Kit contents.

Prices subject to change without notice. NOTE: Please see your Parts Catalog or Master Parts Viewer to ensure ordering the correct part; the part needed may not be listed. **Not sold separately.

Workman® - continued

Equipment	Description	Part No.	Price Each
Workman HDX-D	400 Hour Maintenance Kit (2012 & Older)	30068**	
	ENGINE OIL FILTER	108-3842	
	AIR FILTER ELEMENT	108-3811	
	DIESEL FUEL FILTER ELEMENT - SEPARATOR	110-9049	
	HYDRAULIC OIL FILTER ELEMENT	54-0110	
Workman HDX-Auto	400 Hour Maintenance Kit	131-8276**	
	ENGINE OIL FILTER	108-3847	
	FUEL FILTER ELEMENT	115-7818	
	SPARK PLUG	136-1100	
	IN-LINE FUEL FILTER	115-7854	
	AIR FILTER ELEMENT	108-3811	
Workman GTX	400 Hour Maintenance Kit	136-6280**	
	AIR FILTER	108-3811	
	SPARK PLUG	131-8589	
	FUEL FILTER	56-6360	

Multi Pro®

Equipment	Description	Part No.	Price Each
Multi Pro 1100	ENGINE OIL FILTER	12 050 01	
	AIR FILTER	47 083 03-S	
	GAS FUEL FILTER	24 050 02-S	
	HYDRAULIC OIL FILTER ELEMENT	112-8401	
Multi Pro 1200/1250/1750	ENGINE OIL FILTER	108-3847	
	AIR FILTER ELEMENT - MAIN	47 083 03-S	
	AIR FILTER ELEMENT - WRAPPER	24 083 02-S	
	IN-LINE GAS FUEL FILTER	24 050 02-S	
	HYDRAULIC OIL FILTER ELEMENT	54-0110	
Multi Pro 5200	ENGINE OIL FILTER		<i>Call Local Toro Distributor</i>
	AIR FILTER ELEMENT	106-4904	
	IN-LINE GAS FUEL FILTER	108-3854	
	HYDRAULIC OIL FILTER ELEMENT	41763	
Multi Pro 5500	ENGINE OIL FILTER	108-3817	
	AIR FILTER ELEMENT	106-4904	
	AIR FILTER ELEMENT - CAB	92-3814	
	IN-LINE GAS FUEL FILTER	108-3854	
	IN-LINE HYDRAULIC OIL FILTER	86-3010	
Multi Pro 5600	ENGINE OIL FILTER	108-3817	
	AIR FILTER ELEMENT	106-4904	
	IN-LINE GAS FUEL FILTER	108-3854	
	IN-LINE HYDRAULIC OIL FILTER	86-3010	
Multi Pro 5700D	ENGINE OIL FILTER	108-3841	
	AIR FILTER ELEMENT	108-3810	
	IN-LINE PLASTIC DIESEL FUEL FILTER	98-7612	
	IN-LINE METAL DIESEL FUEL FILTER	108-3828	
	DIESEL FUEL FILTER ELEMENT (2004-07)	98-9764	
	DIESEL FUEL FILTER ELEMENT (2008 & UP)	110-9049	
	IN-LINE BIO-DIESEL FUEL FILTER KIT	112-7836	
	BIO-DIESEL ELEMENT KIT	110-9015	
	IN-LINE HYDRAULIC OIL FILTER	86-3010	
Multi Pro 5800	ENGINE OIL FILTER	108-3841	
	AIR FILTER ELEMENT	108-3810	
	DIESEL FUEL FILTER ELEMENT	110-9049	
	SEPARATOR FILTER ASSEMBLY	110-9044	
	50 BLUE SUCTION HYDRAULIC OIL FILTER	100-8642	
	HYDRAULIC OIL FILTER ELEMENT AT PUMP	75-1310	
	GASOLINE FUEL FILTER ELEMENT	125-2902	

*Not illustrated. **See pages 18-34 for Kit contents.

Prices subject to change without notice. NOTE: Please see your Parts Catalog or Master Parts Viewer to ensure ordering the correct part; the part needed may not be listed. **Not sold separately.

QUICK REFERENCE GUIDE

FILTERS

Specialty Turf Equipment

Equipment	Description	Part No.	Price Each
Sand Pro	AIR FILTER ELEMENT	108-3808	
	IN-LINE GAS FUEL FILTER	108-3831	
	HYDRAULIC OIL FILTER ELEMENT	23-9740	
Sand Pro 2000 3000	AIR FILTER ELEMENT - MAIN	45 083 02	
	AIR FILTER ELEMENT - WRAPPER	45 083 01	
	AIR FILTER ELEMENT - REMOTE	108-3808	
	IN-LINE GAS FUEL FILTER	108-3831	
	HYDRAULIC OIL FILTER ELEMENT	23-9740	
Sand Pro 2020 3020 5020	ENGINE OIL FILTER	107-7817	
	AIR FILTER ELEMENT - MAIN	92-0527	
	AIR FILTER ELEMENT - WRAPPER	272490S	
	AIR FILTER ELEMENT - REMOTE	108-3811	
	IN-LINE GAS FUEL FILTER	94-2690	
	HYDRAULIC OIL FILTER ELEMENT	23-9740	
Sand Pro 5000	ENGINE OIL FILTER	107-7817	
	AIR FILTER ELEMENT - MAIN	92-0527	
	AIR FILTER ELEMENT - WRAPPER	272490S	
	AIR FILTER ELEMENT - REMOTE (1992-94)	108-3808	
	AIR FILTER ELEMENT - REMOTE (1995 & UP)	108-3811	
	IN-LINE GAS FUEL FILTER	94-2690	
	HYDRAULIC OIL FILTER ELEMENT	23-9740	
Sand/Infield Pro 3040 5040	400 Hour Maintenance Kit	30035**	
	ENGINE OIL FILTER	107-7817	
	AIR FILTER ELEMENT - REMOTE	108-3811	
	IN-LINE GAS FUEL FILTER	94-2690	
	HYDRAULIC OIL FILTER ELEMENT	54-0110	
SandPro 2040Z	400 Hour Filter Maintenance Kit	08725**	
	FILTER ELEMENT	114-3494	
	INNER FILTER KIT	127-0381	
	OIL FILTER	119-5852	
	AIR FILTER	125-6438	
	IN-LINE FUEL FILTER	115-7854	
Trailer Sprayer 50T 80T	30 SUCTION WATER FILTER	99-0775	
	50 NOZZLE WATER FILTER	99-0853	
Trailer Sprayer 300T	30 GREEN SUCTION WATER FILTER	100-6991	
	50 BLUE SUCTION WATER FILTER	100-8642	
	80 RED SUCTION WATER FILTER	100-6992	
	PRESSURE WATER FILTER	100-6756	
Rake-0-Vac 66"	ENGINE OIL FILTER	12-050-01	
	ENGINE OIL FILTER BREATHER ELEMENT	24 050 01	
	AIR FILTER ELEMENT - MAIN	47 083 03	
	AIR FILTER ELEMENT - REMOTE	108-3808	
	IN-LINE GAS FUEL FILTER	25 050 03	
	ENGINE OIL FILTER	108-3847	

*Not illustrated. **See pages 18-34 for Kit contents.

Prices subject to change without notice. NOTE: Please see your Parts Catalog or Master Parts Viewer to ensure ordering the correct part; the part needed may not be listed. **Not sold separately.

Specialty Turf Equipment - continued

Equipment	Description	Part No.	Price Each
Turf Sweeper 4800	ENGINE OIL FILTER (2001 & UP)	52 050 02-S	
	AIR FILTER ELEMENT - MAIN (2001 & UP)	47 083 03	
	AIR FILTER ELEMENT - WRAPPER (2001 & UP)	24 083 02-S	
	IN-LINE GAS FUEL FILTER	108-3854	
	HYDRAULIC OIL FILTER ELEMENT (1992-95)	01-317-0240	
	HYDRAULIC OIL FILTER ELEMENT (1997 & UP)	23-9740	
Top Dresser	DIESEL FUEL FILTER ELEMENT (2500)	86-3010	
ProForce Debris Blower 800	ENGINE OIL FILTER	108-3847	
	AIR FILTER ELEMENT - MAIN	24 083 03	
	AIR FILTER ELEMENT - WRAPPER	24 083 05	
	IN-LINE GAS FUEL FILTER	108-3854	
Line Painter 1200	400 Hour Filter Kit	30036**	
	ENGINE OIL FILTER	108-3842	
	AIR FILTER ELEMENT - MAIN	108-2604	
	AIR FILTER ELEMENT - FOAM	108-2603	
ProCore Core Processor	ENGINE OIL FILTER	842921	
	AIR FILTER ELEMENT	108-3810	
	GAS FUEL FILTER	695666	
	ENGINE OIL FILTER	107-7817	

*Not illustrated. **See pages 18-34 for Kit contents.

Prices subject to change without notice. NOTE: Please see your Parts Catalog or Master Parts Viewer to ensure ordering the correct part; the part needed may not be listed. **Not sold separately.

QUICK REFERENCE GUIDE

NOZZLES

Step 1: CHOOSE YOUR NOZZLE

SYSTEMIC NOZZLES (OPEN BOOM)

	Excellent	Very Good	Good
Herbicides			
Soil Incorporated	•		
Pre-Emergence	•		
Post-Emergence		•	
Fungicides		•	
Insecticides		•	
Liquid Fertilizer	•		
Drift	•		



Systemic nozzles provide excellent spray distribution through a wide angle, flat spray pattern. These nozzles are excellent at reducing spray drift.



AIC TEEJET® (AIR INDUCTION FLAT FAN)

The AIC TeeJet® (Air Induction Flat Fan) nozzle is a good general purpose nozzle that can be used for both contact and systemic applications. The spray pattern is 110 degrees with tapered edges similar to a standard flat fan. This nozzle produces coarse air-filled droplets with a venturi air aspirator. The air-filled drops reduce spray drift but provide good contact coverage. Air Induction nozzles can be operated at higher spray pressures without creating excessive spray drift. Distribution AIC nozzles are best when used at pressures above 30 psi.

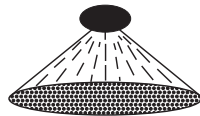
TURFJET WIDE ANGLE FLAT SPRAY

The TurfJet is a wide 130 degree angle nozzle with a tapered fan pattern. The TurfJet is best suited for systemic applications where distribution quality is the primary goal. The TurfJet creates extra coarse droplets and provides good drift control. Distribution quality is excellent at all pressures.



CONTACT NOZZLES (ANY BOOM)

	Excellent	Very Good	Good
Herbicides			
Soil Incorporated			
Pre-Emergence			
Post-Emergence	• contact/high-pressure		• systemic/low-pressure
Fungicides	• contact/high-pressure		• systemic/low-pressure
Insecticides	• contact/high-pressure		• systemic/low-pressure
Liquid Fertilizer		• systemic/low-pressure	• contact/high-pressure
Drift			• contact/high-pressure



Contact nozzles provide excellent spray distribution over a wide range of pressures. These nozzles allow for better coverage at higher pressures.

Toro exclusive AI Turbo Twin Jet in the 0.8, 1.0 and 1.5 sizes.



AIR INDUCTION TURBO TWINJET®

The Air Induction Turbo TwinJet® is an air induction style nozzle with two separate 110 degree spray patterns. One spray pattern is directed forward of vertical and the second pattern is directed rear of vertical. This nozzle creates medium and coarse droplets and is an excellent nozzle for contact applications where drift control is needed. The two independent spray patterns improve contact coverage by spraying the turf at two different angles.

XRC TEEJET® FLAT FAN

The Standard XRC Flat Fan nozzle has a 110 degree tapered spray pattern and produces medium and fine droplets. Because of the smaller droplets the Standard XRC Flat Fan is best suited for contact applications where drift control is not needed.

	Contact Products	Systemic Products	Drift Control
AIC	Good	Excellent	Excellent
AI Turbo Twinjet	Excellent	Good	Good
Turfjet	Poor	Excellent	Excellent
XRC	Excellent	Good	Poor



TIP STRAINERS

Step 2: NOZZLE SELECTION GUIDE

REMEMBER TO FILL ALL THREE NOZZLES on your turret to complete a variety of applications.

Color Code	Nozzle Options	Toro Part#	Spray Pressure psi
Yellow		120-0700	20
		120-0707	30
		95-9221	40
		Not Available	50
		120-0698	70
Red 0.4 gpm*	AIC AI Turbo TwinJet** TurfJet** XRC	120-0701	20
		120-0708	30
		95-9222	40
		117-5834	50
Brown 0.5 gpm*	AIC AI Turbo TwinJet** TurfJet** XRC	120-0702	20
		120-0709	30
		95-9223	40
		117-5835	50
Gray 0.6 gpm*	AIC AI Turbo TwinJet** TurfJet** XRC	120-0703	20
		120-0710	30
		95-9224	40
		117-5836	50
White 0.8 gpm*	AIC AI Turbo TwinJet TurfJet** XRC	120-0704	20
		120-0711	30
		95-9225	40
		117-5837	50
Blue 1.0 gpm*	AIC AI Turbo TwinJet TurfJet** XRC	120-0705	20
		120-0712	30
		95-9188	40
		117-5838	50
Green 1.5 gpm*	AIC AI Turbo TwinJet TurfJet** XRC	120-0706	20
		120-0713	30
		95-9226	40
		117-5839	50
	Tip Strainer - 50	120-0699	70

Step 3: ORDER THE CORRECT CAPS, GASKETS AND TIP STRAINERS

	Cap	Gasket†	Tip Strainer
AIC	Included	40998	120-0698 or 120-0699
AI Turbo Twinjet	120-8570	40998	120-0698 or 120-0699
Turfjet	95-9186	40998	120-0698 or 120-0699
XRC	Included	40998	120-0698 or 120-0699

† Gaskets are included with the nozzles/caps. Order if extra gaskets are required.

Step 4: SELECT THE DESIRED MAIN SUCTION LINE FILTER

Description	80 mesh	50 mesh	30 mesh
Part Number	100-6992	100-8642	100-6991

Capacity 1 Nozzle gpm	Flow in oz/min	Gallons Per Acre – 20' Nozzle Spacing										Gallons per 1000 sq ft – 20' Nozzle Spacing							
		3 mph	3.5 mph	4 mph	4.5 mph	5 mph	5.5 mph	6 mph	6.5 mph	7 mph	2.5 mph	3 mph	3.5 mph	4 mph	4.5 mph	5 mph	5.5 mph	6 mph	
0.14	18	13.9	11.9	10.4	9.2	8.3	7.6	6.9	6.4	5.9	0.38	0.32	0.27	0.24	0.21	0.19	0.17	0.16	
0.17	22	16.8	14.4	12.6	11.2	10.1	9.2	8.4	7.8	7.2	0.46	0.39	0.33	0.29	0.26	0.23	0.21	0.19	
0.20	26	19.8	17.0	14.9	13.2	11.9	10.8	9.9	9.1	8.5	0.54	0.45	0.39	0.34	0.30	0.27	0.25	0.23	
0.22	28	21.8	18.7	16.3	14.5	13.1	11.9	10.9	10.1	9.3	0.60	0.50	0.43	0.37	0.33	0.30	0.27	0.25	
0.24	31	23.8	20.4	17.8	15.8	14.3	13.0	11.9	11.0	10.2	0.65	0.54	0.47	0.41	0.36	0.33	0.30	0.27	
0.26	33	25.7	22.1	19.3	17.2	15.4	14.0	12.9	11.9	11.0	0.71	0.59	0.51	0.44	0.39	0.35	0.32	0.30	
0.28	36	27.7	23.8	20.8	18.5	16.6	15.1	13.9	12.8	11.9	0.76	0.63	0.54	0.48	0.42	0.38	0.35	0.32	
0.35	45	34.7	29.7	26.0	23.1	20.8	18.9	17.3	16.0	14.9	0.95	0.79	0.68	0.60	0.53	0.48	0.43	0.40	
0.40	51	39.6	33.9	29.7	26.4	23.8	21.6	19.8	18.3	17.0	1.09	0.91	0.78	0.68	0.60	0.54	0.49	0.45	
0.45	58	44.6	38.2	33.4	29.7	26.7	24.3	22.3	20.6	19.1	1.22	1.02	0.87	0.77	0.68	0.61	0.56	0.51	
0.49	63	48.5	41.6	36.4	32.3	29.1	26.5	24.3	22.4	20.8	1.33	1.11	0.95	0.83	0.74	0.67	0.61	0.56	
0.53	68	52.5	45.0	39.4	35.0	31.5	28.6	26.2	24.2	22.5	1.44	1.20	1.03	0.90	0.80	0.72	0.66	0.60	
0.35	45	34.7	29.7	26.0	23.1	20.8	18.9	17.3	16.0	14.9	0.95	0.79	0.68	0.60	0.53	0.48	0.43	0.40	
0.43	55	42.6	36.5	31.9	28.4	25.5	23.2	21.3	19.7	18.2	1.17	0.97	0.84	0.73	0.65	0.58	0.53	0.49	
0.50	64	49.5	42.4	37.1	33.0	29.7	27.0	24.8	22.9	21.2	1.36	1.13	0.97	0.85	0.76	0.68	0.62	0.57	
0.56	72	55.4	47.5	41.6	37.0	33.3	30.2	27.7	25.6	23.8	1.52	1.27	1.09	0.95	0.85	0.76	0.69	0.63	
0.61	78	60.4	51.8	45.3	40.3	36.2	32.9	30.2	27.9	25.9	1.66	1.38	1.19	1.04	0.92	0.83	0.75	0.69	
0.66	84	65.3	56.0	49.0	43.6	39.2	35.6	32.7	30.2	28.0	1.80	1.50	1.28	1.12	1.00	0.90	0.82	0.75	
0.42	54	41.6	35.6	31.2	27.7	25.0	22.7	20.8	19.2	17.8	1.14	0.95	0.82	0.71	0.63	0.57	0.52	0.48	
0.52	67	51.5	44.1	38.6	34.3	30.9	28.1	25.7	23.8	22.1	1.41	1.18	1.01	0.88	0.79	0.71	0.64	0.59	
0.60	77	59.4	50.9	44.6	39.6	35.6	32.4	29.7	27.4	25.5	1.63	1.36	1.17	1.02	0.91	0.82	0.74	0.68	
0.67	86	66.3	56.9	49.8	44.2	39.8	36.2	33.2	30.6	28.4	1.82	1.52	1.30	1.14	1.01	0.91	0.83	0.76	
0.73	93	72.3	62.0	54.2	48.2	43.4	39.4	36.1	33.4	31.0	1.99	1.65	1.42	1.24	1.10	0.99	0.90	0.83	
0.79	101	78.2	67.0	58.7	52.1	46.9	42.7	39.1	36.1	33.5	2.15	1.79	1.53	1.34	1.19	1.07	0.98	0.90	
0.57	73	56.4	48.4	42.3	37.6	33.9	30.8	28.2	26.0	24.2	1.55	1.29	1.11	0.97	0.86	0.78	0.70	0.65	
0.69	88	68.3	58.6	51.2	45.5	41.0	37.3	34.2	31.5	29.3	1.88	1.56	1.34	1.17	1.04	0.94	0.85	0.78	
0.80	102	79.2	67.9	59.4	52.8	47.5	43.2	39.6	36.6	33.9	2.18	1.81	1.55	1.36	1.21	1.09	0.99	0.91	
0.89	114	88.1	75.5	66.1	58.7	52.9	48.1	44.1	40.7	37.8	2.42	2.02	1.73	1.51	1.34	1.21	1.10	1.01	
0.98	125	97.0	83.2	72.8	64.7	58.2	52.9	48.5	44.8	41.6	2.67	2.22	1.90	1.67	1.48	1.33	1.21	1.11	
1.06	136	104.9	90.0	78.7	70.0	63.0	57.2	52.5	48.4	45.0	2.88	2.40	2.06	1.80	1.60	1.44	1.31	1.20	
0.71	91	70.3	60.3	52.7	46.9	42.2	38.3	35.2	32.4	30.1	1.93	1.61	1.38	1.21	1.07	0.97	0.88	0.80	
0.87	111	86.1	73.8	64.6	57.4	51.7	47.0	43.1	39.8	36.9	2.37	1.97	1.69	1.48	1.31	1.18	1.08	0.99	
1.00	128	99.0	84.9	74.3	66.0	59.4	54.0	49.5	45.7	42.4	2.72	2.27	1.94	1.70	1.51	1.36	1.24	1.13	
1.12	143	110.9	95.0	83.2	73.9	66.5	60.5	55.4	51.2	47.5	3.05	2.54	2.18	1.90	1.69	1.52	1.38	1.27	
1.22	156	120.8	103.5	90.6	80.5	72.5	65.9	60.4	55.7	51.8	3.32	2.77	2.37	2.07	1.84	1.66	1.51	1.38	
1.32	169	130.7	112.0	98.0	87.1	78.4	71.3	65.3	60.3	56.0	3.59	2.99	2.56	2.24	1.99	1.80	1.63	1.50	
1.06	136	104.9	90.0	78.7	70.0	63.0	57.2	52.5	48.4	45.0	2.88	2.40	2.06	1.80	1.60	1.44	1.31	1.20	
1.30	166	128.7	110.3	96.5	85.8	77.2	70.2	64.4	59.4	55.2	3.54	2.95	2.53	2.21	1.96	1.77	1.61	1.47	
1.50	192	148.5	127.3	111.4	99.0	89.1	81.0	74.3	68.5	63.6	4.08	3.40	2.91	2.55	2.27	2.04	1.85	1.70	
1.68	215	166.3	142.6	124.7	110.9	99.8	90.7	83.2	76.8	71.3	4.57	3.81	3.26	2.86	2.54	2.28	2.08	1.90	
1.84	236	182.2	156.1	136.6	121.4	109.3	99.4	91.1	84.1	78.1	5.00	4.17	3.57	3.13	2.78	2.50	2.27	2.09	
1.98	253	196.0	168.0	147.0	130.7	117.6	106.9	98.0	90.5	84.0	5.39	4.49	3.85	3.37	2.99	2.69	2.45	2.24	

80 Mesh 100-6992

50 Mesh 100-8642
(Standard Equipment)

30 Mesh 100-6991

* Recommended Valve Cal setting in Pro Control/XP: 46 for nozzles 0.2 gpm and 0.4 gpm. Use 23 for 0.5 gpm and higher.

** TurfJet and TwinJet Air nozzles are not compatible with the Toro Drift Reduction Boom Shroud. Application rates shown for nozzle selection purposes only. Verify actual rate before spraying. Speeds shown are for reference only. Always limit speed to maintain safe operation based on operating conditions.

TeeJet and TwinJet are registered trademarks of Spraying Systems Co.

QUICK REFERENCE GUIDE

NOZZLES

MULTI PRO SPRAY NOZZLE SELECTION GUIDE

Color Code	Nozzle Options	Toro Part#	Spray Pressure	Flow in l/min	Liters Per Hectare – 50 cm Spacing									
					3 km/h	4 km/h	5 km/h	6 km/h	7 km/h	8 km/h	9 km/h	10 km/h	12 km/h	14 km/h
Yellow 0.2 gpm*	AIC	120-0700	1.0	0.46	184	138	110	92.0	78.9	69.0	61.3	55.2	46.0	39.4
	AI Turbo TwinJet**	120-0707	1.5	0.56	224	168	134	112	96.0	84.0	74.7	67.2	56.0	48.0
	TurfJet**	95-9221	2.0	0.65	260	195	156	130	111	97.5	86.7	78.0	65.0	55.7
	XRC	Not Available	3.0	0.79	316	237	190	158	135	119	105	94.8	79.0	67.7
	Tip Strainer – 100	120-0698	5.0	1.02	408	306	245	204	175	153	136	122	102	87.4
Red 0.4 gpm*	AIC	120-0701	1.0	0.91	364	273	218	182	156	137	121	109	91.0	78.0
	AI Turbo TwinJet**	120-0708	1.5	1.12	448	336	269	224	192	168	149	134	112	96.0
	TurfJet**	95-9222	2.0	1.29	516	387	310	258	221	194	172	155	129	111
	XRC	117-5834	3.0	1.58	632	474	379	316	271	237	211	190	158	135
	Tip Strainer – 50	120-0699	5.0	2.04	816	612	490	408	350	306	272	245	204	175
Brown 0.5 gpm*	AIC	120-0702	1.0	1.14	456	342	274	228	195	171	152	137	114	97.7
	AI Turbo TwinJet**	120-0709	1.5	1.39	556	417	334	278	238	209	185	167	139	119
	TurfJet**	95-9223	2.0	1.61	644	483	386	322	276	242	215	193	161	138
	XRC	117-5835	3.0	1.97	788	591	473	394	338	296	263	236	197	169
	Tip Strainer – 50	120-0699	5.0	2.54	1016	762	610	508	435	381	339	305	254	218
Gray 0.6 gpm*	AIC	120-0703	1.0	1.37	548	411	329	274	235	206	183	164	137	117
	AI Turbo TwinJet**	120-0710	1.5	1.68	672	504	403	336	288	252	224	202	168	144
	TurfJet**	95-9224	2.0	1.94	776	582	466	388	333	291	259	233	194	166
	XRC	117-5836	3.0	2.37	948	711	569	474	406	356	316	284	237	203
	Tip Strainer – 50	120-0699	5.0	3.06	1224	918	734	612	525	459	408	367	306	262
White 0.8 gpm*	AIC	120-0704	1.0	1.82	728	546	437	364	312	273	243	218	182	156
	AI Turbo TwinJet	120-0711	1.5	2.23	892	669	535	446	382	335	297	268	223	191
	TurfJet**	95-9225	2.0	2.58	1032	774	619	516	442	387	344	310	258	221
	XRC	117-5837	3.0	3.16	1264	948	758	632	542	474	421	379	316	271
	Tip Strainer – 50	120-0699	5.0	4.08	1632	1224	979	816	699	612	544	490	408	350
Blue 1.0 gpm*	AIC	120-0705	1.0	2.28	912	684	547	456	391	342	304	274	228	195
	AI Turbo TwinJet	120-0712	1.5	2.79	1116	837	670	558	478	419	372	335	279	239
	TurfJet**	95-9188	2.0	3.23	1292	969	775	646	554	485	431	388	323	277
	XRC	117-5838	3.0	3.95	1580	1185	948	790	677	593	527	474	395	339
	Tip Strainer – 50	120-0699	5.0	5.10	2040	1530	1224	1020	874	765	680	612	510	437
Green 1.5 gpm*	AIC	120-0706	1.0	3.42	1368	1026	821	684	586	513	456	410	342	293
	AI Turbo TwinJet	120-0713	1.5	4.19	1676	1257	1006	838	718	629	559	503	419	359
	TurfJet**	95-9226	2.0	4.83	1932	1449	1159	966	828	725	644	580	483	414
	XRC	117-5839	3.0	5.92	2368	1776	1421	1184	1015	888	789	710	592	507
	Tip Strainer – 50	120-0699	5.0	7.64	3056	2292	1834	1528	1310	1146	1019	917	764	655

80 Mesh 100-6992

50 Mesh 100-8642
(Standard Equipment)

30 Mesh 100-6991

* Recommended Valve Cal setting in Pro Control/XP: 46 for nozzles 0.2 gpm and 0.4 gpm. Use 23 for 0.5 gpm and higher.

** TurfJet and TwinJet Air nozzles are not compatible with the Toro Drift Reduction Boom Shroud. Application rates shown for nozzle selection purposes only. Verify actual rate before spraying. Speeds shown are for reference only. Always limit speed to maintain safe operation based on operating conditions.

TeeJet and TwinJet are registered trademarks of Spraying Systems Co.

QUICK REFERENCE GUIDE

TIRES

Walk Greensmaster®

Equipment	Description	Tread	Application	Part No.	Price Each
Transport Wheel Kit	TIRE (12 X 3.25 - 6) 4-PLY	Block	-	65-7940	
Transpro Trailer 80 / 100	TIRE (20 X 10 - 8) 4-PLY	Turf Mate	-	99-4506	

Riding Greensmaster®

Equipment	Description	Tread	Application	Part No.	Price Each
Greensmaster 300	TIRE (18 X 9.5 - 8) 2-PLY	Smooth	Front & Rear	28-3680	
Greensmaster 3000	TIRE (18 X 9.5 - 8) 2-PLY	Smooth	Front & Rear	28-3680	
	TIRE (18 X 8.5 - 8) 4-PLY	Turf Traction	Front & Rear	119-3516	
Greensmaster 3000D	TIRE (18 X 9.5 - 8) 2-PLY	Smooth	Front & Rear	28-3680	
	TIRE (18 X 8.5 - 8) 4-PLY	Turf Traction	Front & Rear	119-3516	
	TIRE (19 X 10.5 - 8) 2-PLY	Traction	Front & Rear	70-8500	
Greensmaster 3050/3100/3150/3200	TIRE (18 X 9.5 - 8) 2-PLY	Smooth	Front & Rear	28-3680	
	TIRE (18 X 8.5 - 8) 4-PLY	Turf Traction	Front & Rear	119-3516	
Greensmaster 3200D	TIRE (18 X 9.5 - 8) 2-PLY	Smooth	Front & Rear	28-3680	
Greensmaster 3250D	TIRE (19 X 10.5 - 8) 2-PLY	Traction	Front & Rear	70-8500	
	TIRE (20 X 10 - 8) 4-PLY	Turf Mate	Front & Rear	99-4506	
Greensmaster 3300 / 3400	TIRE (19 X 10.5) 4-PLY	Smooth	Front & Rear	120-2783	

Reelmaster®

Equipment	Description	Tread	Application	Part No.	Price Each
Reelmaster 216 / 216D	TIRE (18 X 8.5 - 8) 4-PLY	Turf Traction	Front	119-3516	
	TIRE (18 X 6.5 - 8) 4-PLY (2WD)	Turf Traction	Rear	231-122	
Reelmaster 2000D/2300D/2600D	TIRE (20 X 10 - 8) 4-PLY	Turf Mate	Front & Rear	99-4506	
Reelmaster 3100D	TIRE (20 X 12 - 10) 4-PLY	Turf Trac R/S	Front	117-5125	
	TIRE (20 X 10 - 10) 4-PLY	Turf Trac R/S	Front & Rear	115-1572	
Reelmaster 3100D (2010 - Current)	TIRE (20 X 12 - 10) 4-PLY	Turf Traction	Front	117-5125	
	TIRE (20 X 10 - 10) 4-PLY	Turf Traction	Rear	115-1572	
Reelmaster 223D	TIRE (26 X 12 - 12) 4-PLY	Turf Traction	Front	231-134	
	TIRE (19 X 8.5 - 8) 4-PLY	Turf Traction	Rear	231-141	
Reelmaster 5100D/5300D	TIRE (26 X 12 - 12) 4-PLY	Turf Traction	Front	231-134	
	TIRE (19 X 8.5 - 8) 4-PLY	Turf Traction	Rear	231-141	
Reelmaster 5200D/5400D	TIRE (26 X 12 - 12) 4-PLY	Turf Traction	Front	231-134	
	TIRE (26.5 X 14 - 12) 2-PLY	Ultra Trac	Front	117-5196	
	TIRE (19 X 8.5 - 8) 4-PLY	Turf Traction	Rear	231-141	
	TIRE (20 X 10 - 10) 6-PLY	Turf Traction	Rear	86-5910	
Reelmaster 5500D	TIRE (26.5 X 14 - 12) 2-PLY	Ultra Trac	Front	117-5196	
	TIRE (20 X 10 - 10) 6-PLY	Turf Traction	Rear	86-5910	
Reelmaster 5210	TIRE (24 X 13 - 12) 6-PLY (2006-MID 2008)	Ultra Trac	Front	110-5132	
	TIRE (24 X 13 - 12) 4-PLY (MID 2008 & UP)	Ultra Trac	Front	95-2638	
	TIRE (20 X 10 - 10) 6-PLY (2006)	Turf Traction	Rear	86-5910	
	TIRE (20 X 10 - 10) 4-PLY (2007 & UP)	Turf Trac R/S	Rear	115-1572	
Reelmaster 5410/5510/5610	TIRE (26.5 X 14 - 12) 2-PLY	Ultra Trac	Front	117-5196	
	TIRE (20 X 12 - 10) 4-PLY	Turf Trac R/S	Rear	117-5125	
Reelmaster 6500D/6700D	TIRE (29 X 14 - 15) 6-PLY	Ultra Trac	Front	95-3465	
	TIRE (29 X 14 - 15) 6-PLY	Ultra Trac	Front	95-3465	
	TIRE (20 X 10 - 10) 6-PLY	Turf Traction	Rear	86-5910	

Riding Reelmaster®

Equipment	Description	Tread	Application	Part No.	Price Each
Reelmaster 450D/4500D	TIRE (31 X 13.5 - 15) 4-PLY	Turf Traction	Front	63-4480	
	TIRE (23 X 10.5 - 12) 6-PLY	Turf Traction	Rear	69-9880	
Reelmaster 335D	TIRE (23 X 10.5 - 12) 6-PLY	Turf Traction	Front	69-9880	
	TIRE (20 X 8 - 10) 6-PLY	Turf Traction	Rear	74-5560	
Reelmaster 3500D	TIRE (26 X 12 - 12) 8-PLY	Turf Traction	Front	86-5900	
	TIRE (20 X 10 - 10) 6-PLY	Turf Traction	Rear	86-5910	
Reelmaster 4000D	TIRE (31 X 13.5 - 15) 4-PLY	Turf Traction	Front	63-4480	
	TIRE (23 X 10.5 - 12) 6-PLY	Turf Traction	Rear	69-9880	
Reelmaster 7000D	TIRE (20 X 12 - 10) 4-PLY	Turf Traction	Rear	117-5125	
	TIRE (31 X 13.5 - 15) 4-PLY	Turf Traction	Front	63-4480	

Gangmower

Equipment	Description	Tread	Application	Part No.	Price Each
Reelmaster Transport Frame	TIRE (11 - 15) 6-PLY	Ribbed	-	56-7960	
Reelmaster Reel	TIRE (16 X 4 - 12) SEMI-PNEUMATIC	Chevron	-	12-9390	
	TIRE (16 X 4.8 - 8) 2-PLY PNEUMATIC	Stud	-	231-3	
	TIRE (18 X 4 - 12) SEMI-PNEUMATIC	Chevron	-	51-2550	

Groundsmaster®

Equipment	Description	Tread	Application	Part No.	Price Each
Groundsmaster 52/62/220	TIRE (20 X 8 - 10) 4-PLY	Turf Traction	Front	231-103	
Groundsmaster 220D	TIRE (23 X 8.5 - 12) 4-PLY	Turf Traction	Front	231-101	
	TIRE (23 X 10.5 - 12) 4-PLY - WIDE WHEEL OPT.	Turf Saver	Front	231-95	
	TIRE (16 X 6.5 - 8) 4-PLY RIBBED (2WD)	Ribbed	Rear	231-105	
Groundsmaster 223D	TIRE (23 X 8.5 - 12) 4-PLY (STANDARD)	Turf Traction	Front	231-101	
	TIRE (23 X 10.5 - 12) 4-PLY - WIDE WHEEL OPT.	Turf Saver	Front	231-95*	
	TIRE (23 X 10.5 - 12) 6-PLY - WIDE WHEEL OPT.	Turf Traction	Front	69-9880*	
	TIRE (16 X 6.5 - 8) 4-PLY RIBBED (2WD)	Ribbed	Rear	231-105	
	TIRE (18 X 6.5 - 8) 4-PLY (4WD)	Turf Traction	Rear	231-122	
Groundsmaster 224/225	TIRE (23 X 8.5 - 12) 4-PLY (224 STANDARD)	Turf Traction	Front	231-101	
	TIRE (23 X 8.5 - 12) 4-PLY (225 STANDARD)	Turf Traction	Front	95-3348	
	TIRE (23 X 10.5 - 12) 4-PLY - WIDE WHEEL OPT.	Turf Saver	Front	231-95*	
	TIRE (23 X 10.5 - 12) 6-PLY - WIDE WHEEL OPT.	Turf Traction	Front	69-9880*	
	TIRE (16 X 6.5 - 8) 4-PLY	Ribbed	Rear	231-105	
Groundsmaster 228D	TIRE (23 X 8.5 - 12) 4-PLY (STANDARD)	Turf Traction	Front	95-3348	
	TIRE (23 X 8.5 - 12) 6-PLY	Turf Traction	Front	231-138	
	TIRE (16 X 6.5 - 8) 4-PLY (2WD)	Ribbed	Rear	231-105	
	TIRE (18 X 6.5 - 8) 4-PLY (4WD)	Turf Traction	Rear	231-122	
Groundsmaster 322D/325D	TIRE (23 X 8.5 - 12) 4-PLY (STANDARD)	Turf Traction	Front	231-101	
	TIRE (23 X 8.5 - 12) 6-PLY	Turf Traction	Front	231-138	
	TIRE (23 X 10.5 - 12) 4-PLY - WIDE WHEEL OPT.	Turf Saver	Front	231-95*	
	TIRE (23 X 10.5 - 12) 6-PLY - WIDE WHEEL OPT.	Turf Traction	Front	69-9880*	
	TIRE (16 X 6.5 - 8) 4-PLY RIBBED (2WD)	Ribbed	Rear	231-105	
	TIRE (18 X 6.5 - 8) 4-PLY (4WD)	Turf Traction	Rear	231-122	
Groundsmaster 327	TIRE (23 X 8.5 - 12) 4-PLY (STANDARD)	Turf Traction	Front	231-101	
	TIRE (23 X 10.5 - 12) 4-PLY - WIDE WHEEL OPT.	Turf Saver	Front	231-95*	
	TIRE (23 X 10.5 - 12) 6-PLY - WIDE WHEEL OPT.	Turf Traction	Front	69-9880*	
	TIRE (16 X 6.5 - 8) 4-PLY	Ribbed	Rear	231-105	
Groundsmaster 328D	TIRE (23 X 8.5 - 12) 4-PLY (STANDARD)	Turf Traction	Front	95-3348	
	TIRE (23 X 10.5 - 12) 4-PLY - WIDE WHEEL OPT.	Turf Saver	Front	231-95*	
	TIRE (23 X 10.5 - 12) 6-PLY - WIDE WHEEL OPT.	Turf Traction	Front	69-9880*	
	TIRE (16 X 6.5 - 8) 4-PLY (2WD)	Ribbed	Rear	231-105	
	TIRE (18 X 6.5 - 8) 4-PLY (4WD)	Turf Traction	Rear	231-122	

QUICK REFERENCE GUIDE

TIRES

Groundmaster® - continued

Equipment	Description	Tread	Application	Part No.	Price Each
Groundmaster 345	TIRE (23 X 8.5 - 12) 4-PLY (STANDARD)	Turf Traction	Front	95-3348	
	TIRE (23 X 10.5 - 12) 4-PLY - WIDE WHEEL OPT.	Turf Saver	Front	231-95*	
	TIRE (23 X 10.5 - 12) 6-PLY - WIDE WHEEL OPT.	Turf Traction	Front	69-9880*	
	TIRE (16 X 6.5 - 8) 4-PLY	Ribbed	Rear	231-105	
Groundmaster 360	TIRE (23 X 10.5 - 12) 6-PLY	Tuff Trac	Front & Rear	117-2901	
Groundmaster 455D	TIRE (26 X 12 - 12) 8-PLY	Turf Traction	Front	86-5900	
	TIRE (26 X 12 - 12) 6-PLY	Multi Trac C/S	Front	99-5434	
	TIRE (20 X 10 - 10) 6-PLY	Turf Traction	Rear	86-5910	
	TIRE (20 X 10 - 10) 6-PLY	Multi Trac C/S	Rear	94-5236	
Groundmaster 580D	TIRE (31 X 13.5 - 15) 8-PLY (STANDARD)	Turf Traction	Front	69-9800	
	TIRE (23 X 10.5 - 12) 6-PLY	Turf Traction	Rear	69-9880	
Groundmaster 3000 3000D	TIRE (25 X 10.5 - 15) 6-PLY	Turf Trac R/S	Front	93-5431	
	TIRE (26.5 X 14 - 12) 2-PLY - WIDE WHEEL OPT.	Ultra Trac	Front	117-5196	
	TIRE (24 X 13 - 12) 4-PLY	Ultra Trac	Front	95-2638	
	TIRE (20 X 8 - 10) 6-PLY	Turf Traction	Rear	74-5560	
	TIRE (18 X 8.5 - 10) 4-PLY	Multi Trac C/S	Rear	95-2625	
Groundmaster 3500D / 3505D	TIRE (20 X 12 - 10) 4-PLY	Turf Trac R/S	Front	117-5125	
	TIRE (20 X 10 - 10) 4-PLY	Turf Trac R/S	Rear	115-1572	
Groundmaster 3280D	TIRE (23 X 9.5 - 12) 4-PLY	Multi Trac C/S	Front	117-0823	
	TIRE (23 X 10.5 - 12) 4-PLY - WIDE WHEEL OPT.	Turf Saver	Front	231-95	
	TIRE (23 X 10.5 - 12) 6-PLY - WIDE WHEEL OPT.	Turf Traction	Front	69-9880	
	TIRE (16 X 6.5 - 8) 4-PLY (2WD)	Ribbed	Rear	231-105	
	TIRE (18 X 6.5 - 8) 4-PLY (4WD)	Turf Traction	Rear	231-122	
Groundmaster 3320	TIRE (23 X 9.5 - 12) 4-PLY	Multi Trac C/S	Front	117-0823	
	TIRE (23 X 10.5 - 12) 4-PLY - WIDE WHEEL OPT.	Turf Saver	Front	231-95	
	TIRE (23 X 10.5 - 12) 6-PLY - WIDE WHEEL OPT.	Turf Traction	Front	69-9880	
	TIRE (16 X 6.5 - 8) 4-PLY	Ribbed	Rear	231-105	
Groundmaster 4000D / 4100D	TIRE (26 X 12 - 12) 6-PLY	Multi Trac C/S	Front	99-5434	
	TIRE (20 X 10 - 10) 6-PLY	Multi Trac C/S	Rear	94-5236	
Groundmaster 4300D	TIRE (26.5 X 14 - 12) 2-PLY	Ultra Trac	Front	117-5196	
	TIRE (20 X 12 - 10) 4-PLY	Turf Trac R/S	Rear	117-5125	
Groundmaster 4500D / 4700D	TIRE (29 X 14 - 15) 6-PLY	Ultra Trac	Front	95-3465	
	TIRE (20 X 12 - 10) 4-PLY	Turf Trac R/S	Rear	117-5125	
Groundmaster 5900 / 5910	TIRE (29 X 12.5 - 15) 10-PLY	Multi Trac C/S	Front	114-4861	
	TIRE (23 X 10.5 - 12) 6-PLY	Multi Trac C/S	Rear	117-2901	
Groundmaster 7200 / 7210	TIRE (24 X 12 - 12) 6-PLY	Multi Trac C/S	Rear	106-7868	
	TIRE (24 X 12 - 12) 6-PLY	Lug	Rear	103-6771	

Aerator

Equipment	Description	Tread	Application	Part No.	Price Each
Hydroject 3000/3010	TIRE (18 X 9.5 - 8) 2-PLY	Smooth	Front	28-3680	
	TIRE (18 X 9.5 - 8) 2-PLY	Smooth	Rear	28-3680	
Hydroject 4000 (Tongue Hitch)	TIRE (16 X 6.5 - 8) 4-PLY	Ribbed	-	231-105	
Hydrotote Trailer	TIRE (15 X 6 - 6) 2-PLY	Ribbed	-	108-9955	
ProCore 648 Aerator	TIRE (19 X 10.5 - 8) 2-PLY	Traction	Front	70-8500	
	TIRE (19 X 10.5 - 8) 2-PLY	Traction	Rear	70-8500	
ProCore Processor		Turf Traction	-	114-7741	

*Do not use with 72" rear discharge cutting deck

Vehicle

Equipment	Description	Tread	Application	Part No.	Price Each
Workman 1100	TIRE (20 X 10 - 8) 4-PLY (2001-2003)	Turf Trac	Front	99-7300	
	TIRE (22 X 9.5 - 10) 4-PLY (2004-2005)	Turf Trac	Front & Rear	127-7435	
	TIRE (22.5 X 10 - 8) 4-PLY (2001-2003)	Turf Trac R/S	Rear	108-7007	
Workman MD / MDE	TIRE (22 X 9.5 - 10) 4-PLY	Turf Trac	Front & Rear	127-7435	
Workman 2100	TIRE (22 X 9.5 - 10) 4-PLY (2004-2005)	Turf Trac	Front & Rear	127-7435	
	TIRE (22.5 X 10 - 8) 4-PLY (1999-2003)	Turf Trac R/S	Rear	108-7007	
Workman 2110	TIRE (22 X 9.5 - 10) 4-PLY	Turf Trac R/S	Front	104-7064	
	TIRE (24 X 12 - 10) 4-PLY	Turf Trac R/S	Rear	131-6667	
	TIRE (24 X 12 - 10) 4-PLY	Turf Trac R/S	Rear	131-6667	
	TIRE (22 X 9.5 - 10) 4-PLY	Multi Trac C/S	Front & Rear	127-7435	
	TIRE (22.5 X 10 - 8) 4-PLY	Turf Trac R/S	Front & Rear	108-7007	
Workman GTX	TIRE (22 X 9.5 - 10) 4-PLY	Turf	Front & Rear	131-8318	
Workman MDX/MDX-D	TIRE (22 X 9.5 - 10) 4-PLY	Turf Trac	Front	127-7435	
	TIRE (24 X 12 - 10) 4-PLY	Turf Trac R/S	Rear	131-6667	
Workman Series 3000 4000	TIRE (20 X 10 - 10) 4-PLY	Ribbed	Front	94-5261	
	TIRE (20 X 10 - 10) 6-PLY (4WD)	Multi Trac C/S	Front	94-5236	
	TIRE (20 X 10 - 10) 6-PLY	Chevron	Front	112-3163	
	TIRE (23 X 10.5 - 12) 4-PLY	Turf Trac R/S	Rear	87-3290	
	TIRE (24 X 12 - 12) 6-PLY	Turf Trac C/S	Rear	106-7868	
	TIRE (24 X 13 - 12) 6-PLY (1993-2001)	Chevron	Rear	110-5132	
Workman HD / HDX HDX-D / HDX-Auto	TIRE (20 X 9 - 12) 6-PLY	Tuff Trac	Front	131-6670	
	TIRE (24 X 12 - 12) 6-PLY	Multi Trac C/S	Rear	106-7868	
	TIRE (24 X 12 - 12) 6-PLY (MODEL 70366)	Multi Trac C/S	Rear	106-7868	
	TIRE (24 X 13 - 12) 6-PLY	Ultra Trac	Rear	110-5132	
	TIRE (23 X 8.5 - 12) 6-PLY	Ag	Rear	98-2993	
	TIRE (23 X 10.5 - 12) 4-PLY	Saw Tooth	Rear	99-1091	
Workman Boom Enclosure	TIRE (15 X 6 - 6) 2-PLY	Ribbed	-	108-9955	
Workmaster	TIRE (18 X 8.5 - 8) 4-PLY	Ribbed	Front	119-6343	
	TIRE (23 X 8.5 - 12) 4-PLY	Turf Traction	Rear	231-101	

Multi Pro

Equipment	Description	Tread	Application	Part No.	Price Each
Multi Pro 1100 / 1200 / 1250	TIRE (18 X 9.5 - 8) 4-PLY	Smooth	Front	110-5133	
	TIRE (18 X 9.5 - 8) 4-PLY	Ribbed	Front	106-9691	
	TIRE (24 X 13 - 12) 6-PLY	Ultra Trac	Rear	110-5132	
Multi Pro 5200 / 5500 / 5600 / 5700D	TIRE (23 X 10.5 - 12) 4-PLY	Turf Trac R/S	Front	87-3290	
	TIRE (26.5 X 14 - 12) 2-PLY	Ultra Trac	Rear	117-5196	
Multi Pro 5800D	TIRE (23 X 10.5 - 12) 4-PLY	Turf Trac	Front	119-6021	
	TIRE (26.5 X 14 - 12) 2-PLY	Turf Trac	Rear	117-5196	
Multi Pro Boom Enclosure	TIRE (15 X 6 - 6) 2-PLY	Ribbed	-	108-9955	

Specialty Turf Equipment

Equipment	Description	Tread	Application	Part No.	Price Each
Rak-O-Vac Sweeper	TIRE (11L-15SL)	Ribbed	-	119-6225	
Turf Sweeper 4800	TIRE (18 X 8.5 - 8) 4-PLY	Ribbed	Front	119-6343	
	TIRE (18 X 9.5 - 8) 4-PLY	Turf Traction	Rear	95-0177	
Debris Blower 800	TIRE (20 X 10 - 8) 4-PLY	Turf Trac R/S	-	99-7300	
Pro Force Debris Blower	TIRE (18.2 X 8.5 - 8) 4-PLY	Turf Traction	-	119-3009	
Topdresser 2300	TIRE (18 X 8.5 - 8) 4-PLY	Ribbed	-	119-6343	
Topdresser 2500	TIRE (18 X 9.5 - 8) 4-PLY	Multi Ribbed	-	106-9691	
300T Trailer Sprayer	TIRE (29 X 14 - 15) 6-PLY	Ultra Trac	-	95-3465	
ProCore Core Processor	TIRE (18 X 9.5 - 8) 6-PLY	Turf Traction	-	114-7741	

QUICK REFERENCE GUIDE

TIRES

Sand Pro / Infield Pro

Equipment	Description	Tread	Application	Part No.	Price Each
Sand Pro	TIRE (22 X 11 - 8) 2-PLY	Knobby	Front & Rear	85-8290	
Sand Pro 2000	TIRE (22 X 11 - 8) 2-PLY	Knobby	Front & Rear	85-8290	
Sand Pro	TIRE (22 X 11 - 8) 2-PLY	Knobby	Front & Rear	85-8290	
2020 / 3000 / 3020 / 5000 / 5020	TIRE (22 X 11 - 8) 2-PLY	Turf Trac R/S	Front & Rear	121-9072	
Sand/Infield Pro	TIRE (22 X 11 - 8) 2-PLY	Knobby	Front & Rear	85-8290	
3040 / 5040	TIRE (22 X 11 - 8) 2-PLY	Turf Trac R/S	Front & Rear	121-9072	
	TIRE (22 X 11 - 8) 2-PLY	Smooth	Front & Rear	110-3364	
GreensPro 1200	TIRE (16 X 6.5-8) 4-PLY	Turf	-	111-5755	

QUICK REFERENCE GUIDE

ROLLERS

Groundsmaster®

Equipment	Description	Part No.	Price Each
Groundsmaster 3500D/3505D/4000D/ 4100D/4500D/4700D/ 5900D/5910/ 7200/ 7210/360	ROLLER ASM - UHMW*	131-7800	
	ROLLER ASSEMBLY - ROLLER AND CARRIER FRAME ASSEMBLY	115-3418	
	ROLLER AND BRACKET KIT	112-5291	
	ROLLER ASSEMBLY (2007 & UP)	112-5265	
	CENTER DECK ROLLER	93-4803	
	CENTER DECK ROLLER	68-6710	
	PLASTIC ROLLER (GM 4500D/4700D)	105-9816	
	ROLLER (GM 3500D/4300/4500D/4700D)	104-1093	
	ROLLER (GM 4000D/4100D/7200/7210)	29-4820	
Groundsmaster 200/300 Series	REAR ROLLER	36-1740	
	FRONT ROLLER	68-6710	
	FRONT ROLLER (GM 300 SERIES)	31-0750	
	WHEEL GAGE (GM 300 SERIES)	93-4747	

*Ballast Kit required (1 per deck) Part No. 136-2881

Walk Greensmaster®

Equipment	Description	Length (inches)	Part No.	Price Each
Greensmaster 800 1000/1600 2000/2600	WIDE WIEHLE ROLLER ASSEMBLY (GR 800)	19.1	98-7264	
	NARROW WIEHLY ROLLER ASSEMBLY (GR 800)	19.1	99-6240	
	WIDE WIEHLE ROLLER ASSEMBLY - CAST (GR 1000)	22.15	71-1550	
	WIEHLE ROLLER ASSEMBLY - ALUMINUM (GR 1000)	22.15	88-6790	
	WIEHLE ROLLER ASSEMBLY - 0.20" SPACING (GR 1000/2000)	22.15	99-6241	
	WIEHLE ROLLER ASSEMBLY (GR 1600/2600)	27.31	93-9039	
	SWAGED ROLLER ASSEMBLY (GR 1000)	22.15	52-3590	
	FULL ROLLER ASSEMBLY (GR 1000)	22.15	52-3170	
	FULL ROLLER ASSEMBLY (GR 1600)	27.31	95-0930	
	FULL ROLLER ASSEMBLY (GR 800)	19.1	104-2640	
	FULL ROLLER ASSEMBLY 21" (GR 1000)	22.15	104-2642	
Greensmaster Flex 18/21	FULL REAR ROLLER ASSEMBLY (FLEX 21)	22.15	115-7356	
	WIEHLE ROLLER ASSEMBLY - WIDE SPACING (FLEX 21)	22.15	115-7386	
	WIEHLE ROLLER ASSEMBLY - NARROW SPACING (FLEX 21)	22.15	115-7360	
	WIEHLE ROLLER TUBE - NARROW SPACING	22.15	104-0540	
	2.5" FULL ROLLER ASSEMBLY (FLEX 18)	19.15	120-9611	
	TUBE - 2" FULL ROLLER (FLEX 18)	19.15	110-2220	
	WIEHLE ROLLER ASSEMBLY - WIDE SPACING (FLEX 18)	19.15	120-9609	
	TUBE - WIEHLE NARROW SPACING (FLEX 18)	19.15	110-2221	
	TUBE - WIEHLE WIDE SPACING (FLEX 18)	19.15	110-2227	
	AUXILIARY ROLLER ASSEMBLY	N/A	108-4339	
	ROLLER - AUXILIARY	N/A	108-4334	
	WIDE WIEHLE ROLLER KIT	19.15	120-9609	

Riding Greensmaster®

Equipment	Description	Length (inches)	Part No.	Price Each
Greensmaster 3/300/3000 Style Cutting Units*	REAR ROLLER ASSEMBLY	N/A	52-3120	
	REAR ROLLER ASSEMBLY	21.62	21-8450	
	WIEHLE ROLLER ASSEMBLY (1989 & OLDER)	22.15	52-3200	
	WIEHLE ROLLER ASSEMBLY - CAST (1990 & UP)	22.15	71-1550	
	WIEHLE ROLLER ASSEMBLY - ALUMINUM (1990 & UP)	22.15	88-6790	
	SWAGED ROLLER	22.15	52-3590	
	FULL ROLLER ASSEMBLY	22.15	52-3170	
	Greensmaster 3200/3250 Cutting Units	ROLLER TUBE (4 BOLT ADJUSTMENT CUTTING UNIT)	20.75	93-2467
REAR ROLLER ASSEMBLY (4 BOLT ADJUSTMENT CUTTING UNIT)		20.75	95-2910	
REAR WIEHLE ROLLER ASSEMBLY		21.25	94-8150	
ANTI-SCALP ROLLER GR 3250		N/A	99-4210	
FULL ROLLER ASSEMBLY		22.15	120-9595	
WIEHLE ROLLER TUBE		22.15	104-0540	
FRONT ROLLER ASSEMBLY (GR 3250)		25.75	99-4211	
WIEHLE ROLLER ASSEMBLY (0.20" SPACING)		22.15	115-7360	
WIEHLE ROLLER ASSEMBLY (0.93" SPACING)	22.15	115-7386		

Riding Greensmaster® - continued

Equipment	Description	Length (inches)	Part No.	Price Each
Greensmaster Dethatcher/Tri-Roller/Spiker Assemblies	ROLLER ASSEMBLY	19.38	95-5943	
	ANTI-SCALP ROLLER	N/A	99-4210	
	REAR ROLLER ASSEMBLY (SPIKER/TRI-ROLLER)	20.75	99-1615	
Greensmaster 3300/3320/3400/3420	REAR FULL ROLLER ASSEMBLY	22.15	119-4093	

Reelmaster®

Equipment	Description	Length (inches)	Part No.	Price Each
Reelmaster 216/216D/2000D/2300D/ 2600D/3100D	27" ROLLER ASSEMBLY	N/A	61-0410	
	32" SOLID ROLLER ASSEMBLY	N/A	94-4982	
	27" WIEHLE ROLLER TUBE	27.78	104-1386-03	
	32" WIEHLE ROLLER TUBE	32.4	104-1389-03	
	27" WIEHLE ROLLER ASSEMBLY (1993- 2002)	27.64	92-1846	
	27" WIEHLE ROLLER ASSEMBLY (2003 AND UP)	27.75	104-1385	
	27" VERTICUTTER ROLLER RM 3100D (2006 AND UP)	N/A	108-4293	
	32" WIEHLE ROLLER ASSEMBLY (1993 - 2002)	32.4	94-4993	
	32" WIEHLE ROLLER ASSEMBLY (2003 AND UP)	32.4	104-1388	
Reelmaster 335D/3500D/450D/4500D	REAR ROLLER ASSEMBLY	30.1	59-5630	
	WIEHLE ROLLER ASSEMBLY (34.25" ROLLER)	2.75	62-6130	
	WIEHLE ROLLER ASSEMBLY (33.25" ROLLER)	33.25	84-6080	
	FRONT ROLLER ASSEMBLY (33.25" ROLLER)	30.1	59-5630	
	FRONT ROLLER	33.25	84-6180	
Reelmaster 223D/5100D/5200D/ 5300D/ 5500D	WIEHLE ROLLER ASSEMBLY	23.22	75-1520	
	PREMIUM REAR ROLLER ASSEMBLY	19.24	94-0694	
	ROLLER ASSEMBLY	21.872	100-2536	
Reelmaster Dethatching Reel Parts 223D/5100D/5200D/ 5300D/5500D	REAR ROLLER ASSEMBLY	23	114-5404	
	WIEHLE ROLLER ASSEMBLY	23.22	75-1520	
Reelmaster 5010-H/ 5210/5410/5510/5610	2.5" SHORT REAR ROLLER ASSEMBLY (RM 5210/5410 2006-07)	20.5	110-4066	
	3" SHORT REAR ROLLER ASSEMBLY (RM 5210/5410 2006-07)	20.5	110-4065	
	2.5" LONG REAR ROLLER ASSEMBLY (RM 5210/5410 2006-07)	23	107-4040	
	3" LONG REAR ROLLER ASSEMBLY (RM 5210/5410 2006-07)	23	107-4024	
	2.5" SHORT REAR ROLLER ASSEMBLY (RM 5210/5410 2008 & UP)	20.5	114-5406	
	3" SHORT REAR ROLLER ASSEMBLY (RM 5210/5410 2008 & UP)	20.5	114-5417	
	2.5" LONG REAR ROLLER ASSEMBLY (RM 5210/5410 2008 & UP)	23	114-5404	
	3" LONG REAR ROLLER ASSEMBLY (RM 5210/5410 2008 & UP)	23	114-5415	
	2.5" SHORT REAR ROLLER TUBE (RM 5210/5410 2008 & UP)	17.875	115-8293-03	
	3" LONG REAR ROLLER TUBE (RM 5210/5410 2008 & UP)	20.375	115-8292-03	
	3" FULL FRONT ROLLER ASSEMBLY (RM 5210/5410/5510/5610 2006-07)	24.5	110-9605	
	3" FULL FRONT ROLLER ASSEMBLY (RM 5210/5410/5510/5610 2008 & UP)	24.5	114-5412	
	2.5" FULL FRONT ROLLER ASSEMBLY	24.5	114-5419	
	3" FRONT FULL ROLLER TUBE (RM 5210/5410/5510/5610 2006-07)	24.5	110-9612-03	
	2.5" FULL FRONT ROLLER TUBE (RM 5210/5410/5510/5610 2008 & UP)	21.875	115-8295-03	
	PLASTIC SHOULDER FRONT ROLLER ASSEMBLY (2008 & UP)	24.5	114-5421	
	FRONT PLASTIC SHOULDER ROLLER TUBE (2008 & UP)	24.5	114-5422	
	PLASTIC WIEHLE FRONT ROLLER ASSEMBLY	24.5	114-5400	
	PLASTIC WIEHLE FRONT ROLLER ASSEMBLY (2008 & UP)	24.5	114-5401	
	KICKSTAND ROLLER (VERTICUTTER)	N/A	108-4293	
Reelmaster 5500D/6500D/6700D	3" FULL REAR LONG ROLLER ASSEMBLY	23	114-5415	
	3" FULL ROLLER ASSEMBLY	23	99-5749	
	REAR ROLLER ASSEMBLY 2.5" X 20.5"	20.5	98-7966	
	ROLLER TUBE ASSEMBLY	N/A	94-4335	
	WIEHLE ROLLER ASSEMBLY*	23.82	99-8686	
	WIEHLE ROLLER TUBE ASSEMBLY	23	100-9905-03	
	WIEHLE ROLLER ASSEMBLY	23	100-9906	
SHOULDER WIEHLE ROLLER ASSEMBLY	23	99-8675		
SHOULDER WIEHLE ROLLER	23	100-9910-03		

QUICK REFERENCE GUIDE

ROLLERS

Reelmaster[®] - continued

Equipment	Description	Length (inches)	Part No.	Price Each
Reelmaster 6500D/6700D DPA Cutting Unit and Verticutter Rollers	3" SHORT REAR ROLLER ASSEMBLY (2007)	20.5	110-4065	
	3" LONG REAR ROLLER ASSEMBLY (2007)	23	107-4024	
	2.5" LONG REAR ROLLER ASSEMBLY (VERTICUTTER)	23	107-4040	
	3" SHORT REAR ROLLER ASSEMBLY (2008 & UP)	20.5	114-5417	
	3" LONG REAR ROLLER ASSEMBLY (2008 & UP)	23	114-5415	
	3" LONG REAR ROLLER TUBE (2008)	20.375	115-8292-03	
	3" LONG REAR ROLLER TUBE (2009 & UP)	20.375	115-8292-03	
	PLASTIC WIEHLE FRONT ROLLER ASSEMBLY	24.5	114-5400	
	FRONT PLASTIC WIEHLE ROLLER TUBE (2008 & UP)	24.5	114-5401	
	PLASTIC SHOULDER FRONT ROLLER ASSEMBLY (2008 & UP)	24.5	114-5421	
	FRONT PLASTIC SHOULDER ROLLER TUBE (2008 & UP)	24.5	114-5422	
	3" FULL FRONT ROLLER ASSEMBLY (2007)	24.5	110-9605	
	3" FULL FRONT ROLLER ASSEMBLY	24.5	114-5412	
	3" FULL FRONT ROLLER TUBE (2007)	24.5	110-9612-03	
	2.5" FULL FRONT ROLLER TUBE (VERTICUTTER)	24.5	114-5419	
Reelmaster 7000D	PLASTIC SHOULDER ROLLER ASSEMBLY	28	119-0630	
	PLASTIC WIEHLE ROLLER ASSEMBLY	28	117-0960	
	FULL FRONT ROLLER ASSEMBLY	28	114-9383	
	3" REAR ROLLER ASSEMBLY (DPA)	28	112-8915	
	SHORT REAR ROLLER ASSEMBLY	20.5	119-4286	
	PLASTIC SHOULDER ROLLER	32.6	119-0641	
	3" ROLLER TUBE ASSEMBLY	20.375	115-8292-03	
	PLASTIC WIEHLE ROLLER (27")	28	117-0959	
	PLASTIC WIEHLE ROLLER (32")	32.6	117-0989	
Reelmaster 3550/3555/3575	PLASTIC WIEHLE ROLLER ASSEMBLY (18")	20.5	112-1704	
	FULL FRONT ROLLER ASSEMBLY (18")	20.5	112-1732	
	PLASTIC SHOULDER ROLLER ASSEMBLY (18")	20.5	112-1733	
	PLASTIC WIEHLE ROLLER ASSEMBLY (22")	24.5	114-5400	
	FULL FRONT ROLLER ASSEMBLY (22")	24.5	114-5412	
	PLASTIC SHOULDER ROLLER ASSEMBLY (22")	24.5	114-5421	
	SHORT REAR ROLLER ASSEMBLY (18")	17	112-1708	
	LONG REAR ROLLER ASSEMBLY (18")	19	112-1728	
	LONG REAR ROLLER ASSEMBLY (22" - 2.5" DIA)	23	114-5404	
	SHORT REAR ROLLER ASSEMBLY (22" - 2.5" DIA)	20.5	114-5406	

Other

Equipment	Description	Part No.	Price Each
ProCore	REAR ROLLER KIT (PROCORE 648)	110-4444	
	REAR ROLLER KIT (PROCORE SR75)	121-6903-03	
	ROLLER ASSEMBLY (PROCORE 864)	110-4252-03	
SandPro	ROLLER ASSEMBLY (SANDPRO 3040/5040)	115-3418	
	ROLLER DRIVE ASSEMBLY (SANDPRO 3040/5040)	104-1093	
ProStripe	REAR ROLLER (PROSTRIPE 560)	560031W	

GREENSMASTER®

87 Greensmaster 500

88 Greensmaster 800 / 1000 / 1600 / 2000 / 2600

94 Greensmaster® Flex® 18 / 21

94 Greensmaster Flex 1800 / 2100

100 Greensmaster 300 / 3000

113 Greensmaster 3200 Series

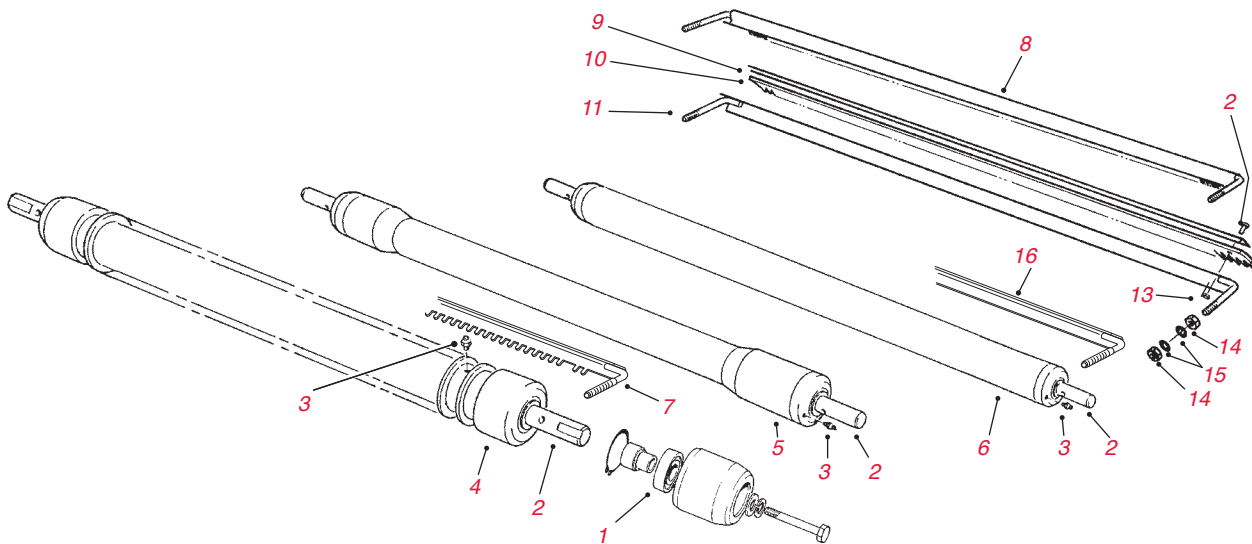
141 Greensmaster® TriFlex® & TriFlex Hybrid



WALK GREENMASTERS

GREENMASTER® ROLLER PARTS 500 / 800 / 1000 / 1600 / 2000 / 2600

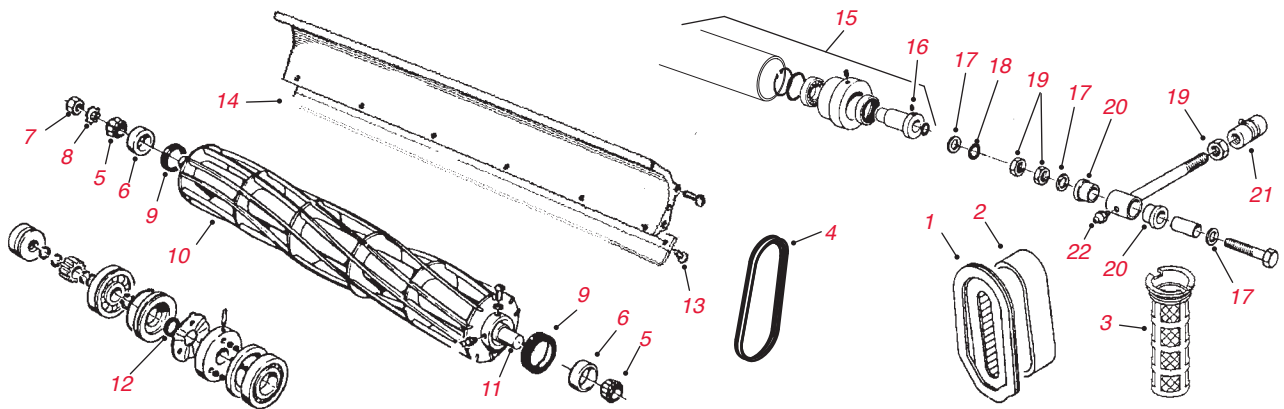
Ref. No.	Part No.	Description	Qty.	Sale Price
1	251-190	ORDER 36-7420	2	
1	36-7420	BEARING - AUXILIARY ROLLER (GR 1000)	2	
2	52-3210	ORDER 52-3180	2	
2	52-3180	BEARING ROLLER	2	
3	302-5	GREASE FITTING	2	
4	98-7264	WIDE WIEHLE ROLLER ASSEMBLY (GR 800)	1	
4	99-6240	NARROW WIEHLE ROLLER ASSEMBLY (GR 800)	1	
4	71-1550	WIDE WIEHLE ROLLER ASSEMBLY - CAST (GR 1000)	1	
4	88-6790	WIEHLE ROLLER ASSEMBLY - ALUMINUM (GR 1000)	1	
4	99-6241	WIEHLE ROLLER ASSEMBLY - 0.20" SPACING (GR 1000/2000)	1	
4	93-9039	WIEHLE ROLLER ASSEMBLY (GR 1600/2600)	1	
*	107-1589**	Roller Rebuild MVP Kit	A/R	
5	10-5000	ORDER 52-3590	1	
5	21-6470	ORDER 52-3590	1	
5	52-3590	SWAGED ROLLER ASSEMBLY (GR 1000)	1	
*	107-1588**	Roller Rebuild MVP Kit	A/R	
6	21-6440	ORDER 52-3170	1	
6	52-3170	FULL ROLLER ASSEMBLY (GR 1000)	1	
6	95-0930	FULL ROLLER ASSEMBLY (GR 1600)	1	
6	98-5917	ORDER 104-2640	1	
6	104-2640	FULL ROLLER ASSEMBLY (GR 800)	1	
6	104-2642	FULL ROLLER ASSEMBLY 21" (GR 1000)	1	
7	99-6239-01	SCRAPER - WIEHLE	1	
8	33-1000	SCRAPER BRUSH (GR 1000)	1	
10	8-2530	URETHANE COMB	1	
11	11-0070	SCRAPER COMB (GR 1000)	1	
*	3249-3	SCREW	11	
13	3296-9	NUT	11	
14	3219-1	NUT	4	
15	3254-8	LOCK WASHER	4	
16	98-7257	ROLLER SCRAPER - SMOOTH (GR 800)	1	
16	65-8360-01	ROLLER SCRAPER - SMOOTH (GR 1000)	1	



*Not illustrated. **See pages 18-34 for Kit contents.

Prices subject to change without notice. NOTE: Please see your Parts Catalog or Master Parts Viewer to ensure ordering the correct part; the part needed may not be listed. **Not sold separately.

Ref. No.	Part No.	Description	Qty.	Sale Price
1	93-8636	ELEMENT - AIR FILTER	1	
2	93-8637	PRE CLEANER - AIR FILTER	1	
*	30065**	Filter & Spark Plug MVP Kit	A/R	
3	94-6826	FILTER - FUEL	1	
4	95-1811	V-BELT - TRANSMISSION TO CLUTCH	1	
5	254-68	BEARING CONE	2	
6	254-67	BEARING CUP	2	
7	254-86	LOCKNUT	1	
8	254-87	LOCK WASHER	1	
9	253-120	SEAL	2	
10	4-2219	REEL	1	
11	5-1393	SHAFT - REEL	1	
12	253-83	CLUTCH SHAFT OIL SEAL	1	
	57-4910	ORDER 119-4151	6	
13	119-4151	BEDKNIFE SCREW	6	
14	88-8990	BEDKNIFE - HIGH TOURNAMENT-CUT	1	
14	88-9000	BEDKNIFE - LOW TOURNAMENT-CUT	1	
14	95-3147	BEDKNIFE - MICRO CUT	1	
15	5-1382	ROLLER ASSEMBLY	1	
16	3245-1	SCREW - SET	1	
17	3256-24	WASHER	6	
18	3254-6	LOCK WASHER	2	
19	3220-3	NUT	6	
20	3-1506	BUSHING PULL ARM	4	
21	94-2959	ORDER 99-1460	2	
21	99-1460	BALL JOINT RECEIVER ASSY.	2	
22	302-5	GREASE FITTING	4	

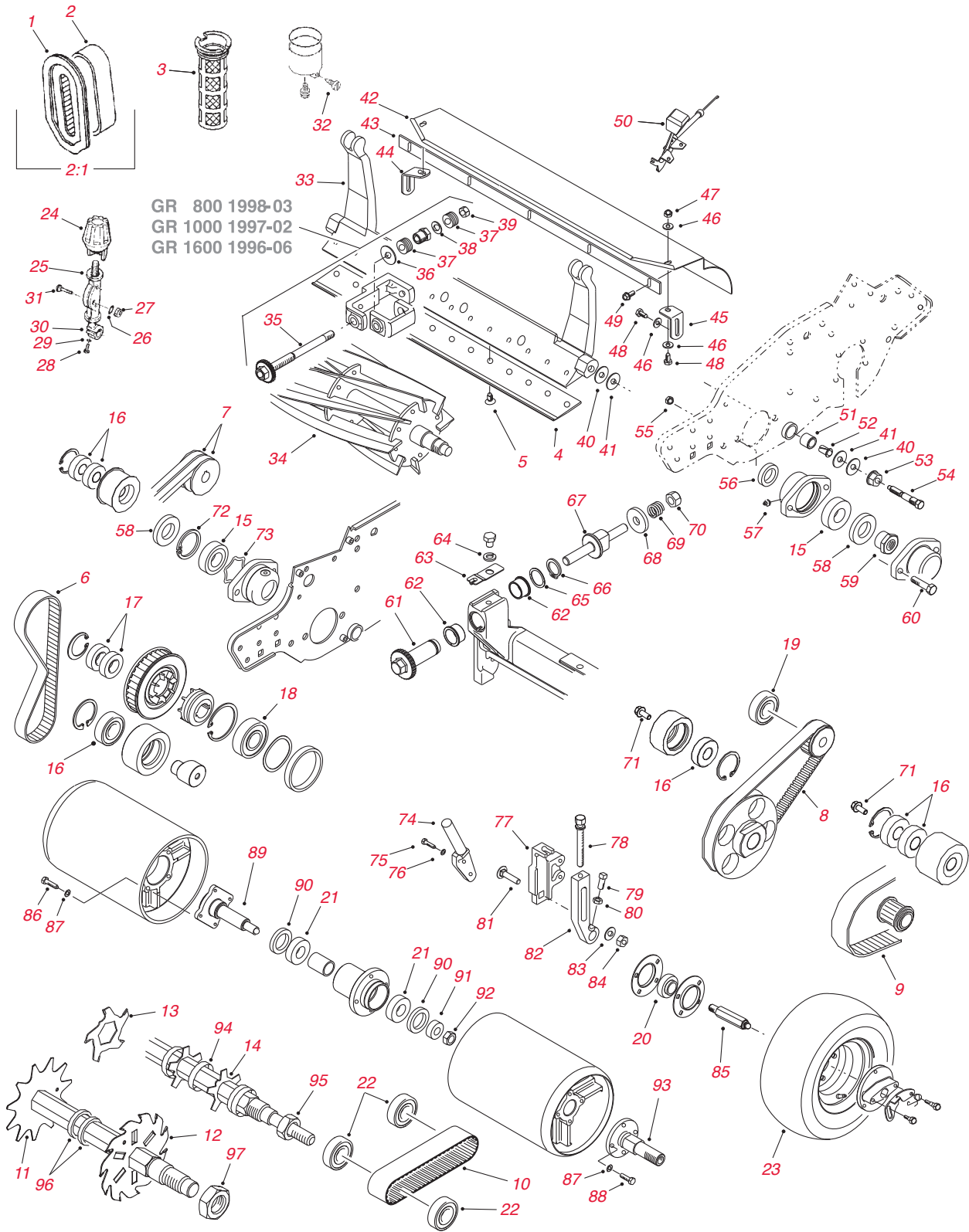


*Not illustrated. **See pages 18-34 for Kit contents.

Prices subject to change without notice. NOTE: Please see your Parts Catalog or Master Parts Viewer to ensure ordering the correct part; the part needed may not be listed. **Not sold separately.

WALK GREENMASTERS

GREENMASTER® 800 / 1000 / 1600 / 2000 / 2600



WALK GREENSMASERS
GREENSMASER® 800 / 1000 / 1600 / 2000 / 2600

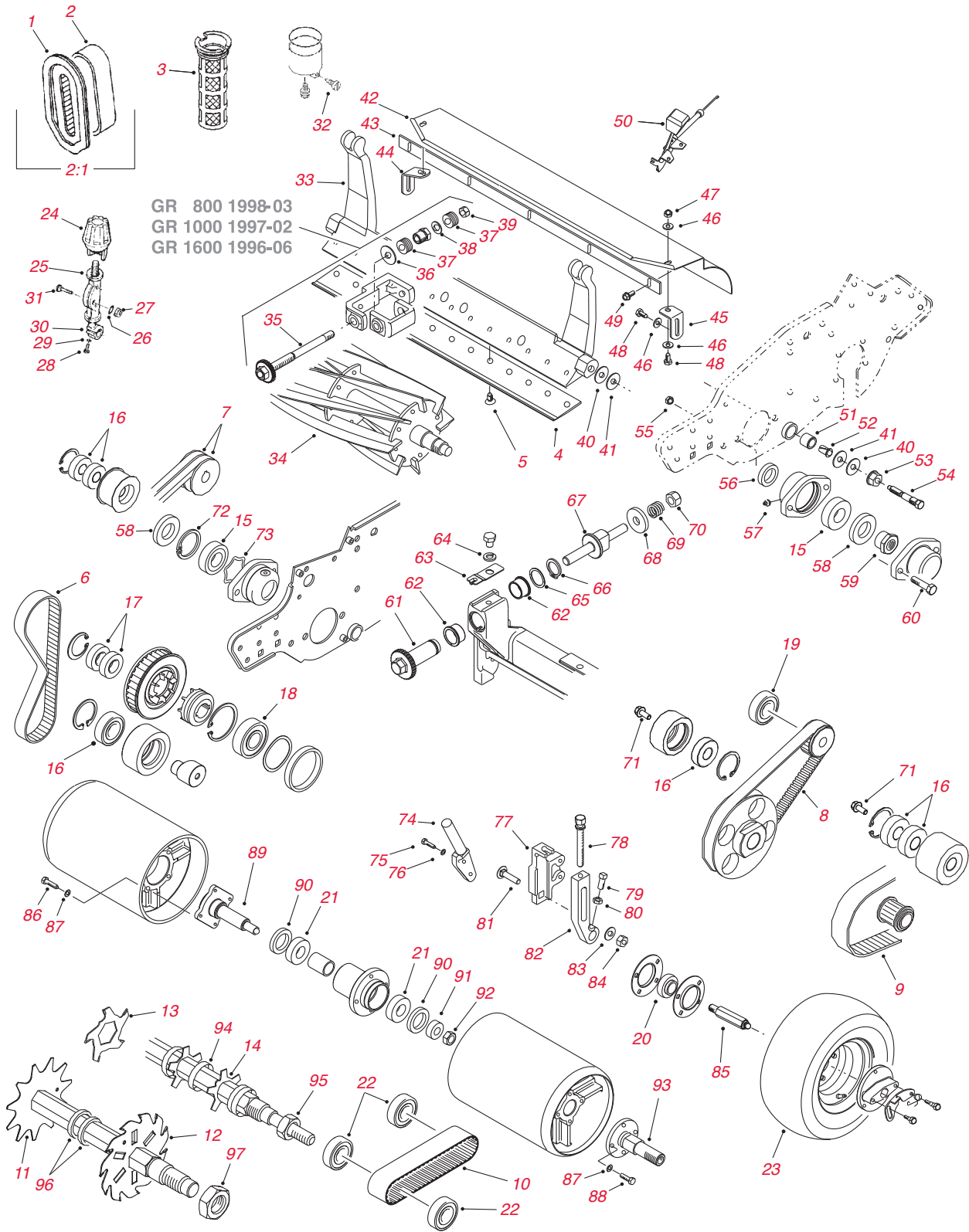
Ref. No.	Part No.	Description	Qty.	Sale Price
1	93-8636	ELEMENT - AIR (1995 - 2011)	1	
2	93-8637	PRE CLEANER - AIR (1995- 2011)	1	
*	30065**	Filter & Spark Plug MVP Kit (2004-2011)	A/R	
2:1	121-0618	ELEMENT SET (2012 & Up)	1	
*	121-0547	SPARK-PLUG (2012 & Up)	1	
*	30097**	Filter & Spark Plug MVP Kit (2012 & Up)	A/R	
3	94-6826	FILTER - FUEL SCREEN (GR 800/1000/1600 UP TO 2011)	1	
3	121-0685	FILTER - FUEL (GR 800/1000/1600 2012 & Up)	1	
3	93-8684	FILTER - FUEL SCREEN (GR 1000 1995-MID 1996)	1	
4	98-7260	BEDKNIFE - TOURNAMENT-CUT (GR 800)	1	
4	98-7261	BEDKNIFE - MICRO CUT (GR 800)	1	
4	93-4263	BEDKNIFE - TOURNAMENT-CUT (GR 1000/2000/1010)	1	
4	115-1881	BEDKNIFE - TOURNAMENT-CUT - EDGEMAX (GR 1000/2000/1010)	1	
4	63-8470	ORDER 93-4264	1	
4	93-4264	BEDKNIFE - LOW-CUT (GR1000/2000/1010)	1	
4	65-8250	ORDER 93-4262	1	
4	93-4262	BEDKNIFE - MICRO CUT (GR 1000/2000/1010)	1	
4	115-1880	BEDKNIFE - MICRO CUT - EDGEMAX (GR 1000/2000/1010)	1	
4	93-9015	BEDKNIFE - LOW-CUT (GR 1600/2600)	1	
4	94-5885	BEDKNIFE - TOURNAMENT-CUT (GR 1600/2600/1610)	1	
4	104-2646	BEDKNIFE - HIGH-CUT (GR1600/2600/1610)	1	
4	107-8181	BEDKNIFE - FAIRWAY-CUT (GR1600/2600/1610)	1	
4	112-9275	BEDKNIFE - MICRO CUT (GR1600/2600/1610)	1	
5	57-4910	ORDER 119-4151	13	
5	119-4151	BEDKNIFE SCREW	13	
6	65-6200	BELT - REEL DRIVE	1	
7	65-7270	V-BELT (SET OF 2) - COUNTERSHAFT (GR 1000 90-95)	1	
7	92-9218	V-BELT (SET OF 2) - COUNTERSHAFT (GR 800/1000 95 UP,1600)	1	
8	65-6210	BELT - DRUM DRIVE ASSEMBLY	1	
9	65-9080	BELT - INTER COUNTERSHAFT ASSEMBLY	1	
10	65-9700	BELT - GROOMER DRIVE (GR 800/1000/1600)	1	
11	17-1590	BLADE - DETHATCHER (STD)	35	
12	106-5422	BLADE - DETHATCHER (1MM-CARBIDE TIPPED)	35	
12	106-6355	BLADE - DETHATCHER (2MM-CARBIDE TIPPED)	35	
13	110-2393	BLADE GROOMER (CARBIDE TIPPED - 1998 & UP)	41	
14	70-1170	BLADE - GROOMER (1991-97)	41	
14	95-5719	BLADE - GROOMER (1998 & UP)	41	
15	251-342	BEARING - REEL	1	
16	38-7820	BEARING - BALL (IDLERS)	7	
17	251-336	BEARING - BALL	2	
18	251-318	BEARING - BALL	1	
19	251-338	BEARING - BALL	2	
20	251-337	BEARING - BALL (GR 1000 DRUM DRIVE SHAFT - 1990-92)	2	
20	88-7880	BEARING - BALL	2	
21	251-257	BEARING BALL (1990-99)	2	
21	251-82	BEARING - BALL (GR 2000 & UP)	2	
22	251-327	BEARING - BALL (GROOMER)	5	
23	65-7940	TIRE (12 X 3.25 - 6) 4-PLY TRANSPORT WHEEL KIT	2	
24	10-5040	ORDER 65-8600	2	
24	65-8600	KNOB - ADJUSTMENT (GR 1000)	2	
25	10-5060	BRACKET - H.O.C. (GR 1000)	2	
26	3256-23	WASHER	2	
27	3296-29	LOCKNUT	2	
28	321-4	SCREW - CAP HEX HD	2	
29	3253-3	LOCK WASHER	2	
30	65-9500	SCREW - ADJUSTMENT	2	
31	3230-5	BOLT	2	

*Not illustrated. **See pages 18-34 for Kit contents.

Prices subject to change without notice. NOTE: Please see your Parts Catalog or Master Parts Viewer to ensure ordering the correct part; the part needed may not be listed. **Not sold separately.

WALK GREENMASTERS

GREENMASTER® 800 / 1000 / 1600 / 2000 / 2600



WALK GREENSMASTERS

GREENSMASTER® 800 / 1000 / 1600 / 2000 / 2600

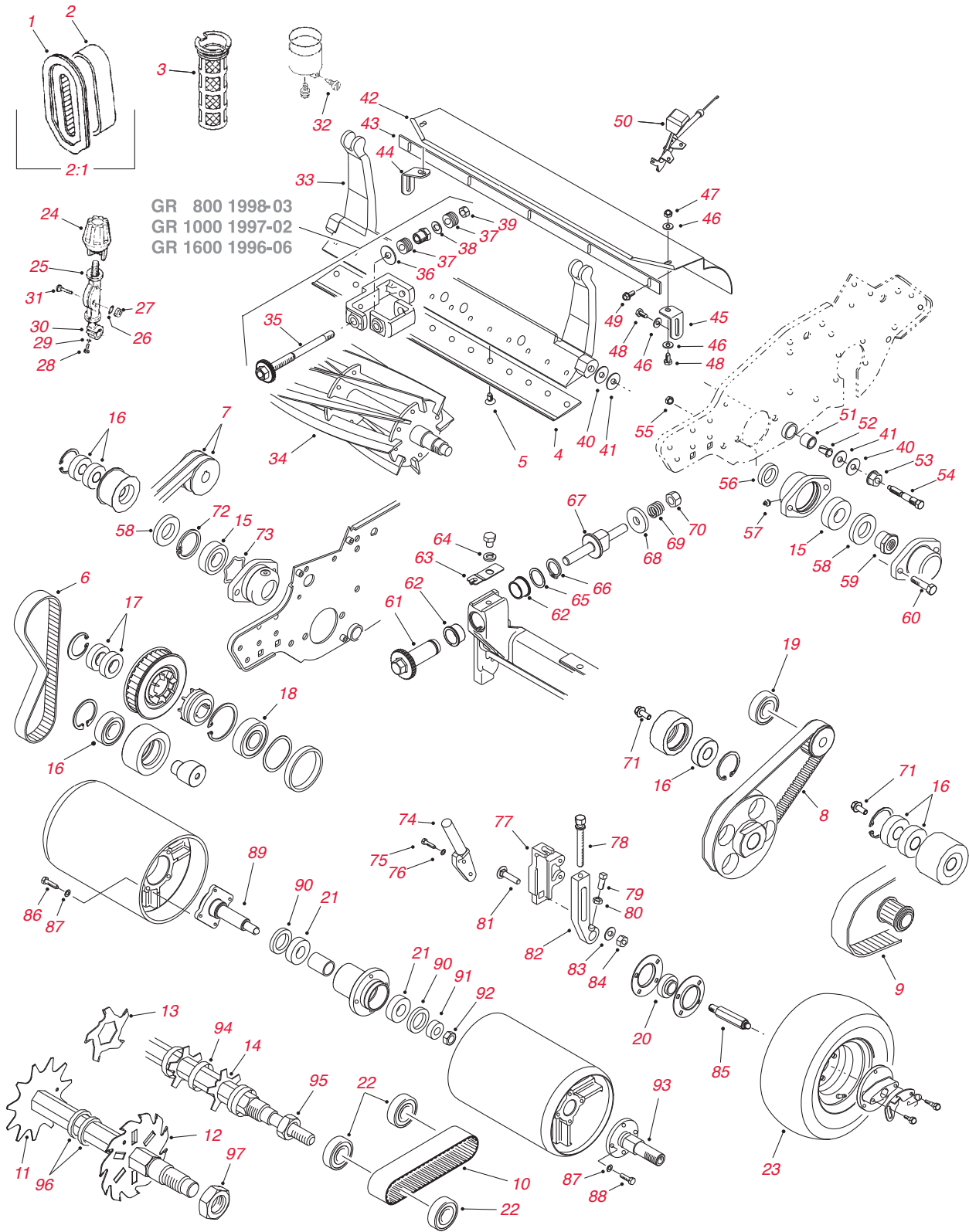
Ref. No.	Part No.	Description	Qty.	Sale Price
32	93-8626	SCREW - CARB BOWL (1995 & UP)	1	
33	93-6053-01	BEDBAR (GR 1000)	1	
33	93-9049-01	BEDBAR (GR 1600)	1	
	93-9029	ORDER 95-0900	1	
	98-5919	ORDER 127-2160		
34	127-2160	REEL - 11 BLADE (5" DIA - GR 800)	1	
34	132-7353	EDGESERIES REEL - 11 BLADE (5" DIA - GR 800 2012 & UP)	1	
34	132-7354	EDGESERIES REEL - 14 BLADE (5" DIA - GR 800 2012 & UP)	1	
	93-6087	ORDER 127-2181		
34	127-2181	REEL - 8 BLADE (5" DIA - GR 1000/2000)	1	
34	132-7312	EDGESERIES REEL - 8 BLADE (5" DIA - GR 1000/1010/2000 2012 & UP)	1	
	93-6097	ORDER 127-2182		
34	127-2182	REEL - 11 BLADE (5" DIA - GR 1000/2000)	1	
34	132-7313	EDGESERIES REEL - 11 BLADE (5" DIA - GR 1000/1010/2000 2012 & UP)	1	
	117-1449	ORDER 127-2183	1	
34	127-2183	REEL - 14 BLADE (5" DIA - GR 1000/2000)	1	
34	132-7314	EDGESERIES REEL -14 BLADE (5" DIA - GR 1000/1010/2000 2012 & UP)	1	
	95-0900	ORDER 127-2206		
34	127-2206	REEL - 8 BLADE (5" DIA - GR 1600/2600)	1	
34	132-7361	EDGESERIES REEL- 8 BLADE (5" DIA - GR 1600/1610/2600 2012 & UP)	1	
	112-9276	ORDER 127-2207	1	
34	127-2207	REEL - 11 BLADE (5" DIA - GR 1600/2600)	1	
34	132-7362	EDGESERIES REEL - 11 BLADE (5" DIA - GR 1600/1610/2600 2012 & UP)	1	
35	94-5873	KNOB - ADJUSTMENT	2	
36	94-5859	WASHER - HARDENED	2	
37	93-9043	WASHER - BELLEVILLE	32	
38	94-5858	WASHER	2	
39	3296-48	NUT - HEX	2	
40	52-2860	WASHER	4	
41	52-2900	WASHER	4	
42	98-5918	GRASS SHIELD (GR 800)	1	
42	93-6069	GRASS SHIELD (GR 1000)	1	
42	112-9471	GRASS SHIELD (GR 2000)	1	
42	110-7370	GRASS SHIELD (GR 2600)	1	
43	36-7260	CUTOFF BAR (GR 1000/2000)	1	
43	94-5879	CUTOFF BAR (GR 1600/2600)	1	
43	98-5933	CUTOFF BAR (GR 800)	1	
44	65-6460	BRACKET - RH	1	
45	65-6450	BRACKET - LH	1	
46	3256-22	WASHER	6	
47	3296-42	NUT - LOCK	2	
48	321-3	SCREW - CAP HEX HD	4	
49	32144-73	ORDER 104-2065	5	
49	104-2065	SCREW - SELF TAPPING	5	
50	65-7800	THROTTLE (GR 1000)	1	
51	63-9510	RUBBER BUSHING	2	
52	52-2890	BUSHING	2	
53	107-9045	ORDER 32128-48	2	
53	32128-48	NUT - HEX	2	
	65-6270	ORDER 119-4050		
54	119-4050	BOLT - BEDBAR	2	
55	3296-39	SCREW - CAP HEX HD	2	
56	253-96	SEAL - INNER	1	
57	302-5	GREASE FITTING	1	
58	253-163	SEAL - OUTER	1	
59	92-7302	NUT - BEARING LOCK	1	

*Not illustrated. **See pages 18-34 for Kit contents.

Prices subject to change without notice. NOTE: Please see your Parts Catalog or Master Parts Viewer to ensure ordering the correct part; the part needed may not be listed. **Not sold separately.

WALK GREENMASTERS

GREENMASTER® 800 / 1000 / 1600 / 2000 / 2600



WALK GREENMASTERS

GREENMASTER® 800 / 1000 / 1600 / 2000 / 2600

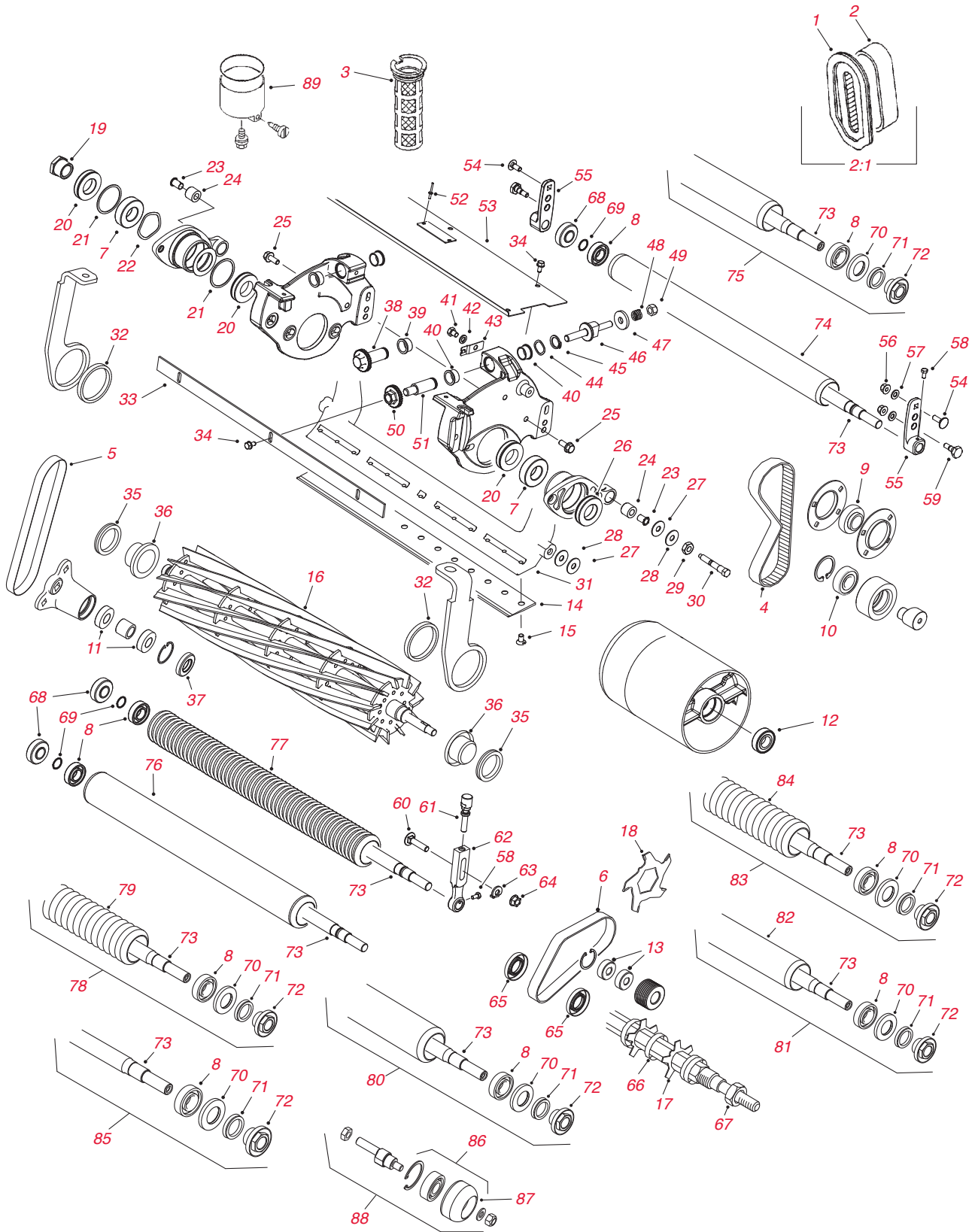
Ref. No.	Part No.	Description	Qty.	Sale Price
60	323-7	SCREW - CAP HEX HD	2	
61	106-5363	ADJUSTER (2004 & UP)	2	
62	106-5344	BUSHING - KEYED FLANGE	2	
63	99-2097	DETENT	2	
64	3253-4	WASHER - LOCK	2	
65	106-5335	ORDER 119-4146	2	
65	119-4146	WASHER - WAVE	2	
66	32120-93	RING - RETAINING	2	
67	99-2096	SCREW - BEDBAR ADJUSTER	2	
68	99-2098	WASHER	2	
69	99-3755	ORDER 119-4156	2	
69	119-4156	SPRING - COMPRESSION	2	
70	33025-00	NUT - LOCK	2	
71	3234-14	SCREW - HEX FLANGE HD	1	
72	32151-92	RING - RETAINING	2	
73	3290-485	WASHER - WAVE	1	
74	65-7250	ORDER 65-8570	2	
74	65-8570	MOUNT - GRASS BASKET (GR 800/1000/2000/2600)	2	
74	93-9018	ROD - BASKET LH (GR 1600 ONLY)	1	
74	93-9017	ROD - BASKET RH (GR 1600 ONLY)	1	
75	322-2	SCREW - CAP HEX HD	4	
76	3255-8	WASHER - LOCK	4	
77	93-6049	BRACKET - HOC LH	1	
*	93-6048	BRACKET - HOC RH	1	
78	93-6051	SCREW - HOC	2	
79	3242-4	SCREW - SQH	2	
80	3218-2	NUT - HEX	2	
81	3231-5	SCREW - CARRIAGE	4	
82	93-6090	ARM - HOC	2	
83	3256-24	WASHER - FLAT	4	
84	32128-21	NUT - FLANGE LOCK	2	
85	88-7580	SHAFT - TRANSPORT LH	1	
*	88-7590	SHAFT - TRANSPORT RH	1	
86	322-9	SCREW - CAP HEX HD	8	
87	3253-4	WASHER - LOCK	16	
88	322-5	SCREW - CAP HEX HD	8	
89	94-5850	SPINDLE - DRUM	1	
90	253-159	SEAL	2	
91	65-6530	SPACER - SEAL	1	
92	3296-33	NUT - LOCK	1	
*	119-4108-03	ORDER 132-3842		
*	132-3842	SHAFT - DRUM LH	1	
*	132-3841	SHAFT - DRUM RH	1	
*	117-1408	DRUM (GRN 1000/1010)		
94	70-1350	SPACER (GROOMER REEL)	84	
95	3296-60	NUT - LOCK (GROOMER REEL)	2	
96	17-1600	SPACER (DETHATCHER REEL)	70	
97	3220-18	NUT - LOCK (DETHATCHER REEL)	2	

*Not illustrated. **See pages 18-34 for Kit contents.

Prices subject to change without notice. NOTE: Please see your Parts Catalog or Master Parts Viewer to ensure ordering the correct part; the part needed may not be listed. **Not sold separately.

WALK GREENMASTERS

GREENMASTER® FLEX 1800 / 2100 (18 / 21) AND eFLEX 1800 / 2100



Greensmaster Flex 1800 / 2100 (18 / 21) and eFlex 1800 / 2100

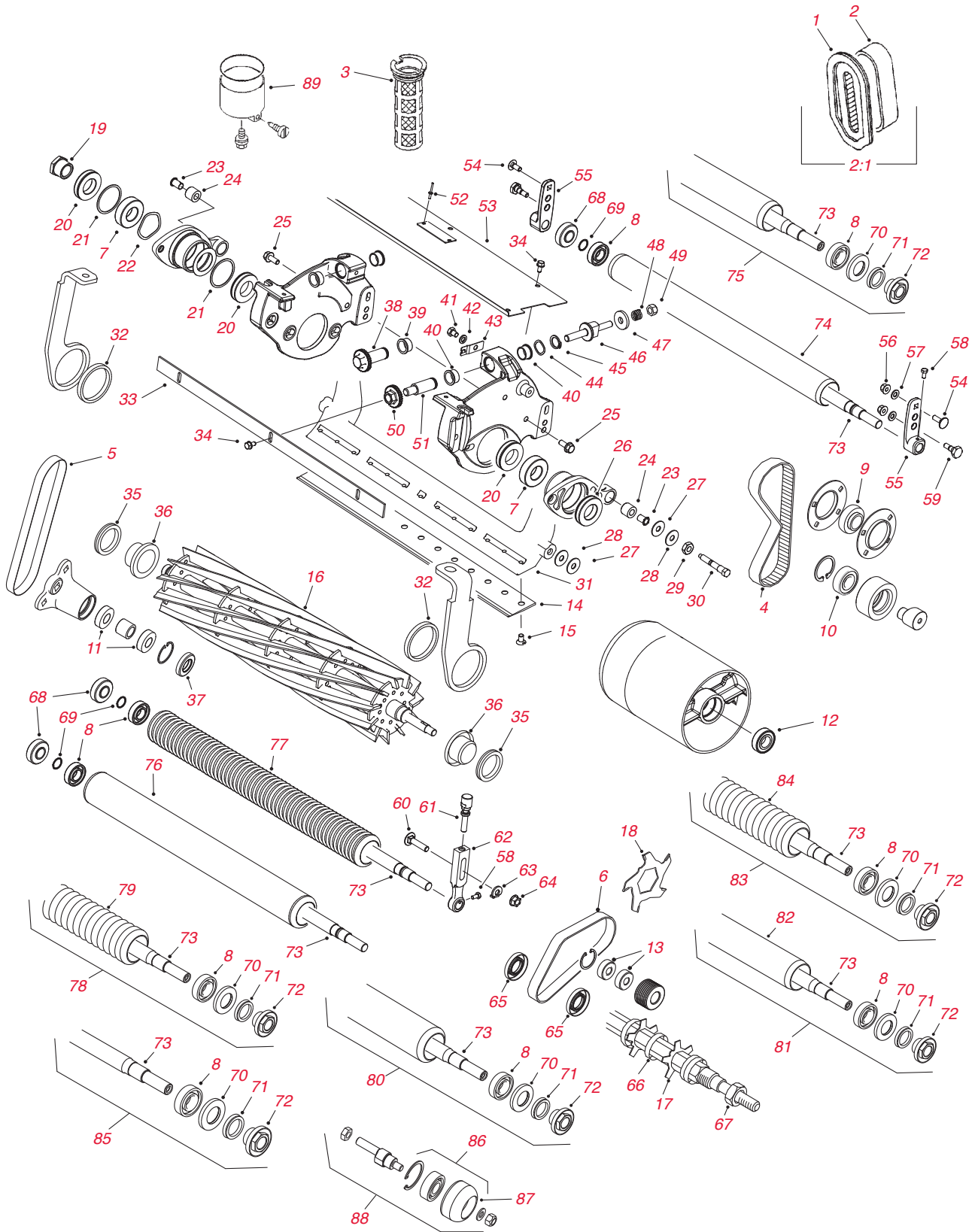
Ref. No.	Part No.	Description	Qty.	Sale Price
1	93-8636	ELEMENT - AIR FILTER	1	
2	93-8637	PRECLEANER - AIR FILTER	1	
2:1	121-0618	ELEMENT SET (2012 & Up)	1	
*	30065**	Filter MVP Kit (Up to 2011)	A/R	
*	30097**	Filter MVP Kit (2012 & Up)	A/R	
3	94-6826	FUEL FILTER - TANK SCREEN (UP TO 2011)	1	
4	99-2023	BELT - DRUM DRIVE (2001-05)	1	
4	107-8175	ORDER 117-1353	1	
4	117-1353	BELT - DRUM DRIVE (2006 & UP)	1	
4	115-6744	BELT - DRUM DRIVE	1	
5	99-2022	BELT - REEL DRIVE	1	
6	104-4705	ORDER 120-2763	1	
6	120-2763	BELT - GROOMER DRIVE	1	
7	251-342	BEARING - BALL	2	
8	251-347	BEARING - ROLLER	4	
9	104-0538	BEARING - DRUM DRIVE (FLEX 21 - 2001-04)	2	
9	106-8448	BEARING - DRUM DRIVE (FLEX 21 - 2005 & UP)	2	
10	38-7820	BEARING - BALL (IDLER)	2	
11	251-336	BEARING - BALL	2	
12	251-82	BEARING - BALL	2	
13	251-259	BEARING - BALL (GROOMER IDLER)	2	
*	106-2630	IDLER BREAKING ASM	1	
14	98-7261	BEDKNIFE - MICRO CUT (FLEX 18)	1	
14	117-1530	BEDKNIFE - MICRO CUT - EDGEMAX (FLEX 18)	1	
14	110-2300	BEDKNIFE - MICRO CUT EXTENDED (FLEX 18)	1	
14	98-7260	BEDKNIFE - TOURNAMENT-CUT (FLEX 18)	1	
14	117-1532	BEDKNIFE - TOURNAMENT-CUT - EDGEMAX (FLEX 18)	1	
14	110-2301	BEDKNIFE - LOW-CUT (FLEX 18)	1	
14	93-4262	BEDKNIFE - MICRO CUT (FLEX 21)	1	
14	115-1880	BEDKNIFE - MICRO CUT - EDGEMAX (FLEX 21)	1	
14	93-4263	BEDKNIFE - TOURNAMENT-CUT (FLEX 21)	1	
14	115-1881	BEDKNIFE - TOURNAMENT-CUT - EDGEMAX (FLEX 21)	1	
14	93-4264	BEDKNIFE - LOW-CUT (FLEX 21)	1	
14	104-7720	ORDER 108-4303	1	
14	108-4303	BEDKNIFE - MICROCUT EXTENDED 21"	1	
14	108-4302	BEDKNIFE - EXTENDED TOURNAMENT CUT 21"	1	
15	57-4910	ORDER 119-4151	13	
15	119-4151	SCREW - BEDKNIFE	13	
	115-8255	ORDER 127-2157		
16	127-2157	REEL - 14 BLADE (FLEX 18)		
16	132-7357	EDGESERIES REEL - 11 BLADE (5" DIA - GR FLEX/eFLEX 1800/1820 2012 & UP)	1	
16	132-7358	EDGESERIES REEL - 14 BLADE (5"DIA - GR FLEX/eFLEX 1800/1820 2012 & UP)	1	
	115-4289	ORDER 127-2177	1	
16	127-2177	REEL - 14 BLADE (5" DIA - GR FLEX 21 2004 & UP)	1	
16	132-7342	EDGESERIES REEL 14 BLADE (5" DIA - GR FLEX/eFLEX 2120/2000 2012 & UP)	1	
	110-2310	ORDER 127-2156	1	
16	127-2156	REEL - 11 BLADE (5" DIA - GR FLEX 18)	1	
	104-0500	ORDER 107-7635	1	
	107-7635	ORDER 127-2176		
16	127-2176	REEL - 11 BLADE (5" DIA - GR FLEX 21)	1	
16	132-7341	EDGESERIES REEL 11 BLADE (5" DIA - GR FLEX/eFLEX 2120/2000 2012 & UP)	1	
	105-2400	ORDER 127-2175		
16	127-2175	REEL - 8 BLADE (GR FLEX 21 2001-03)	1	
	107-7634	ORDER 127-2174		
16	127-2174	REEL - 8 BLADE (5" DIA - GR FLEX 21 2004 & UP)	1	
16	132-7340	EDGESERIES REEL 8 BLADE (5" DIA - GR FLEX/eFLEX 2120/2000 2012 & UP)	1	
	119-4101	ORDER 127-2164		
16	127-2164	REEL ASM - 11 BLADE 18" (5" DIA - GR FLEX/EFLEX 1800)	1	
	119-4102	ORDER 127-2165		
16	127-2165	REEL ASM - 14 BLADE 18" (5" DIA - GR FLEX/EFLEX 1800)	1	
	119-4103	ORDER 127-2200		
16	127-2200	REEL ASM - 8 BLADE 21" (5" DIA - GR FLEX/EFLEX 2100)	1	
	119-4104	ORDER 127-2201		
16	127-2201	REEL ASM - 14 BLADE 21" (5" DIA - GR FLEX/EFLEX 2100)	1	

*Not illustrated. **See pages 18-34 for Kit contents.

Prices subject to change without notice. NOTE: Please see your Parts Catalog or Master Parts Viewer to ensure ordering the correct part; the part needed may not be listed. **Not sold separately.

WALK GREENMASTERS

GREENMASTER® FLEX 1800 / 2100 (18 / 21) AND eFLEX 1800 / 2100



Greensmaster Flex 1800 / 2100 (18 / 21) and eFlex 1800 / 2100 - continued

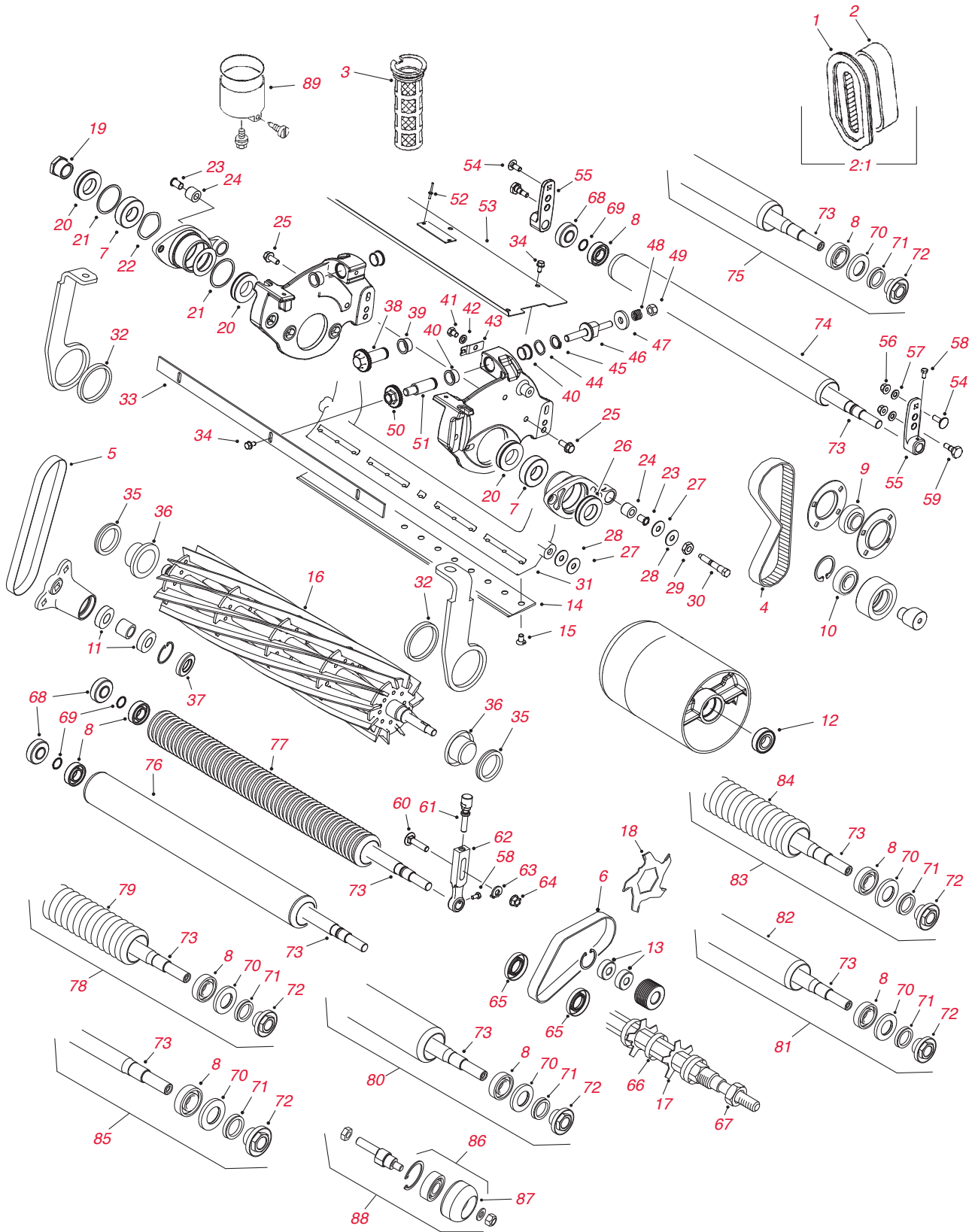
Ref. No.	Part No.	Description	Qty.	Sale Price
16	119-4105	ORDER 127-2202	1	
16	127-2202	REEL ASM - 11 BLADE 21" (5" DIA - GR FLEX/EFLEX 2100)	1	
*	130-0105**	Reel Overhaul MVP Kit (2004 - 2011)	A/R	
17	95-5719	BLADE - GROOMER (HEX SHAFT)	41	
18	110-2393	BLADE - GROOMER (CARBIDE TIPPED - HEX SHAFT)	41	
19	99-3767	NUT - BEARING LOCK (2001-04)	1	
19	107-3227	NUT - BEARING LOCK (2004 & UP)	1	
20	99-3801	SEAL - REEL (BLACK - 2001-04)	4	
20	107-3233	SEAL - REEL (2004 & UP)	4	
21	32151-92	RING - RETAINING	2	
22	3290-485	WASHER - WAVE	1	
23	52-2890	BUSHING - NYLON	2	
24	63-9510	BUSHING	2	
25	33104-020	BOLT - HEX FLANGE	4	
26	105-9945	SEAL - REEL (BLUE - 2001-04)	4	
27	52-2860	WASHER	4	
28	52-2900	WASHER	4	
29	3220-26	NUT - JAM (FLEX 21 2001-04)	2	
29	107-9045	ORDER 32128-48	2	
29	32128-48	NUT - JAM (FLEX 21 2004 & UP)	2	
	65-6270	ORDER 119-4050		
30	119-4050	BOLT - BEDBAR	2	
31	99-3794-03	BEDBAR	1	
32	99-2047	BUSHING (2001-03)	2	
33	104-2602-03	BAR - CUTOFF (FLEX 21 2001-02)	1	
	106-6924-03	ORDER 115-3303-03		
33	115-3303-03	BAR - CUTOFF (FLEX 21 2002 & UP)	1	
34	104-2628	SCREW - HEX WASHER HD	8	
35	107-3238	V-RING	2	
36	108-3150	SLEEVE	2	
37	253-120	SEAL (FLEX 21 - 2001-2004)	2	
38	106-5363	ADJUSTER (2004 & UP)	2	
39	106-5344	BUSHING - KEYED FLANGE (FLEX 21 CU 04202 & FLEX 18)	2	
40	256-252	BUSHING - FLANGE (FLEX 21 CU 04200)	2	
41	33114-010	BOLT - HEX HD	2	
42	3253-4	WASHER - LOCK	2	
43	99-2097	DETENT - ADJUST	2	
44	95-3703	WASHER - WAVE (2001-04)	2	
44	106-5335	ORDER 119-4164	2	
44	119-4164	WASHER - WAVE (2004 & UP)	2	
45	32120-93	RING - RETAINING	2	
46	99-2096	SCREW - ADJUST	2	
47	99-2098	WASHER - ADJUST	2	
48	99-3755	ORDER 119-4156	2	
48	119-4156	SPRING - ADJUST	2	
49	33025-00	NUT - HEX	2	
50	93-2549	NUT - ADJUST (2001-03)	2	
51	99-2093	SHAFT - ADJUSTER (2001-2003)	2	
52	3290-271	RIVET - POP	2	
53	104-2632	GRASS SHIELD ASSEMBLY	1	
54	33124-025	BOLT - CARRIAGE	2	
55	99-3792	BRACKET - REAR ROLLER	2	
56	104-2612	NUT - HEX	4	
57	3256-23	WASHER - FLAT	4	
58	33113-012	SCREW - HEX HD	4	
59	95-1618	ORDER 105-3834	1	

*Not illustrated. **See pages 18-34 for Kit contents.

Prices subject to change without notice. NOTE: Please see your Parts Catalog or Master Parts Viewer to ensure ordering the correct part; the part needed may not be listed. **Not sold separately.

WALK GREENMASTERS

GREENMASTER® FLEX 1800 / 2100 (18 / 21) AND eFLEX 1800 / 2100



Greensmaster Flex 1800 / 2100 (18 / 21) and eFlex 1800 / 2100 - continued

Ref. No.	Part No.	Description	Qty.	Sale Price
59	105-3834	BOLT - SHOULDER	1	
60	33125-045	BOLT - CARRIAGE (2001)	2	
60	105-5342	BOLT - CARRIAGE (2002 & UP)	2	
61	99-3782	SCREW - HOC (2001-02)	2	
62	99-3781	ORDER 110-7351	2	
62	110-7351	BRACKET - FRONT HOC (FLEX 21 2001-04)	2	
62	107-3502	ORDER 110-7350	2	
*	120-9600	HIGH HDC KIT	1	
62	110-7350	BRACKET KIT (INCL #58 & 60) (FLEX 21 2004 & UP)	1	
63	104-2603	ORDER 119-4158	2	
*	119-4158	WASHER - HOC BRACKET	2	
64	104-2611	NUT - HEX (2001-03)	2	
64	106-4668	NUT - LOCK (2003 & UP)	2	
65	106-8530	SEAL (GROOMER SHAFT)	2	
66	70-1350	SPACER - GROOMER	84	
67	3296-60	NUT - GROOMER	2	
68	99-3842	SEAL - ROLLER	4	
69	104-4212	RING - SPIRAL RETAINING (2001)	4	
69	32120-15	RING - RETAINING (2002-2004)	4	
70	106-6941	SEAL	2	
71	106-6942	V-RING	2	
72	108-3151	NUT - BEARING LOCK	2	
	104-2606	ORDER 106-6940	2	
	106-6940	ORDER 119-4090	2	
73	119-4090	SHAFT - ROLLER (FLEX 21)	2	
74	99-3840	ORDER 115-7356	1	
	107-9036	ORDER 115-7356	1	
75	115-7356	FULL REAR ROLLER ASSEMBLY (FLEX 21)	1	
*	107-1594**	Roller Rebuild MVP Kit	A/R	
76	104-9796	ORDER 017-9039	1	
77	106-6948	ORDER 115-7386	1	
78	107-9038	ORDER 115-7386	1	
78	115-7386	WIEHLE ROLLER ASSEMBLY-WIDE SPACING (FLEX 21)		
77	104-9795	ORDER 115-7360	1	
78	107-9037	ORDER 115-7360		
78	115-7360	WIEHLE ROLLER ASSEMBLY-NARROW SPACING (FLEX 21)	1	
79	104-0540	WIEHLE ROLLER TUBE (NARROW SPACING)	1	
80	115-7380	FULL FRONT ROLLER ASSEMBLY (FLEX 21)	1	
81	120-9605	2" FULL ROLLER ASSEMBLY (FLEX 18)	1	
	110-2306	ORDER - 120-9611		
81	120-9611	2.5" FULL ROLLER ASSEMBLY (FLEX 18)	1	
82	110-2220	TUBE - 2" FULL ROLLER (FLEX 18)	1	
82	120-9613	TUBE - 2.5" FULL ROLLER (FLEX 18)	1	
83	120-9607	WIEHLE ROLLER ASSEMBLY - NARROW SPACING (FLEX 18)	1	
	110-2305	ORDER - 120-9609		
83	120-9609	WIEHLE ROLLER ASSEMBLY - WIDE SPACING (FLEX 18)	1	
84	110-2221	TUBE - WIEHLE NARROW SPACING (FLEX 18)	1	
84	110-2227	TUBE - WIEHLE WIDE SPACING (FLEX 18)	1	
85	108-8625	ROLLER SHAFT REPLACEMENT KIT (FLEX 21)	1	
86	108-4339	AUXILIARY ROLLER ASSEMBLY	2	
87	108-4334	ROLLER - AUXILIARY	2	
88	115-7361	AUXILIARY ROLLER KIT	1	
89	93-8626	SCREW - CARB BOWL	1	
*	130-9410	COUPLING-FLEX, 2 BEAM (2015)	1	
*	131-3185	CABLE-THROTTLE	1	
*	106-8535	RH LIFT ARM ASM, GROOMER ARM ASM	1	

*Not illustrated. **See pages 18-34 for Kit contents.

Prices subject to change without notice. NOTE: Please see your Parts Catalog or Master Parts Viewer to ensure ordering the correct part; the part needed may not be listed. **Not sold separately.

RIDING GREENSMASTERS

GREENMASTER® 3000 / 3100 SERIES

Traction Unit Parts

Part No.	Description	Qty.	Sale Price
FILTERS			
67-4330	ORDER 108-3841	1	
108-3841	FILTER - ENGINE OIL (3000D)	1	
492932S	ORDER 107-7817	1	
107-7817	FILTER - ENGINE OIL (3050/3100/3150)	1	
27-7110	ORDER 108-3833	1	
108-3833	ELEMENT - AIR CLEANER (GR 3000D)	1	
92-0527	AIR FILTER CARTRIDGE (GR 3050/3100/3150)	1	
43-2550	FILTER - FUEL PUMP (DIESEL)	1	
99-9403	ORDER 108-3831	1	
108-3831	FILTER - INLINE FUEL (300/3000)	1	
92-0530	FILTER - ELEMENT (3100)	1	
83-1320	ORDER 94-2690	1	
94-2690	GAS FILTER (3050, 3100, 3150)	1	
63-8300	FILTER - WATER SEPARATOR (DIESEL)	1	
107-9531	HYDRAULIC FILTER (GR 3150)	1	
28-2110	ORDER 74-3570	1	
68-9880	ORDER 74-3570	1	
74-3570	HYDRAULIC FILTER (300, 3000, 3000D, 3050, 3100)	1	
30064**	400 Hour Filter MVP Kit (GR 3150D)	A/R	
30016**	400 Hour Filter MVP Kit (GR 3100D - 1999-07)	A/R	
30053**	400 Hour Filter MVP Kit (GR 3100D - 2008 & Up)	A/R	
131-8785**	800 Hour Standard Filter MVP Kit (GR 3150)	A/R	
BELTS			
67-4410	V-BELT - ALTERNATOR/WATER PUMP (GR 3000D 1989-96)	1	
TIRES/DRIVE SYSTEM			
231-64	ORDER 28-3680	3	
28-3680	TIRE - FRONT & REAR (18 X 9.5 - 8) 2-PLY TRACTION	3	
231-127	ORDER 119-3516	3	
119-3516	TIRE - FRONT & REAR (18 X 8.5 - 8) 4-PLY TRACTION	3	
70-8500	TIRE - FRONT & REAR (19 X 10.5 - 8) 2-PLY TRACTION (3000D)	3	
70-9870	PLATE-BACKING	1	
107-2553	ROD END ASM	1	
104-2035	SENSOR, BRAKE PEDAL ASM (GR3050/3100/3150)	1	
105-5430	ROD-CONNECTING, TRACTION PEDAL ASM		
BEARINGS			
251-259	BEARING - BALL (NEUTRAL ARM - GR 3150)	1	
251-352	BEARING	1	
254-70	ORDER 115-9472	2	
115-9472	CONE - BEARING (3000D/3100)	2	
254-69	ORDER 115-9471	2	
254-61	ORDER 115-9471	2	
115-9471	CUP - BEARING (3000D/3100)	2	
254-78	BEARING CONE	2	
254-79	BEARING CUP	2	
STARTER & ALTERNATOR			
112-1350	STARTER (3000D)	1	
67-4630	ALTERNATOR (3000D)	1	
105-4320	SWITCH (GR 3150)	1	
112-0278	SWITCH (GR 3150)	1	
105-5444	CABLE-LOCK NEUTRAL	1	
92-2538	MODULE-TIMER, FRAME & BATTERY ASM (GR 3100/3150)	1	

*Not illustrated. **See pages 18-34 for Kit contents.

Prices subject to change without notice. NOTE: Please see your Parts Catalog or Master Parts Viewer to ensure ordering the correct part; the part needed may not be listed. **Not sold separately.

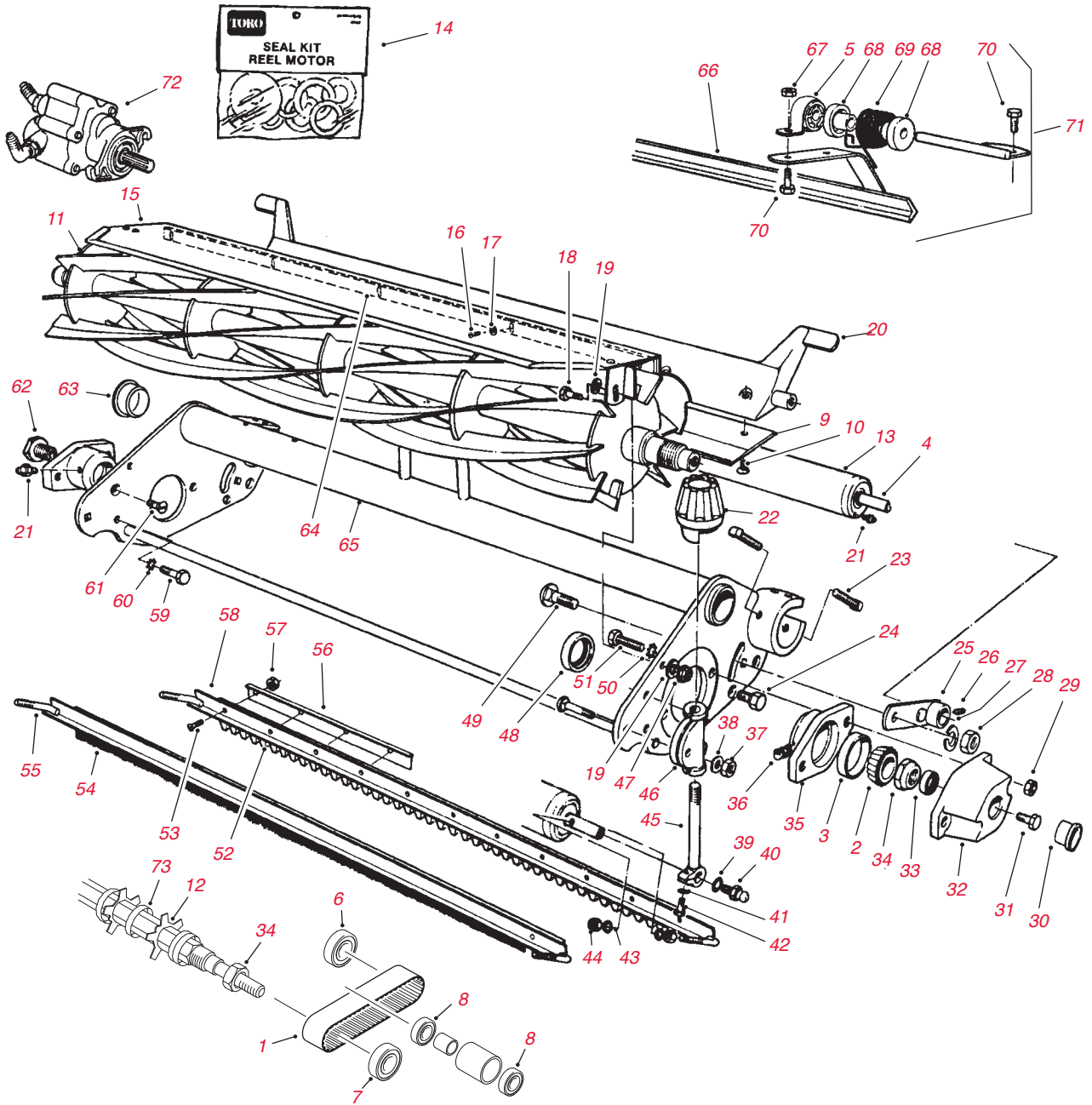
Traction Unit Parts - continued

	Part No.	Description	Qty.	Sale Price
<i>HYDRAULIC MOTOR</i>				
	105-0494	HYDROSTAT ASM	1	
	112-0289	MANIFOLD ASM (W/BACKFLAP)	1	
	105-5404	HOSE ASM	1	
	107-2567	GEAR PUMP ASM (GR 3100 2004-2010)	1	
	121-9519	GEAR PUMP SERVICE KIT (GR 3150D)	1	
	115-3273	REPLACEMENT STEERING CYLINDER KIT (GR 3100D)	1	
	120-5341	ACTUATOR REPLACEMENT KIT (GR 3150)	1	
	125-1984	SPACER, HYDRAULIC TRACTION ASM (GR 3150)	1	
	112-9170	SEAL KIT, HYDRAULIC CYLINDER (GR 3100/3150)	A/R	
<i>SEAT</i>				
	104-4620	SEAT (STD)	1	
	51-0780	SLIDER-SEAT	1	
	51-0790	ADJUSTER-SEAT, LH	1	
	105-0464-03	PLATE-SEAT (GR 3150)	1	

*Not illustrated. **See pages 18-34 for Kit contents.

Prices subject to change without notice. NOTE: Please see your Parts Catalog or Master Parts Viewer to ensure ordering the correct part; the part needed may not be listed. **Not sold separately.

RIDING GREENSMASTERS
GREENMASTER® 300 / 3000 STYLE



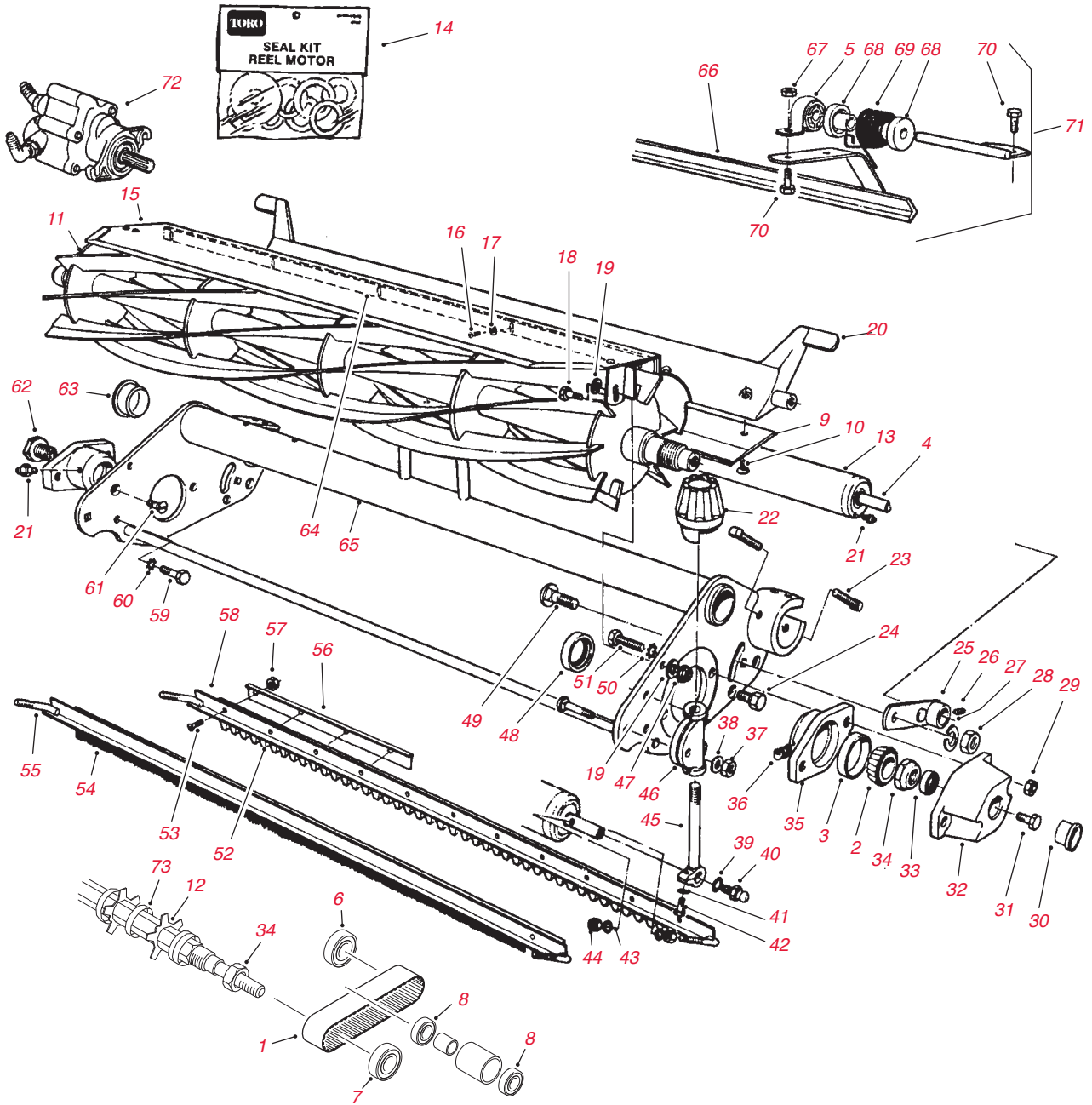
4-Bolt Adjust Cutting Unit Parts

Ref. No.	Part No.	Description	Qty.	Sale Price
1	65-9700	BELT - GROOMER DRIVE	1	
2	254-94	BEARING CONE	2	
3	254-72	BEARING CUP	2	
4	21-8430	ORDER 52-3180	2	
4	52-3180	BEARING	2	
5	256-239	BEARING	2	
6	251-327	BEARING - BALL (GROOMER DRIVE CLUTCH)	1	
7	251-327	BEARING - BALL (GROOMER SHAFT)	3	
8	251-328	BEARING - BALL (GROOMER IDLER)	2	
9	63-8610	BEDKNIFE - FAIRWAY-CUT	1	
9	112-7475	BEDKNIFE FAIRWAY-CUT - EDGEMAX	1	
9	94-6394	BEDKNIFE - TOURNAMENT-CUT	1	
9	94-6395	BEDKNIFE - LOW-CUT	1	
9	94-6396	BEDKNIFE - HIGH-CUT	1	
	57-4910	ORDER 119-4151	7	
10	119-4151	BEDKNIFE SCREW	7	
	12-2789	ORDER 130-6470		
11	130-6470	REEL - 11 BLADE (5" DIA - GR 3000/3100/3000D)	1	
	12-3599	ORDER 130-6469		
11	130-6469	REEL - 8 BLADE (5" DIA - GR 3000/3100/3000D)	1	
	14-0649	ORDER - 130-0093		
11	130-0093	REEL - 8 BLADE HD (5" DIA - GR 3000/3100/3000D)	1	
	14-0659	ORDER 130-0088		
11	130-0088	REEL - 5 BLADE HD (5" DIA - GR 3000/3100/3100D)	1	
*	13-3659**	Cutting Unit Overhaul MVP Kit (1985-01)	A/R	
*	107-1590**	Reel Overhaul MVP Kit (1985-01)	A/R	
*	107-1598**	Reel Overhaul MVP Kit (2002 & UP)	A/R	
12	70-1170	BLADE - GROOMER (89 & UP)	41	
13	21-8450	REAR FULL ROLLER ASSEMBLY	1	
*	107-1588**	Swaged & Full Roller Rebuild MVP Kit	A/R	
14	72-4380	ORDER 92-8863	1	
14	75-1270	ORDER 92-8863	1	
14	92-8863	SEAL KIT	1	
14	106-6362	SEAL KIT (FOR REEL MOTOR 105-9770)	1	
15	36-7190	GRASS SHIELD (79 & NEWER)	1	
16	32144-73	ORDER 104-2065	5	
16	104-2065	SCREW - ROUND HD	5	
17	3256-14	WASHER	5	
18	321-5	SCREW - CAP HEX HD	2	
19	3256-22	WASHER	4	
20	10-4930-01	BED BAR	1	
21	302-5	GREASE FITTING	3	
22	10-5040	ORDER 65-8600	2	
22	65-8600	KNOB	2	
23	3243-13	SCREW	4	
24	217-74	BOLT	2	
25	27-2650	ARM	2	
26	3290-125	SET SCREW	2	
27	3253-7	LOCK WASHER	2	
28	3217-8	NUT	2	
29	3296-39	NUT	2	
30	12-0460	CAPLUG	1	
31	323-2	CAP SCREW	1	
32	10-5080-01	CAP	1	
33	253-61	SEAL	1	
34	32127-46	ORDER 3296-60	1	

*Not illustrated. **See pages 18-34 for Kit contents.

Prices subject to change without notice. NOTE: Please see your Parts Catalog or Master Parts Viewer to ensure ordering the correct part; the part needed may not be listed. **Not sold separately.

RIDING GREENSMASTERS
GREENMASTER® 300 / 3000 STYLE



4-Bolt Adjust Cutting Unit Parts - continued

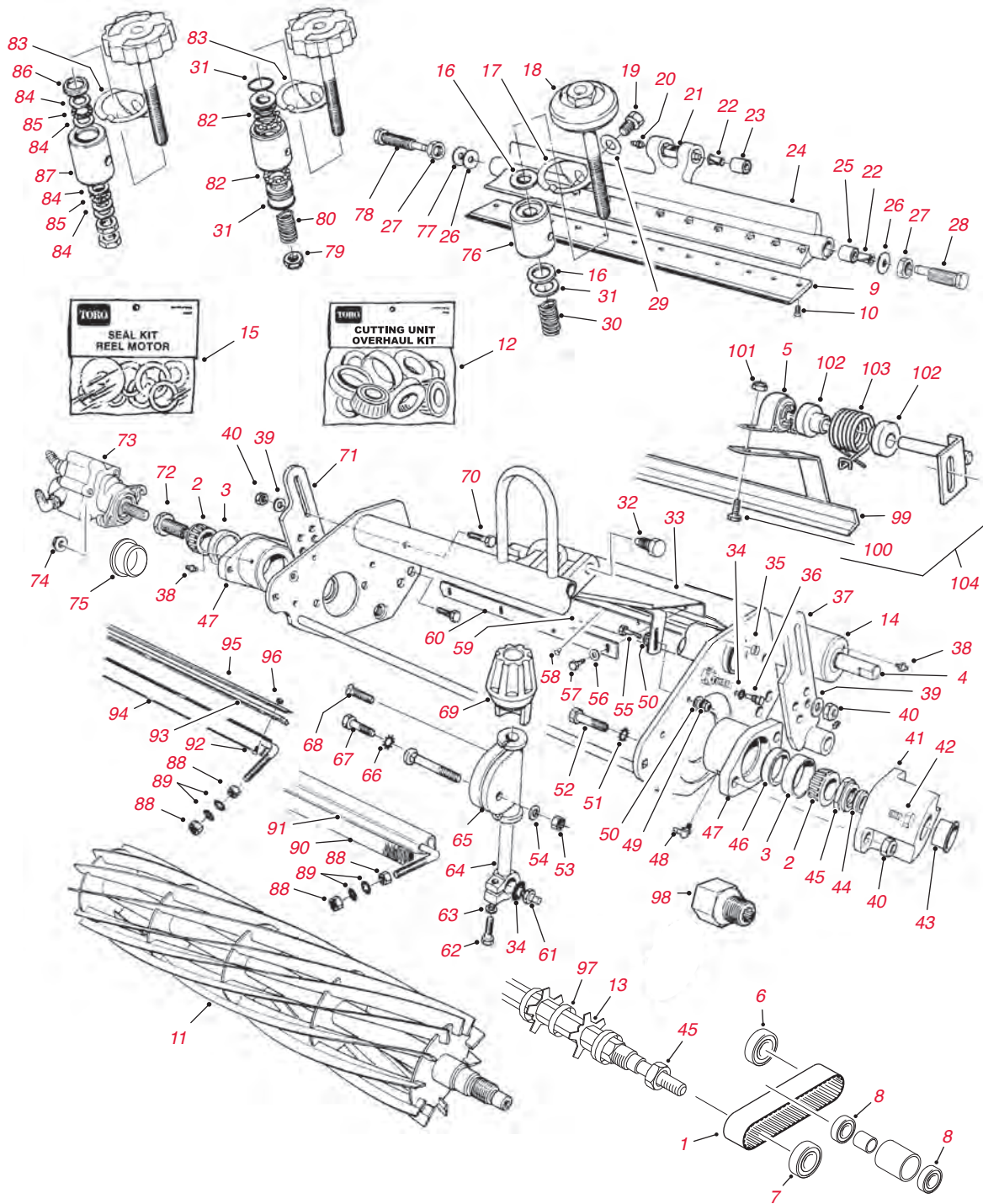
Ref. No.	Part No.	Description	Qty.	Sale Price
34	3296-60	NUT	1	
	104-3398	ORDER 108-6475		
35	108-6475	BEARING HOUSING (2002 & OLDER)	2	
35	104-3399	BEARING HOUSING (2002 & UP)	2	
36	302-40	ZERK	2	
37	3296-29	LOCKNUT	2	
38	3256-23	WASHER	2	
39	3254-6	LOCK WASHER	2	
40	2411-7	ORDER 94-2958	2	
40	94-2958	STUD - BALL	2	
41	3253-3	LOCK WASHER	2	
42	321-4	CAP SCREW	2	
43	3254-8	LOCK WASHER	4	
44	3219-1	NUT	4	
45	10-5010	ROLLER ADJUST SCREW (STANDARD REELS)	2	
46	10-5060	BRACKET	2	
47	3296-42	NUT - FLANGE	2	
48	253-96	SEAL (2001 & OLDER)	2	
48	104-3388	SEAL (2002 & UP)	2	
49	3233-26	BOLT - CARRIAGE	2	
50	3255-9	LOCK WASHER	4	
51	3290-316	ORDER 323-19	4	
51	323-19	SCREW	4	
52	8-2530	URETHANE COMB	1	
53	3249-3	SCREW	11	
54	33-0630	BRUSH	1	
55	33-1000	SCRAPER BRUSH	1	
57	3296-9	NUT	11	
58	11-0070	SCRAPER COMB ASSEMBLY (INCL #52, 53, 56 & 57)	1	
59	322-5	CAP SCREW	2	
60	3255-8	LOCK WASHER	2	
61	32108-20	SCREW	2	
62	77-0340	ORDER 93-1394	1	
62	93-1394	SPLINE NUT	1	
63	2410-30	CAP - PLASTIC	1	
64	36-7260	CUTOFF BAR	1	
65	70-1100-01	REEL FRAME	1	
66	42-4800-01	BAR - SCRAPER	1	
67	32152-4	NUT - LOCK	4	
68	19-9560	SPACER - SPRING	4	
69	19-9540	SPRING - LH	1	
*	19-9550	SPRING - RH	1	
70	321-3	SCREW - CAP	8	
71	42-4820	REAR ROLLER SCRAPER KIT (INCL 3 SETS #5 & 66-70)	1	
72	70-9800	ORDER 105-9770	1	
72	94-3506	ORDER 105-9770	1	
72	105-9770	REEL MOTOR ASSEMBLY (GR 3050 1997 & UP)	1	
72	105-9770	REEL MOTOR ASSEMBLY (GR 3100 2003 & UP)	1	
72	112-9200	ORDER 120-2072	1	
72	108-6487	ORDER 120-2072	1	
72	120-2072	REEL MOTOR ASSEMBLY (GR 3150 2002-05)	1	
73	70-1350	SPACER - GROOMER	84	

*Not illustrated. **See pages 18-34 for Kit contents.

Prices subject to change without notice. NOTE: Please see your Parts Catalog or Master Parts Viewer to ensure ordering the correct part; the part needed may not be listed. **Not sold separately.

RIDING GREENMASTERS

GREENMASTER® 300 / 3000 STYLE



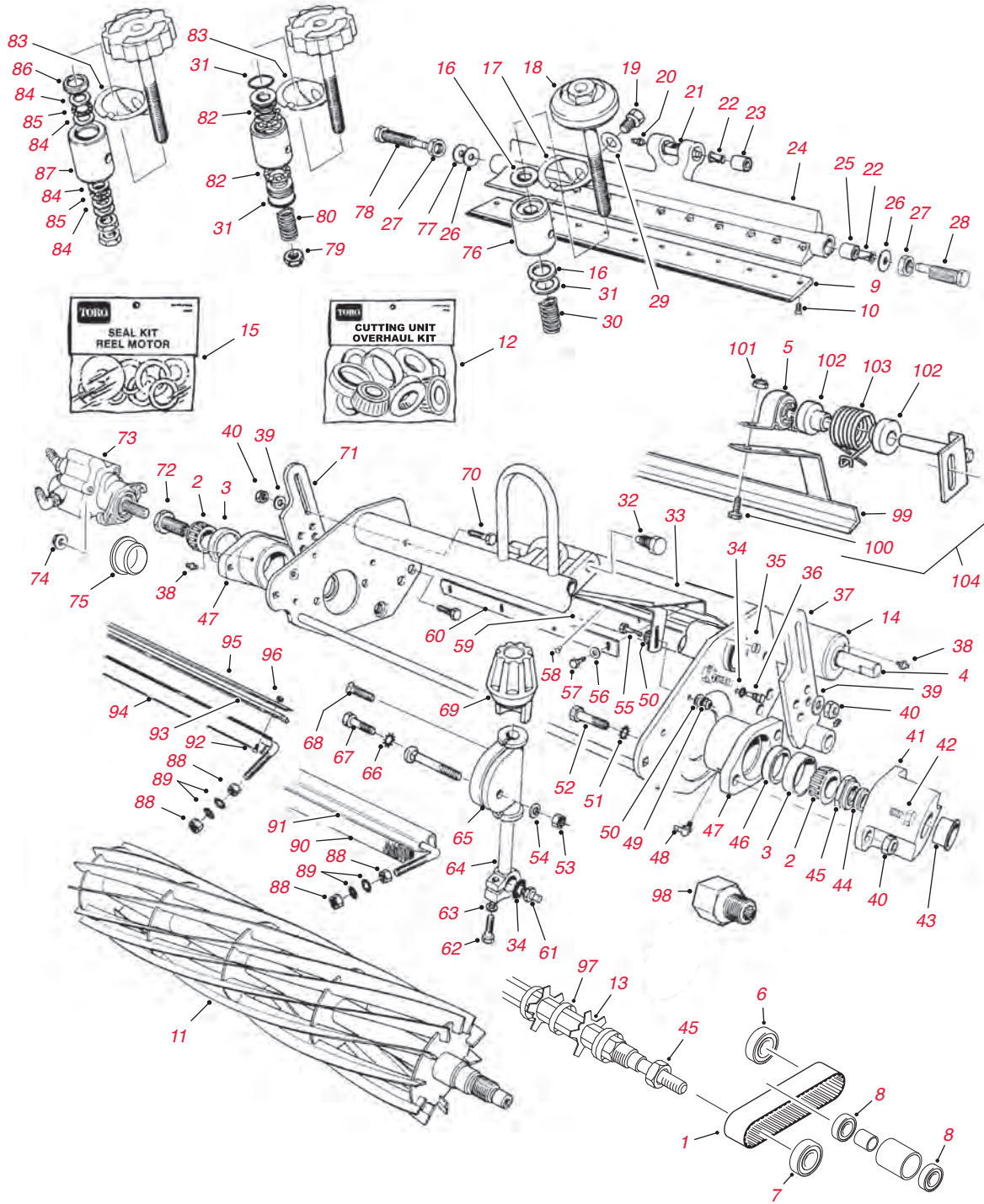
SPA (Single Point Adjust) Cutting Unit Parts

Ref. No.	Part No.	Description	Qty.	Sale Price
1	65-9700	BELT - GROOMER DRIVE	1	
2	254-94	BEARING CONE	2	
3	254-72	BEARING CUP	2	
4	21-8430	ORDER 52-3180	2	
4	52-3180	BEARING	2	
5	256-239	BEARING	2	
6	251-327	BEARING - BALL (GROOMER DRIVE CLUTCH)	1	
7	251-327	BEARING - BALL (GROOMER SHAFT)	3	
8	251-328	BEARING - BALL (GROOMER IDLER)	2	
9	57-4960	ORDER 63-8470	1	
9	57-4970	ORDER 94-6392	1	
9	57-4980	ORDER 63-8560	1	
9	62-2500	ORDER 94-6392	1	
9	63-8470	ORDER 93-4264	1	
9	63-8560	ORDER 93-4263	1	
9	63-8600	BEDKNIFE - FAIRWAY CUT 21"	1	
9	112-7475	BEDKNIFE-EDGEMAX FAIRWAY CUT 21"	1	
9	93-4262	BEDKNIFE - MICROCUT 21"	1	
9	115-1880	BEDKNIFE- EDGEMAX MICROCUT 21"	1	
9	93-4263	BEDKNIFE - TOURNAMENT-CUT 21"	1	
9	115-1881	BEDKNIFE-EDGEMAX TOURNAMENT-CUT 21"	1	
9	93-4264	BEDKNIFE - LOW-CUT 21"	1	
9	94-6392	BEDKNIFE - HIGH-CUT 21"	1	
	3-6462	ORDER 119-4151	13	
	57-4910	ORDER 119-4151	13	
10	119-4151	BEDKNIFE SCREW	13	
	12-2789	ORDER 130-6470		
11	130-6470	REEL - 11 BLADE (5" DIA - GR 3000/3100/3000D)	1	
	5-3189	ORDER 12-3599	1	
	12-3599	ORDER 130-6469		
11	130-6469	REEL - 8 BLADE (5"DIA - GR 3000/3100/3000D)	1	
*	107-1590**	Reel Overhaul MVP Kit (1985-01)	A/R	
*	107-1598**	Reel Overhaul MVP Kit (2002 & UP)	A/R	
12	13-3659**	Cutting Unit Overhaul MVP Kit (1985-01)	A/R	
13	70-1170	BLADE - GROOMER (89 & UP)	41	
14	52-3120	REAR ROLLER ASSEMBLY	1	
*	107-1589**	Swaged & Full Roller Rebuild MVP Kit	A/R	
15	353-585	ORDER 92-8863	1	
15	72-4380	ORDER 92-8863	1	
15	75-1270	ORDER 92-8863	1	
15	92-8863	SEAL KIT	1	
15	106-6362	SEAL KIT (FOR REEL MOTOR 105-9770)	1	
16	77-0350	WASHER	2	
17	66-7220	SPRING ARM	1	
18	77-0300-01	HANDLE ASSEMBLY	1	
19	324-25	CAP SCREW	1	
20	302-18	ZERK FITTING	1	
21	52-2920	PIVOT - BEDBAR	1	
21	57-5260	ORDER 107-7409	1	
21	107-7409	PIVOT - BEDBAR	1	
22	52-2890	FLANGED BUSHING	4	
23	62-5510	RUBBER BUSHING	2	
24	52-2780	ORDER 57-4940-01	1	
24	57-4940-01	BED BAR	1	
25	63-9510	RUBBER BUSHING	2	
26	52-2900	WASHER - POLY	2	

*Not illustrated. **See pages 18-34 for Kit contents.

RIDING GREENMASTERS

GREENMASTER® 300 / 3000 STYLE



SPA (Single Point Adjust) Cutting Unit Parts - continued

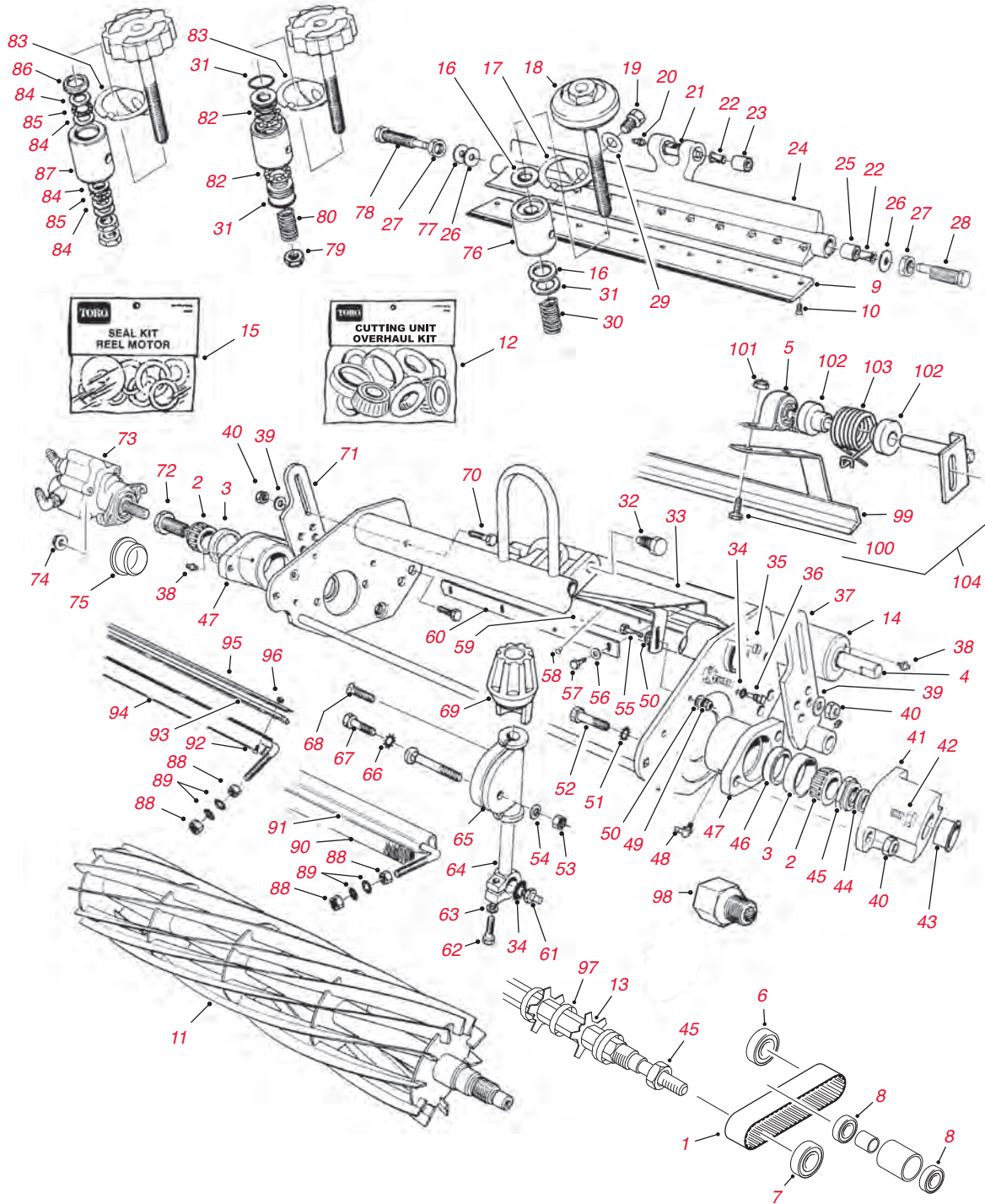
Ref. No.	Part No.	Description	Qty.	Sale Price
27	3220-6	NUT	2	
28	52-2910	BOLT - ECCENTRIC LH	1	
29	3256-24	WASHER	1	
30	66-7230	COMPRESSION SPRING	1	
31	237-77	O-RING	2	
32	57-5190	SCREW - ADJUST (1988 PRIOR)	2	
32	66-7240	SCREW - PIVOT	2	
33	57-5200	GRASS SHIELD ASSEMBLY (INCL #59)	1	
34	3254-6	LOCK WASHER	4	
35	237-84	GROMMET	2	
36	57-9910	SCREW - PIVOT	2	
37	77-1080	LH HOC ADJUST	1	
*	120-9600	HOC KIT (GRN 3000 DPA CU)	1	
38	302-5	GREASE FITTING	3	
39	3256-24	WASHER	4	
40	3296-39	NUT	6	
41	10-5080-01	CAP	1	
42	323-2	CAP SCREW	1	
43	12-0460	CAPLUG	1	
44	253-61	SEAL	2	
45	32127-46	ORDER 3296-60	1	
45	3296-60	NUT	1	
46	253-96	SEAL (2001 & OLDER)	2	
46	104-3388	SEAL (2002 & UP)	2	
47	104-3398	ORDER 108-6475	2	
47	108-6475	BEARING HOUSING (2001 & OLDER)	2	
47	104-3399	BEARING HOUSING (2002 & UP)	2	
48	302-40	ZERK	1	
49	3296-42	NUT	2	
50	3256-22	WASHER	4	
51	3255-9	LOCK WASHER	4	
52	3290-316	ORDER 323-19	4	
52	323-19	SCREW	4	
53	3296-29	LOCKNUT	2	
54	3256-23	WASHER	2	
55	321-5	SCREW - CAP HEX HD	2	
56	3256-14	WASHER	5	
57	32144-73	ORDER 104-2065	5	
57	104-2065	SCREW - ROUND HD	5	
58	3295-46	RIVET	13	
59	57-5210	FLAP	1	
60	36-7260	CUTOFF BAR	1	
61	2411-7	ORDER 94-2958	2	
61	94-2958	STUD - BALL	2	
62	321-4	CAP SCREW	2	
63	3253-3	LOCK WASHER	2	
64	10-5010	ADJUSTMENT SCREW (STANDARD REELS)	2	
64	65-9500	ADJUSTMENT SCREW (GROOMER REELS)	2	
65	10-5060	BRACKET	2	
66	3255-8	LOCK WASHER	2	
67	322-5	CAP SCREW	2	
68	32108-20	SCREW	2	
69	10-5040	ORDER 65-8600	2	
69	65-8600	KNOB	2	
70	323-7	CAP SCREW	2	
71	77-1060	RH HOC ADJUST	1	
72	77-0340	ORDER 93-1394	1	
72	93-1394	SPLINE NUT	1	
73	70-9800	ORDER 105-9770	1	

*Not illustrated. **See pages 18-34 for Kit contents.

Prices subject to change without notice. NOTE: Please see your Parts Catalog or Master Parts Viewer to ensure ordering the correct part; the part needed may not be listed. **Not sold separately.

RIDING GREENMASTERS

GREENMASTER® 300 / 3000 STYLE



SPA (Single Point Adjust) Cutting Unit Parts - continued

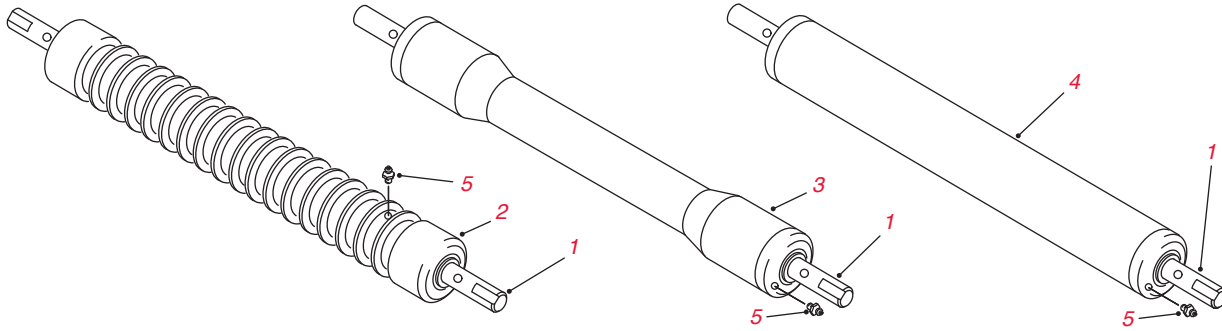
Ref. No.	Part No.	Description	Qty.	Sale Price
73	94-3506	ORDER 105-9770	1	
73	105-9770	REEL MOTOR ASSEMBLY (GR 3050 1997 & UP)	1	
73	105-9770	REEL MOTOR ASSEMBLY (GR 3100 03 & UP)	1	
73	112-9200	ORDER 120-2072	1	
73	108-6487	ORDER 120-2072	1	
73	120-2072	REEL MOTOR ASSEMBLY (GR 3150 2002-05)	1	
74	32128-36	NUT - FLANGE	2	
75	2410-30	CAP - PLASTIC	1	
76	77-0330	HOUSING - PIVOT	1	
77	52-2860	WASHER	1	
78	52-2930	SHOULDER BOLT	1	
79	3296-62	LOCKNUT	1	
80	57-5270	SPRING - COMPRESSION	1	
82	57-5280	BEARING	2	
83	52-3000	ARM - SPRING	1	
84	257-5	WASHER	4	
85	257-6	BEARING	2	
86	253-84	OIL SEAL	1	
87	52-2980	HOUSING - PIVOT	1	
88	3219-1	NUT	4	
89	3254-8	LOCK WASHER	4	
90	33-0630	BRUSH	1	
91	33-1000	SCRAPER BRUSH ASSEMBLY (INCL #90)	1	
92	3249-3	SCREW	11	
93	8-2530	URETHANE COMB	1	
94	11-0070	SCRAPER COMB ASSEMBLY (INCL #92-96)	1	
96	3296-9	NUT	11	
97	70-1350	SPACER - GROOMER	84	
98	77-0560	NUT - SPLINED (GROOMER MOTOR-REEL)	1	
99	42-4800-01	BAR - SCRAPER	1	
100	321-3	SCREW - CAP	4	
101	32152-4	NUT - LOCK	4	
102	19-9560	SPACER - SPRING	4	
103	19-9540	SPRING - LH	1	
*	19-9550	SPRING - RH	1	
*	105-5445	CABLE-TRACTION (GR3150)	1	
*	114-3319	HARNESS-WIRE, MAIN (GR 3150)	1	

*Not illustrated. **See pages 18-34 for Kit contents.

Prices subject to change without notice. NOTE: Please see your Parts Catalog or Master Parts Viewer to ensure ordering the correct part; the part needed may not be listed. **Not sold separately.

RIDING GREENMASTERS

GREENMASTER® 300 / 3000 STYLE



Cutting Unit Front Roller Parts

Ref. No.	Part No.	Description	Qty.	Sale Price
1	52-2720	ORDER 52-3180	2	
1	52-3180	BEARING - ROLLER	2	
2	52-3200	WIEHLE ROLLER ASSEMBLY (1989 & OLDER)	1	
2	71-1550	WIEHLE ROLLER ASSEMBLY - CAST (1990 & UP)	1	
2	88-6790	WIEHLE ROLLER ASSEMBLY - ALUMINUM (1990 & UP)	1	
*	107-1588**	Roller Rebuild MVP Kit	A/R	
3	10-5000	ORDER 52-3590	1	
3	21-6470	ORDER 52-3590	1	
3	52-3590	SWAGED ROLLER	1	
*	107-1589**	Roller Rebuild MVP Kit	A/R	
4	21-6440	ORDER 52-3170	1	
4	52-3170	FULL ROLLER ASSEMBLY	1	
5	302-5	GREASE FITTING	2	

*Not illustrated. **See pages 18-34 for Kit contents.

Prices subject to change without notice. NOTE: Please see your Parts Catalog or Master Parts Viewer to ensure ordering the correct part; the part needed may not be listed. **Not sold separately.

Traction Unit Parts

	Part No.	Description	Qty.	Sale Price
FILTERS	85-4930	FILTER - ENGINE OIL (3200D)	1	
	99-9017	ORDER 108-3842	1	
	108-3842	FILTER - ENGINE OIL (2007 - 2011)	1	
	115-8189	FILTER - ENGINE OIL (3250D 2012 & UP)	1	
	93-2195	ORDER 108-3811	1	
	108-3811	ELEMENT - AIR CLEANER	1	
	98-2982	SAFETY - AIR CLEANER	1	
	94-2690	FUEL FILTER (GR 3200 1995-96)	1	
	95-2926	ORDER 108-3854	1	
	108-3854	FUEL FILTER (GR 3200 1997-98)	1	
	100-3192	FUEL FILTER ELEMENT (GR 3250 (2000-2006)	1	
	75-1310	ELEMENT - HYDRAULIC FILTER (3200/3200D)	1	
	105-0438	ORDER 107-9631	1	
	107-9531	HYDRAULIC FILTER ELEMENT (GR 3250D)	1	
	110-8814	FUEL FILTER ASM (BIO-DIESEL) (3250D 2007 & UP)	1	
	112-9188	ELEMENT - FUEL FILTER (BIO-DIESEL) (3250D 2007 - 2011)	1	
	110-9049	FILTER - SPIN ON (3250D 2012 & UP)	1	
	112-9182	BIO-DIESEL FUEL FILTER KIT (3250D)	1	
	30018**	400 Hour Filter MVP Kit (GR 3250D - 2003-06)	A/R	
	30062**	400 Hour Filter MVP Kit (GR 3250D - 2007-2011)	A/R	
	30086**	500 Hour Filter MVP Kit (GR 3250D - 2012 & Up)	A/R	
TIRES	231-64	ORDER 28-3680	3	
	28-3680	TIRE - FRONT & REAR (18 X 9.5 - 8) 2-PLY SMOOTH	3	
	231-124	ORDER 231-127	3	
	231-127	ORDER 119-3516	3	
	119-3516	TIRE - FRONT & REAR (18 X 8.5 - 8) 4-PLY TRACTION		
	70-8500	TIRE - FRONT & REAR (19 X 10.5 - 8) 2-PLY TRACTION	3	
	99-4506	TIRE - FRONT & REAR (20 X 10 - 8) 4 PLY TURF MATE OPT.	3	
	114-4665	TIRE ASM (GR 3250)	2	
	114-4663	WHEEL (GR 3250)	1	
	104-2057	SENSOR, BRAKE PEDAL ASM (GR3250D)	1	
	93-2270	HYD HOSE ASM, REAR WHEEL ASM	1	
BEARINGS	See Quick Reference Guide for detailed information on bearing replacements for this model. Page 36-45			
	251-259	BEARING - BALL (NEUTRAL ARM)	1	
	254-70	ORDER 115-9472	2	
	115-9472	CONE - BEARING	2	
	115-9471	CUP - BEARING	2	
	254-78	BEARING CONE	2	
	254-79	BEARING CUP	2	
	108-6542	PULL LINK ASM	1	
	108-6544	SPACER (GR 3250D)	1	
	99-4109	SPACER, CENTER PULL FRAME ASM (GR 3250D)	1	
	125-5222	BUSHING-ECCENTRIC, MACHINED (GR 3250D)	1	
	92-8995	BUSHING (GR 3200/3200D/3250D)	2	
	99-4243	BUSHING-FLANGE, LIFT ARM ASM (GR 3250)	2	
STARTER & ALTERNATORS	825095***	STARTER (3200) (B&S REFERENCE ONLY)	1	
	99-9207	ORDER 110-2598	1	
	110-2598	STARTER (3250D)	1	
	99-9209	ALTERNATOR (3250D)	1	
	99-8193	RADIATOR (GR 3250D)	1	
	112-0278	SWITCH-REED (GR 3250D)	2	
	93-2090	FAN-ENGINE	1	
	92-2538	MODULE-TIMER, CONSOLE ASM (GR 3200/3250)	1	

*Not illustrated. **See pages 18-34 for Kit contents.

Prices subject to change without notice. NOTE: Please see your Parts Catalog or Master Parts Viewer to ensure ordering the correct part; the part needed may not be listed. **Not sold separately.

RIDING GREENMASTERS

GREENMASTER® 300 / 3000 STYLE

Traction Unit Parts - continued

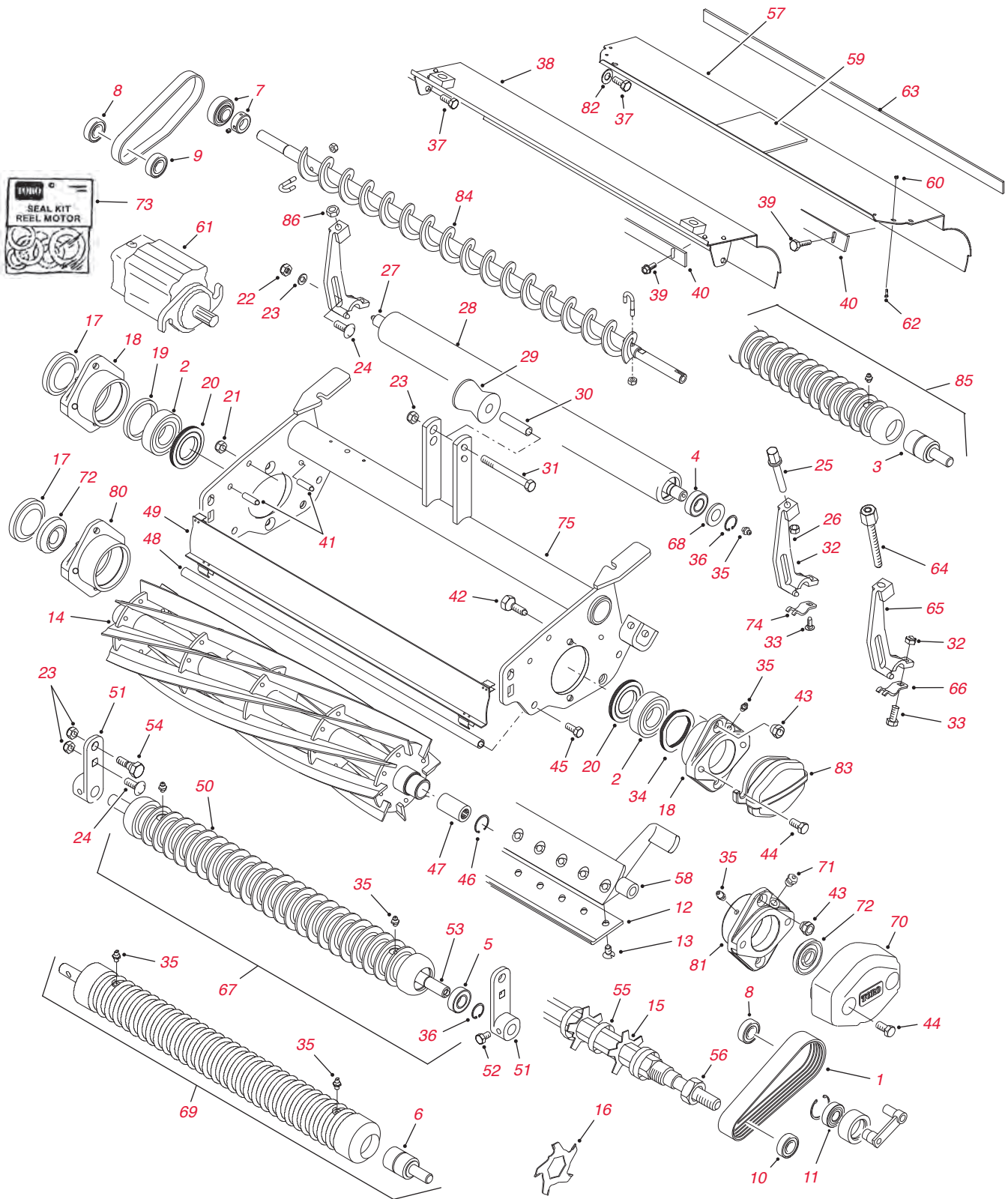
	Part No.	Description	Qty.	Sale Price	
<i>HYDRAULIC MOTOR</i>	105-0494	HYDROSTAT ASM	1		
	112-0238	MOTOR-WHEEL, HYD (RH)	1		
	112-0237	MOTOR-WHEEL, HYD (LH)	1		
	107-2550	CABLE-CONTROL, TRACTION	1		
	121-9519	GEAR PUMP SERVICE KIT (GR 3250D)	1		
	112-9197	MANIFOLD ASM W/BACKLAP (GR 3250D)	1		
	120-5341	ACTUATOR REPLACEMENT KIT (GR 3250D)	1		
	69-4320	FITTING-HYD, 90 DEG (GR 3250D)	1		
	125-1984	SPACER, REEL MOTOR ASM	5		
	93-2270	HYD HOSE ASM, REAR WHEEL ASM	1		
	<i>SEAT</i>	104-4620	SEAT-STD	1	
		92-8991	ADJUSTER - SEAT ASM	1	
	<i>OTHER</i>	94-1304	CABLE-LOCK, NEUTRAL	1	
115-5305		CAP-FUEL (3250D)	1		
112-9170		Seal-Kit, Hydraulic Cylinder	A/R		
70-9870		PLATE-BACKING	1		
125-1984		SPACER, REEL MOTOR ASM	1		
	99-4201	TUBE-SPACER, LH & RH LIFT ARM ASM	1		

*Not illustrated. **See pages 18-34 for Kit contents.

Prices subject to change without notice. NOTE: Please see your Parts Catalog or Master Parts Viewer to ensure ordering the correct part; the part needed may not be listed. **Not sold separately.

RIDING GREENSMASTERS

GREENMASTER® 3200 / 3050 STYLE



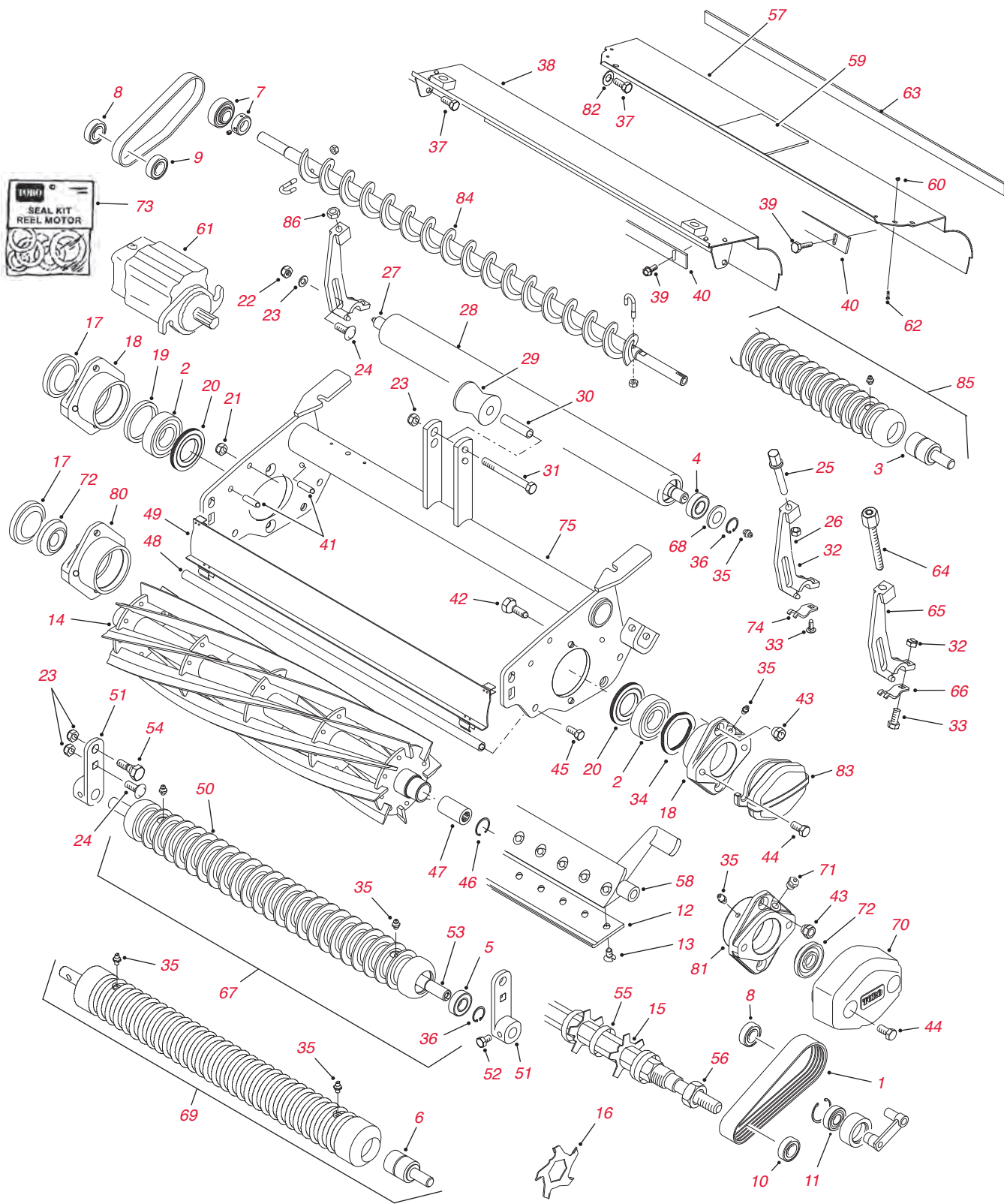
4-Bolt Adjust Cutting Unit Parts

Ref. No.	Part No.	Description	Qty.	Sale Price
1	95-0728	MULTI-ROW V-BELT - GROOMER DRIVE	1	
2	93-2489	BEARING (1995-01)	2	
2	105-3827	BEARING (2002 & UP)	2	
3	75-1290	BEARING - BALL	2	
4	85-9970	BEARING	4	
5	93-2559	BEARING - BALL	4	
6	52-3180	BEARING - ROLLER	2	
	104-1842	ORDER 132-6979		
7	132-6979	BEARING (ROLLER BRUSH SHAFT)	2	
8	251-336	BEARING - BALL (GROOMER & REAR ROLLER BRUSH DRIVE)	1	
9	98-5215	BEARING - BALL (REAR ROLLER BRUSH DRIVE)	1	
10	95-0707	BEARING - BALL (GROOMER SHAFT)	2	
11	38-7820	BEARING - BALL (GROOMER IDLER)	1	
12	93-4262	BEDKNIFE - MICROCUT	1	
12	115-1880	BEDKNIFE - MICROCUT - EDGEMAX	1	
12	93-4263	BEDKNIFE - TOURNAMENT-CUT	1	
12	115-1881	BEDKNIFE - TOURNAMENT-CUT - EDGEMAX	1	
12	93-4264	BEDKNIFE - LOW-CUT	1	
12	94-6392	BEDKNIFE - HIGH-CUT	1	
12	104-7720	ORDER 108-4303	1	
12	108-4303	BEDKNIFE - MICROCUT EXTENDED	1	
12	99-4299	ORDER 108-4302	1	
12	108-4302	BEDKNIFE - TOURNAMENT-CUT EXTENDED	1	
12	63-8600	BEDKNIFE - FAIRWAY-CUT	1	
12	112-7475	BEDKNIFE - FAIRWAY-CUT - EDGEMAX	1	
	57-4910	ORDER 119-4151	13	
13	119-4151	SCREW - BEDKNIFE	13	
	94-4356	ORDER 94-8039	1	
	94-4357	ORDER 94-8037	1	
	94-8037	ORDER 127-2189		
14	127-2189	REEL - 11 BLADE (5" DIA - GR 3000/3200/3250D)	1	
	94-8039	ORDER 127-2188		
14	127-2188	REEL - 8 BLADE (5" DIA - GR 3000/3200/3250D)	1	
14	98-2181	REEL - 5 BLADE (5" DIA - GR 3000/3200/3250D)	1	
14	98-2182	REEL - HD 8 BLADE (5" DIA - GR 3000/3200/3250D)	1	
15	95-5719	BLADE - GROOMER REEL	41	
16	110-2393	BLADE - GROOMER REEL (CARBIDE TIPPED)	41	
17	2410-30	CAP - PLASTIC	1	
18	94-4545	ORDER 108-6538	2	
18	108-6538	HOUSING - BEARING (1995-01)	2	
19	94-4544	SPACER - BEARING	1	
20	93-2483	ORDER 94-8908	2	
20	94-8908	SEAL - GREASE	2	
20	105-3824	SEAL - GREASE	2	
21	33024-00	NUT - LOCK	2	
22	3256-46	WASHER - FLAT	2	
23	33025-00	NUT - LOCK	7	
24	33125-025	SCREW - CARRIAGE	4	
26	93-2455	ORDER 99-6858	2	
26	99-6858	BRACKET - HOC REAR	2	
27	93-2466	SHAFT - ROLLER	1	
27	95-2912	SHAFT - ROLLER	1	
28	93-2465	ORDER 95-2910	1	
28	93-2467	TUBE - ROLLER	1	
28	95-2910	REAR FULL ROLLER ASSEMBLY	1	
*	107-1593**	Roller Rebuild MVP Kit (Bearings 85-9970 - 1999-2000)	A/R	
29	93-2463	ROLLER - LIFT	1	

*Not illustrated. **See pages 18-34 for Kit contents.

RIDING GREENSMASTERS

GREENMASTER® 3200 / 3050 STYLE



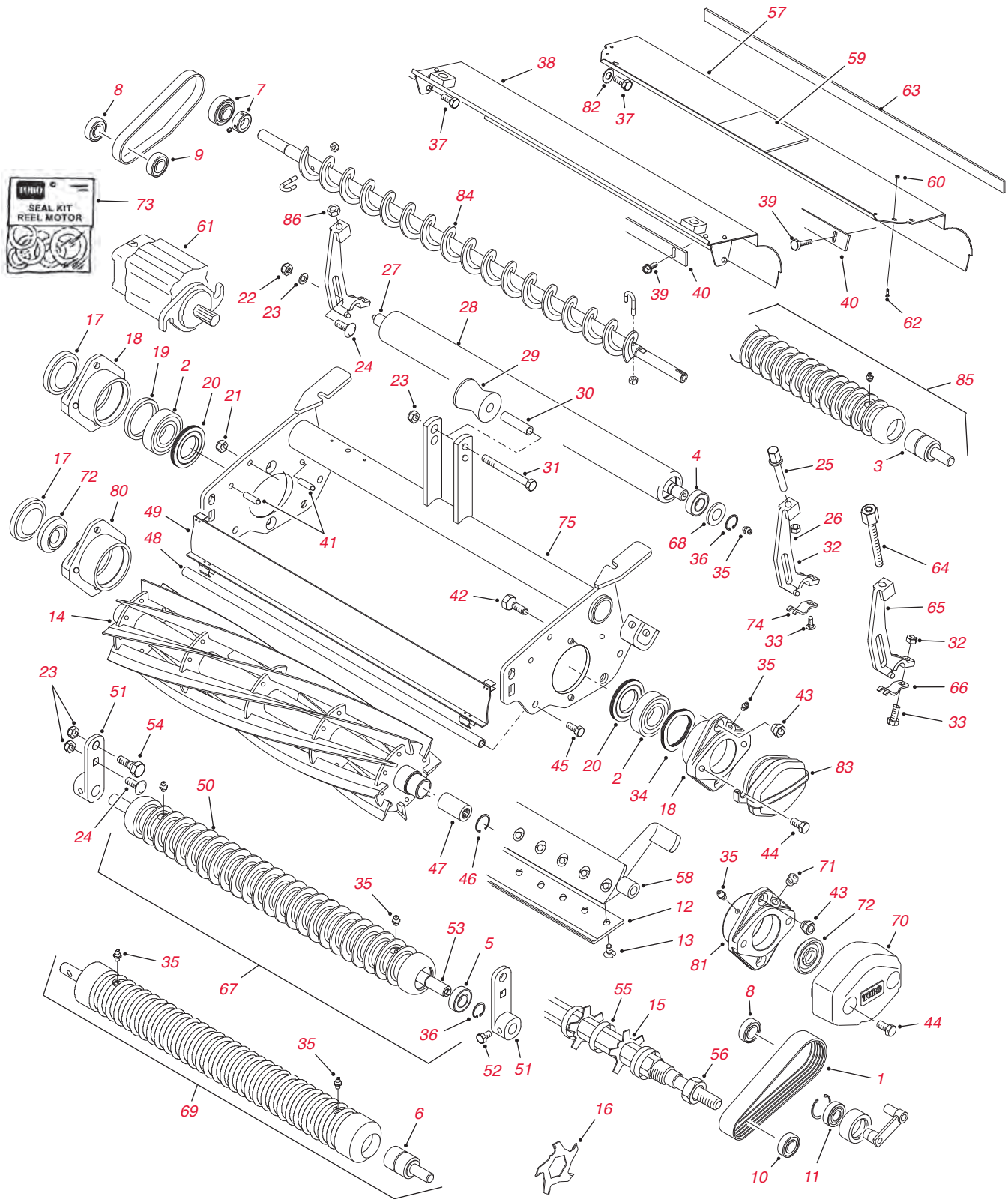
4-Bolt Adjust Cutting Unit Parts - continued

Ref. No.	Part No.	Description	Qty.	Sale Price
30	93-2464	SPACER - ROLLER	1	
31	33115-080	SCREW - HEX HD	1	
31	104-2092	SCREW - HEX SOCKET BUTTON HD	1	
32	33023-00	NUT - LOCK	2	
33	66-3160	ORDER 33114-020	2	
33	33114-020	SCREW - CARRIAGE	2	
33	33123-016	SCREW - CARRIAGE	2	
34	94-4543	SPRING - FLAT	1	
35	302-5	FITTING - GREASE	6	
36	93-2525	RING - RETAINING	4	
37	33114-020	SCREW - HEX HD	2	
38	93-2481	ORDER 99-4103	1	
38	99-4103	SHIELD - REAR (1995-99)	1	
39	104-2065	SCREW - SELF TAPPING	5	
40	36-7260	BAR - CUT-OFF	1	
41	32121-123	PIN - ROLL	4	
42	95-0745	SCREW TAPERED	4	
43	93-2454	NUT - TAPER	4	
44	93-2569	SCREW - HEX HD	4	
45	48-7770	ORDER 33115-020	2	
45	33115-020	SCREW - HEX HD	2	
46	32120-37	RING - RETAINING	1	
47	94-4507	COUPLER - SPLINED	1	
48	98-2196	ROD - SHIELD	1	
49	93-2475	ORDER 100-6400	1	
49	100-6400	SHIELD - FRONT	1	
50	99-4211	ROLLER TUBE - NARROW WIEHLE	1	
51	94-8170	BRACKET - HOC FRONT	2	
52	33113-012	SCREW - HEX HD	2	
53	93-2470	SHAFT - ROLLER	1	
54	95-1617	ORDER 105-3833	2	
54	105-3833	BOLT - ECCENTRIC	2	
55	70-1350	SPACER	84	
56	3296-60	NUT - LOCK	2	
57	99-4197	REAR SHIELD ASSEMBLY (2001 & UP)	1	
58	93-2576-01	BEDBAR	1	
59	99-1456	PAD	1	
60	46-0430	NUT - LOCK	1	
61	100-6426	ORDER 112-9200	1	
61	108-6487	ORDER 120-2072	1	
61	120-2072	HYDRAULIC MOTOR ASSEMBLY (GR 3050D 2003-05)	1	
61	105-9770	REEL MOTOR ASSEMBLY (GR 3050 1997 & UP)	1	
61	105-9770	REEL MOTOR ASSEMBLY (GR 3100 03 & UP)	1	
62	60-6500	SCREW - HEX HD	1	
63	95-1636	STRIP - SEAL	1	
64	95-1633	HOC ADJUST ASSEMBLY	1	
65	95-1638	BRACKET - HOC REAR	1	
66	99-8168	COLLAR-HOC	1	
67	94-8171	FRONT WIDE WIEHLE ROLLER ASSEMBLY	1	
*	107-1591**	Roller Rebuild MVP Kit (Bearings 93-2559 - 1995-1998)	A/R	
68	85-7190	WASHER - SHIELD	2	
69	99-6241	FRONT WIEHLE ROLLER - 0.20" SPACING	1	
*	107-1588**	Roller Rebuild MVP Kit (Bearings 52-3180)	A/R	
70	100-7113-01	COUNTERWEIGHT (3050 STYLE)	1	
71	302-34	FITTING - BREATHER	2	
72	104-2067	SPACER - END (3050 STYLE 2001-03 ONLY)	2	

*Not illustrated. **See pages 18-34 for Kit contents.

RIDING GREENMASTERS

GREENMASTER® 3200 / 3050 STYLE

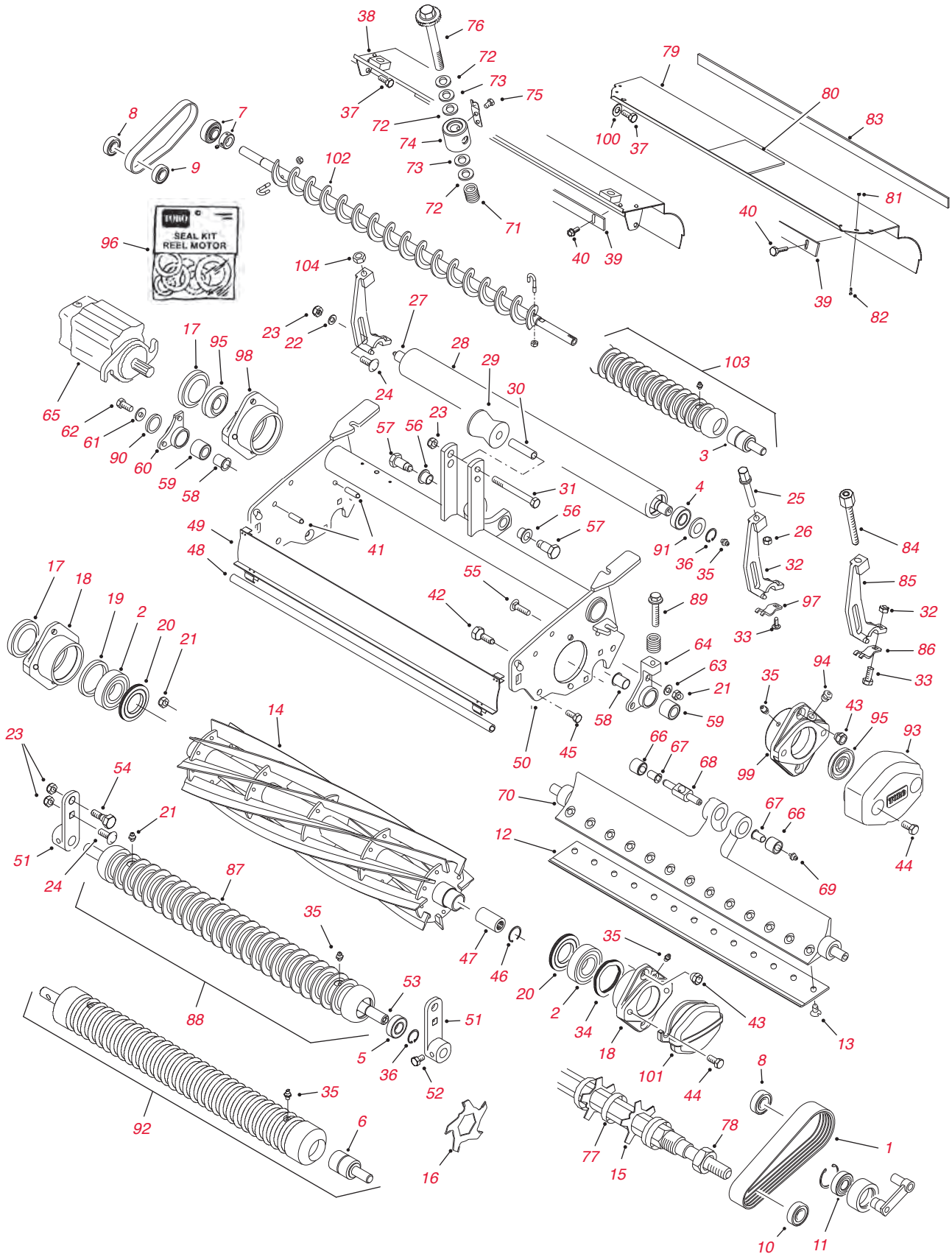


4-Bolt Adjust Cutting Unit Parts - continued

Ref. No.	Part No.	Description	Qty.	Sale Price
73	106-6362	SEAL KIT (FOR REEL MOTOR 105-9770)	1	
74	94-1382	COLLAR - HOC BRACKET	2	
75	93-2490	ORDER 105-9768	1	
75	105-9768	REEL FRAME ASSEMBLY (1995-96)	1	
75	95-1635-01	REEL FRAME ASSEMBLY (1997 & UP)	1	
80	105-3825	HOUSING - BEARING RH (2002 & UP)	1	
81	105-3826	HOUSING - BEARING LH (2002 & UP)	1	
82	3256-74	WASHER - FLAT	4	
83	95-1642-01	COUNTERWEIGHT (3200 STYLE)	1	
84	104-1829	ORDER 105-6792	1	
84	105-6792	REPLACEMENT REAR ROLLER BRUSH	1	
*	104-1834	IDLER BEARING ASM - REAR ROLLER BRUSH ASM	1	
*	106-9627**	Rear Roller Brush Rebuild MVP Kit	A/R	
85	94-8150	REAR WIEHLE ROLLER ASSEMBLY	1	
*	107-1592**	Roller Rebuild MVP Kit (Bearings 75-1290)	A/R	
86	3296-5	NUT - LOCK	2	

*Not illustrated. **See pages 18-34 for Kit contents.

RIDING GREENMASTERS
GREENMASTER® 3200 / 3050 STYLE



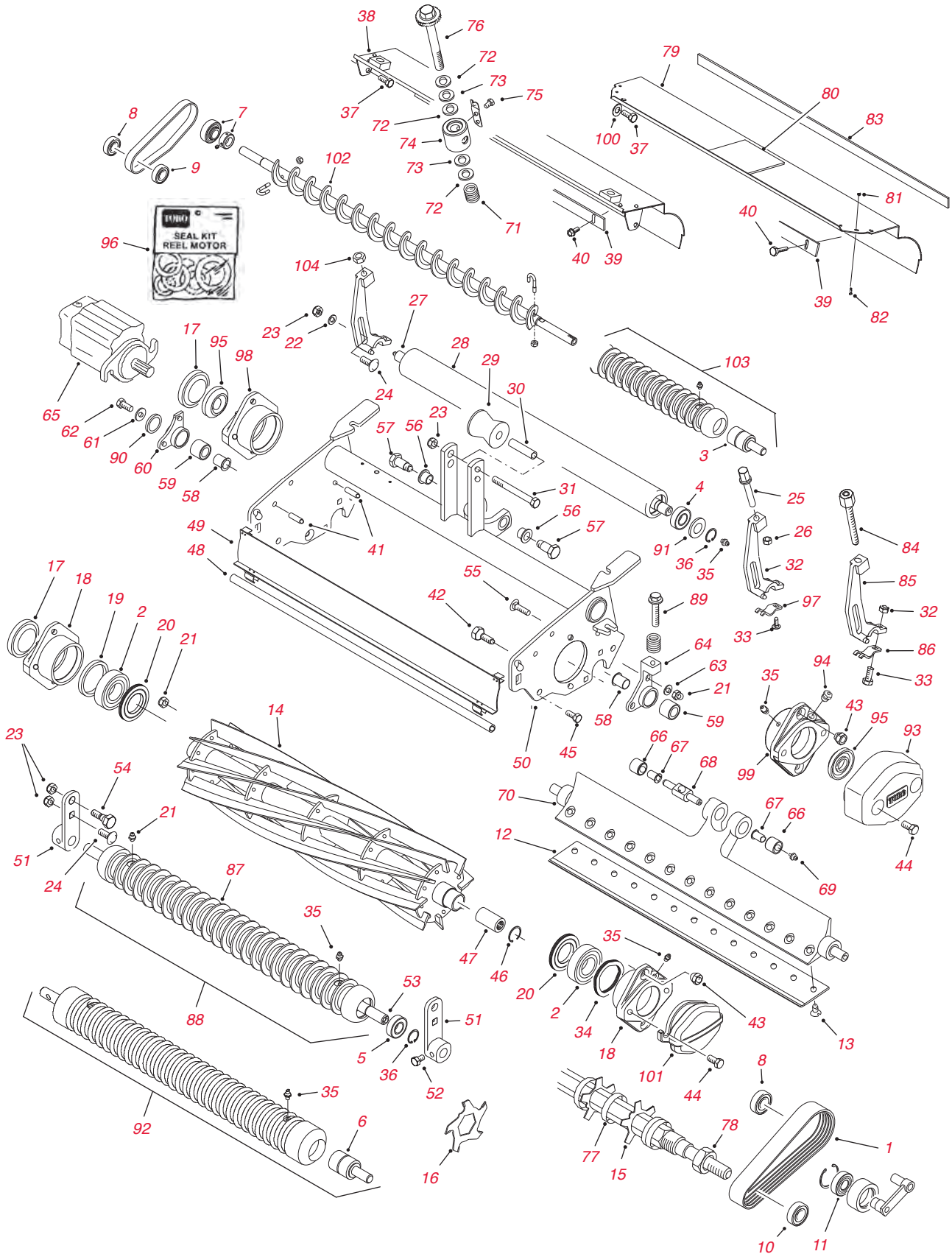
SPA (Single Point Adjust) Cutting Unit Parts

Ref. No.	Part No.	Description	Qty.	Sale Price
1	95-0728	MULTI-ROW V-BELT - GROOMER DRIVE	1	
2	93-2489	BEARING (1995-01)	2	
2	105-3827	BEARING (2002 & UP)	2	
3	75-1290	BEARING - BALL	2	
4	85-9970	BEARING	4	
5	93-2559	BEARING - BALL	4	
6	52-3180	BEARING - ROLLER	2	
	104-1842	ORDER 132-6979		
7	132-6979	BEARING - BALL (ROLLER BRUSH SHAFT)	2	
8	251-336	BEARING - BALL (GROOMER & REAR ROLLER BRUSH DRIVE)	1	
9	98-5215	BEARING - BALL (REAR ROLLER BRUSH DRIVE)	1	
10	95-0707	BEARING - BALL (GROOMER SHAFT)	2	
11	38-7820	BEARING - BALL (GROOMER IDLER)	1	
12	93-4262	BEDKNIFE - MICRO CUT	1	
12	115-1880	BEDKNIFE-EDGEMAX, MICRO CUT	1	
12	93-4263	BEDKNIFE - TOURNAMENT-CUT	1	
12	115-1881	BEDKNIFE-EDGEMAX, TOURNAMENT-CUT	1	
12	93-4264	BEDKNIFE - LOW-CUT	1	
12	94-6392	BEDKNIFE - HIGH-CUT	1	
12	63-8600	BEDKNIFE-FAIRWAY	1	
12	112-7475	BEDKNIFE-EDGEMAX (21" FAIRWAY)	1	
12	104-7720	ORDER 108-4303	1	
12	108-4303	BEDKNIFE - MICRO CUT EXTENDED (GR 3050 STYLE)	1	
12	99-4299	ORDER 108-4302	1	
12	108-4302	BEDKNIFE - TOURNAMENT-CUT EXTENDED (GR 3050 STYLE)	1	
13	3-6462	ORDER 119-4151	13	
	57-4910	ORDER 119-4151	13	
	119-4151	BEDKNIFE SCREW	13	
13	94-4356	ORDER 94-8039	1	
	94-4357	ORDER 94-8037	1	
	94-8037	ORDER 127-2189		
14	127-2189	REEL - 11 BLADE (5" DIA - GR 3000/3200/3250D)	1	
	94-8039	ORDER 127-2188		
14	127-2188	REEL - 8 BLADE (5"DIA - GR 3000/3200/3250D)	1	
14	98-2181	REEL - 5 BLADE (5"DIA - GR 3000/3200/3250D)	1	
14	98-2182	REEL - HD 8 BLADE (5"DIA - GR 3000/3200/3250D)	1	
15	95-5719	BLADE - GROOMER REEL	41	
16	110-2393	BLADE - GROOMER REEL (CARBIDE TIPPED)	41	
17	2410-30	CAP - PLASTIC	1	
18	94-4545	ORDER 108-6538	2	
18	108-6538	HOUSING - BEARING (1995-01)	2	
19	94-4544	SPACER - BEARING	1	
20	93-2483	ORDER 94-8908	2	
20	94-8908	SEAL - GREASE	2	
20	105-3824	SEAL - GREASE	2	
21	33024-00	NUT - LOCK	2	
22	3256-46	WASHER - FLAT	2	
23	33025-00	NUT - LOCK	7	
24	33125-025	SCREW - CARRIAGE	4	
26	93-2455	ORDER 99-6858	2	
26	99-6858	BRACKET - HOC REAR	2	
27	93-2466	SHAFT - ROLLER	1	
27	95-2912	SHAFT - ROLLER	1	
28	93-2465	ORDER 95-2910	1	
28	93-2467	TUBE - ROLLER	1	
28	95-2910	REAR FULL ROLLER ASSEMBLY	1	
*	107-1593**	Roller Rebuild MVP Kit (2008-2010)	A/R	
29	93-2463	ROLLER - LIFT	1	

*Not illustrated. **See pages 18-34 for Kit contents.

RIDING GREENSMASTERS

GREENMASTER® 3200 / 3050 STYLE



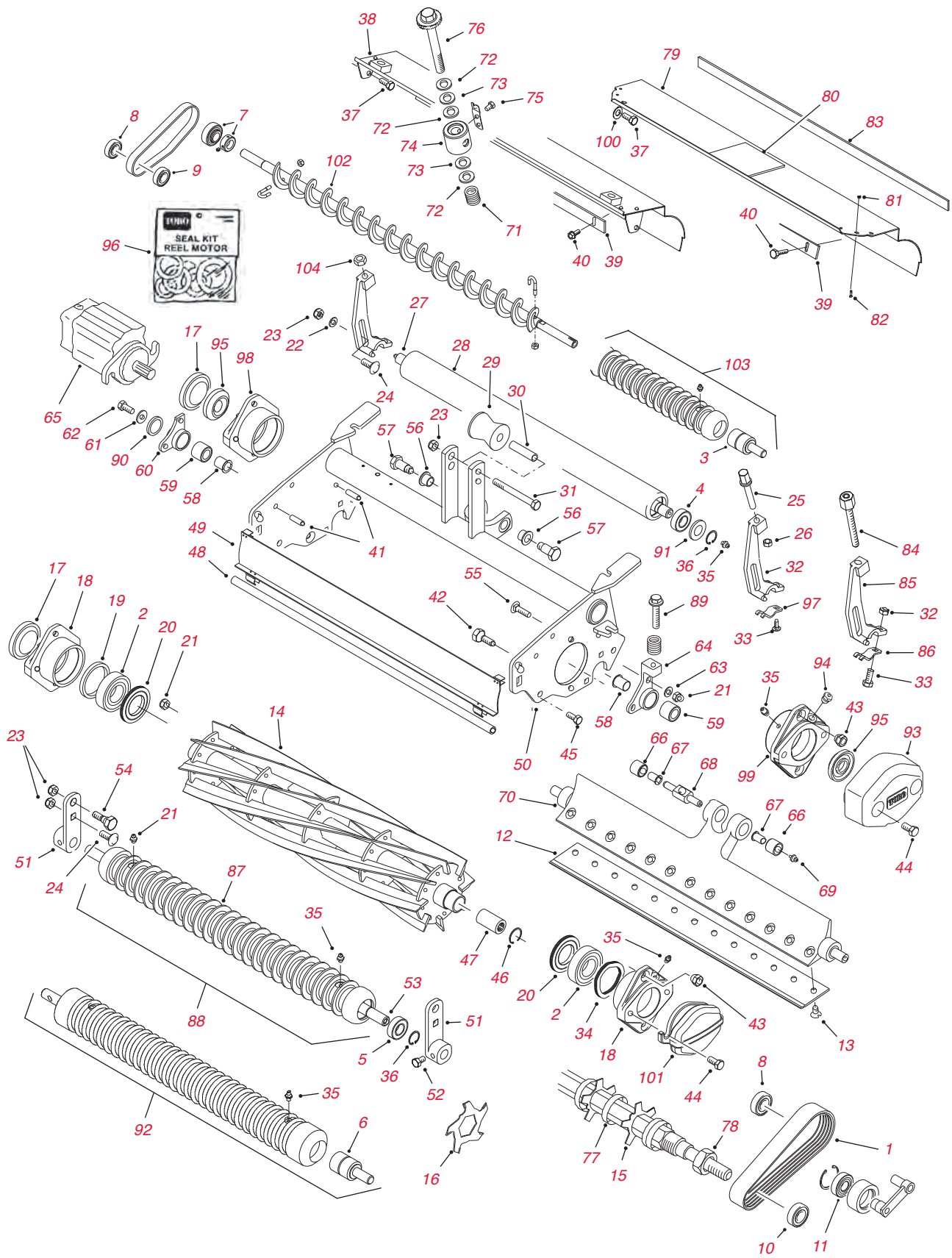
SPA (Single Point Adjust) Cutting Unit Parts - continued

Ref. No.	Part No.	Description	Qty.	Sale Price
30	93-2464	SPACER - ROLLER	1	
31	33115-080	SCREW - HEX HD	1	
31	104-2092	SCREW - HEX SOCKET BUTTON HD	1	
32	33023-00	NUT - LOCK	2	
33	66-3160	ORDER 33114-020	2	
33	33114-020	SCREW - CARRIAGE	2	
33	33123-016	SCREW - CARRIAGE	2	
34	94-4543	SPRING - FLAT	1	
35	302-5	FITTING - GREASE	6	
36	93-2525	RING - RETAINING	4	
37	33114-020	SCREW - HEX HD	2	
38	93-2481	ORDER 99-4103	1	
38	99-4103	SHIELD - REAR (1995-99)	1	
39	36-7260	BAR - CUT-OFF	1	
40	104-2065	SCREW - SELF TAPPING	5	
41	32121-123	PIN - ROLL	4	
42	95-0745	SCREW TAPERED	4	
43	93-2454	NUT - TAPER	4	
44	93-2569	SCREW - HEX HD	4	
45	48-7770	ORDER 33115-020	2	
45	33115-020	SCREW - HEX HD	2	
46	32120-37	RING - RETAINING	1	
47	94-4507	COUPLER - SPLINED	1	
48	98-2196	ROD - SHIELD	1	
49	93-2475	ORDER 100-6400	1	
49	100-6400	SHIELD - FRONT	1	
50	93-2500	ORDER 105-9767	1	
50	105-9767	FRAME - REEL (1995-96)	1	
50	95-1634-01	FRAME - REEL (1997 & UP)	1	
51	94-8170	BRACKET - HOC FRONT	2	
52	33113-012	SCREW - HEX HD	2	
53	93-2470	SHAFT - ROLLER	1	
54	95-1617	ORDER 105-3833	2	
54	105-3833	BOLT - ECCENTRIC	2	
55	33124-025	SCREW - CARRIAGE	4	
56	93-2891	BUSHING - PLASTIC	2	
57	93-2545	SCREW - PIVOT	2	
58	93-7502	BUSHING - PLASTIC	2	
59	93-7501	BUSHING ASSEMBLY	2	
60	93-2513	ORDER 100-3380	1	
60	100-3380	HUB - PIVOT RH	1	
61	3256-82	WASHER - FLAT	1	
62	33104-020	SCREW - HEX FLANGE HD	1	
63	87-8640	WASHER - HARDENED	2	
64	93-2512	ORDER 100-3381	1	
64	100-3381	HUB - PIVOT LH	1	
65	100-6426	ORDER 108-6487	1	
65	108-6487	ORDER 120-2072	1	
65	120-2072	HYDRAULIC MOTOR ASSEMBLY (GR 3050D 2003-05)	1	
65	105-9770	REEL MOTOR ASSEMBLY (GR 3050 1997 & UP)	1	
65	105-9770	REEL MOTOR ASSEMBLY (GR 3100 03 & UP)	1	
66	62-5510	BUSHING ASSEMBLY	2	
67	52-2890	BUSHING - PLASTIC	2	
68	52-2920	PIVOT - BEDBAR	1	
69	302-18	FITTING - GREASE	1	
70	93-2511-01	BEDBAR	1	
71	93-2562	SPRING - COMPRESSION	1	

*Not illustrated. **See pages 18-34 for Kit contents.

RIDING GREENSMASTERS

GREENMASTER® 3200 / 3050 STYLE



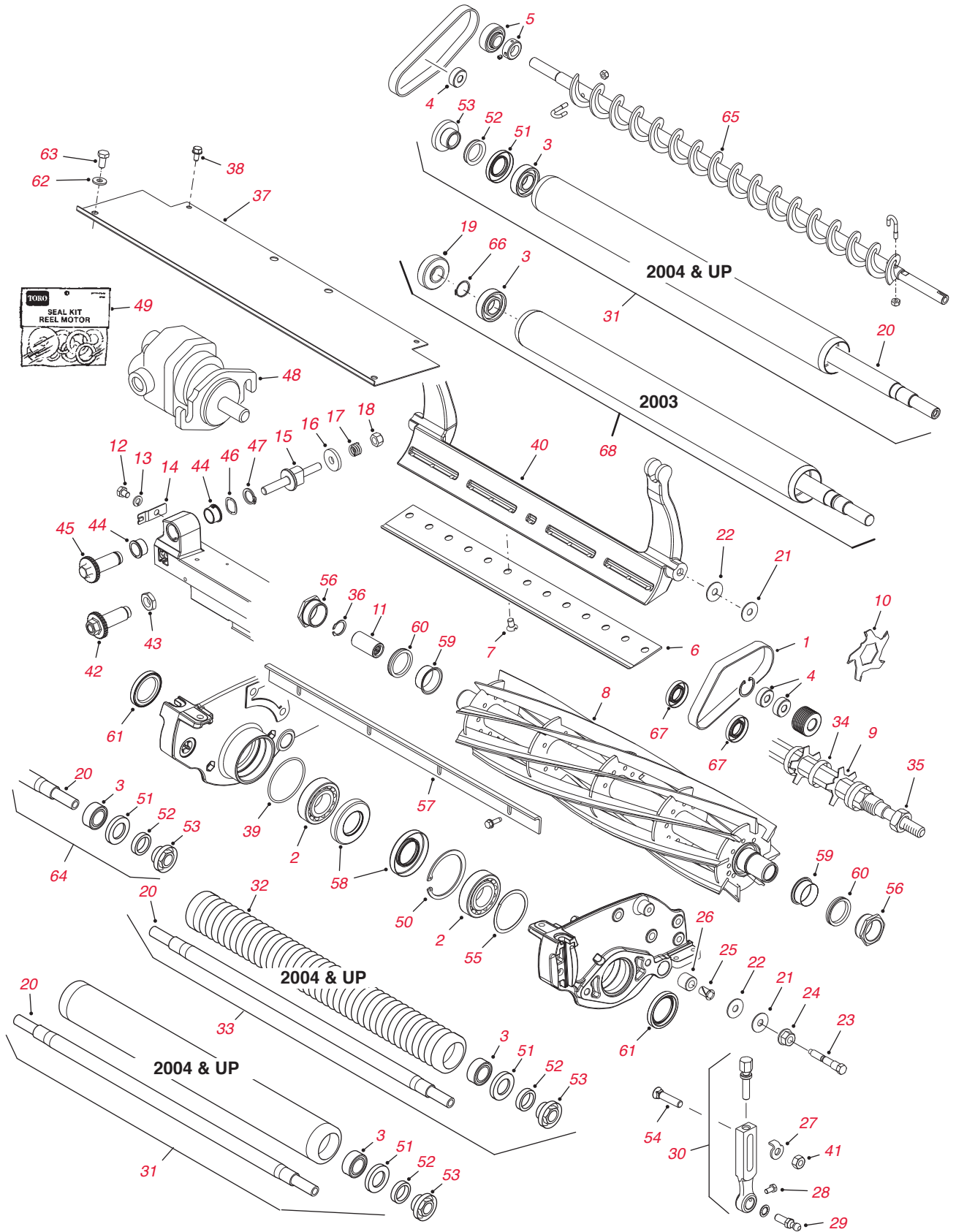
SPA (Single Point Adjust) Cutting Unit Parts - continued

Ref. No.	Part No.	Description	Qty.	Sale Price
72	257-5	WASHER - THRUST	3	
73	77-0350	WASHER - THRUST	2	
74	93-2518	HOUSING - PIVOT	1	
75	33113-008	SCREW - HEX HD	2	
76	93-2550	ADJUSTER ASSEMBLY	1	
77	70-1350	SPACER	84	
78	3296-60	NUT - LOCK	2	
79	99-4197	REAR SHIELD ASSEMBLY (2001 & UP)	1	
80	99-1456	PAD	1	
81	46-0430	NUT - LOCK	1	
82	60-6500	SCREW - HEX HD	1	
83	95-1636	STRIP - SEAL	1	
84	95-1633	HOC ADJUST ASSEMBLY	1	
85	95-1638	BRACKET - HOC REAR	1	
86	99-8168	COLLAR-HOC	1	
87	99-4211	ROLLER TUBE - NARROW WIEHLE	1	
88	94-8171	FRONT WIDE WIEHLE ROLLER ASSEMBLY	1	
*	107-1591**	Roller Rebuild MVP Kit (Bearings 93-2559 - 1995-1998)	A/R	
89	94-3489	SCREW - CAP HEX HD	1	
90	93-7510	SEAL - QUAD RING	1	
91	85-7190	WASHER - SHIELD	2	
92	99-6241	FRONT WIEHLE ROLLER ASSEMBLY - 0.20" SPACING	1	
*	107-1588**	Roller Rebuild MVP Kit (Bearings 52-3180)	A/R	
93	100-7113-01	WEIGHT - END (2001 & UP)	1	
94	302-34	FITTING - BREATHER	2	
95	104-2067	SPACER - END (3050 STYLE 2001-03 ONLY)	2	
96	106-6362	SEAL KIT (FOR REEL MOTOR 105-9770)	1	
97	94-1382	COLLAR - HOC BRACKET	2	
98	105-3825	HOUSING - BEARING RH (2002 & UP)	1	
99	105-3826	HOUSING - BEARING LH (2002 & UP)	1	
100	3256-74	WASHER - FLAT	4	
101	95-1642-01	COUNTERWEIGHT (3200 STYLE)	1	
102	104-1829	ORDER 105-6792	1	
102	105-6792	REPLACEMENT REAR ROLLER BRUSH	1	
*	104-1834	IDLER BEARING ASM - REAR ROLLER BRUSH ARM	1	
*	106-9627**	Rear Roller Brush Rebuild MVP Kit	A/R	
103	94-8150	REAR WIEHLE ROLLER ASSEMBLY	1	
*	107-1592**	Roller Rebuild MVP Kit (Bearings 75-1290)	A/R	
104	3296-5	NUT - LOCK	2	

*Not illustrated. **See pages 18-34 for Kit contents.

RIDING GREENMASTERS

GREENMASTER® DPA (DUAL POINT ADJUST)



RIDING GREENSMASTERS

GREENMASTER® DPA (DUAL POINT ADJUST)

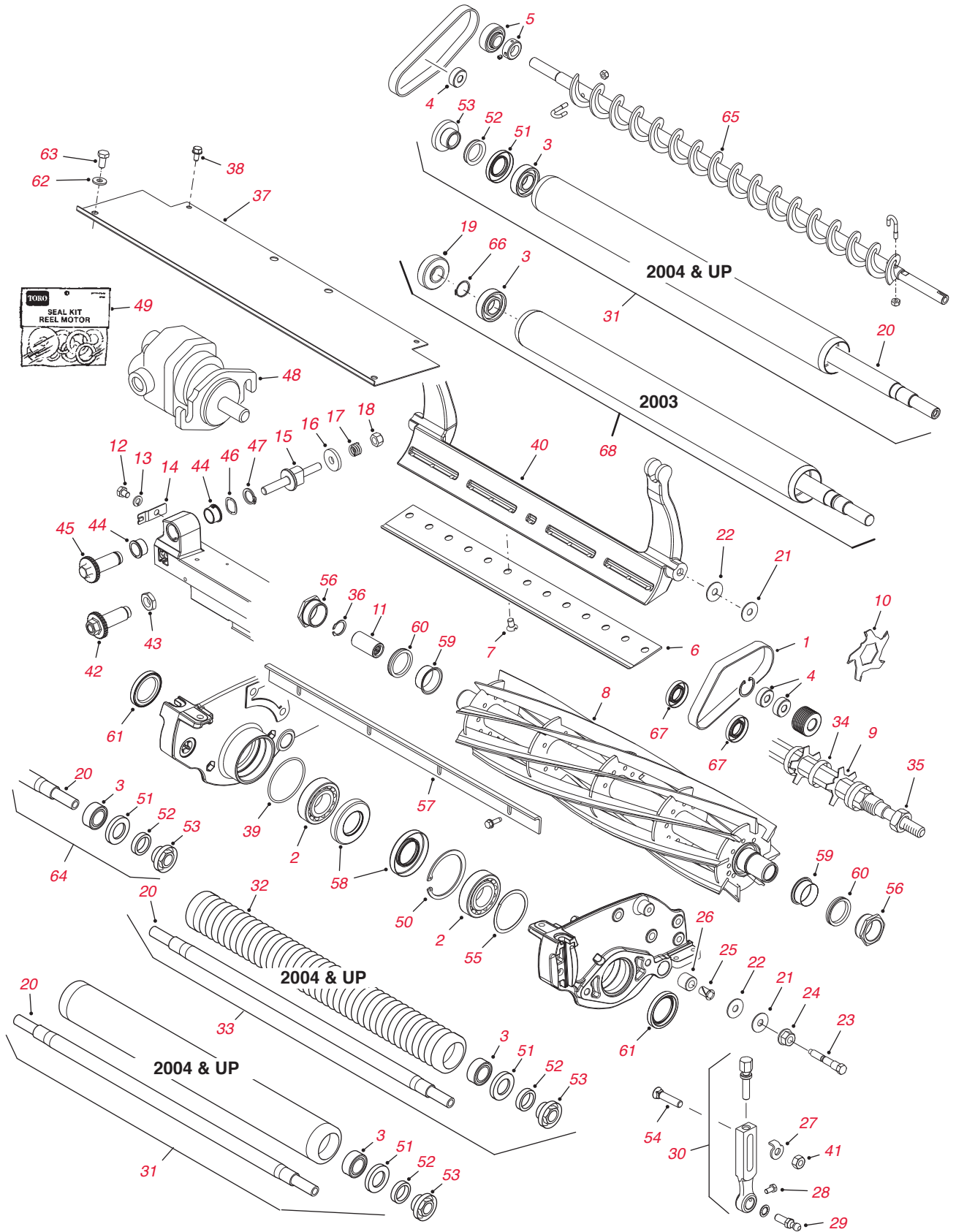
DPA Cutting Unit Parts

Ref. No.	Part No.	Description	Qty.	Sale Price
1	104-4705	ORDER 120-2763	1	
1	120-2763	BELT - GROOMER DRIVE (DPA CUTTING UNITS)	1	
1	105-5720	V-BELT, POLY (GR3150/3250)	1	
2	93-2489	BEARING - REEL	2	
3	251-347	BEARING	2	
4	251-259	BEARING - BALL (GROOMER & REAR ROLLER BRUSH IDLER)	3	
	104-1842	ORDER 132-6979		
5	132-6979	BEARING - BALL	2	
*	106-2630	IDLER BEARING ASM	1	
6	63-8600	BEDKNIFE - FAIRWAY- CUT	1	
6	112-7475	BEDKNIFE - FAIRWAY-CUT - EDGEMAX	1	
6	93-4262	BEDKNIFE - MICRO CUT	1	
6	115-1880	BEDKNIFE - MICRO CUT - EDGEMAX	1	
6	93-4263	BEDKNIFE - TOURNAMENT-CUT	1	
6	115-1881	BEDKNIFE - TOURNAMENT CUT - EDGEMAX	1	
6	93-4264	BEDKNIFE - LOW-CUT	1	
6	94-6392	BEDKNIFE - HIGH-CUT	1	
7	57-4910	ORDER 119-4151	13	
7	119-4151	BEDKNIFE SCREW	13	
7	106-2626	ORDER 131-2013		
8	131-2013	REEL - 5 BLADE (5" DIA - GR 3050/3100/3150/3250D)	1	
	107-9522	ORDER 131-2014		
8	131-2014	REEL - HD 8 BLADE (5" DIA - GR 3050/3100/3150/3250D)	1	
8	132-7340	EDGESERIES REEL - 8 BLADE (5" DIA - GR 3050/3120/3150/3250)	1	
	105-5792	ORDER 127-2194		
8	127-2194	REEL - 11 BLADE (5" DIA - GR 3050/3100/3150/3250D)	1	
8	132-7341	EDGESERIES REEL - 11 BLADE (5" DIA - GR 3050/3120/3150/3250)	1	
	115-5370	ORDER 127-2195		
8	127-2195	REEL - 14 BLADE (5" DIA - GR 3050/3100/3150/3250D)	1	
8	132-7342	EDGESERIES REEL - 14 BLADE (5" DIA - GR 3050/3120/3150/3250)	1	
9	95-5719	BLADE - GROOMER	41	
9	110-2333	BLADE - GROOMER, HELIX	41	
	110-2393	ORDER 121-9531	41	
	110-2343	ORDER 121-9531	41	
10	121-9531	BLADE, GROOMER (CARBIDE TIPPED)	41	
11	94-4507	COUPLER - SPLINED	1	
12	33114-010	SCREW	2	
13	3255-8	LOCK WASHER	2	
14	99-2097	DETENT	2	
15	99-2096	SCREW - ADJUSTER	2	
16	99-2098	WASHER	2	
17	99-3755	ORDER 119-4156	2	
17	119-4156	SPRING - COMPRESSION	2	
18	33025-00	NUT - LOCK	2	
19	99-3842	SEAL - OIL	2	
20	106-6940	ORDER 119-4090	1	
20	119-4090	SHAFT - ROLLER	1	
21	52-2900	WASHER	4	
22	52-2860	WASHER	4	
23	65-6270	ORDER 119-4050		
23	119-4050	BOLT - BEDBAR	2	
24	32128-48	NUT - FLANGE	2	
25	52-2890	BUSHING - NYLON	2	
26	63-9510	BUSHING	2	
27	104-2603	ORDER 119-4158	2	
27	119-4158	WASHER - HOC	2	
28	33113-012	SCREW - SQ HEAD SET	2	
29	94-2958	STUD - BALL	2	
30	99-3781	ORDER 110-7351	2	
30	110-7351	ARM - HOC (2003)	2	
30	107-3502	ORDER 110-7350	2	
30	110-7350	BRACKET KIT (2004 & UP)	1	
31	106-6945	ORDER 120-9595	1	
31	120-9595	FULL ROLLER ASSEMBLY	1	

*Not illustrated. **See pages 18-34 for Kit contents.

RIDING GREENMASTERS

GREENMASTER® DPA (DUAL POINT ADJUST)



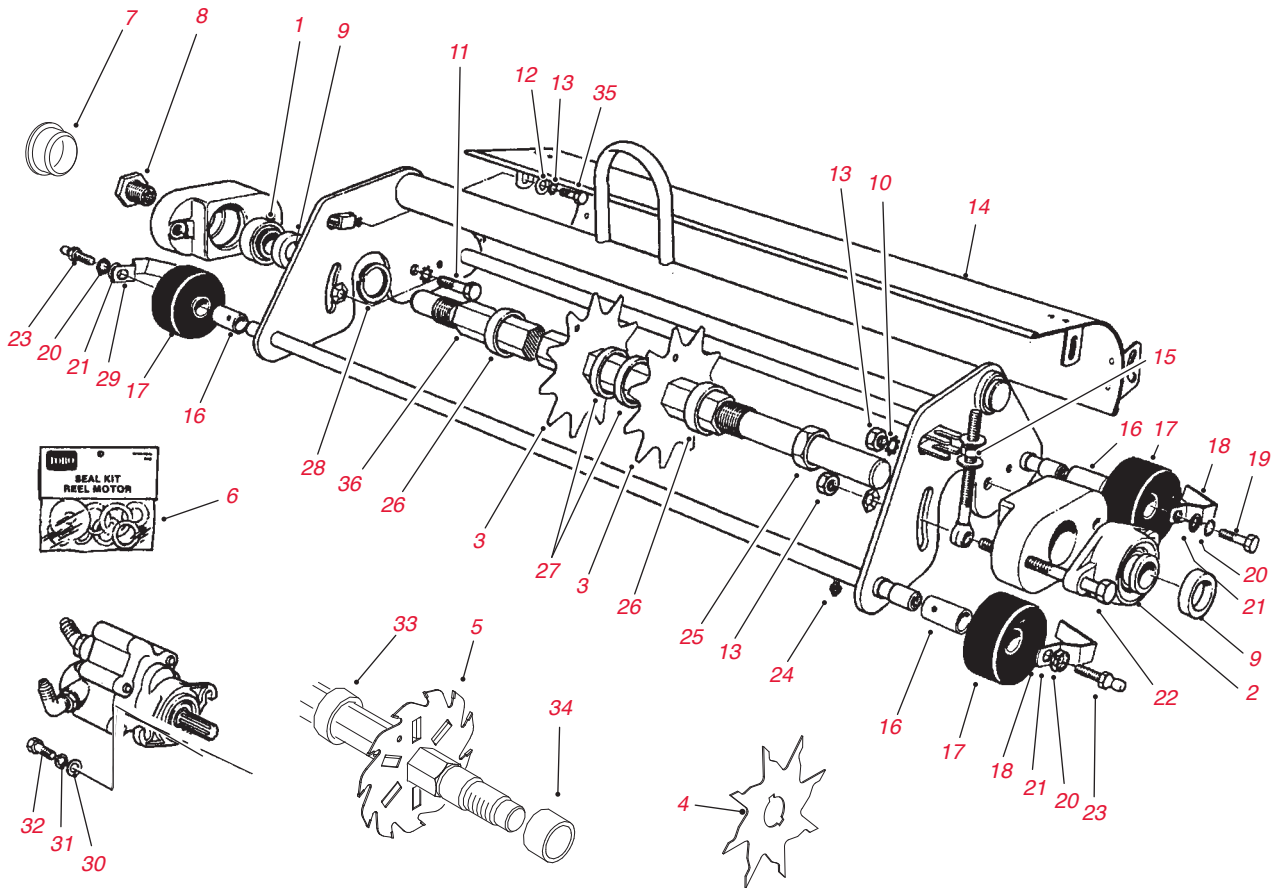
DPA Cutting Unit Parts - continued

Ref. No.	Part No.	Description	Qty.	Sale Price
*	107-1594**	Roller Rebuild MVP Kit (2004 & Up)	A/R	
32	106-6944	ORDER 115-7360	1	
32	106-6948	ORDER 115-7386	1	
32	104-0540	WIEHLE ROLLER TUBE (0.20" SPACING)	1	
33	107-9037	ORDER 115-7360	1	
33	115-7360	WIEHLE ROLLER ASSEMBLY (0.20" SPACING)		
33	107-9038	ORDER 115-7386	1	
33	115-7386	WIEHLE ROLLER ASSEMBLY (0.93" SPACING)		
*	107-1594**	Roller Rebuild MVP Kit (2004 & Up)	A/R	
34	70-1350	SPACER - GROOMER	84	
35	3296-60	NUT - LOCK	2	
36	105-5775	RING - RETAINING	1	
37	106-2600-01	SHIELD - GRASS	1	
38	104-2628	SCREW - HEX WASHER HD	8	
39	106-2607	SEAL - O-RING	1	
40	106-2648-01	BEDBAR	1	
41	106-4668	NUT - LOCK	2	
42	106-6921	ORDER 114-4634	2	
43	106-5336	NUT - JAM (2003)	2	
44	106-5344	BUSHING - KEYED FLANGE	4	
45	114-4634	ADJUSTER (2003)	2	
45	106-5363	ADJUSTER (2004 & UP)	2	
47	32120-93	RING - RETAINING	2	
48	100-6426	ORDER 112-9200	1	
48	108-6487	ORDER 120-2072	1	
48	120-2072	HYDRAULIC MOTOR ASSEMBLY (GR 3050D 2003-05)	1	
48	105-9770	REEL MOTOR ASSEMBLY (GR 3100 03 & UP)	1	
49	106-6362	SEAL KIT (FOR REEL MOTOR 105-9770)	1	
50	106-6914	RING - RETAINING	1	
51	106-6941	SEAL	2	
52	106-6942	V-RING	2	
53	108-3151	NUT - BEARING LOCK	2	
54	105-5342	BOLT - CARRIAGE	2	
55	105-5700	WASHER - WAVE	1	
56	105-5706	NUT - BEARING LOCKING	2	
57	106-6924-03	ORDER 115-3303-03	1	
57	115-3303-03	BAR - CUTOFF	1	
57	106-6926	SEAL - GREASE	2	
*	106-6937**	DPA Reel Seal Kit	A/R	
59	106-6927	SLEEVE	2	
60	106-6929	SEAL - V-RING	2	
61	253-134	SEAL - GREASE	2	
62	3256-2	WASHER - FLAT	2	
63	33114-016	SCREW - HEX HD.	2	
64	108-8625	ROLLER SHAFT REPLACEMENT KIT	1	
65	104-1829	ORDER 105-6792	1	
65	105-6792	REPLACEMENT REAR ROLLER BRUSH	1	
*	104-1834	IDLER BEARING ASM - REAR ROLLER BRUSH ASM	1	
*	106-9627**	Rear Roller Brush Rebuild MVP Kit	A/R	
66	32120-15	RING - RETAINING	2	
67	106-8530	SEAL (GROOMER SHAFT)	1	
68	105-5776	ORDER 120-9595	1	
68	106-6945	ORDER 120-9595	1	
68	120-9595	REAR FULL ROLLER ASSEMBLY		
*	107-1595**	Roller Rebuild MVP Kit (2003)	A/R	
*	108-6543	PULL FRAME ASSEMBLY	1	
*	105-5722	PULLEY-DRIVER, ROLLER BRUSH ASM (GR 3250)	1	
*	106-8535	RH LIFT ARM ASM, RIGHT HAND GROOMER ASN (GR 3050/3150/3250D)	1	
*	106-6917	PULLEY-DRIVEN, RH ROLLER BRUSH ASM (GR 3150/3250)	1	

*Not illustrated. **See pages 18-34 for Kit contents.

RIDING GREENMASTERS

VERTICAL CUTTER ASSEMBLY



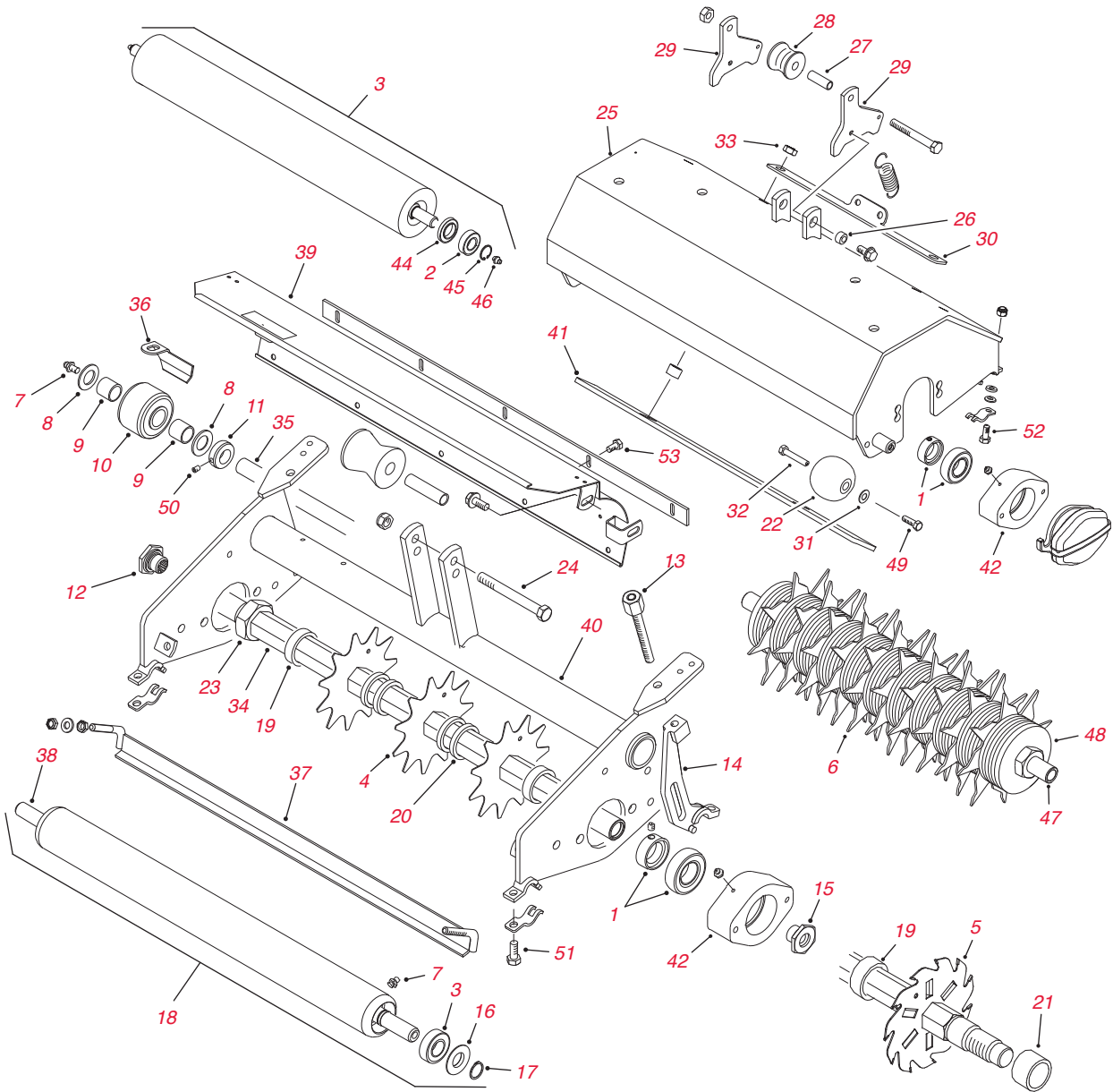
Vertical Cutter Assembly

Ref. No.	Part No.	Description	Qty.	Sale Price
1	251-206	BEARING W/COLLAR	1	
2	251-247	BEARING	1	
3	17-1590	DETHATCHING BLADE (STD)	A/R	
4	20-7380-01	SPIKER BLADE	10	
5	106-5422	BLADE - DETHATCHING REEL (1MM CARBIDE TIPPED)	A/R	
5	106-6355	BLADE - DETHATCHING REEL (2MM CARBIDE TIPPED)	A/R	
*	106-6392**	DETHATCHING REEL BLADE MVP KIT (108 BLADES 106-6355)	A/R	
6	72-4380	ORDER 92-8863	1	
6	75-1270	ORDER 92-8863	1	
6	92-8863	SEAL KIT	1	
7	2410-30	CAP - PLASTIC	1	
8	10-5100	ORDER 93-1394	1	
8	93-1394	SPLINE NUT	1	
9	251-77	BEARING LOCK	2	
10	324-6	CAP SCREW	2	
11	3256-22	WASHER	4	
12	3255-7	LOCK WASHER	4	
13	3217-8	NUT	2	
14	17-1530	SHIELD	1	
15	3217-7	NUT	2	
16	17-1620	WHEEL BUSHING	4	
17	17-1630	RUBBER WHEEL	4	
18	17-1640	SCRAPER	2	
19	3211-3	ORDER 3211-40	2	
19	3211-40	CAP SCREW	2	
20	3254-6	LOCK WASHER	4	
21	3256-3	WASHER	4	
22	324-13	CAP SCREW	2	
23	2411-7	ORDER 94-2958	2	
23	94-2958	STUD - BALL	2	
24	302-5	GREASE FITTING	4	
25	3220-18	JAM NUT	2	
26	17-1580	SPACER	2	
27	17-1600	SPACER	72	
29	17-1650	SCRAPER	2	
30	3256-24	WASHER	2	
31	3255-9	LOCK WASHER	2	
32	323-6	CAP SCREW	2	
33	82-6600	SPACER - WIDE	2	
34	17-1580	SPACER - NARROW	35	
35	329-1	SCREW - CAP HEX HD	4	

*Not illustrated. **See pages 18-34 for Kit contents.

RIDING GREENMASTERS

DETHATCHER / TRI-ROLLER / SPIKER ASSEMBLIES



RIDING GREENSMASTERS

DETHATCHER / TRI-ROLLER / SPIKER ASSEMBLIES

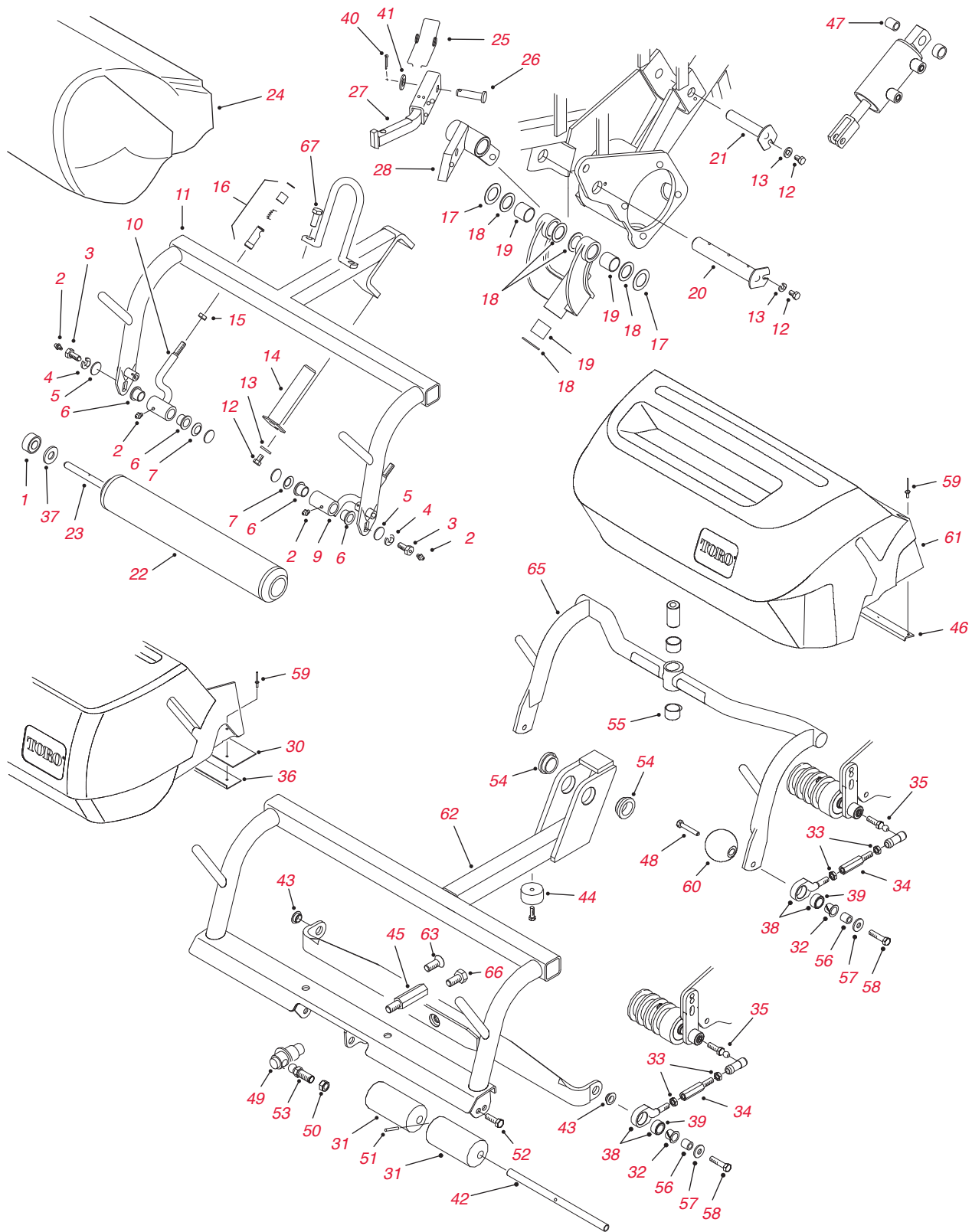
Dethatcher/Tri-Roller/Spiker Assemblies

Ref. No.	Part No.	Description	Qty.	Sale Price
1	94-3405	BEARING ASSEMBLY	2	
2	93-2559	BEARING	2	
3	85-9970	BEARING	2	
4	17-1590	BLADE - 11 TOOTH (STD)	37	
5	106-5422	BLADE - DETHATCHING REEL (1MM CARBIDE TIPPED)	37	
5	106-6355	BLADE - DETHATCHING REEL (2MM CARBIDE TIPPED)	37	
*	106-6392**	Dethatching Reel Blade MVP Kit (108 Blades 106-6355)	A/R	
6	99-1612	BLADE - SPIKER REEL	10	
7	302-5	FITTING - GREASE	4	
8	257-11	WASHER - THRUST	4	
9	95-7497	BUSHING - WHEEL	4	
10	94-9211	WHEEL ASSEMBLY	2	
11	94-9213	COLLAR - SHAFT (WITH SET SCREW)	2	
12	93-1394	NUT - SPLINED RH	1	
13	95-1633	ADJUSTER - HEIGHT-OF-CUT	2	
14	95-1638	BRACKET - HEIGHT-OF-CUT	2	
15	94-9214	NUT - SPLINED LH	1	
16	85-7190	WASHER - SHIELD	2	
17	32151-12	RING - RETAINING	2	
18	95-5943	ROLLER ASSEMBLY	1	
*	107-1593**	Dethatcher Roller Rebuild MVP Kit	A/R	
19	17-1580	Spacer	A/R	
20	17-1600	SPACER	72	
21	82-6600	SPACER - WIDE	2	
22	99-4210	ROLLER - ANTI-SCALP (SPIKER/TRI-ROLLER)	2	
23	67-5840	NUT - LOCK	2	
24	33115-080	SCREW - HEX HD	1	
25	100-6443-01	FRAME - SPIKER	1	
26	100-6447	TUBE - SPACER	2	
27	100-6448	SPACER - ROLLER	1	
28	100-6449	ROLLER - LIFT	1	
29	100-6446-01	PLATE - PIVOT	2	
30	100-9818-01	PLATE - SPRING MOUNT	1	
31	3256-45	WASHER - FLAT	4	
32	99-4209	SHAFT - ROLLER (SPIKER/TRI-ROLLER)	2	
33	33026-00	NUT - LOCK	2	
34	94-9202	SHAFT - DETHATCHER	1	
35	94-9210	SHAFT - REAR ROLLER	1	
36	94-9219	SCRAPER - RIGHT REAR ROLLER	1	
*	94-9220	SCRAPER - LEFT REAR ROLLER	1	
37	94-9226	SCRAPER - FRONT ROLLER	1	
38	95-5946	SHAFT - FRONT ROLLER	1	
39	98-3551	SHIELD - GRASS	1	
40	98-3587-01	DETHATCHER FRAME ASSEMBLY	1	
41	99-1637-01	PLATE - ROLLER SCRAPER (SPIKER/TRI-ROLLER)	1	
42	95-7148	HOUSING - BEARING	2	
43	99-1615	REAR ROLLER ASSEMBLY (SPIKER/TRI-ROLLER)	1	
44	98-2194	SEAL - GREASE	2	
45	93-2525	RING - RETAINING	2	
46	302-5	FITTING - GREASE	2	
47	99-1611	SHAFT - SPIKER REEL	1	
48	99-1613	SPACER - SPIKER REEL	73	
49	323-5	SCREW - HEX HD. (SPIKER/TRI-ROLLER)	2	
50	3245-1	SCREW - SET	2	
51	33114-016	SCREW HEX HD	2	
52	33114-025	SCREW HEX HD	2	
53	104-2065	SCREW HEX HD	5	

*Not illustrated. **See pages 18-34 for Kit contents.

RIDING GREENMASTERS

CARRIER FRAME & LIFT PIVOT PARTS



RIDING GREENSMASTERS

CARRIER FRAME & LIFT PIVOT PARTS

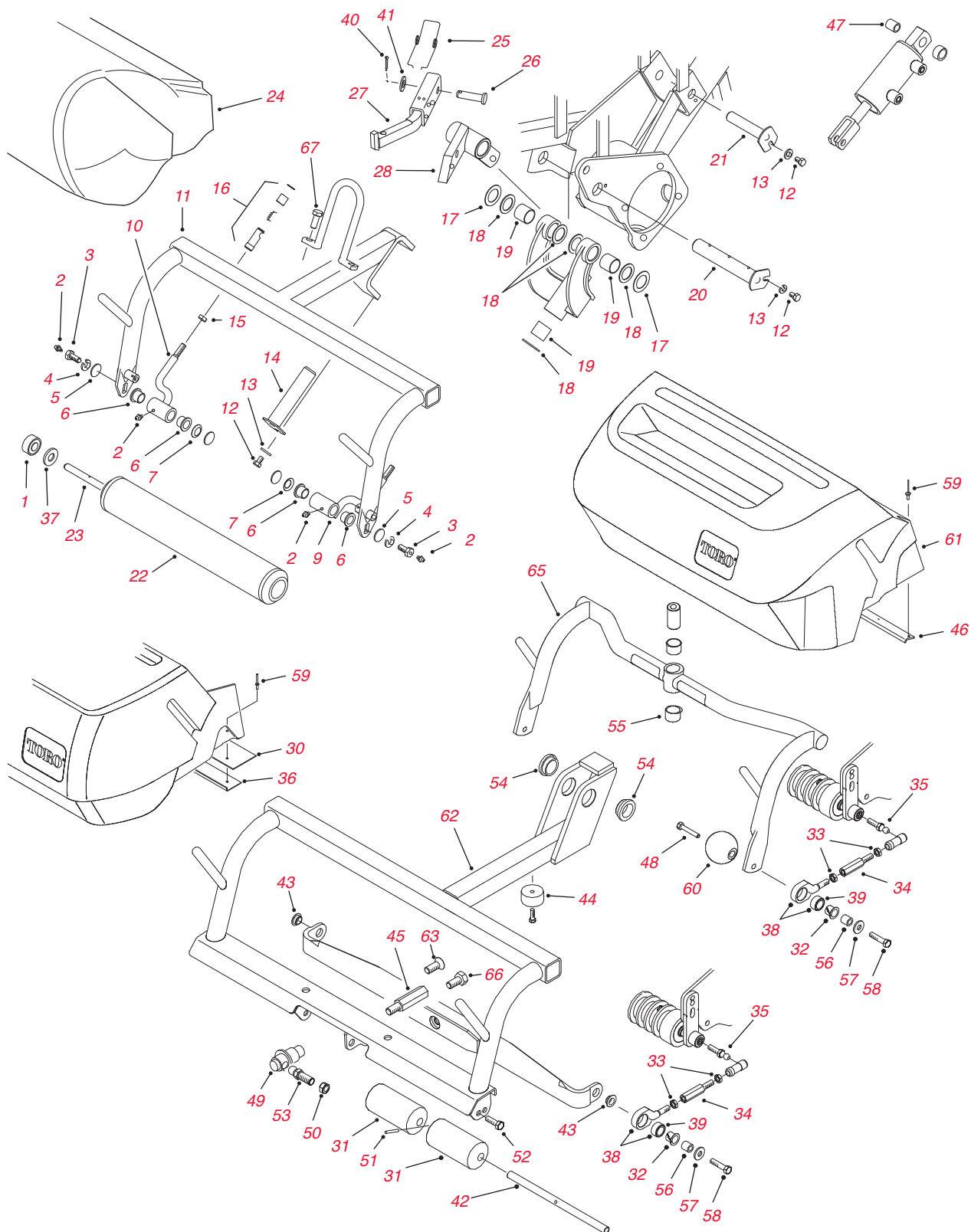
Carrier Frame & Lift Pivot Parts

Ref. No.	Part No.	Description	Qty.	Sale Price
1	251-141	BEARING	2	
2	302-5	GREASE FITTING	4	
3	11-0160	SCREW	2	
4	3253-21	LOCK WASHER	2	
5	3256-24	WASHER	2	
6	3-1506	BUSHING	4	
7	3290-317	WASHER	2	
9	52-2740	ORDER 92-0586	1	
9	92-0586	PULL ARM LH (1984 & UP)	1	
10	52-2750	ORDER 92-0585	1	
10	92-0585	PULL ARM RH (1984 & UP)	1	
11	86-9810-01	PULL FRAME LH (3000 1989-94)	1	
11	104-2056	PULL FRAME RH & CENTER (3000 1989-94)	1	
11	104-2054	PULL FRAME LH (3000/3050/3100/3150 1995 -2006)	1	
11	104-2055	PULL FRAME RH (3000/3050/3100/3150 1995 - 2006)	1	
11	104-2056	PULL FRAME CENTER (3000/3050/3100 1995-06)	1	
11	112-0284	ORDER 117-9541		
11	117-9541	REAR PULL FRAME (3000/3050/3150 2007-2009)	1	
11	105-0451	PULL FRAME CENTER (3050/3100/3050 2003 & UP)	1	
12	322-1	SCREW - CAP HEX HD (FOR 10-6110/27-2550/115-3260 PINS)	3	
12	32144-14	SCREW - CAP HEX HD (FOR 94-8198 PIN)	3	
13	3253-4	LOCK WASHER	3	
14	10-6090	PIVOT PIN	1	
15	3220-3	NUT	2	
16	8-7710	ORDER 99-1460	2	
16	94-2959	ORDER 99-1460	2	
16	99-1460	BALL JOINT RECEIVER ASSY.	2	
17	5-1226	WASHER - SHIM	2	
18	10-8110	PIVOT PIN WASHER	6	
19	3-0348	ORDER 125-5196	4	
19	125-5196	BUSHING	4	
20	10-6110	ORDER 115-3259	1	
20	114-4683	ORDER 115-3259	1	
20	115-3259	PIN - HINGE (GR 3/300/3000/3050/3100 RH & LH)	1	
20	27-2550	ORDER 115-3260	1	
20	115-3260	PIN - HINGE (GR 3/300/3000/3050/3100/3150 CTR/REAR)	1	
20	94-8198	PIN - HINGE (GR 3200 SERIES RH/LH)	1	
21	10-6060	ORDER 120-1640	1	
21	120-1640	PIN - CYLINDER	1	
22	52-2720	ORDER 133-2337	1	
22	133-2337	ROLLER ASSEMBLY	1	
23	21-8470	SHAFT	1	
24	37-8130	ORDER 36-7250	1	
24	36-7250	GRASS BASKET	1	
25	57-7650	SPRING - TORSION	3	
26	57-7630	ORDER 63-8750	3	
26	63-8750	PIN - PIVOT	3	
27	62-2390-01	BAR - LIFT (LH)	1	
27	62-2420-01	BAR - LIFT (RH & CTR)	1	
27	94-5586-01	BAR - LIFT (LH 3000/3100/3050)	1	
27	94-5588-01	BAR - LIFT (RH 3000/3100/3050)	1	

*Not illustrated. **See pages 18-34 for Kit contents.

RIDING GREENMASTERS

CARRIER FRAME & LIFT PIVOT PARTS



RIDING GREENSMASTERS

CARRIER FRAME & LIFT PIVOT PARTS

Carrier Frame & Lift Pivot Parts - continued

Ref. No.	Part No.	Description	Qty.	Sale Price
28	62-2440	LIFT ARM (RH) (INCL #19)	1	
28	62-2460	LIFT ARM (LH) (INCL #19)	1	
28	68-5380	LIFT ARM (CTR) (INCL #19)	1	
30	93-2551	SEAL - BASKET	3	
31	93-2362	ORDER 104-2091	3	
31	104-2091	ROLLER - ANTI SCALP (3200)	3	
32	256-292	BUSHING - FLANGE	6	
33	3220-3	NUT - JAM	12	
34	88-6870	EXTENSION - PULL ARM	6	
35	99-4270	EXTENSION - PULL ARM (GR 3250D 2004 & UP)	6	
35	94-2958	BALL STUD	6	
36	95-2903	ANGLE - BASKET	1	
37	253-83	SEAL - ROLLER	2	
38	100-6440	PULL LINK AND BUSHING ASSEMBLY	2	
39	95-0532	BUSHING - RUBBER	2	
40	3272-12	PIN - COTTER	3	
41	3256-26	WASHER - FLAT	3	
42	93-2363	ORDER 104-2078	2	
42	104-2078	SHAFT - ROLLER (3200)	2	
43	93-2368	BUSHING - FLANGE	2	
44	94-4548	BUMPER - RECESSED	1	
45	98-0632	ADAPTOR - PULL LINK	1	
46	104-2607	STRIP - BASKET	1	
47	105-3838	SPACER - LIFT CYLINDER (GR 3250)	2	
48	99-4209	SHAFT - ROLLER (GR 3250)	2	
49	94-9647	ORDER 104-7719	3	
49	104-7719	BALL JOINT (3200)	3	
50	3296-19	NUT - HEX	3	
51	32121-6	PIN - ROLL SLOTTED	4	
52	3211-2	SCREW - HEX HD.	4	
53	94-9648	BALL STUD	3	
54	94-9610	BUSHING - FLANGE	2	
55	98-4166	BUSHING - SLEEVE	2	
56	75-5270	SPACER	2	
57	80-6990	WASHER - HARDENED	2	
58	323-8	SCREW - HEX HD.	2	
59	3290-382	RIVET - POP	8	
60	99-4210	ROLLER - ANTI SCALP	6	
61	99-4105	ORDER 104-2071	3	
61	104-2071	GRASS BASKET ASSEMBLY (GR 3250D)	3	
62	99-1454	PULL FRAME - LH (GR 3200/3200D 1998 & UP)	1	
62	99-1453	PULL FRAME - CENTER (GR 3200/3200D 1998 & UP)	1	
63	98-2178	SCREW - FLAT HD.	1	
65	99-4114	PULL FRAME (GR 3250D)	3	
66	3213-1	SCREW - HEX HD.	1	
67	33115-025	SCREW - HEX HD.	2	

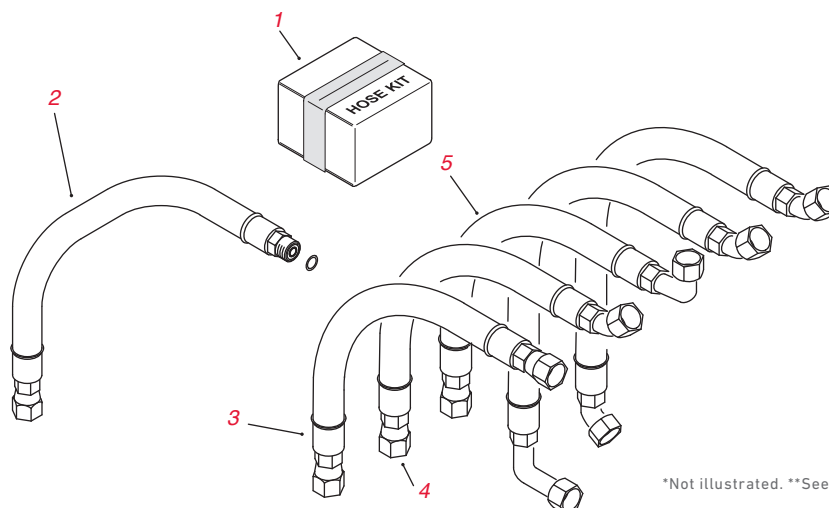
*Not illustrated. **See pages 18-34 for Kit contents.

RIDING GREENMASTERS

HYDRAULIC HOSES

Hydraulic Hoses

Ref. No.	Part No.	Description	Qty.	Sale Price
1	98-0642**	Cutting Unit Hydraulic Hose MVP Kit (3000/3050/3100)	1	
1	117-2725**	Cutting Unit Hydraulic Hose MVP Kit (3150 2006 & Up)	1	
1	117-2721**	Cutting Unit Hydraulic Hose MVP Kit (3250 2006 & Up)	1	
2	63-3850	HOSE ASSEMBLY (GR 3000/3100) LH Cylinder Drop	1	
2	63-3890	HOSE ASSEMBLY (GR 3000) LH Cylinder Lift Rear Cylinder Lift	2	
2	83-1690	HOSE ASSEMBLY (GR 3050/3100) LH Cylinder Lift	1	
2	92-9767	HOSE ASSEMBLY (GR 3000/3100) RH Cylinder Lift	1	
2	95-5984	HOSE ASSEMBLY (GR 3000/3100) RH Reel Pressure	1	
2	95-5988	HOSE ASSEMBLY (GR 3100) LH Reel Pressure	1	
3	10-7640	HOSE ASSEMBLY (GR 3) RH Reel Return	1	
3	10-7670	HOSE ASSEMBLY (GR 3/300) LH Reel Return	1	
3	27-2060	HOSE ASSEMBLY (GR 3/300) Rear Reel Return	1	
3	63-3830	ORDER 95-5989	1	
3	83-1350	HOSE ASSEMBLY (GR 3100) Power Steering Right Turn	1	
3	83-1360	HOSE ASSEMBLY (GR 3100) Power Steering Left Turn	1	
3	93-2258	HOSE ASSEMBLY Rear Cylinder Lift (3200)	1	
3	95-2908	HOSE ASSEMBLY (GR 3150/3200/3250) Right and Left Reel Pressure	1	
3	95-5985	HOSE ASSEMBLY (GR 3100) RH Reel Return	1	
3	95-5987	HOSE ASSEMBLY (GR 3100) Rear Reel Return	1	
3	95-5989	HOSE ASSEMBLY (GR 3000/3100) LH Reel Return	1	
4	63-3930	HOSE ASSEMBLY (GR 3000) Rear Cylinder Drop	1	
4	63-3950	HOSE ASSEMBLY (GR 3000) RH Cylinder Drop	1	
4	95-5986	HOSE ASSEMBLY (GR 3100) Rear Reel Pressure	1	
5	83-1680	HOSE ASSEMBLY (GR 3050/3100) Rear Cylinder Drop	1	
5	93-2254	HOSE ASSEMBLY (GR 3200/3250) RH Cylinder Lift/Drop	1	
5	93-2255	HOSE ASSEMBLY (GR 3200/3250) LH Cylinder Lift	1	
5	93-2256	HOSE ASSEMBLY (GR 3200/3250) LH Cylinder Drop	1	
5	93-2264	HOSE ASSEMBLY (GR 3200/3250) Reel Motor Case Drain	1	
5	95-2907	HOSE ASSEMBLY (GR 3200/3250) Rear Reel Pressure	1	
5	95-2909	HOSE ASSEMBLY (GR 3150/3200/3250) Right and Left Reel Return	1	
5	94-1328	HOSE ASSEMBLY Rear Reel Motor Case Drain (3200)	1	
5	94-3477	HOSE ASSEMBLY Rear Cylinder Drop (3200)	1	



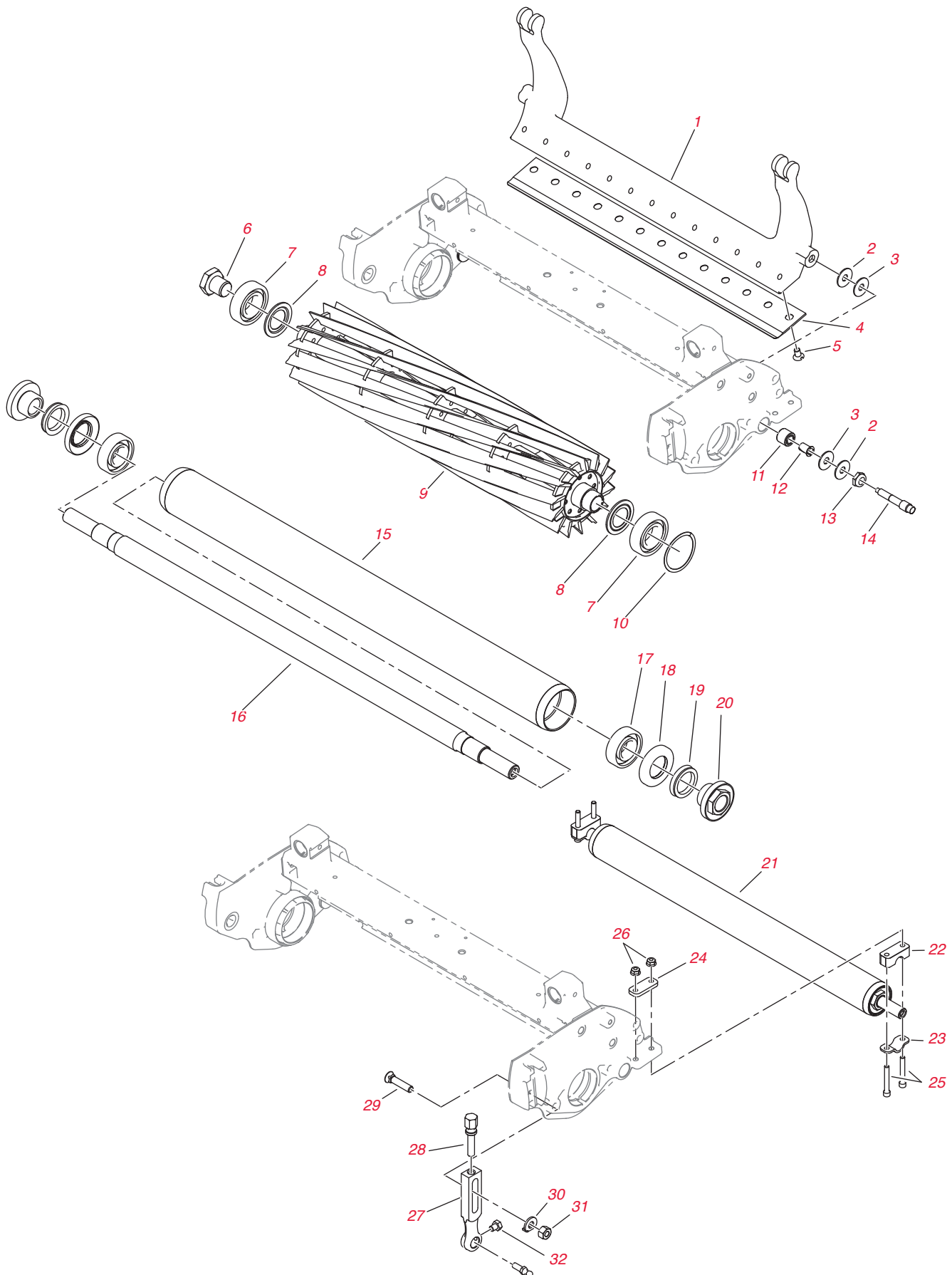
*Not illustrated. **See pages 18-34 for Kit contents.

TriFlex® & TriFlex Hybrid Traction Unit

	Part No.	Description	Qty.	Sale Price
FILTERS				
	110-9049	FILTER-SPIN ON (3400/3420)	1	
	108-3811	AIR FILTER (3400/3420)	1	
	108-5194	HYDRAULIC OIL FILTER	1	
	115-7854	FUEL FILTER, IN-LINE (3300/3320)	1	
	94-2690	FUEL FILTER (3300/3320)	1	
	115-8189	ENGINE OIL FILTER (3400/3420, 2014 & UP)	5	
	30042**	400 Hour Filter Kit (3300/3320)	A/R	
	30043**	400 Hour Filter Kit (3400/3420)	A/R	
BEARINGS				
	254-72	BEARING RACE - TAPERED CUP	2	
	254-94	BEARING ASSEMBLY - TAPERED CONE (2011-2013)	2	
	115-9471	ROLLER BEARING ASSEMBLY - TAPERED CUP	2	
	115-9472	ROLLER BEARING ASSEMBLY - TAPERED CONE	2	
	251-259	BALL BEARING ASSEMBLY - SEALED	1	
BELTS				
	119-4486	V-BELT	1	
	117-4464	V-BELT	1	
	105-5720	V-BELT, POLY	1	
STARTER & ALTERNATOR				
	117-5541	ALTERNATOR	1	
	110-3800	STARTER	1	
TIRES				
	117-9031	ORDER 120-2783	1	
	120-2783	TIRE (19 x 10.5-8) 4-PLY	1	
OTHER				
	104-4620	SEAT (STD)	1	
	125-1984	SPACER, TRACTION LINE ASM	5	

*Not illustrated. **See pages 18-34 for Kit contents.

RIDING GREENMASTERS
GREENMASTER® TRIFLEX® & TRIFLEX® HYBRID



TriFlex® & TriFlex Hybrid DPA Cutting Unit

Ref. No.	Part No.	Description	Qty.	Sale Price
1	106-2648-01	BEDBAR	1	
2	119-4150	WASHER-FLAT	4	
3	52-2900	WASHER-PLASTIC	4	
4	115-1881	BEDKNIFE-EDGEMAX, TOURNAMENT	1	
4	93-4262	BEDKNIFE-MICROCUT	1	
4	94-6392	BEDKNIFE-HIGHCUT	1	
4	93-4263	BEDKNIFE-TOURNAMENT CUT	1	
4	63-8600	BEDKNIFE-FAIRWAY	1	
4	108-4303	BEDKNIFE-MICROCUT, EXTENDED	1	
4	108-4302	BEDKNIFE-TOURNAMENT CUT, EXTENDED	1	
4	93-4264	BEDKNIFE-LOW CUT	1	
4	115-1880	BEDKNIFE-EDGEMAX, MICRO CUT	1	
	57-4910	ORDER 119-4151	13	
5	119-4151	SCREW-SPECIAL	13	
6	115-7263	SCREW-LOCK, BEARING	1	
7	115-3296	BEARING-SEALED	2	
8	115-3299	SEAL-FLOCKED	2	
	119-4103	ORDER 127-2200		
9	127-2200	REEL - 8 BLADE (5" DIA)	1	
9	132-7340	EDGESERIES REEL - 8 BLADE (5" DIA - GR 3300/3320/3400/3420)	1	
	119-4104	ORDER 127-2201		
9	127-2201	REEL - 11 BLADE (5" DIA)	1	
9	132-7341	EDGESERIES REEL - 11 BLADE (5" DIA - GR 3300/3320/3400/3420)	1	
	119-4105	ORDER 127-2202		
9	127-2202	REEL - 14 BLADE (5" DIA)	1	
9	132-7342	EDGESERIES REEL 14 BLADE - (5" DIA - GR 3300/3320/3400/3420)	1	
10	115-5258	SPRING-FLAT WIRE	1	
11	119-4153	RUBBER BUSHING ASM	2	
12	52-2890	BUSHING-NYLON	2	
13	119-4154	NUT-LOCK, NI	2	
14	117-9493	BOLT-BEDBAR	2	
15	119-4092	ROLLER TUBE ASM	1	
16	119-4090	SHAFT-ROLLER	1	
17	251-347	BEARING-BALL	2	
18	106-6941	SEAL	2	
19	106-6942	V-RING	2	
20	108-3151	NUT-LOCK, BEARING	2	
21	119-4093	REAR FULL ROLLER ASM	1	
22	119-4166	SPACER-HEIGHT, ROLLER	2	
23	119-4157	RETAINER-SHAFT	2	
24	119-4165	SHIM-HEIGHT, ROLLER	2	
25	119-4035	SCREW-HSH	4	
26	119-4040	NUT-FLANGE, NI	4	
27	115-7041	ARM-HOC	2	
28	110-7352	SCREW-HOC	2	
29	99-3773	BOLT-PLOW	2	
30	119-4158	WASHER-HOC	2	
31	115-7193	NUT-HOC	2	
32	119-4067	SCREW-HH	2	
*	105-6792	REPLACEMENT REAR ROLLER BRUSH	1	
*	104-1834	IDLER BEARING ASM - REAR ROLLER BRUSH ASM	1	

*Not illustrated. **See pages 18-34 for Kit contents.

REELMASTER®

146 Reelmaster® 216 / 2000D / 2300D / 2600D / 3100D
158 Reelmaster 335D / 3500D / 450D / 4000D / 4500D
166 Reelmaster 223D / 5100D / 5200D / 5300D / 5500D
174 Reelmaster 5210 / 5410 / 5510 / 5610

182 Reelmaster 6500D / 6700D
194 Reelmaster 7000D
200 Reelmaster 3550D



REELMASTERS

REELMASTER® 216 / 2000D / 2300D / 2600D / 3100D

Traction Unit Parts

Part No.	Description	Qty.	Sale Price
FILTERS			
85-4930	FILTER - ENGINE OIL (RM 216D, 2300D, 2600D)	1	
492932S	ORDER 107-7817	1	
107-7817	FILTER - ENGINE OIL (GP 2000)	1	
99-9017	ORDER 108-3842	1	
108-3842	FILTER - ENGINE OIL (GP 2000D/RM 2000D)	1	
98-9651	ORDER 108-3841	1	
99-8384	ORDER 108-3841	1	
104-5167	ORDER 108-3841	1	
108-3841	FILTER - ENGINE OIL (RM 3100D)	1	
98-9493	ELEMENT - BREATHER (RM 3100D)	1	
33-1300	ORDER 108-3808	1	
108-3808	ELEMENT - AIR CLEANER (RM 216D)	1	
93-2195	ORDER 108-3811	1	
108-3811	ELEMENT - AIR CLEANER (RM 2000D, 2300D, 2600D, 3100D)	1	
38-8000	ORDER 108-3854	1	
108-3854	FILTER - FUEL	1	
98-7612	FILTER - FUEL, PLASTIC (RM 3100)	1	
108-3828	FILTER - FUEL, METAL (RM 3100)	1	
63-8300	ELEMENT - SEPARATOR (GP 2000D/RM 2000D)	1	
98-9764	ELEMENT - SEPARATOR (RM 3100D 1999-2007)	1	
110-9049	ELEMENT - SEPARATOR (RM 3100D 2008 & UP)	1	
112-9140	BIO-DIESEL FUEL FILTER KIT (RM 3100D)	1	
112-7836	IN-LINE FUEL FILTER (BIO-DIESEL KIT RM3100D)	1	
110-9015	ELEMENT - SEPARATOR (BIO-DIESEL KIT RM 3100D)	1	
98-9305	WATER/FUEL FILTER ASSEMBLY (RM 3100D 1999-2007)	1	
54-0110	FILTER - HYDRAULIC OIL	1	
30016**	400 Hour Filter MVP Kit (RM 3100D - 1999-07)	A/R	
30053**	400 Hour Filter MVP Kit (RM 3100D - 2008 & Up)	A/R	
BELTS			
61-3390	BELT - JACKSHAFT DRIVE (RM216)	1	
61-3380	V-BELT - REEL DRIVE (RM 216)	1	
83-9020	V-BELT - COOLING FAN DRIVE (RM216D)	1	
99-3467	V-BELT - ALTERNATOR DRIVE (RM 3100D)	1	
92-3187	MULTI-ROW V-BELT - JACKSHAFT DRIVE (RM 216D)	3	
61-3400	MULTI-ROW V-BELT - PUMP DRIVE (RM216)	1	
93-6840	MULTI-ROW V-BELT - PUMP DRIVE (RM 2000D/2300D/2600D)	1	
95-8730	MULTI-ROW V-BELT - PUMP DRIVE (RM 3100D)	1	
TIRES			
119-3516	Tire - Front (& Rear 3Wd) (18 X 8.5 - 8) 4 Ply (216/216D)	A/R	
231-114	ORDER 231-122	1	
231-122	TIRE - REAR (18 X 6.5 - 8) 4 PLY (2WD) (216/216D)	1	
99-4506	TIRE - FRONT & REAR (20 X 10 - 8) 4-PLY TURF-MATE (2000 SER)	2	
104-0451	ORDER 117-5125	2	
117-5125	TIRE (20 X 12 - 10) 4-PLY TURF TRAC (3100D, 2010 MODEL)	1	
95-8656	Order 115-1572		
115-1572	TIRE (20 X 10 - 10) 4-PLY TURF TRAC (3100D, 2010 MODEL - CURRENT)	1	
BEARINGS			
See Quick Reference Guide for detailed information on bearing replacements for this model. Page 36-45			
94-3405	BEARING - BALL (RM216 JACKSHAFT)	2	
251-321	BEARING - REAR WHEEL	2	
251-8	BEARING - BALL	1	
251-259	BEARING - BALL (NEUTRAL ARM - 216/2300D/2600D/3100D)	1	
38-7820	BEARING - BALL (RM216 JACKSHAFT IDLER)	2	
251-77	BEARING COLLAR	2	

Traction Unit Parts - continued

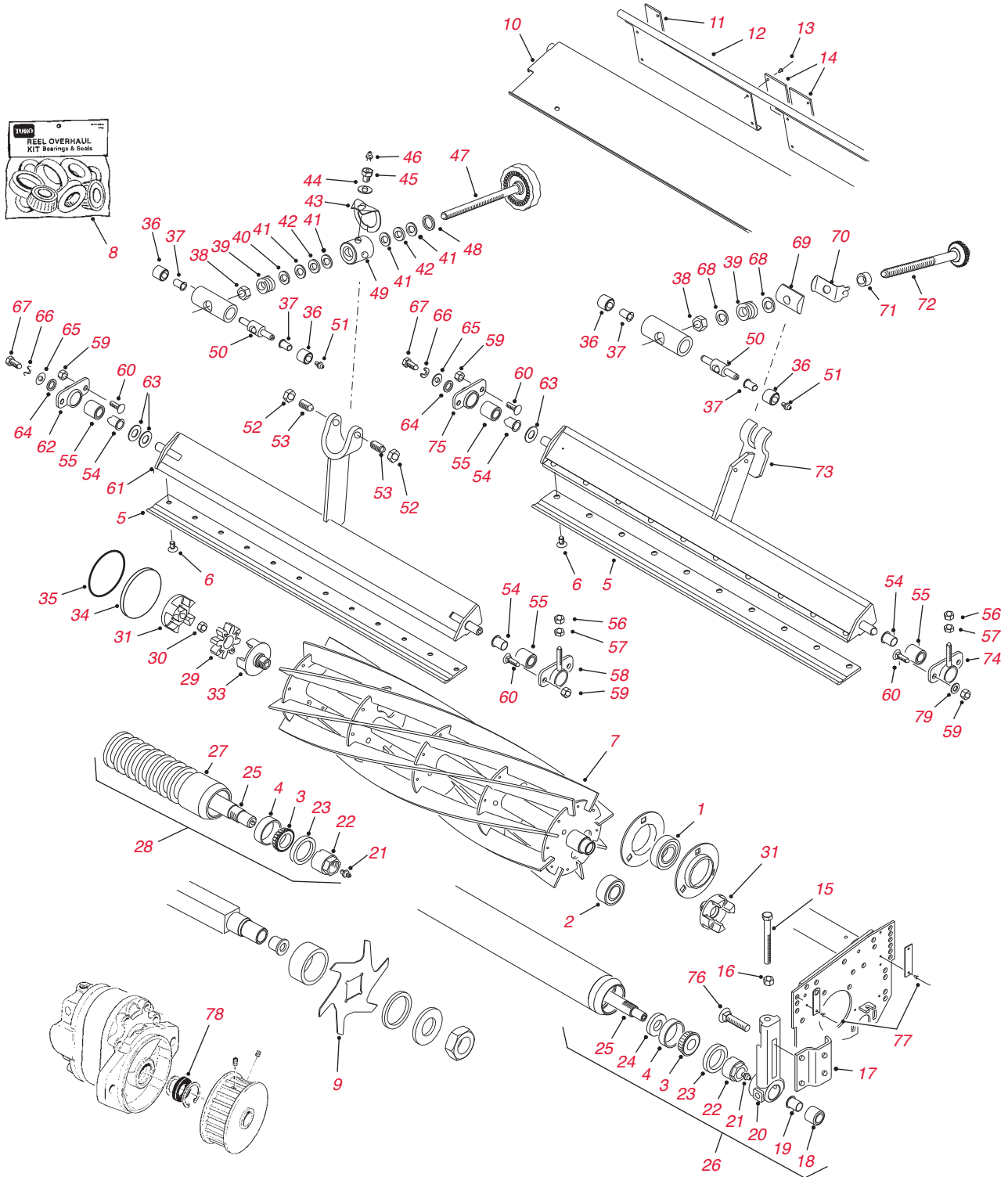
	Part No.	Description	Qty.	Sale Price
STARTER & ALTERNATOR				
	99-9207	ORDER 110-2598	1	
	110-2598	STARTER (RM 2000D)	1	
	98-9705	STARTER (RM 3100D)	1	
	99-9209	ALTERNATOR (RM 2000D)	1	
	131-6557	ALTERNATOR (RM 3100D)	1	
HYDRAULIC MOTOR				
	104-4890	PISTON PUMP ASM - HYDROSTAT (RM 3100D)	1	
	112-9916	HYDRAULIC CYLINDER ASM (RM 3100D)	1	
	110-8785	MOTOR - HYDRAULIC CCW (RM 3100D)	1	
	115-8250	GEAR MOTOR ASM (RM 3100D)	1	
	121-7856	STEERING ARM ASM (RM 3100D)	1	
	29-6162	SWITCH-MICRO (RM 216/3100D)	1	
	95-8802	PULLEY-IDLER, HYDROSTAT ASM	1	
	104-4840	TANK-HYD, HYDRAULIC TANK ASM	1	
	105-1214	HOSE-HYD, HYDROSTAT ASM (RM 3100D)	1	
	69-4320	FITTING-HYD, 90 DEG (RM 3100D)	1	
	95-8836	HOSE ASM, MOTOR ASM (RM 3100D)		
SEAT				
	104-4620	SEAT-STD (RM 2000D/3100D)	1	
	92-8991	ADJUSTER, SEAT ASM (RM 2000D/3100D)	1	
OTHER				
	105-1221	HOSE ASM, REAR FORK & TIRE ASM	1	
	105-1222	HOSE ASM, REAR FORK & TIRE ASM	1	
	107-7828	REAR CASTING ASM	1	
	95-8783	TUBE ASM, FRONT WHEEL & BRAKE ASSEMBLY (RM 3100D)	1	
	95-8784	TUBE ASM, FRONT WHEEL & BRAKE ASSEMBLY (RM 3100D)	1	
	104-4817	LEVER-BRAKE (RM 3100D)	1	
	104-0485-03	SHIELD-WHEEL (RM 3100D)	1	
	100-4929	SLOPE INDICATOR ASM (RM 3100D)	1	
	106-4154	FLOORPLATE ASM (RM 3100D)	1	
	104-4852-03	PEDAL-TRACTION, TRACTION PEDAL ASM (RM 3100D)	1	
	100-4815	CABLE-CONTROL, TRACTION (RM 3100D)	1	
	99-3623-03	ARM-IDLER	1	
	95-8982	TUBE ASM, REAR LIFT ARM	1	
	95-8981	TUBE ASM, REAR LIFT ARM	1	
	233-70	KNOB-STAR, BATTERY ASM (RM 3100D)	2	
	95-8934	RADIATOR (RM 3100D)	1	
	95-8689	SINGLE SPOOL CONTROL VALVE ASM (RM 3100D)	1	
	95-8575	PIN, CARRIER ASM (RM 3100D)	1	
	115-3475	REAR LIFT ARM ASM (RM 3100D)	1	
	104-0422	NEUTRAL ARM ASM (RM 2000D/3100D)	1	
	95-8990	SHAFT-PIVOT REAR, REAR LIFT ARM ASM (RM 3100D)	1	
	99-3478	TREAD-FOOT (RM 3100D), FRONT PLATFORM ASM	1	
	95-8724-03	SCREEN-HOOD (RM 3100D), HOOD ASSEMBLY	1	
	104-0462	HUB WHEEL, SPACER	1	
	95-8905-01	FORK - REAR (RM 3100D)	1	
	117-5129	REAR FOR AND TIRE ASM (RM 3100D)	1	
	70-9870	PLATE-BACKING	1	
	104-4809	DRUM-BRAKE	1	
	3274-105	SCREW-HSBH, FRONT WHEEL & BRAKE ASM	1	

*Not illustrated. **See pages 18-34 for Kit contents.

Prices subject to change without notice. NOTE: Please see your Parts Catalog or Master Parts Viewer to ensure ordering the correct part; the part needed may not be listed. **Not sold separately.

REELMASTERS

REELMASTER® 216 / 2000D / 2300D / 2600D / 3100D



SPA Cutting Unit Parts

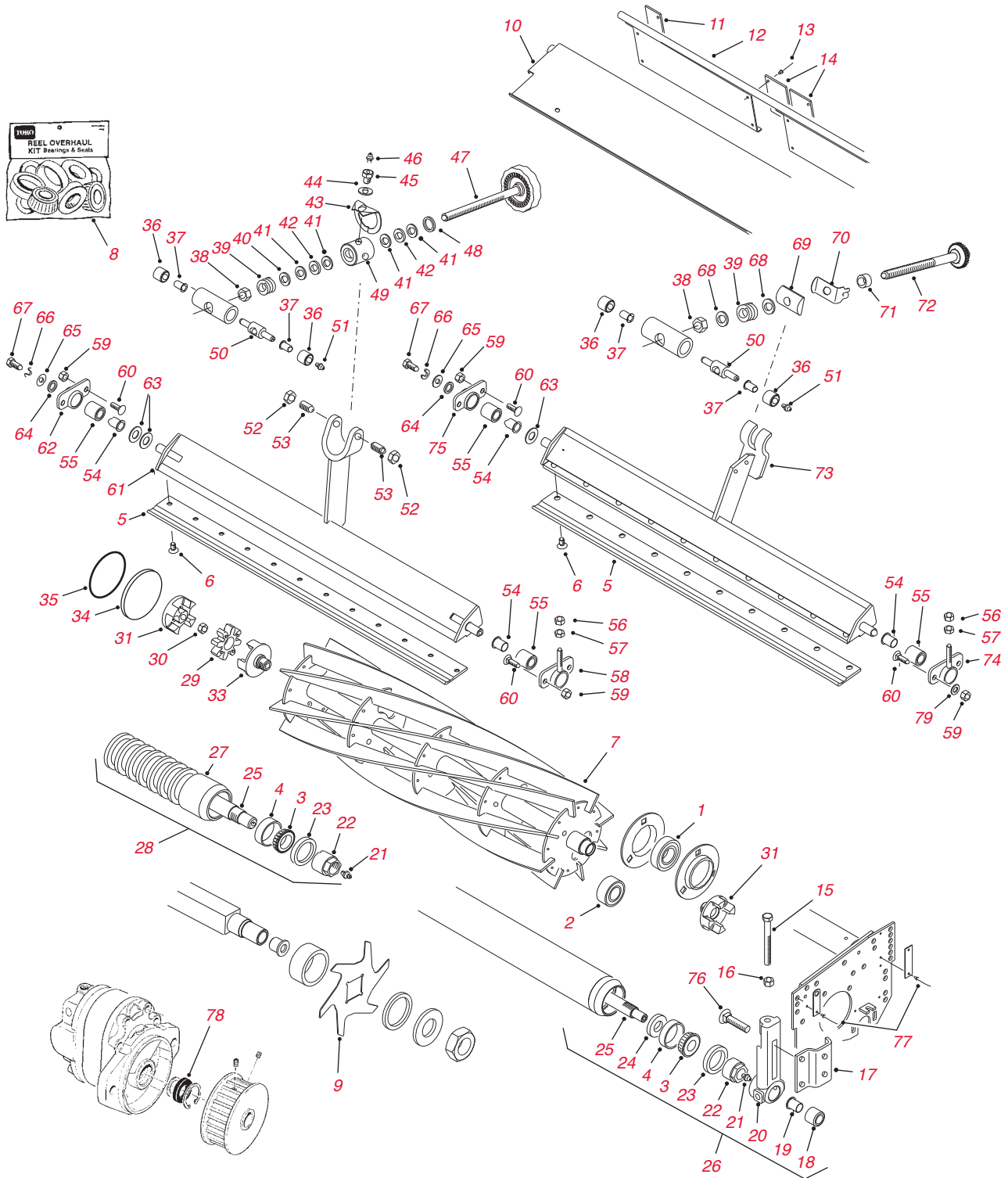
Ref. No.	Part No.	Description	Qty.	Sale Price
1	251-320	ORDER 71-1360	1	
1	71-1360	REEL BEARING (RM 216 1987-88)	2	
1	251-331	REEL BEARING (RM 216 1989 & UP)	2	
2	88-7880	BEARING - REEL (RM 2300D/2600D)	2	
2	100-4926	BEARING - REEL (RM 2000D/3000D)	2	
3	254-78	BEARING CONE	2	
4	254-79	BEARING CUP	2	
5	105-6785	BEDKNIFE - 27" LOW-CUT (11 BLADE)	1	
5	112-8910	BEDKNIFE - 27" FAIRWAY-CUT EXT. EDGEMAX		
5	104-1380	BEDKNIFE - 27" FAIRWAY-CUT	1	
5	104-1381	BEDKNIFE - 32" HIGH-CUT	1	
5	94-5079	BEDKNIFE - 32" LOW-CUT	1	
5	112-8956	BEDKNIFE - 32" FAIRWAY-CUT EXT. EDGEMAX	1	
	57-4910	ORDER 119-4151	10	
6	119-4151	BEDKNIFE SCREW	10	
	99-3482	ORDER 130-4119		
7	130-4119	REEL ASSEMBLY 5 BLADE (7" DIA - RM 2000D/2300D/3100D)	1	
	99-3483	ORDER 130-4123		
7	130-4123	REEL ASSEMBLY 8 BLADE (7" DIA - RM 2000D/2300D/3100D)	1	
	99-3484	ORDER 130-4132		
7	130-4132	REEL ASSEMBLY 5 BLADE (7" DIA - RM 2000D/2600D/3100D)	1	
	99-3485	ORDER 130-4136		
7	130-4136	REEL ASSEMBLY 8 BLADE (7" DIA - RM 2000D/2600D/3100D)	1	
	105-6768	ORDER 130-4127		
7	130-4127	REEL ASSEMBLY 11 BLADE (7" DIA - RM 2000D/2300D/3100D)	1	
8	13-3649**	Cutting Unit Overhaul MVP Kit (RM 216)	A/R	
10	94-3621	SHIELD - FRONT 27"	1	
10	94-5053	SHIELD - FRONT 32"	1	
11	61-3280	RUBBER COVER - SIDE	2	
12	94-4969	SHIELD - REAR (2600/3100)	1	
12	93-8849	SHIELD - GRASS (216/2300)	1	
13	700382	RIVET - POP	12	
14	61-3290	RUBBER COVER - CENTER	2	
15	323-57	ORDER 61-0790	4	
15	61-0790	SCREW - ADJUSTMENT	4	
16	3296-39	NUT - LOCK	2	
17	61-0910	BRACKET - HOC	2	
18	56-9510	BUSHING	6	
19	56-9520	FLANGED BUSHING	6	
20	61-0430-01	BRACKET - HOC REAR	4	
20	61-0440-01	ORDER 14-4489	4	
20	14-4479	BRACKET - HOC REAR (RM 3100) (INCL #18)	2	
20	14-4489	BRACKET - HOC FRONT (RM 3100) (INCL #18)	2	
21	302-5	GREASE FITTING	3	
22	71-3590	ADJUSTMENT NUT	2	
23	105-0150	SEAL - OUTER	2	
24	253-152	SEAL - INNER	2	
25	61-0400	ORDER 105-0156	1	
25	94-4983	ORDER 105-0158	1	
25	105-0156	SHAFT - ROLLER 27"	1	
25	105-0158	SHAFT - ROLLER 32"	1	
26	62-7100	ORDER 61-0410	1	

*Not illustrated. **See pages 18-34 for Kit contents.

Prices subject to change without notice. NOTE: Please see your Parts Catalog or Master Parts Viewer to ensure ordering the correct part; the part needed may not be listed. **Not sold separately.

REELMASTERS

REELMASTER® 216 / 2000D / 2300D / 2600D / 3100D



SPA Cutting Unit Parts - continued

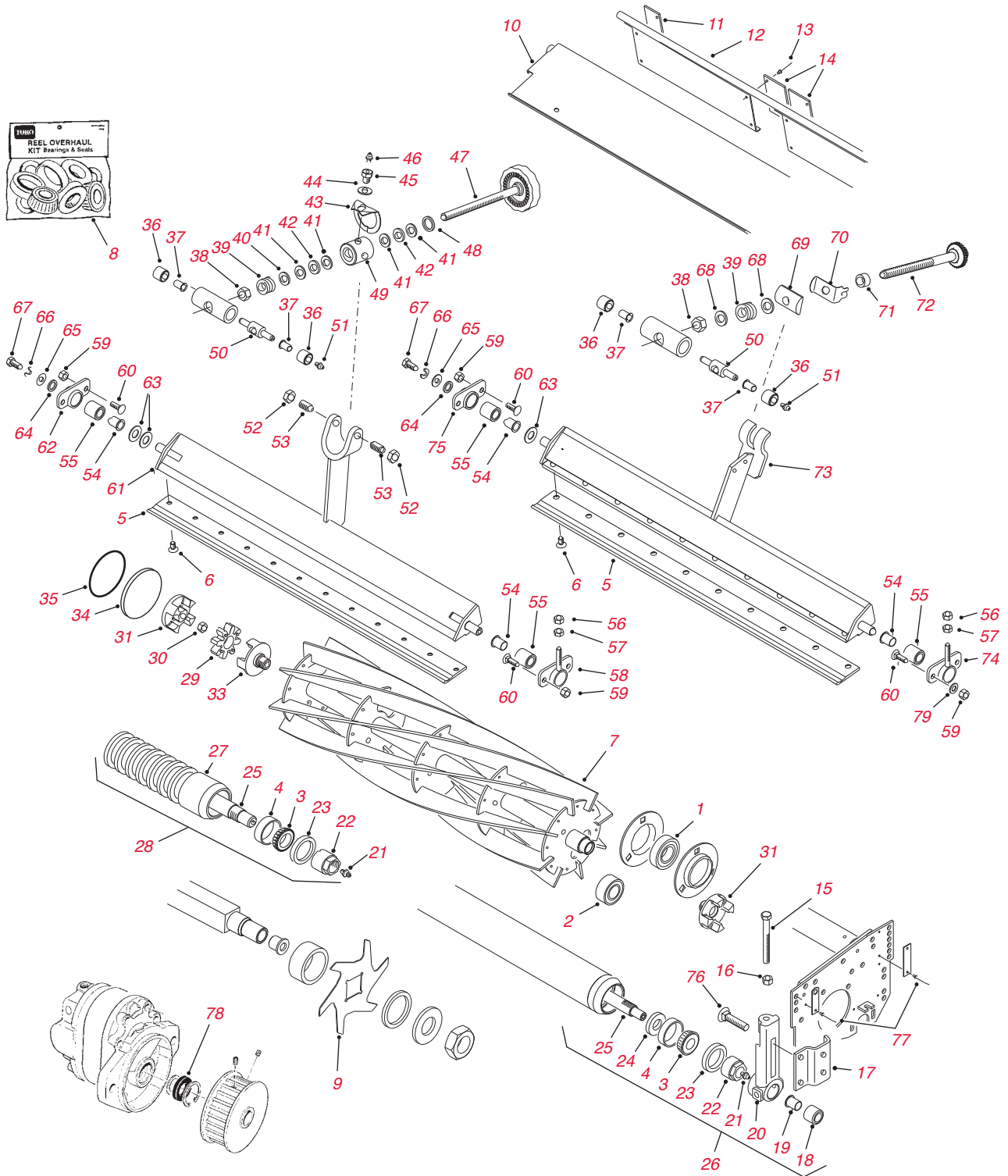
Ref. No.	Part No.	Description	Qty.	Sale Price
26	61-0410	ROLLER ASSEMBLY 27"	1	
26	94-4982	ROLLER ASSEMBLY - SOLID 32"	1	
*	106-9607**	Roller Rebuild MVP Kit	A/R	
27	104-1386-03	WIEHLE ROLLER TUBE 27"	1	
27	104-1389-03	WIEHLE ROLLER TUBE 32"	1	
28	62-7410	ORDER 92-1846	1	
28	92-1846	WIEHLE ROLLER ASSEMBLY 27"	1	
28	104-1385	WIEHLE ROLLER ASSEMBLY 27"	1	
28	94-4993	WIEHLE ROLLER ASSEMBLY 32"	1	
28	104-1388	WIEHLE ROLLER ASSEMBLY 32"	1	
29	93-8827	SPIDER (2300/2600/3100)	1	
30	32128-48	NUT - HEX LOCK	1	
31	93-8823	COUPLER - REEL MOTOR	1	
32	93-8825	COUPLER - REEL RH THREAD	1	
33	93-8826	COUPLER - REEL LH THREAD	1	
34	94-2703	PLUG	1	
35	353-949	SEAL - O-RING (REEL MOTOR MOUNTING)	1	
36	62-5510	RUBBER BUSHING	2	
37	52-2890	FLANGED BUSHING - NYLON	2	
38	3296-62	LOCKNUT	1	
39	57-5270	SPRING	1	
40	29-8870	WASHER-FLAT	1	
41	257-5	WASHER	2	
42	257-6	BEARING	1	
43	52-3000	ARM-SPRING	1	
44	3256-25	WASHER - FLAT	1	
45	52-2990	SCREW - SPRING RETAINER	1	
46	302-5	GREASE FITTING	3	
47	61-1070-01	HANDLE (1997 & PRIOR)	1	
48	253-84	SEAL - ADJUST HANDLE	1	
49	52-2980	PIVOT S.P.A.	1	
50	57-5260	ORDER 107-7490	1	
50	107-7409	PIN - BEDBAR PIVOT	1	
51	302-18	FITTING - GREASE	1	
52	3218-18	NUT - JAM	2	
53	57-5190	SCREW - ADJUSTMENT	2	
54	56-9520	FLANGED BUSHING	6	
55	56-9510	BUSHING	6	
56	3296-4	NUT - LOCK	1	
57	3219-2	NUT - LOCK	1	
58	93-6855	HOUSING - BEDBAR ADJUST	1	
59	3296-29	NUT - LOCK	4	
60	3230-1	SCREW - CARRIAGE	4	
61	61-1210-01	BEDBAR (27")	1	
62	61-1010	HOUSING - BEDBAR	1	
63	61-1950	WASHER - BEDBAR	2	
64	62-7120	SPACER	1	
65	3256-56	WASHER - FLAT	1	
66	3253-4	WASHER - LOCK	1	
67	322-3	SCREW - CAP HEX HD	1	
68	29-8910	WASHER	2	
69	93-2892	PIVOT - BEDBAR	1	
70	95-8752	ARM - SPRING	1	

*Not illustrated. **See pages 18-34 for Kit contents.

Prices subject to change without notice. NOTE: Please see your Parts Catalog or Master Parts Viewer to ensure ordering the correct part; the part needed may not be listed. **Not sold separately.

REELMASTERS

REELMASTER® 216 / 2000D / 2300D / 2600D / 3100D



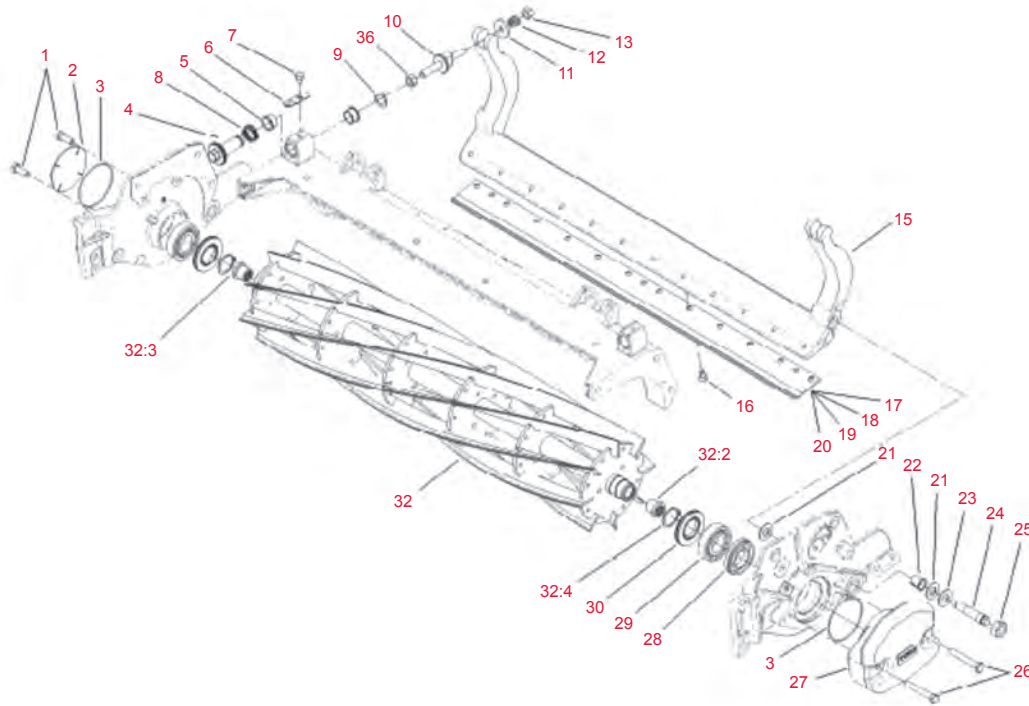
SPA Cutting Unit Parts - continued

Ref. No.	Part No.	Description	Qty.	Sale Price
71	93-2959	SPACER - ADJUSTER	1	
72	95-8877	ORDER 106-7536	1	
72	106-7536	ADJUSTER - BEDBAR	1	
76	3231-2	BOLT - CARRIAGE	4	
77	3290-55	RIVET - POP	8	
77	66-5710	ORDER 117-8976		
78	117-8976	SEAL - REEL MOTOR SHAFT	1	
79	3256-74	WASHER - FLAT	4	

*Not illustrated. **See pages 18-34 for Kit contents.

REELMASTERS

REELMASTER® 3100D



DPA Cutting Unit Parts

Ref. No.	Part No.	Description	Qty.	Sale Price
1	323-6	SCREW-HH	2	
2	94-2703	PLUG	1	
3	112-6967	O-RING	2	
4	120-5118	SHAFT-ADJUSTER	2	
5	106-5344	BUSHING-FLANGED, KEYED	4	
6	99-2097	DETENT	2	
7	114-9396	CAPSCREW-HH	2	
8	120-5116	WASHER-WAVE	2	
9	108-0015	WASHER-FLAT	2	
10	115-7039	SCREW-ADJUSTER, BEDBAR	2	
11	119-4155	WASHER-HARDENED	2	
12	120-5120	SPRING-COMPRESSION	2	
13	119-4039	NUT-HEX, NI	2	
15	112-8908-01	BEDBAR	1	
16	119-4151	SCREW-BEDKNIFE	10	
17	114-9388	BEDKNIFE - 27" FAIRWAY STD	1	
18	112-8910	BEDKNIFE - 27" FAIRWAY-CUT EXT. EDGEMAX	1	
19	114-9390	BEDKNIFE - 27" FAIRWAY HD	1	
20	120-1641	BEDKNIFE - 27" LOW HOC EXT	1	
20	105-6785	BEDKNIFE - 27" LOW-CUT (11 BLADE)	1	
20	104-1380	BEDKNIFE - 27" FAIRWAY HIGH-CUT	1	
20	104-1381	BEDKNIFE - 32" FAIRWAY HIGH-CUT	1	
20	94-5079	BEDKNIFE - 32" FAIRWAY LOW-CUT	1	
20	112-8956	BEDKNIFE - 32" FAIRWAY-CUT EXT. EDGEMAX	1	
21	61-1950	WASHER-PLASTIC	4	
22	56-9520	FLANGED BUSHING	2	

DPA Cutting Unit Parts - continued

Ref. No.	Part No.	Description	Qty.	Sale Price
23	69-8980	WASHER	2	
24	106-9623	BOLT-BEDBAR	2	
25	3296-33	NUT-LOCK, NI	2	
26	323-12	SCREW-HH	2	
27	119-0614-01	WEIGHT-END	1	
28	107-2954	BEARING , NUT-ADJUSTER	1	
29	93-2489	BEARING	2	
30	107-4028	SEAL-GREASE	2	
32	115-8270	ORDER 127-2093	1	
32	127-2093	REEL ASSEMBLY 5 BLADE (7" DIA - RM 3100D)	1	
32	115-8275	ORDER 127-2094	1	
32	127-2094	REEL ASSEMBLY, CUTTING UNIT 03181, 8 BLADE (7" DIA - RM 3100D)	1	
32	115-8282	ORDER 127-2104	1	
32	127-2104	REEL ASSEMBLY, CUTTING UNIT 03182) 5 BLADE (7" DIA)	1	
32	115-8286	ORDER 127-2105	1	
32	127-2105	REEL ASSEMBLY, CUTTING UNIT 03182, 8 BLADE (7" DIA)	1	
32	115-8278	ORDER 127-2095	1	
32	127-2095	REEL ASSEMBLY, CUTTING UNIT 03711, 11 BLADE (7" DIA - RM 3100D)	1	
32:2	107-3276	INSERT-THREADED, LH	1	
32:3	107-3275	INSERT-THREADED, RH	1	
32:4	92-2601	RING-RETAINING	2	
*	120-7230**	HD DPA MVP Kit		A/R
*	110-9600**	DPA High HOC KIT		A/R
*	106-9607**	Roller Rebuild MVP Kit		A/R
*	110-4086	GROOMER/RRB BEARING & SEAL KIT	2	
*	93-3038-03	BLADE - DETHATCHER (STD)	16	
*	106-8625	BLADE - DETHATCHER (CARBIDE TIPPED)	16	
*	94-3621	SHIELD - FRONT 27"	1	
*	94-5053	SHIELD - FRONT 32"	1	
*	61-3280	RUBBER COVER - SIDE	2	
*	112-8944-01	SHIELD - REAR	1	
*	61-3290	RUBBER COVER - CENTER	2	
*	323-57	ORDER 61-0790	4	
*	61-0790	SCREW - ADJUSTMENT	4	
*	3296-39	NUT - LOCK	2	
*	61-0910	BRACKET - HOC	2	
*	56-9510	BUSHING	6	
*	61-0430-01	BRACKET - HOC REAR	4	
*	61-0440-01	ORDER 14-4489	4	
*	14-4479	BRACKET - HOC REAR (INCL #18)	2	
*	14-4489	BRACKET - HOC FRONT (INCL #18)	2	
*	302-5	GREASE FITTING	3	
*	71-3590	ADJUSTMENT NUT	2	
*	105-0150	SEAL - OUTER	2	
*	253-152	SEAL - INNER	2	
*	61-0400	ORDER 105-0156	1	
*	94-4983	ORDER 105-0158	1	
*	105-0156	SHAFT - ROLLER 27"	1	
*	105-0158	SHAFT - ROLLER 32"	1	
*	62-7100	ORDER 61-0410	1	
*	61-0410	ROLLER ASSEMBLY 27"	1	
*	94-4982	ROLLER ASSEMBLY - SOLID 32"	1	
*	104-1386-03	WIEHLE ROLLER TUBE 27"	1	
*	104-1389-03	WIEHLE ROLLER TUBE 32"	1	

*Not illustrated. **See pages 18-34 for Kit contents.

Prices subject to change without notice. NOTE: Please see your Parts Catalog or Master Parts Viewer to ensure ordering the correct part; the part needed may not be listed. **Not sold separately.

REELMASTERS

REELMASTER® 3100D

DPA Cutting Unit Parts - continued

Ref. No.	Part No.	Description	Qty.	Sale Price
*	62-7410	ORDER 92-1846	1	-
*	92-1846	WIEHLE ROLLER ASSEMBLY 27"	1	
*	104-1385	WIEHLE ROLLER ASSEMBLY 27"	1	
*	94-4993	WIEHLE ROLLER ASSEMBLY 32"	1	
*	104-1388	WIEHLE ROLLER ASSEMBLY 32"	1	
*	93-8827	SPIDER	1	
*	32128-48	NUT - HEX LOCK	1	
*	93-8823	COUPLER - REEL MOTOR	1	
*	93-8825	COUPLER - REEL RH THREAD	1	
*	93-8826	COUPLER - REEL LH THREAD	1	
*	353-949	SEAL - O-RING (REEL MOTOR MOUNTING)	1	
*	62-5510	RUBBER BUSHING	2	
*	52-2890	FLANGED BUSHING - NYLON	2	
*	3296-62	LOCKNUT	1	
*	57-5270	SPRING	1	
*	29-8870	WASHER-FLAT	1	
*	257-5	WASHER	2	
*	257-6	BEARING	1	
*	52-3000	ARM-SPRING	1	
*	3256-25	WASHER - FLAT	1	
*	52-2990	SCREW - SPRING RETAINER	1	
*	61-1070-01	HANDLE (1997 & PRIOR)	1	
*	253-84	SEAL - ADJUST HANDLE	1	
*	57-5260	ORDER 107-7490	1	
*	107-7409	PIN - BEDBAR PIVOT	1	
*	302-18	FITTING - GREASE	1	
*	3218-18	NUT - JAM	2	
*	57-5190	SCREW - ADJUSTMENT	2	
*	3296-4	NUT - LOCK	1	
*	3219-2	NUT - LOCK	1	
*	93-6855	HOUSING - BEDBAR ADJUST	1	
*	3296-29	NUT - LOCK	4	
*	3230-1	SCREW - CARRIAGE	4	
*	61-1010	HOUSING - BEDBAR	1	
*	3256-56	WASHER - FLAT	1	
*	3253-4	WASHER - LOCK	1	
*	322-3	SCREW - CAP HEX HD	1	
*	29-8910	WASHER	2	
*	93-2892	PIVOT - BEDBAR	1	
*	95-8752	ARM - SPRING	1	
*	93-2959	SPACER - ADJUSTER	1	
*	115-3466	RH SHORT LIFT ARM ASM	1	
*	95-8877	ORDER 106-7536	1	
*	106-7536	ADJUSTER - BEDBAR	1	
*	95-8739-01	BEDBAR (27")	1	
*	95-8748-01	BEDBAR (32")	1	
*	16-9769	HOUSING - BEDBAR ADJUST (INCL #55)	1	
*	14-4459	HOUSING - BEDBAR (INCL #55)	1	
*	3231-2	BOLT - CARRIAGE	4	
*	3290-55	RIVET - POP	8	
*	66-5710	ORDER 115-8039		
*	3256-74	WASHER - FLAT	4	
*	29-9100	BRUSH AND HANDLE ASM	1	

REELMASTERS

REELMASTER® 335D / 3500D / 450D / 4000D / 4500D

Traction Unit Parts

Part No.	Description	Qty.	Sale Price
FILTERS			
74-7970	ORDER 108-3837	1	
108-3837	FILTER ENGINE OIL (RM335D/3500D)	1	
49-2500	ORDER 108-3835	1	
108-3835	FILTER - ENGINE OIL (RM 450D/4500D)	1	
98-7431	ORDER 104-5169	1	
104-5169	FILTER - ENGINE OIL (RM 4000D)	1	
27-7110	ORDER 108-3833	1	
108-3833	AIR FILTER ELEMENT	1	
93-9162	ORDER 108-3812	1	
108-3812	ELEMENT - AIR FILTER OUTER (RM 4000D)	1	
93-9163	ORDER 108-3813	1	
108-3813	ELEMENT AIR FILTER INNER (RM 4000D)	1	
98-7612	FILTER - FUEL, PLASTIC (RM 4000D 1998-2001 & 2004 & UP)	1	
108-3828	FILTER - FUEL, METAL (RM 4000D 1998-2001 & 2004 & UP)	1	
76-5220	ELEMENT - FUEL FILTER (335D/3500D/4000D 1998-2001)	1	
60-5470	FILTER - FUEL (RM 450D, 4500D)	1	
98-9764	FILTER - WATER SEPARATOR (RM 4000D)	1	
112-9140	BIO-DIESEL FUEL FILTER KIT (RM 4000D)	1	
112-7836	IN-LINE FUEL FILTER (BIO-DIESEL KIT RM 4000D)	1	
110-9015	ELEMENT - SEPARATOR (BIO-DIESEL RM 4000D)	1	
99-8358	FILTER - FUEL (RM 4000D 2002-03)	1	
58-6610	ORDER 69-1720	1	
69-1720	ELEMENT - HYD (RM 4500D)	1	
86-6110	ELEMENT - HYD (RM 450D, 4500D, 4000D)	1	
76-6490	ORDER 86-3010	1	
86-3010	FILTER TRANSMISSION (RM335D/3500D)	1	
98-7419	ELEMENT - BREATHER (RM 4000D)	1	
30012**	400 Hour Filter MVP Kit (RM 4000D - 2002-07)	A/R	
30061**	400 Hour Filter MVP Kit (RM 4000D - 2008 & Up)	A/R	
BELTS			
62-6390	BELT - FAN BELT (RM 450D)	1	
98-7705	V-BELT - ALTERNATOR DRIVE (RM 4000D)	1	
74-8830	BELT - TIMING (RM 335D/3500D)	1	
TIRES			
69-9880	TIRE - FRONT (23 X 10.5 - 12) 6-PLY (335D)	2	
74-5560	TIRE - REAR (20 X 8 - 10) 6-PLY (335D)	2	
86-5900	TIRE - FRONT (26 X 12 - 12) 8-PLY (3500D)	2	
86-5910	TIRE - REAR (20 X 10 - 10) 6-PLY (3500D)	2	
63-4480	TIRE - FRONT (31 X 13.5 - 15) 4-PLY (450D/4000D/4500D)	2	
69-9880	TIRE - REAR (23 X 10.5 - 12) 6-PLY (450D/4000D/4500D)	2	

*Not illustrated. **See pages 18-34 for Kit contents.

Traction Unit Parts - continued

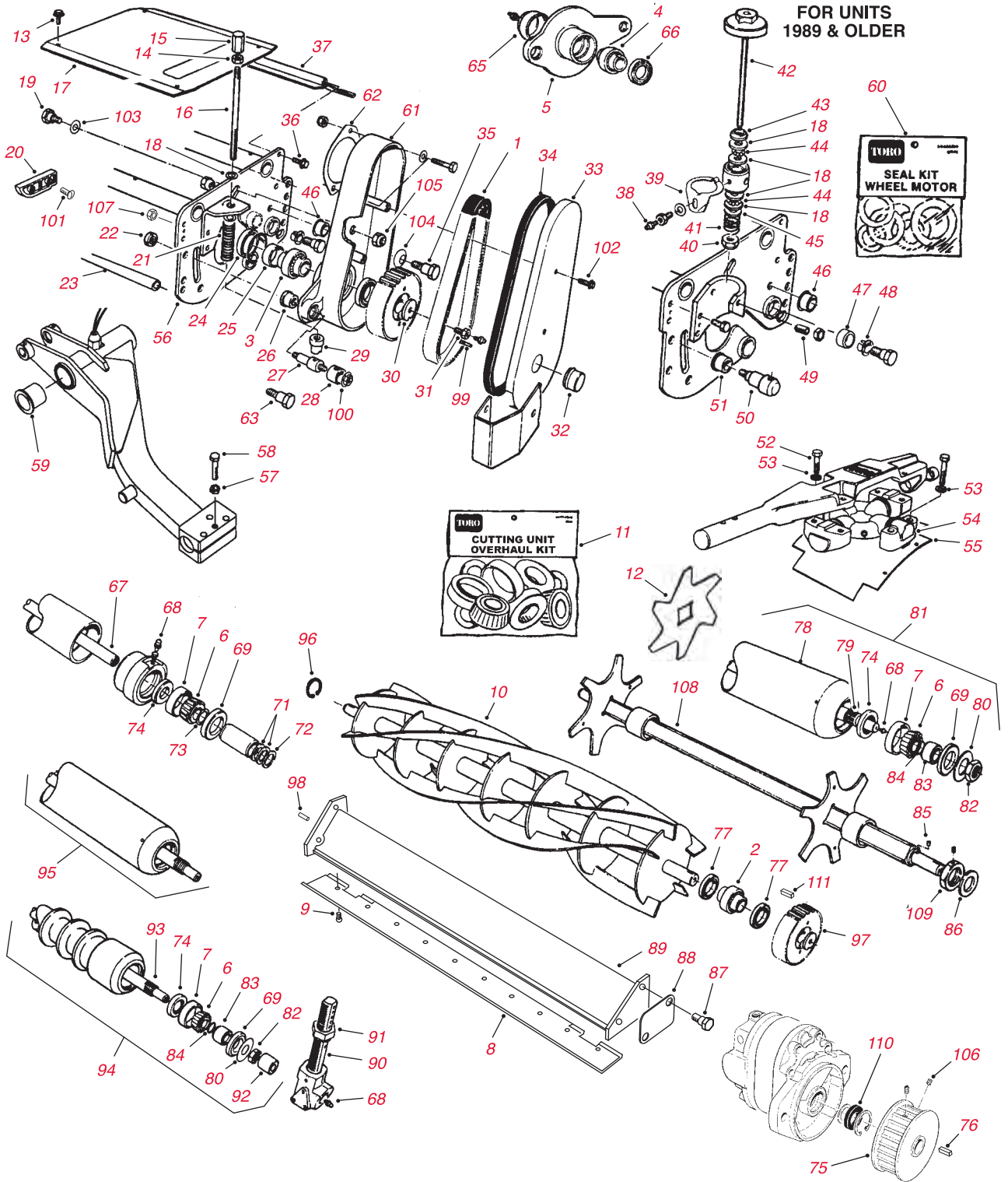
	Part No.	Description	Qty.	Sale Price
BEARINGS	See Quick Reference Guide for detailed information on bearing replacements for this model. Page 36-45			
	254-106	BEARING CONE (REAR AXLE)	2	
	254-92	BEARING CONE (2WD REAR OUTER)	2	
	254-107	BEARING CUP (REAR AXLE)	2	
	251-259	BEARING - BALL (NEUTRAL ARM)	2	
STARTER & ALTERNATOR				
	112-1352	STARTER (RM 335D/3500D)	1	
	51-7590	ORDER 112-1353	1	
	112-1353	STARTER (RM 450D/4500D)	1	
	100-9237	STARTER (RM 4000D)	1	
	76-5050	ALTERNATOR (335D/3500D)	1	
	51-8250	ORDER 112-1358	1	
	112-1358	ALTERNATOR (450D/4500D)	1	
	98-7693	ALTERNATOR (4000D)	1	
	117-5541	ALTERNATOR - 60 AMP (4000D)	1	
OTHER				
	112-8400	BIO-DIESEL FUEL PUMP KIT (RM 4000D)	1	
	29-6162	SWITCH-MICRO (RM 450)	1	
	233-70	KNOB-STAR, BATTERY ASM (RM 3550)	2	
	104-0422	NEUTRAL ARM ASM (RM 3550)	1	

*Not illustrated. **See pages 18-34 for Kit contents.

Prices subject to change without notice. NOTE: Please see your Parts Catalog or Master Parts Viewer to ensure ordering the correct part; the part needed may not be listed. **Not sold separately.

REELMASTERS

REELMASTER® 335D / 3500D / 450D / 4000D / 4500D



Cutting Unit Parts

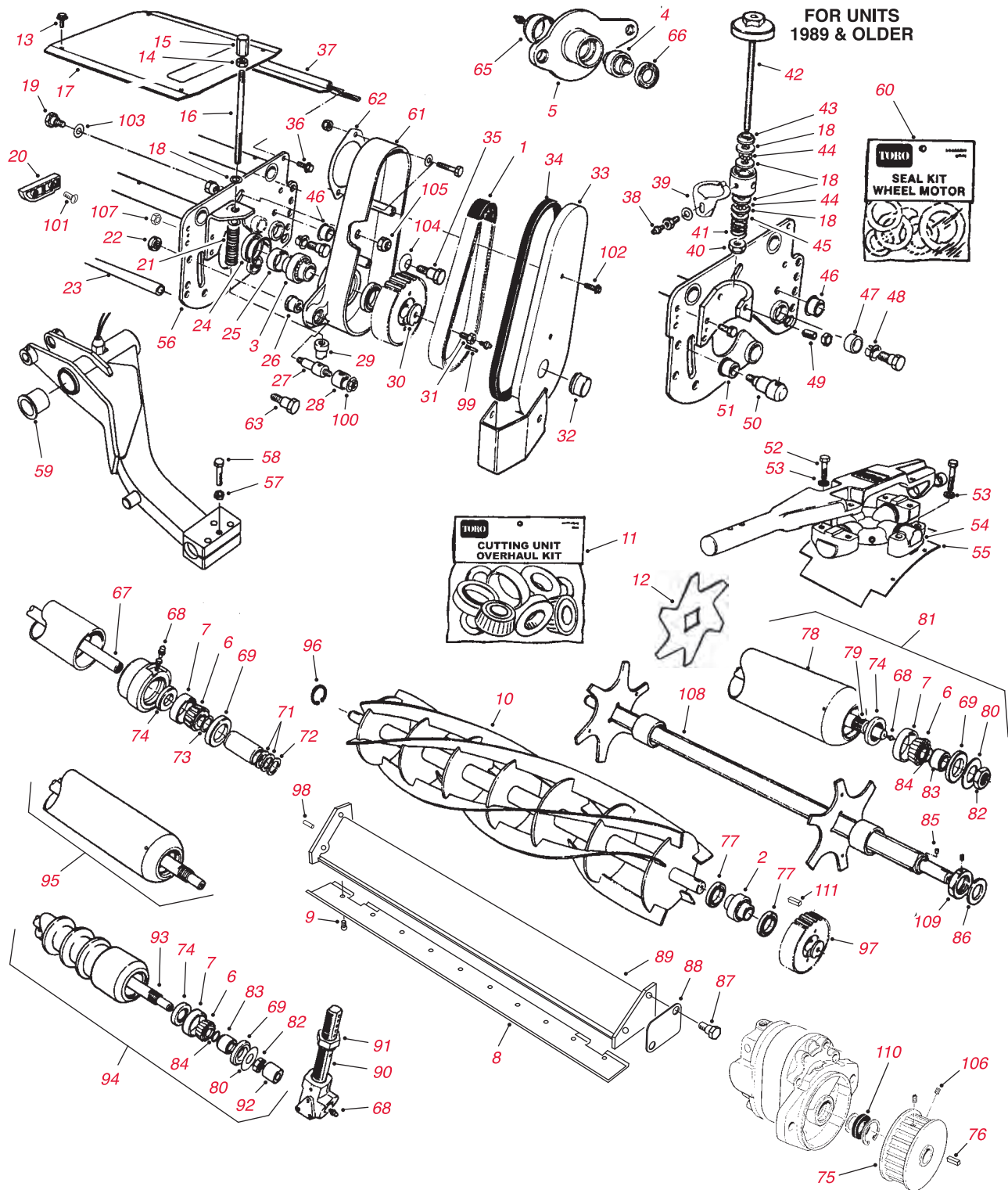
Ref. No.	Part No.	Description	Qty.	Sale Price
1	47-7160	BELT - REEL & DETHATCHER DRIVE	1	
2	251-298	ORDER 59-6140	2	
2	59-6140	BEARING - REEL	2	
3	59-6140	BEARING	1	
4	59-6140	BEARING	1	
5	13-7749	HOUSING & BEARING ASSEMBLY	1	
6	254-78	BEARING CONE	2	
7	254-79	CUP BEARING	2	
8	72-0480	BEDKNIFE (5 BLADE)	1	
8	59-5890	BEDKNIFE (7 BLADE)	1	
8	76-3620	BEDKNIFE (11 BLADE)	1	
	3-6462	ORDER 119-4151	11	
	57-4910	ORDER 119-4151	11	
9	119-4151	SCREW	11	
	13-8219	ORDER 130-4139		
10	130-4139	REEL ASSEMBLY - 7 BLADE (8" DIA - RM 335D/3500D/450D/4000D/4500)	1	
	14-0919	ORDER 130-4141		
10	130-4141	REEL ASSEMBLY - 11 BLADE (8" DIA - RM 335D/3500D/450D/4000D/4500)	1	
	13-8229	ORDER 14-7419	1	
10	14-7419	REEL ASSEMBLY - 5 BLADE (8" DIA - RM 335D/3500D/450D/4000D/4500)	1	
11	13-3679**	Cutting Unit Overhaul MVP Kit (RM 335D/450D)	A/R	
11	95-4389**	Cutting Unit Overhaul MVP Kit (RM 3500D/4000D/4500D)	A/R	
12	82-3070-03	BLADE - DETHATCHER	20	
13	3234-34	SCREW - HEX FLANGE HD	8	
14	3218-5	NUT	2	
15	72-0380	NOB	2	
16	72-0390	ROD	2	
17	59-5830-01	COVER - INBOARD	1	
*	59-5840-01	ORDER 100-9993	1	
*	100-9993	COVER - OUTBOARD	1	
18	257-5	WASHER	8	
19	62-6080	BOLT - SHOULDER	1	
20	62-6070	ORDER 77-4810	2	
20	77-4810	BLOCK - DEFLECTOR	2	
21	72-0400	ORDER 92-9231	2	
21	92-9231	SPRING	2	
22	82-9390	NUT - SPECIAL	2	
23	93-7769	ROD	1	
24	92-9250	SEAL - GREASE	1	
25	92-9251	Sleeve - Wear	A/R	
26	72-0430	BUSHING	2	
26	92-9252	BUSHING - FLANGE	2	
27	72-0440	PIN	2	
28	72-0420	CLAMP - TUBE	2	
29	72-0410	STAND OFF	2	
30	59-6150	WASHER - PULLEY	1	
31	59-6190	SCREW - REEL CAP	1	
32	59-7490	PLUG - GREASE FITTING	1	
33	75-7590-01	COVER - DRIVE (LH)	1	
33	75-7580-01	COVER - DRIVE (RH)	1	
34	47-7170	GASKET	1	
35	48-9020	BOLT	2	
36	3234-12	SCREW - HEX FLANGE HD	2	
37	51-1600	ORDER 75-7680-01	1	
37	52-9660	ORDER 75-7680-01	1	
37	75-7680-01	DEFLECTOR - GRASS	1	

*Not illustrated. **See pages 18-34 for Kit contents.

Prices subject to change without notice. NOTE: Please see your Parts Catalog or Master Parts Viewer to ensure ordering the correct part; the part needed may not be listed. **Not sold separately.

REELMASTERS

REELMASTER® 335D / 3500D / 450D / 4000D / 4500D



Cutting Unit Parts - continued

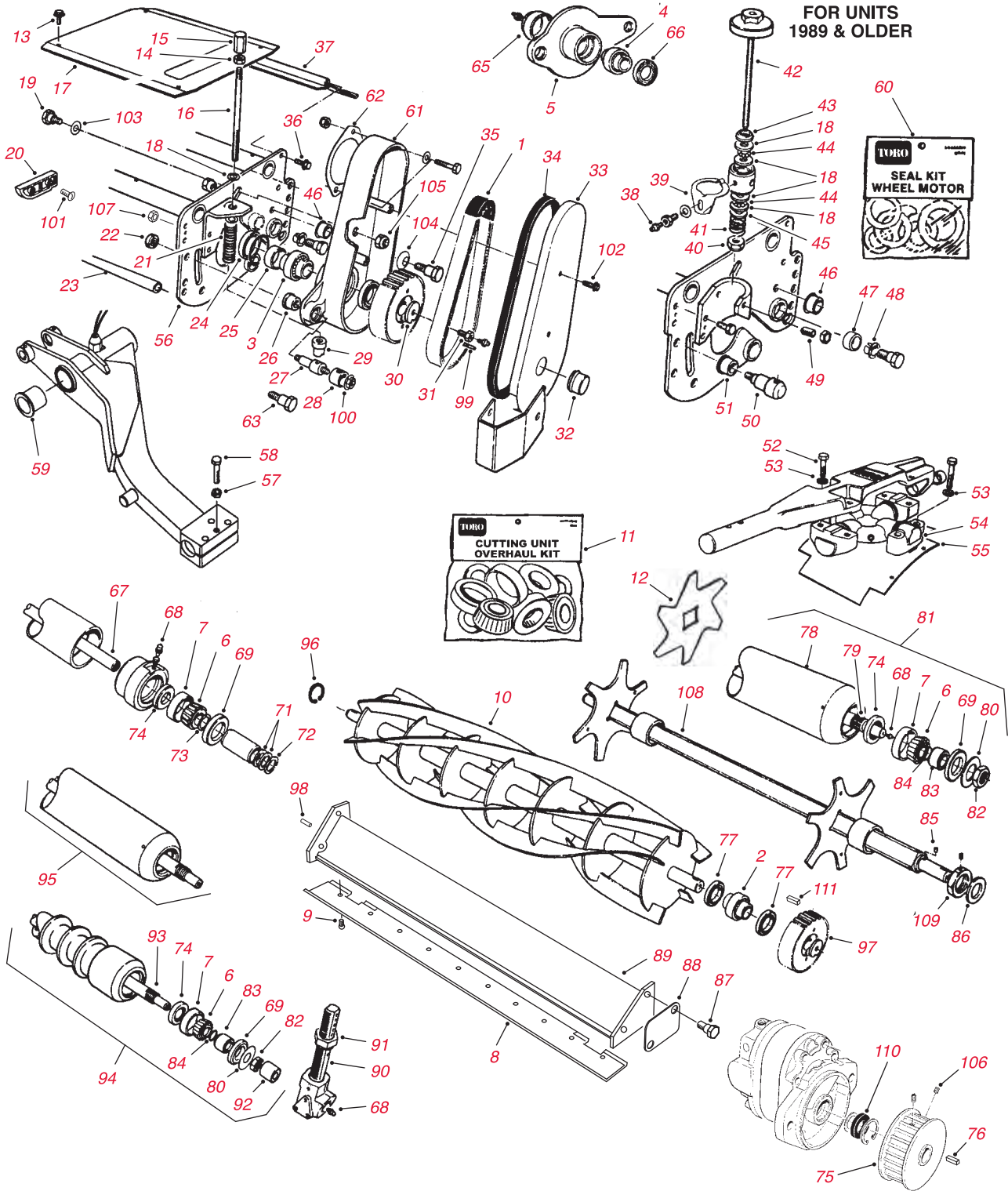
Ref. No.	Part No.	Description	Qty.	Sale Price
38	302-5	GREASE FITTING	2	
39	52-3000	ARM-SPRING	2	
40	3296-62	LOCKNUT	2	
41	5-4373	SPRING	2	
42	59-5580-01	HANDLE	2	
43	253-84	SEAL - ADJUST HANDLE	2	
44	257-6	THRUST BEARING	4	
45	29-8870	WASHER-FLAT	2	
46	256-252	BUSHING	2	
47	62-6110	BUSHING	2	
48	256-292	BUSHING	2	
49	57-5190	SCREW - ADJUSTMENT	4	
50	59-5570	PIN	2	
51	256-113	BUSHING	2	
52	3211-4	CAP SCREW	4	
53	3253-21	LOCK WASHER	8	
54	59-5910	CROSS & BEARING	1	
55	75-8100	COVER	1	
56	14-0829	REEL FRAME ASSEMBLY	1	
57	3218-3	NUT - JAM (RM 335/3500)	5	
58	323-50	SCREW (335/3500)	5	
59	69-6470	BUSHING	10	
60	42-2060	ORDER 59-8400	1	
60	59-8400	SEAL KIT - WHEEL MOTOR	1	
61	62-6480-01	HOUSING - DRIVE LH	1	
*	62-6470	HOUSING - DRIVE RH	1	
62	48-9050	SHIELD - DRIVE PLATE	1	
63	59-6340	BOLT (DETHATCHER)	2	
65	59-5560	DUST CAP	1	
66	93-1414	SEAL - GREASE	1	
67	51-1430	SHAFT-ROLLER	1	
68	302-5	Grease Fitting	A/R	
69	253-165	SEAL - SLEEVE	2	
71	3256-26	WASHER	2	
72	3253-7	LOCK WASHER	1	
73	47-7510	WASHER	2	
74	253-122	SEAL	2	
75	47-7150	PULLEY - REEL MOTOR	1	
76	47-2380	KEY - REEL MOTOR PULLEY	1	
77	253-145	ORDER 93-1414	3	
77	93-1414	SEAL	3	
78	59-5640-01	ORDER 104-4623-01	1	
78	104-4623-01	ROLLER TUBE ASSEMBLY	1	
79	66-5640	SHAFT	1	
80	66-5620	WASHER - THRUST	2	
81	59-5630	REAR ROLLER ASSEMBLY	1	
82	3220-7	JAM NUT	1	
83	59-5690	WEAR SLEEVE	2	
84	237-54	O-RING	2	
85	48-8880	PIN-DOWEL	2	
86	38-7330	WASHER-SHIELD	2	
87	66-5570	ORDER 84-6090	4	
87	84-6090	SHOULDER BOLT	4	

*Not illustrated. **See pages 18-34 for Kit contents.

Prices subject to change without notice. NOTE: Please see your Parts Catalog or Master Parts Viewer to ensure ordering the correct part; the part needed may not be listed. **Not sold separately.

REELMASTERS

REELMASTER® 335D / 3500D / 450D / 4000D / 4500D



Cutting Unit Parts - continued

Ref. No.	Part No.	Description	Qty.	Sale Price
88	48-9240	Order 76-3580		
88	76-3580	Bedbar Spacer		A/R
89	59-5470-01	BEDBAR	1	
89	77-4340-01	BEDBAR	1	
91	59-5820	NUT	4	
92	59-5780	BUSHING	2	
93	66-5650	ROLLER SHAFT (34.25" ROLLER)	1	
93	84-6070	ROLLER SHAFT (33.25" ROLLER)	1	
94	62-6030	ORDER 62-6130	1	
94	62-6130	WIEHLE ROLLER ASSEMBLY (34.25" ROLLER)	1	
94	84-6080	WIEHLE ROLLER ASSEMBLY (33.25" ROLLER)	1	
95	59-5630	FRONT ROLLER ASSEMBLY (33.25" ROLLER)	1	
95	84-6180	ROLLER - FRONT	1	
96	32151-71	RING - RETAINING	1	
97	47-7140	PULLEY - DRIVEN	1	
98	32121-11	PIN - ROLL	4	
99	32121-50	PIN - ROLL	1	
100	32128-15	NUT - FLANGE LOCK	2	
101	32108-101	SCREW	4	
102	3234-14	SCREW - HEX FLANGE HD	2	
103	3256-69	WASHER - FLAT	1	
104	3290-440	WASHER - BELLEVILLE	2	
105	3296-28	NUT - LOCK	2	
106	3246-17	SCREW - SET	2	
107	3296-26	NUT - LOCK	4	
108	59-6290	SHAFT - DETHATCHER	1	
109	59-6330	NUT - HEX	1	
110	66-5710	ORDER 117-8976		
110	117-8976	SEAL - REEL MOTOR SHAFT	1	
111	75-7570	KEY - REEL PULLEY	1	

*Not illustrated. **See pages 18-34 for Kit contents.

REELMASTERS

REELMASTER® 223D / 5100D / 5200D / 5300D / 5500D

Traction Unit Parts

Ref. No.	Part No.	Description	Qty.	Sale Price
FILTERS				
	67-4330	ORDER 108-3841	1	
	93-4295	ORDER 112-8409	1	
	112-8409	FILTER - ENGINE OIL (5300D)	1	
	104-5167	ORDER 108-3841	1	
	98-9651	ORDER 108-3841	1	
	99-8384	ORDER 108-3841	1	
	108-3841	FILTER - ENGINE OIL (KUBOTA)	1	
	27-7110	ORDER 108-3833	1	
	108-3833	FILTER ELEMENT	1	
	93-2195	ORDER 108-3811	1	
	98-9763	ORDER 108-3810	1	
	108-3810	ELEMENT - AIR (52/54/55)	1	
	108-3811	ELEMENT - AIR (5100D)	1	
	98-7612	FILTER - FUEL, PLASTIC (RM 5200/5400/5500)	1	
	108-3828	FILTER - FUEL, METAL (RM 5200/5400/5500)	1	
	63-8300	FILTER - FUEL (DIESEL)	1	
	99-8358	ELEMENT - FUEL FILTER (RM 5200D/5400D 1999-01)	1	
	43-2550	FILTER - FUEL PUMP	1	
	98-9764	ELEMENT - SEPARATOR (5200D/5400D/5500D)	1	
	112-9140	BIO-DIESEL FUEL FILTER KIT (5200D/5400D/5500D)	1	
	110-9015	ELEMENT - SEPARATOR (BIO-DIESEL KIT) (5200D/5400D/5500D)	1	
	112-7836	IN-LINE FUEL FILTER (BIO-DIESEL KIT 5200D/5400D/5500D)	1	
	75-1310	FILTER - HYDRAULIC	1	
	94-2621	FILTER - HYDRAULIC	1	
	75-1320	ORDER 110-4146	1	
	75-1330	ORDER 110-4146	1	
	110-4146	FILTER - TRANSMISSION	1	
	75-6340	FILTER - HYDRAULIC (RM 5200D/5400D/5500D)	1	
	98-9493	ELEMENT - BREATHER (RM 5200D/5400D/5500D)	1	
	30015**	400 Hour Filter MVP Kit (RM 5200D/5400D)		A/R
	30038**	400 Hour Filter MVP Kit (RM 5500D)		A/R
BELTS				
	98-3921	BELT - COOLING FAN (RM 5500D)	1	
	98-9676	BELT - ALTERNATOR (RM 5200D/5400D/5500D)	1	
	67-4410	V-BELT - ALTERNATOR/WATER PUMP (RM 223D/5100D/5300D)	1	
TIRES				
	98-2373	ORDER 93-6152 (5200D/5400D/5500D)	2	
	117-5196	TIRE - FRONT (26.5 X 14 - 12) 2-PLY (5200D/5400D/5500D)	2	
	231-134	TIRE - FRONT (26 X 12 - 12) 4-PLY (223D/5100D/5300D)	2	
	231-134	TIRE - FRONT (26 X 12 - 12) 4-PLY (5200D/5400D)	2	
	86-5910	TIRE - REAR (20 X 10 -10) 6-PLY (5200D/5400D/5500D)	2	
	231-141	TIRE - REAR (19 X 8.5 - 8) 4-PLY (223D/5100D/5300D)	2	
	231-141	TIRE - REAR (19 X 8.5 - 8) 4-PLY (5200D/5400D)	2	

*Not illustrated. **See pages 18-34 for Kit contents.

Traction Unit Parts - continued

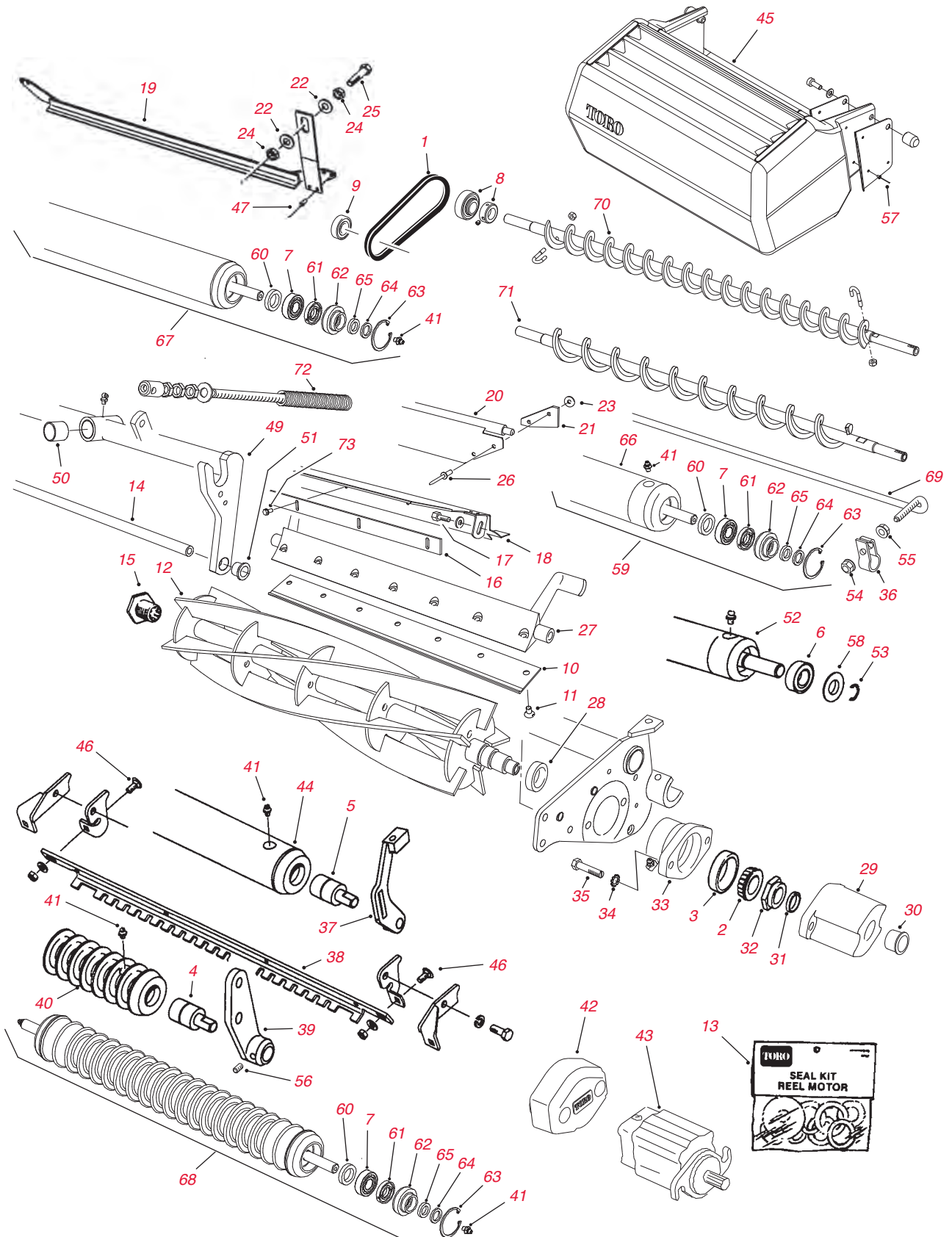
Ref. No.	Part No.	Description	Qty.	Sale Price
BEARINGS	See Quick Reference Guide for detailed information on bearing replacements for this model. Page 36-45.			
	21-8180	BEARING	2	
	94-3405	BEARING ASSEMBLY (FWD SHAFT SUPPORT)	1	
	251-307	ORDER 251-259	2	
	251-259	BEARING - BALL (NEUTRAL ARM)	2	
	251-318	BEARING - BALL	2	
	99-8351	ASSEMBLY - FUEL FILTER (RM 5200D 1999-01/5500D 2000-01)	1	
STARTER & ALTERNATOR				
	112-1350	STARTER (RM 223D/5100D)	1	
	112-1356	STARTER (RM 5300D)	1	
	98-9705	STARTER (RM 5200D/5400D/5500D)	1	
	67-4630	ALTERNATOR (RM 223D/5100D)	1	
	93-3577	ALTERNATOR (RM 5300D)	1	
	131-6557	ALTERNATOR (RM 5200D/5400D/5500D)	1	
OTHER				
	104-4620	SEAT-STD	1	
	112-8400	BIO-DIESEL FUEL PUMP KIT (5200D/5400D/5500D)	1	
	108-0638	BOTTLE-OVERFLOW	1	
	29-6162	SWITCH-MICRO	1	

*Not illustrated. **See pages 18-34 for Kit contents.

Prices subject to change without notice. NOTE: Please see your Parts Catalog or Master Parts Viewer to ensure ordering the correct part; the part needed may not be listed. **Not sold separately.

REELMASTERS

REELMASTER® 223D / 5100D / 5200D / 5300D / 5500D



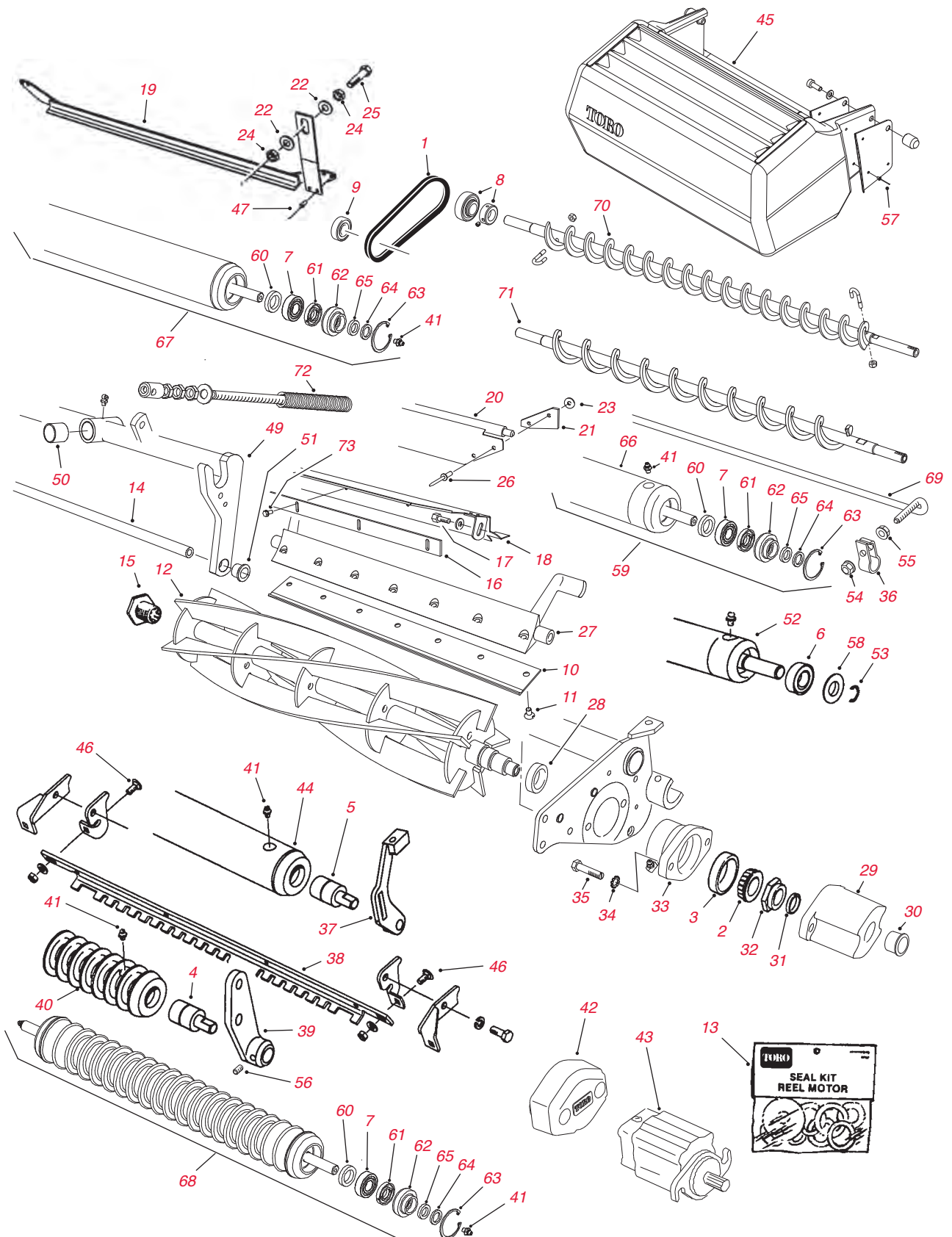
Cutting Unit Parts

Ref. No.	Part No.	Description	Qty.	Sale Price
1	104-8231	ORDER 108-6709	1	
1	108-6709	BELT - REAR ROLLER BRUSH DRIVE (RM 5200D/5400D)	1	
2	254-94	BEARING CONE	2	
3	254-72	BEARING CUP	2	
4	75-1290	BEARING	2	
5	21-8430	ORDER 52-3180	2	
5	52-3210	ORDER 52-3180	2	
5	52-3180	BEARING	2	
6	85-9970	BEARING	2	
7	109966	BEARING - BALL	2	
8	98-5208	BEARING - ROLLER BRUSH SHAFT (RM 223D/5100D/5300D)	2	
	104-1842	ORDER 132-6979		
8	132-6979	BEARING - ROLLER BRUSH SHAFT (RM 5200D/5400D)	2	
9	251-336	BEARING - ROLLER BRUSH DRIVE (RM 223D/5100D/5300D)	1	
9	98-5215	BEARING - ROLLER BRUSH DRIVE (RM 5200D/5400D)	1	
10	100-3350	BEDKNIFE - HIGH-CUT	1	
10	63-8610	BEDKNIFE - FAIRWAY-CUT	1	
10	112-7475	BEDKNIFE - FAIRWAY-CUT - EDGEMAX	1	
	57-4910	ORDER 119-4151	7	
11	119-4151	BEDKNIFE SCREW	7	
	14-0649	ORDER 130-0093		
12	130-0093	REEL - 8 BLADE	1	
	14-0659	ORDER 130-0088		
12	130-0088	REEL - 5 BLADE	1	
*	107-1590**	Reel Overhaul MVP Kit (1990-01)		A/R
13	72-4380	ORDER 92-8863	1	
13	75-1270	ORDER 92-8863	1	
13	353-469	ORDER 92-8863	1	
13	353-585	ORDER 92-8863	1	
13	92-8863	SEAL KIT - REEL MOTOR	1	
14	75-1710	ROD - SUPPORT (RM 5100/5300)	1	
14	104-3365	ROD - SUPPORT (RM 5200/5400)	1	
15	10-5100	ORDER 93-1394	1	
15	77-0340	ORDER 93-1394	1	
15	93-1394	SPLINE NUT	1	
16	36-7260	CUTOFF BAR	1	
17	321-4	CAP SCREW	2	
18	75-1840	GRASS SHIELD	1	
19	75-1750-01	SCRAPER - REAR (03512)	1	
20	75-1560-01	DEFLECTOR - REAR	1	
21	75-1720	FLAP - DEFLECTOR	2	
22	3256-24	WASHER - FLAT	4	
23	3256-49	WASHER - FLAT	4	
24	3218-3	NUT - JAM	4	
25	323-50	SCREW - CAP HEX HD	2	
26	3269-4	RIVET - POP	4	
27	10-4930-01	BEDBAR	1	
28	253-96	OIL SEAL (2000 & OLDER)	2	
28	104-3388	OIL SEAL (2001 & UP)	2	
29	10-5080-01	CAP - END	1	
29	93-8732-01	CAP - END (SENSOR)	1	
30	12-0460	CAPLUG	1	
31	253-61	OIL SEAL	1	
32	3296-60	NUT - REEL	1	
33	10-5120	ORDER 104-3398	2	
33	104-3398	BEARING HOUSING (2000 & OLDER)	2	
33	104-3399	BEARING HOUSING (2001 & UP)	2	
34	3255-9	LOCK WASHER	4	

*Not illustrated. **See pages 18-34 for Kit contents.

REELMASTERS

REELMASTER® 223D / 5100D / 5200D / 5300D / 5500D



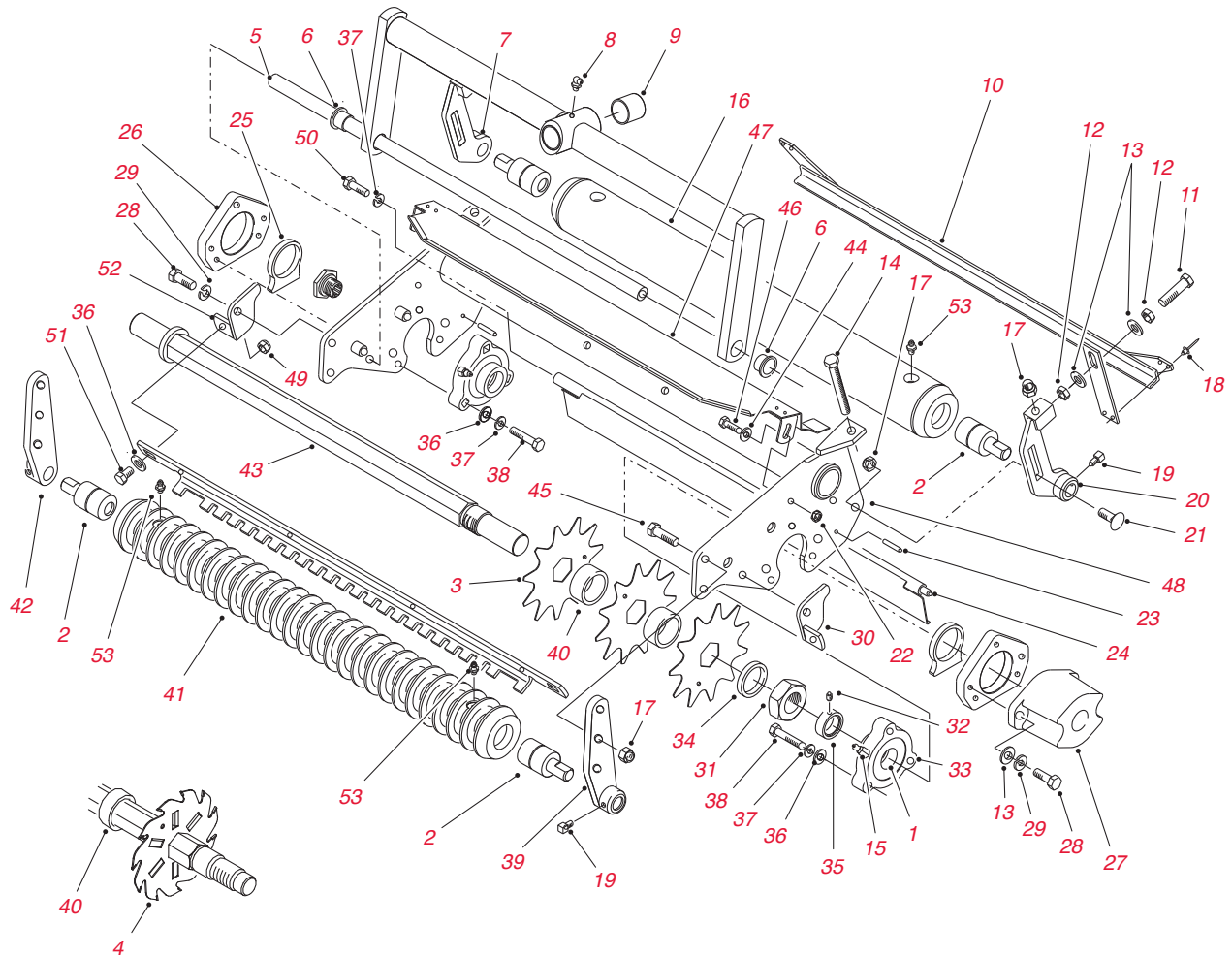
Cutting Unit Parts - continued

Ref. No.	Part No.	Description	Qty.	Sale Price
35	57-3210	BOLT	4	
36	92-3087	BRACKET - SCRAPER	2	
37	75-1610-01	BRACKET - HOC REAR (RH)	1	
37	75-1620-01	BRACKET - HOC REAR (LH)	1	
38	83-5400	FRONT ROLLER SCRAPER KIT	1	
39	75-1960-01	BRACKET - HOC FRONT (RH)	1	
39	75-1980-01	BRACKET - HOC FRONT (LH)	1	
40	75-1520	WIEHLE ROLLER ASSEMBLY	1	
*	107-1592**	Front Roller Rebuild MVP Kit	A/R	
41	302-5	GREASE FITTING	2	
42	7113-01	WEIGHT - END (2001 & UP)	1	
*	100-6426	ORDER 112-9200	1	
*	108-6487	ORDER 112-9200	1	
*	112-9200	ORDER 120-2072	1	
43	120-2072	HYDRAULIC MOTOR ASSEMBLY (2003-05)	1	
44	75-1850	ORDER 85-7220	1	
44	85-7220	REAR ROLLER ASSEMBLY - 2" (1990-92)	1	
*	107-1588**	Rear Roller Rebuild MVP Kit (Bearings 52-3180 — 1990-92)	A/R	
45	75-4010	ORDER 104-8219	1	
45	104-8219	GRASS BASKET ASSEMBLY (5000 SERIES)	1	
45	108-4991	FAIRWAY GRASS BASKET ASSEMBLY (5010 model)		
46	3230-1	BOLT - CARRIAGE	2	
47	3269-3	RIVET - POP (FOR 98-1450)	4	
47	3269-23	RIVET - POP (FOR 79-1750-01)	4	
49	100-4194	CARRIER FRAME (RM 5100/5300)	1	
50	67-1750	BUSHING	2	
51	75-2160	BUSHING	2	
52	85-7220	REAR ROLLER ASSEMBLY - 2" (1993-97)	1	
53	32151-12	RING - RETAINING	2	
54	32128-32	NUT - FLANGE LOCK	2	
55	32128-33	NUT - FLANGE LOCK	1	
56	3246-2	SCREW - SET	2	
57	3269-28	RIVET - POP	10	
58	85-7190	WASHER - SHIELD	2	
59	94-0694	PREMIUM REAR ROLLER ASSEMBLY - 2.5"	1	
60	93-3007	SEAL - OIL	2	
61	93-1251	SEAL - INNER	2	
62	93-1252	SEAL - OUTER	2	
63	32120-62	RING - RETAINING	2	
64	93-2931	WASHER - ROLLER	2	
65	253-70	SEAL - OIL	2	
66	94-0695	TUBE - ROLLER	1	
67	100-2536	ROLLER ASSEMBLY	1	
68	104-3369	SHOULDER ROLLER ASSEMBLY	1	
69	92-3086	ROD - REAR ROLLER SCRAPER	1	
69	98-1450	ROD - REAR ROLLER SCRAPER (5200/5400)	1	
70	105-6792	REPLACEMENT REAR ROLLER BRUSH (2006 & UP)	1	
*	106-9627**	Rear Roller Brush Rebuild MVP Kit	A/R	
71	100-7119	ORDER 106-9627	1	
71	106-9627	REAR ROLLER BRUSH ASSEMBLY (1999-05)	1	
72	104-3394	SPRING - COMPRESSION (RM 5200/5400)	1	
73	104-2065	SCREW - HEX HD.	5	
*	29-9100	BRUSH AND HANDLE ASM (RM 5200/5400/5500)	1	

*Not illustrated. **See pages 18-34 for Kit contents.

REELMASTERS

REELMASTER® 223D / 5100D / 5200D / 5300D / 5500D



Dethatching Reel Parts

Ref. No.	Part No.	Description	Qty.	Sale Price
1	94-3405	BEARING ASSEMBLY (INCL #32 & 35)	2	
2	75-1290	BEARING	4	
3	17-1590	BLADE - 11 TOOTH (STD)	24	
4	106-5422	BLADE - DETHATCHING REEL (1MM CARBIDE TIPPED)	24	
4	106-6355	BLADE - DETHATCHING REEL (2MM CARBIDE TIPPED)	24	
*	106-6392**	Dethatching Reel Blade MVP Kit (108 Blades 106-6355)	A/R	
5	75-1710	SUPPORT	1	
6	75-2160	BUSHING - FLANGE	2	
7	82-6630-01	BRACKET - HOC RH	1	
8	302-60	FITTING - GREASE	1	
9	67-1750	BUSHING - AXLE	2	
10	82-6740	SCRAPER ASSEMBLY	1	
11	323-53	SCREW - CAP	2	
12	3218-3	NUT - JAM	4	
13	3256-24	WASHER - FLAT	8	
14	323-49	SCREW - SPECIAL	2	
15	302-11	FITTING - GREASE	2	
16	82-6680	ORDER 114-5404	1	
16	114-5404	REAR ROLLER ASSEMBLY	1	
*	107-1592**	Roller Rebuild MVP Kit	A/R	
17	3296-39	NUT - LOCK	8	
18	3269-3	RIVET - POP	4	
19	3242-1	SCREW - SET	4	
20	82-6650-01	BRACKET - HOC LH	1	
21	3231-25	BOLT - CARRIAGE	2	
22	3296-42	NUT - LOCK	2	
23	32121-12	PIN - ROLL	2	
24	82-6780-01	DEFLECTOR - REAR	1	
25	82-6820	SPACER - BEARING	2	
26	82-6810-01	PLATE - BEARING	2	
27	10-5080-01	CAP - END	1	
28	323-6	SCREW - CAP	6	
29	3253-21	WASHER - LOCK	6	
30	82-6880-01	SCRAPER - LH	1	
31	3220-18	NUT - JAM	1	
32	3245-35	SCREW - SET	2	
33	76-2460	BEARING ASSEMBLY (INCL #1, 15, 32 & 35)	2	
34	17-1600	SPACER	2	
35	251-77	COLLAR - LOCK	2	
36	3256-23	WASHER - FLAT	8	
37	3253-4	WASHER - LOCK	7	
38	322-7	SCREW - CAP	6	
39	82-6530-01	SUPPORT - HOC LH	1	
40	82-6600	SPACER	23	
41	75-1520	WIEHLE ROLLER ASSEMBLY	1	
*	107-1592**	Roller Rebuild MVP Kit	A/R	
42	82-6510-01	SUPPORT - HOC RH	1	
43	82-6570	SHAFT - REEL	1	
44	3256-1	WASHER - FLAT	2	
45	323-7	SCREW - CAP	4	
46	321-4	SCREW - CAP	2	
47	75-1840	SHIELD - GRASS	1	
48	82-6710	FRAME ASSY. (INCL #5, 28 & 29)	1	
49	3296-29	NUT - LOCK	2	
50	322-5	SCREW - CAP	1	
51	322-3	SCREW - CAP	2	
52	82-6870-01	SCRAPER - RH	1	
53	302-5	FITTING - GREASE	4	

*Not illustrated. **See pages 18-34 for Kit contents.

REELMASTERS

TIER 4 REELMASTER® 5010-H / 5210 / 5410 / 5510 / 5610

MODELS: 03672 / 03687

Traction Unit Parts

Part No.	Description	Qty.	Sale Price
FILTERS			
108-3841	ENGINE OIL FILTER	1	
108-3810	AIR FILTER ELEMENT	1	
98-7612	IN-LINE FUEL FILTER, PLASTIC (2006-2007)	1	
108-3828	IN-LINE FUEL FILTER, METAL (2006-2007)	1	
98-9764	FUEL FILTER/SEPARATOR ELEMENT (2006-2007)	1	
110-9049	FUEL FILTER/SEPARATOR ELEMENT (2008 & UP)	1	
98-9305	FUEL FILTER SEPARATOR ASSEMBLY (INCL #4 - 2006-2007)	1	
110-9044	FUEL FILTER SEPARATOR ASSEMBLY (INCL #4 - 2008 & UP)	1	
112-9140	BIO-DIESEL FUEL FILTER KIT (FOR 2006 & 2007 UNITS)	1	
112-8400	BIO-DIESEL FUEL FILTER KIT	1	
110-9015	FUEL FILTER/SEPARATOR ELEMENT (BIO-DIESEL KIT)	1	
112-7836	IN-LINE FUEL FILTER (BIO-DIESEL KIT)	1	
86-3010	HYDRAULIC OIL FILTER (STEERING)	1	
94-2621	HYDRAULIC OIL FILTER (RESERVOIR)	1	
30039**	400 Hour Filter MVP Kit 5210/5410/5510 (2006-2007)	A/R	
30040**	400 Hour Filter MVP Kit 5610 (2006-2007)	A/R	
30054**	400 Hour Filter MVP Kit 5210/5410/5510 (2008 & Up)	A/R	
30055**	400 Hour Filter MVP Kit 5610 (2008 - 2012)	A/R	
30247**	800 Hour Filter MVP Kit 5010-H	A/R	
30093**	800 Hour Filter MVP Kit 5410D/5510D Tier4 Final	A/R	
TIRES			
87-6740	ORDER 110-5132	2	
110-5132	TIRE - FRONT (5210 - 2006-MID 2008)	2	
115-8090	ORDER 95-2638	2	
95-2638	TIRE - FRONT (5210 - MID 2008 & UP)	2	
117-5196	TIRE - FRONT (5410/ 5010-H /5510/5610)	2	
86-5910	TIRE - REAR (5210 - 2006)	2	
95-8656	ORDER 115-1572	2	
115-1572	TIRE - REAR (5210 - 2007 & UP)	2	
104-0451	ORDER 117-5125	2	
117-5125	TIRE - REAR (5410/5510/5610)	2	
BELTS			
104-3494	V-BELT - ALTERNATOR DRIVE (5010-H)		
98-9676	V-BELT - ALTERNATOR DRIVE	1	
BEARINGS			
254-94	BEARING CONE	4	
254-72	BEARING CUP	4	
STARTER & ALTERNATOR			
98-9705	STARTER ASSEMBLY (5210/5410/5510/5610)	1	
131-6557	ALTERNATOR ASSEMBLY (5010-H/5210/5410/5510/5610)	1	
131-6561	STARTER ASSEMBLY (5010-H)	1	
OTHER			
104-4620	SEAT-STD	1	
92-8991	ADJUSTER - SEAT ASM	1	
125-2165	ENGINE-KUBOTA, V1505 (RM 5410/5510 2014 & UP)	1	
125-1984	SPACER, REEL DRIVE HYDRAULIC ASM	5	

*Not illustrated. **See pages 18-34 for Kit contents.

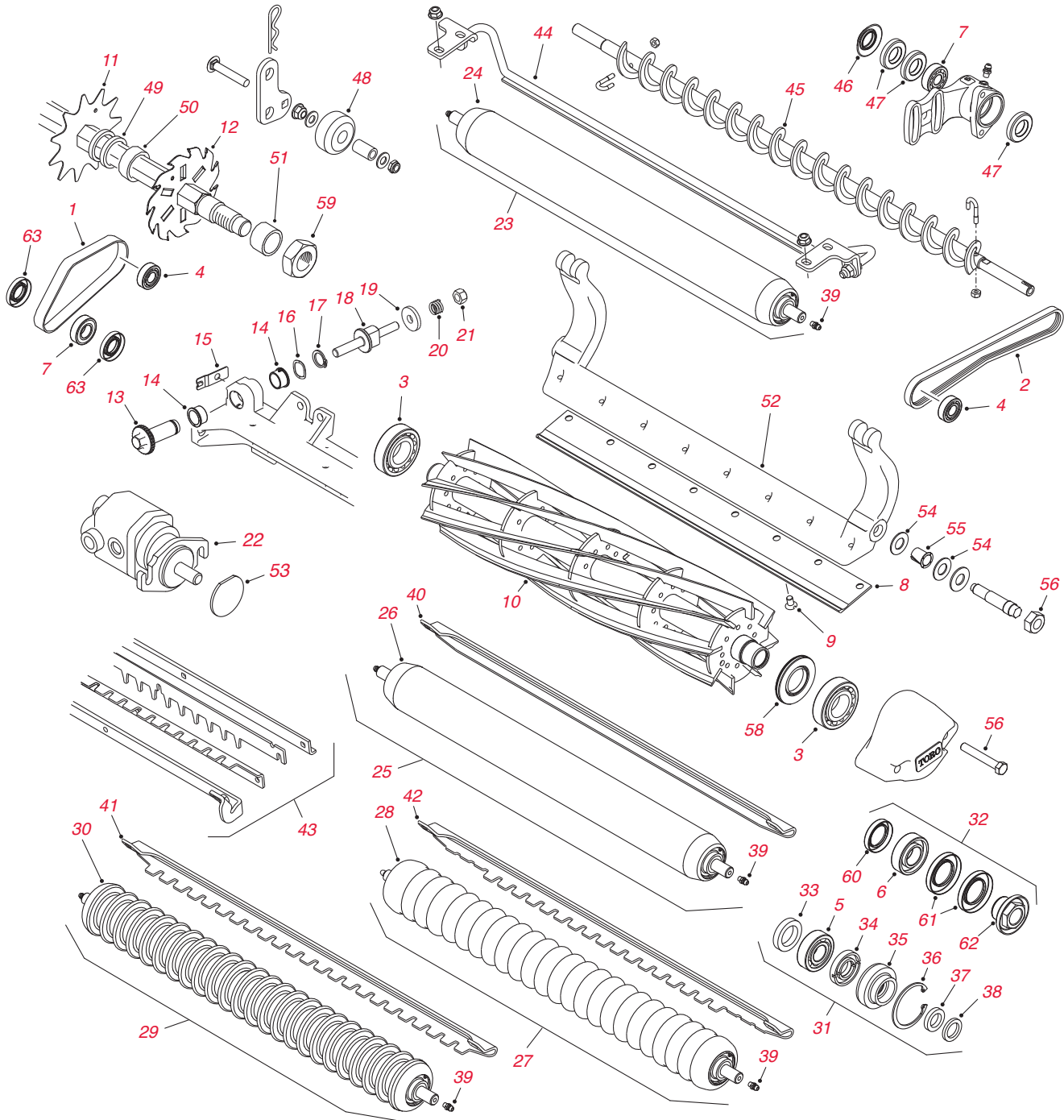
Traction Unit Parts

	Part No.	Description	Qty.	Sale Price
FILTERS				
	108-3810	FILTER-AIR	1	
	114-4057	ELEMENT-SAFETY, 5 INCH	1	
	125-7025	FILTER	1	
	125-2915	FILTER-SPIN ON	1	
	125-8752	FILTER-FUEL	1	
	127-3075	FILTER ASM	1	
	86-3010	FILTER-OIL	1	
	94-2621	ELEMENT-FILTER	1	
	125-2914	SEPARATOR FILTER ASM	1	
	108-3814	FILTER-AIR (RM 5510D)	1	
	108-3816	FILTER-AIR (RM 5510D)	1	
BEARINGS				
	127-2958	BEARING-BALL	1	
	127-2983	BEARING-BALL	1	
	254-94	BEARING-CONE, TAPERED	1	
	105-8118	Bearing-Cone	1	
	105-8120	Bearing-Cone	1	
	112-5290	BEARING-STEEL, STAINLESS	1	
	120-3366	BEARING	1	
	125-5279	BEARING-ROLLER	1	
	120-4621	BEARING (5010-H)	1	
	125-7249	BEARING, BALL	1	
	125-7251	BEARING-BALL	1	
	125-7252	BEARING-BALL	1	
	125-7253	BEARING-BALL	1	
	119-8558	BEARING-BALL	1	
	99-7532	BEARING-ROLLER, TAPER	1	
	99-7532	BEARING-ROLLER, TAPER	1	
	99-7534	BEARING-BALL	1	
	93-7775	BEARING-BALL	1	
	99-7570	BEARING-ROLLER, TAPER	1	
BELTS				
	127-2998	V-BELT	1	
TIRES				
	117-5125	REAR TIRE (20 x 12 - 10) 4-Ply TURF TRAC; (RM 5410D)	2	
	117-5196	FRONT TIRE (26.5 x 14 - 12) 2-Ply, Turf Trac; (RM 5410D)	2	
	115-1572	REAR TIRE (20 x 10 - 10) 4-Ply TURF TRAC; (RM 5510D)	2	
	119-0023	TIRE (RM 5510D)	2	
STARTERS & ALTERNATORS				
	127-3818	STARTER ASM	1	
	125-7003	STARTER	1	

REELMASTERS

TIER 4 REELMASTER® 5010-H / 5210 / 5410 / 5510 / 5610

MODELS: 03672 / 03687



Cutting Unit & Verticutter Parts

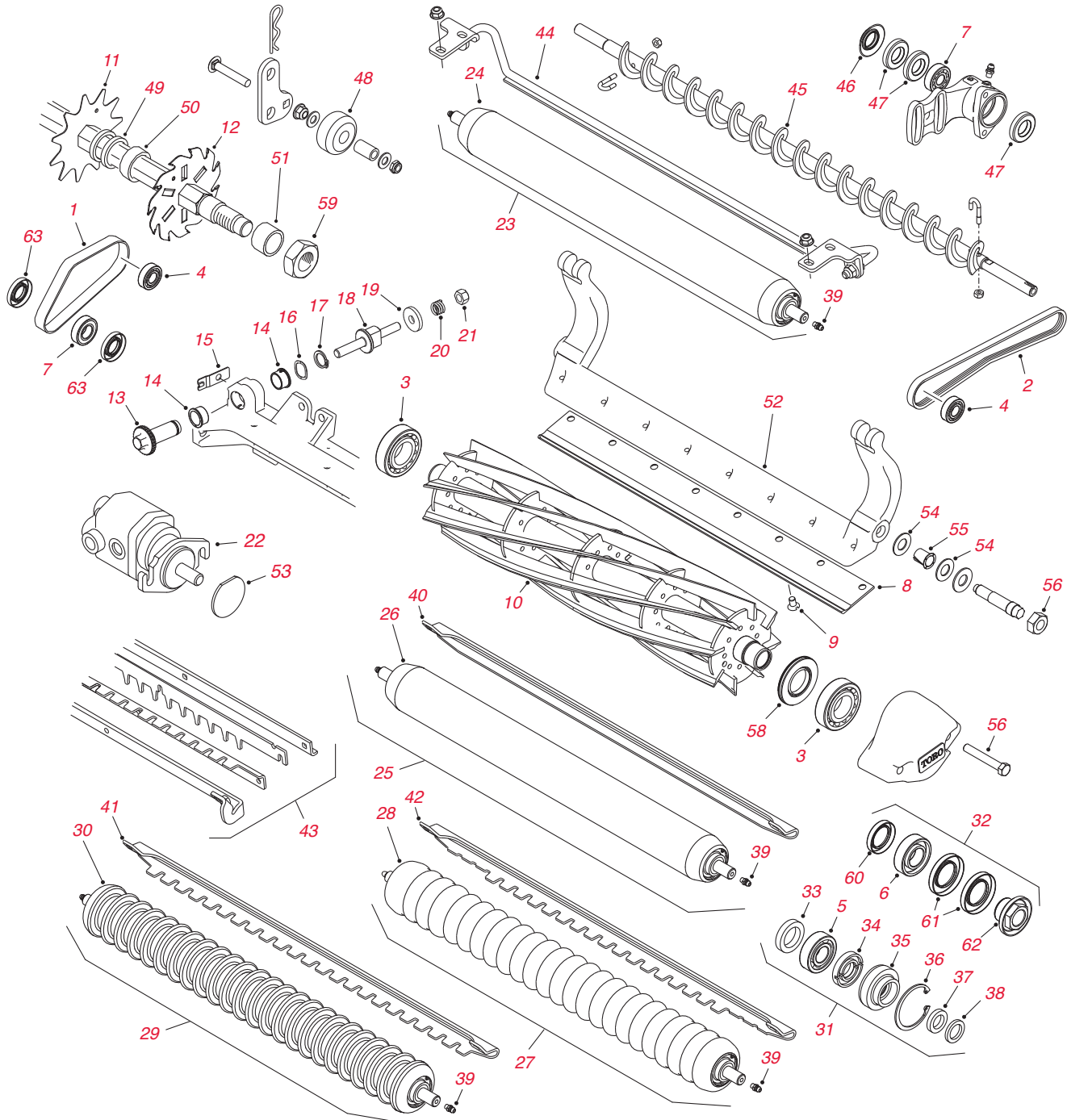
Ref. No.	Part No.	Description	Qty.	Sale Price
1	108-4497	BELT - GROOMER DRIVE (RM 5210/5410)	1	
1	110-1716	BELT - GROOMER DRIVE (RM 5510/5610)	1	
2	110-1746	BELT - REAR ROLLER BRUSH DRIVE (5210/5410)	1	
2	110-1747	BELT - REAR ROLLER BRUSH DRIVE (5510/5610)	1	
2	115-0894	BELT - BRUSH DRIVE ASM	1	
3	93-2489	BEARING - REEL	2	
4	93-2559	BEARING - (GROOMER/ROLLER BRUSH DRIVE)	1	
5	109966	BEARING - ROLLER	4	
6	112-5290	BEARING - STAINLESS STEEL	1	
7	95-0707	BEARING - BALL (REAR ROLLER BRUSH/GROOMER DRIVE)	2	
	117-0978	ORDER 120-1640		
8	120-1640	BEDKNIFE - FAIRWAY-CUT EXTENDED	1	
8	108-9095	BEDKNIFE - FAIRWAY-CUT - EDGEMAX	1	
8	108-9096	BEDKNIFE - FAIRWAY-CUT	1	
8	110-4074	BEDKNIFE - FAIRWAY-CUT - HEAVY DUTY	1	
8	110-4084	BEDKNIFE - LOW-CUT	1	
	57-4910	ORDER 119-4151	8	
9	119-4151	SCREW - BEDKNIFE	8	
	108-9070	ORDER 127-2070		
10	127-2070	REEL ASSEMBLY CUTTING UNIT 03661, 03695 - 5 BLADE (5" DIA - RM 5210/5410)	1	
	108-9071	ORDER 127-2071		
10	127-2071	REEL ASSEMBLY CUTTING UNIT 03661 - 8 BLADE (5" DIA - RM 5210/5410)	1	
	119-4270	ORDER 127-2065		
10	127-2065	REEL ASSEMBLY CUTTING UNIT 03694 - 8 BLADE (5" DIA - RM 5210/5410)		
	117-3793	ORDER 127-2066		
10	127-2066	REEL ASSEMBLY - 11 BLADE (5" DIA - RM 5210/5410)	1	
	108-9072	ORDER 127-2077		
10	127-2077	REEL ASSEMBLY CUTTING UNIT 03682 - 5 BLADE (7" DIA - RM 5510/5610)	1	
	108-9073	ORDER 127-2078		
10	127-2078	REEL ASSEMBLY CUTTING UNIT 03681 - 8 BLADE (7" DIA - RM 5510/5610)	1	
	107-3264	ORDER 127-2084		
10	127-2084	REEL ASSEMBLY CUTTING UNIT 03696 - 8 BLADE (7" DIA - RM 5510/5610)		
	108-9074	ORDER 127-2079		
10	127-2079	REEL ASSEMBLY CUTTING UNITS 03863, 03864 - 11 BLADE, (7" DIA - RM 5510/5610)	1	
	117-0980	ORDER 127-2085		
10	127-2085	REEL ASSEMBLY CUTTING UNIT 03697 - 11 BLADE, (7" DIA - RM 5510/5610)	1	
10	131-3203	REEL ASSEMBLY CUTTING UNIT 03634 - 8 BLADE, (5" DIA - RM 5010-H)	1	
10	131-3204	REEL ASSEMBLY CUTTING UNIT 03635 - 11 BLADE (5" DIA - RM 5010-H)	1	
10	131-6805	REEL ASSEMBLY CUTTING UNIT 03638 - 8 BLADE (7" DIA - RM 5010-H)	1	
10	131-6809	REEL ASSEMBLY CUTTING UNIT 03639 - 8 BLADE (7" DIA - RM 5010-H)	1	
10	131-6801	REEL ASSEMBLY CUTTING UNIT 03641 - 11 BLADE (7" DIA - RM 5010-H)	1	
10	132-7109	EDGESERIES REEL - 8 BLADE RR (5" DIA - CUTTING UNITS 03621/03623/03634/03635)	1	
10	132-7112	EDGESERIES - 11 BLADE FSR (5" DIA - CUTTING UNITS 03621/03623/03634/03635)	1	
10	133-8205	EDGESERIES REEL - 5 BLADE RR (7" DIA - CUTTING UNITS 03638/03639/03641/03636/03637)	1	
10	131-6805	EDGESERIES REEL - 8 BLADE RR (7" DIA - CUTTING UNITS 03638/03639/03641/03636/03637)	1	
10	131-6809	EDGESERIES REEL - 8 BLADE FSR (7" DIA - CUTTING UNITS 03638/03639/03641/03636/03637)	1	
10	131-6801	EDGESERIES REEL - 11 BLADE FSR (7" DIA - CUTTING UNITS 03638/03639/03641/03636/03637)	1	
10	133-8201	EDGESERIES REEL - 8 BLADE RR (5" DIA - CUTTING UNITS 03661/03694/03695)	1	
10	133-8203	EDGESERIES REEL - 11 BLADE FSR (5" DIA - CUTTING UNITS 03661/03694/03695)	1	
10	133-8211	EDGESERIES REEL - 8 BLADE RR (7" DIA - CUTTING UNITS 03681/03682/03863/03864/03697/03698/03699)	1	
22	120-2072	REEL MOTOR (5210 & 5410)	1	

*Not illustrated. **See pages 18-34 for Kit contents.

REELMASTERS

TIER 4 REELMASTER® 5010-H / 5210 / 5410 / 5510 / 5610

MODELS: 03672 / 03687



Cutting Unit & Verticutter Parts - continued

Ref. No.	Part No.	Description	Qty.	Sale Price
11	17-1590	BLADE - 11 TOOTH (STD)	37	
12	106-6355	BLADE - DETHATCHING REEL (2MM CARBIDE TIPPED)	37	
*	106-6392**	Dethatching Reel Blade MVP Kit (108 Blades 106-6355)	A/R	
13	106-5363	ADJUSTER	2	
14	106-5344	BUSHING - KEYED FLANGE	4	
15	99-2097	DETENT	2	
17	32120-93	RING - RETAINING	2	
18	99-2096	SCREW - ADJUSTER	2	
19	99-2098	WASHER	2	
20	99-3755	ORDER 119-4156	2	
20	119-4156	SPRING - COMPRESSION	2	
21	33025-00	NUT - LOCK	2	
*	108-6487	ORDER 112-9200	1	
*	112-9200	ORDER 120-2072		
23	110-4066	REAR ROLLER ASSEMBLY - 2.5" SHORT (RM 5210/5410 2006-07)	1	
23	110-4065	REAR ROLLER ASSEMBLY - 3" SHORT (RM 5510/5610 2006-07)	1	
23	107-4040	REAR ROLLER ASSEMBLY - 2.5" LONG (RM 5210/5410 2006-07)	1	
23	107-4024	REAR ROLLER ASSEMBLY - 3" LONG (RM 5510/5610 2006-07)	1	
23	107-4040	REAR ROLLER ASSEMBLY - 2.5" LONG (VERTICUTTER 2006-07)	1	
23	114-5406	REAR ROLLER ASSEMBLY - 2.5" SHORT (RM 5210/5410 2008 & UP)	1	
23	114-5417	REAR ROLLER ASSEMBLY - 3" SHORT (RM 5510/5610 2008 & UP)	1	
23	114-5404	REAR ROLLER ASSEMBLY - 2.5" LONG (RM 5210/5410 2008 & UP)	1	
23	114-5415	REAR ROLLER ASSEMBLY - 3" LONG (RM 5510/5610 2008 & UP)	1	
23	114-5404	REAR ROLLER ASSEMBLY - 2.5" LONG (VERTICUTTER 2008 & UP)	1	
24	110-4063-03	TUBE - REAR 2.5" SHORT ROLLER (RM 5210/5410 2006-07)	1	
24	110-4064-03	TUBE - REAR 3" SHORT ROLLER (RM 5510/5610 2006-07)	1	
24	107-3299-03	TUBE - REAR 2.5" LONG ROLLER (RM 5210/5410 2006-07)	1	
24	100-9943-03	TUBE - REAR 3" LONG ROLLER (RM 5510/5610 2006-07)	1	
24	107-3299-03	TUBE - REAR 2.5" LONG ROLLER (VERTICUTTER 2006-07)	1	
24	114-5409-03	ORDER 115-8293-03	1	
24	115-8293-03	TUBE - REAR 2.5" SHORT ROLLER (RM 5210/5410 2008 & UP)	1	
24	114-5418-03	TUBE - REAR 3" SHORT ROLLER (RM 5510/5610 2008 & UP)	1	
*	115-8294-03	TUBE - REAR 2.5" LONG ROLLER (RM 5210/5410 2008 & UP)		
24	114-5416-03	ORDER 115-8292-03	1	
*	115-8292-03	TUBE - REAR 3" LONG ROLLER (RM 5510/5610 2008)		
24	115-8294-03	TUBE - REAR 2.5" LONG ROLLER (VERTICUTTER 2008 & UP)	1	
25	110-9605	FRONT ROLLER ASSEMBLY - 3" FULL (RM 52/54/55/5610 2006-07)	1	
25	110-9614	ORDER 114-5419	1	
25	114-5412	FRONT ROLLER ASSEMBLY - 3" FULL (RM 52/54/55/5610 2008 UP)	1	
25	114-5419	FRONT ROLLER ASSEMBLY - 2.5" FULL		
26	110-9612-03	TUBE - FRONT 3" FULL ROLLER (RM 52/54/55/5610 2006-07)	1	
26	110-9615-03	ORDER 114-5419	1	
26	114-5419	TUBE - FRONT 2.5" FULL ROLLER (VERTICUTTER 2006-07)	1	
	114-5413-03	ORDER 115-8297-03		
26	115-8297-03	TUBE - FRONT 3" FULL ROLLER (RM 52/54/55/5610 2008 UP)	1	
26	115-8295-03	TUBE - FRONT 2.5" FULL ROLLER (VERTICUTTER 2008 & UP)	1	
27	110-9608	ORDER 114-5421	1	
27	114-5421	FRONT ROLLER ASSEMBLY - PLASTIC SHOULDER (2008 & UP)	1	
28	110-9611	TUBE - FRONT PLASTIC SHOULDER ROLLER (2006-07)	1	
28	114-5422	TUBE - FRONT PLASTIC SHOULDER ROLLER (2008 & UP)	1	
29	110-4050	ORDER 114-5400	1	
29	114-5400	FRONT ROLLER ASSEMBLY - PLASTIC WIEHLE	1	
30	110-4051	ORDER 114-5400	1	
30	114-5401	TUBE - FRONT PLASTIC WIEHLE ROLLER (2008 & UP)	1	
31	106-9606**	Roller Rebuild MVP Kit (Bearings 109966 - 2006-07)	A/R	
32	114-5430**	Roller Rebuild MVP Kit (Bearings 112-5290 - 2008 & Up)	A/R	
33	93-3007	SEAL - INNER ROLLER	4	

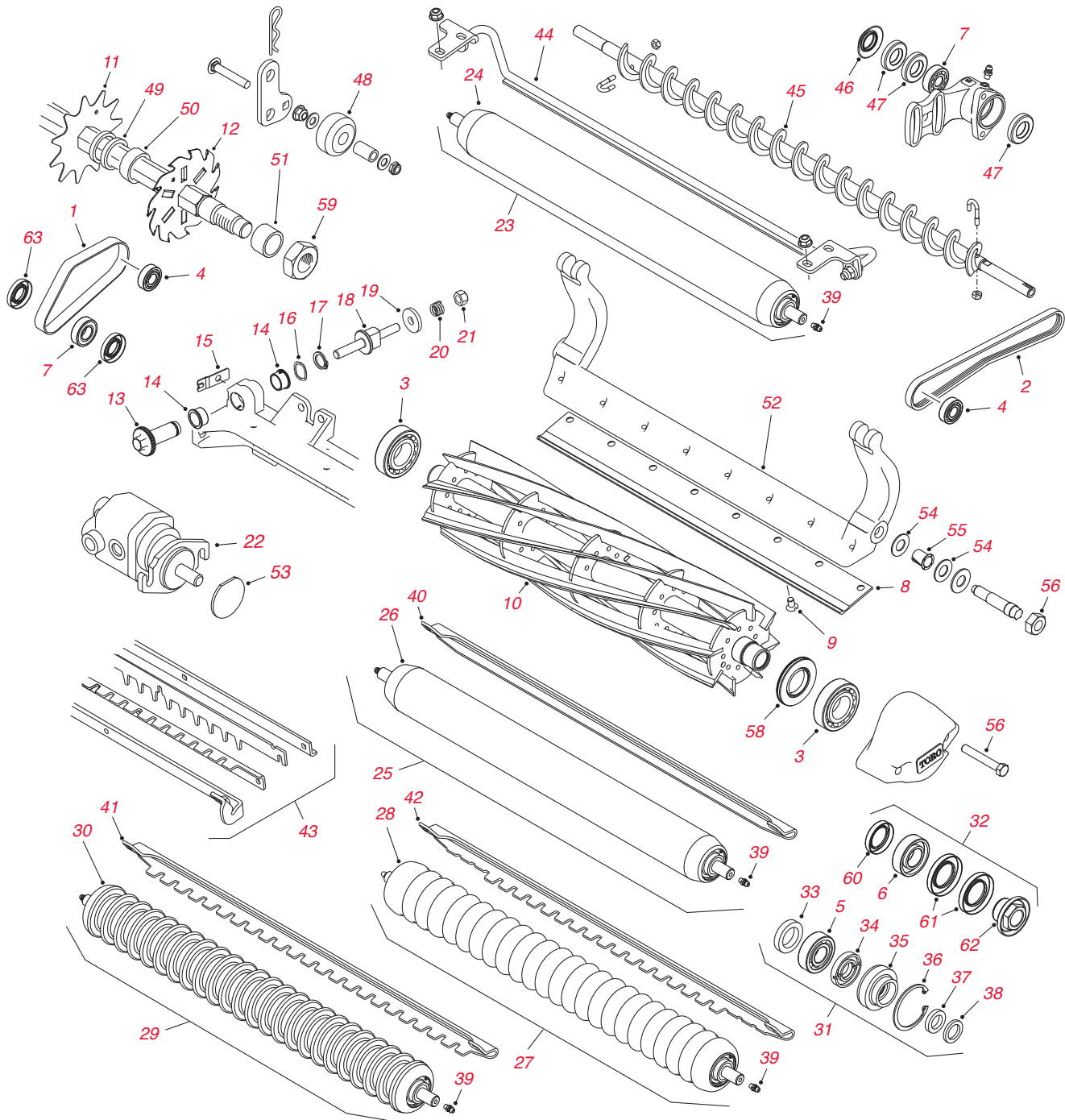
*Not illustrated. **See pages 18-34 for Kit contents.

Prices subject to change without notice. NOTE: Please see your Parts Catalog or Master Parts Viewer to ensure ordering the correct part; the part needed may not be listed. **Not sold separately.

REELMASTERS

TIER 4 REELMASTER® 5010-H / 5210 / 5410 / 5510 / 5610

MODELS: 03672 / 03687



Cutting Unit & Verticutter Parts - continued

Ref. No.	Part No.	Description	Qty.	Sale Price
34	93-1251	SEAL - INNER	2	
35	93-1252	SEAL - OUTER	2	
3	253-70	SEAL - OUTER	4	
37	93-2931	WASHER - ROLLER	2	
38	32120-62	RING - RETAINING	2	
39	302-5	FITTING - GREASE	2	
40	108-4475-03	SCRAPER - 2.5" FULL FRONT ROLLER (VERTICUTTER)	1	
40	110-9602-03	SCRAPER - 3" FRONT FULL ROLLER	1	
41	107-2993-03	SCRAPER - PLASTIC WIEHLE ROLLER	1	
42	110-9609-03	SCRAPER - SHOULDER ROLLER	1	
43	110-1735	COMB SCRAPER KIT	1	
44	107-3280	SCRAPER KIT - REAR ROLLER	1	
45	108-4190	REAR ROLLER BRUSH ASSEMBLY	1	
*	110-4086**	Groomer & Rear Roller Brush Bearing MVP Kit (DPA)		A/R
	133-0150**	RM5010 5" Universal Groomer Kit (Cutting Unit 03763)		1
	133-0151**	RM5010 7" Universal Groomer Kit (Cutting Unit 03768)		1
	133-0153**	RM5010 5" x 22" RRB Kit for Universal Groomer (Cutting Unit 03658)		1
	133-0154**	RM5010 7" x 22" RRB Kit for Universal Groomer (Cutting Unit 03659)		1
	133-0157**	RM5010 5" x 22" RRB Kit without Universal Groomer (Cutting Unit 03406)		1
	133-0158**	RM5010 7" x 22" RRB Kit without Universal Groomer (Cutting Unit 03408)		1
46	108-4172	SEAL - EXCLUDER (REAR ROLLER BRUSH)	2	
47	106-8530	SEAL - GREASE (REAR ROLLER BRUSH)	5	
48	108-4293	ROLLER - KICKSTAND (VERTICUTTER)	2	
49	17-1600	SPACER - .25"	72	
50	17-1580	Spacer - .5"		A/R
51	82-6600	SPACER - .73"	2	
52	107-3273-01	BEDBAR	1	
53	2410-30	CAP - REEL MOTOR	1	
54	61-1950	WASHER - PLASTIC	4	
55	56-9520	BUSHING - FLANGED	2	
56	3296-33	NUT - LOCK	2	
57	322-12	SCREW - CAP HEX HD	2	
58	107-4028	SEAL - GREASE	2	
59	67-5840	NUT - LOCK	1	
60	114-3717	SEAL - INNER	1	
61	112-7494	SEAL - OUTER	2	
62	114-5411	NUT - BEARING LOCK	1	
63	106-8530	SEAL - BEARING	5	
*	29-9100	BRUSH AND HANDLE ASM (RM 5410/5510/5610)	1	

*Not illustrated. **See pages 18-34 for Kit contents.

Prices subject to change without notice. NOTE: Please see your Parts Catalog or Master Parts Viewer to ensure ordering the correct part; the part needed may not be listed. **Not sold separately.

REELMASTERS

REELMASTER® 6500D / 6700D

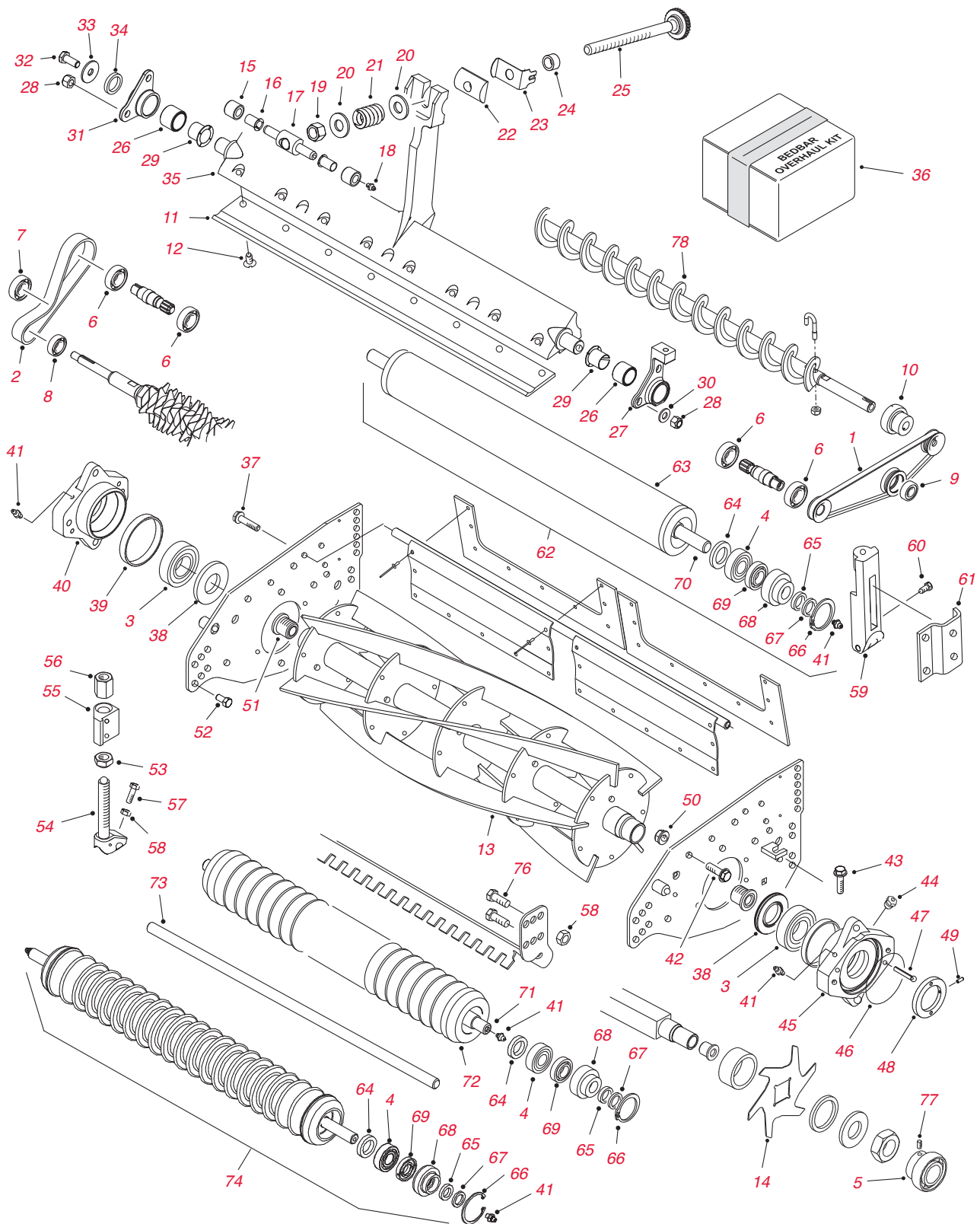
Traction Unit Parts

	Part No.	Description	Qty.	Sale Price
FILTERS				
	74-7970	ORDER 108-3837	1	
	108-3837	FILTER - ENGINE OIL (RM 6500D/6700D 1995-01)	1	
	99-8384	ORDER 108-3841	1	
	104-5167	ORDER 108-3841	1	
	108-3841	FILTER - ENGINE OIL (RM 6500D/6700D 2001 & UP)	1	
	93-9162	ORDER 108-3812	1	
	108-3812	ELEMENT - AIR CLEANER OUTER	1	
	93-9163	ORDER 108-3813	1	
	108-3813	ELEMENT - AIR CLEANER INNER	1	
	98-7612	FILTER - FUEL, PLASTIC	1	
	108-3828	FILTER - FUEL, METAL	1	
	76-5220	ELEMENT - FUEL FILTER (RM 6500D/6700D 1995-01)	1	
	99-8358	ELEMENT - FUEL FILTER (RM 6500D/6700D 2001-02)	1	
	98-9764	ELEMENT - WATER/FUEL FILTER (2003-2007)	1	
	110-9049	ELEMENT - WATER/FUEL FILTER (2008 & UP)	1	
	112-9140	BIO-DIESEL FUEL FILTER KIT	1	
	112-8400	BIO-DIESEL FUEL PUMP KIT		
	110-9015	ELEMENT - SEPARATOR (BIO-DIESEL KIT)	1	
	112-7836	IN-LINE FUEL FILTER (BIO-DIESEL KIT)	1	
	94-2621	FILTER - HYDRAULIC	1	
	98-9493	ELEMENT - BREATHER (RM 6500D/6700D)	1	
	30014**	400 Hour Filter MVP Kit (RM 6500D/6700D - 2003-07)	A/R	
	30057**	400 Hour Filter MVP Kit (RM 6500D/6700D - 2008 & Up)	A/R	
BELTS				
	94-3256	MULTI-ROW V-BELT - ALTERNATOR DRIVE - PEUGEOT	1	
	98-9676	V-BELT - ALTERNATOR DRIVE - KUBOTA	1	
	74-8830	BELT - TIMING (1995-2000 SERIAL 210999999)	1	
TIRES				
	94-8143	ORDER 95-3465 (6500D/6700D)	2	
	95-3465	TIRE - FRONT (29 X 14 - 15) 4-PLY (6500D/6700D)	2	
	100-6700	ORDER 95-3465 (6500D/6700D)	2	
	95-3465	TIRE - FRONT (29 X 14 - 15) 4-PLY ULTRA-TRAC (6500D/6700D)	2	
	86-5910	TIRE - REAR (20 X 10 - 10) 6-PLY (6500D/6700D)	2	
HOSES				
	105-0139**	Cutting Unit Hydraulic Hose MVP Kit (5 Primary Units)	A/R	
	105-0140**	Cutting Unit Hydraulic Hose MVP Kit (2 Wing Units)	A/R	
STARTER & ALTERNATOR				
	112-1352	STARTER (1998-2001 - PEUGEOT)	1	
	98-9705	STARTER (2001 & UP - KUBOTA)	1	
	112-1364	ALTERNATOR (1995-2001 - PEUGEOT)	1	
	131-6557	ALTERNATOR (2001 & UP - KUBOTA)	1	
OTHER				
	104-4620	SEAT-STD	1	
	115-5305	CAP-FUEL	1	
	108-0638	BOTTLE-OVERFLOW	1	

*Not illustrated. **See pages 18-34 for Kit contents.

REELMASTERS

REELMASTER® 5500D / 6500D / 6700D



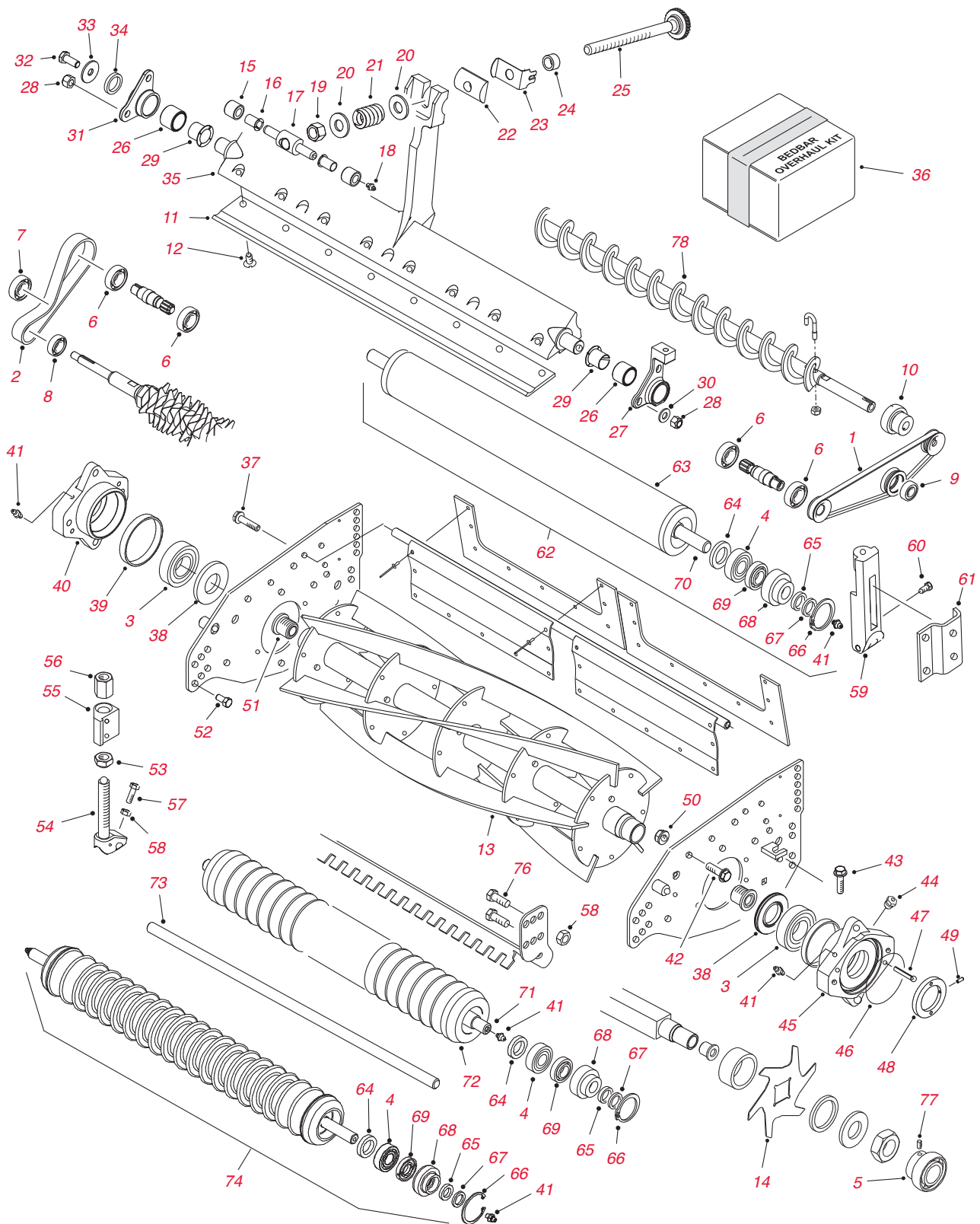
SPA (Single Point Adjust) Cutting Unit Parts

Ref. No.	Part No.	Description	Qty.	Sale Price
1	105-6795	ORDER 108-6713	1	
1	108-6713	BELT - REAR ROLLER BRUSH DRIVE	1	
2	108-0617	BELT - GROOMER DRIVE	1	
3	93-2489	BEARING - REEL (1995-01)	2	
3	105-3827	BEARING - REEL (2002 & UP)	2	
4	109966	BEARING - ROLLER	4	
5	94-2710	BEARING - DETHATCHER	2	
6	98-5215	BEARING - GROOMER & REAR ROLLER BRUSH DRIVE	2	
7	38-7820	BEARING - GROOMER BELT IDLER	1	
8	95-0707	BEARING - GROOMER SHAFT	2	
9	251-259	BEARING - REAR ROLLER BRUSH IDLER	1	
	104-1842	ORDER 132-6979		
10	132-6979	BEARING - REAR ROLLER BRUSH SHAFT	2	
11	93-9774	BEDKNIFE - LOW-CUT	1	
11	94-8936	BEDKIFE - LOW-CUT EXTENDED	1	
11	98-3994	ORDER 104-1810	1	
11	104-1810	BEDKNIFE - HIGH-CUT	1	
11	108-9095	BEDKNIFE - FAIRWAY-CUT - EDGEMAX	1	
	57-4910	ORDER 119-4151	8	
12	119-4151	SCREW - SPECIAL	8	
	94-4337	ORDER 130-0095		
13	130-0095	REEL - 5 BLADE	1	
	94-4338	ORDER 130-4114		
13	130-4114	REEL - 11 BLADE	1	
	95-2770	ORDER 130-0099		
13	130-0099	REEL - 7 BLADE	1	
14	93-3038-03	BLADE - DETHATCHER (STANDARD)	16	
14	106-8625	BLADE - DETHATCHER (CARBIDE TIPPED)	16	
15	62-5510	BUSHING	2	
16	52-2890	BUSHING - PLASTIC	2	
17	57-5260	ORDER 107-7490	1	
17	107-7409	PIN - BEDBAR PIVOT	1	
18	302-18	FITTING - GREASE	1	
19	3296-62	NUT - LOCK	1	
20	29-8910	WASHER	2	
21	93-2915	ORDER 95-0772	1	
21	95-0772	SPRING - COMPRESSION	1	
22	93-2892	PIVOT - BEADBAR	1	
23	95-8752	ARM - SPRING	1	
24	93-2959	SPACER - ADJUSTER	1	
25	95-2762	ORDER 106-7536	1	
25	95-8877	ORDER 106-7536	1	
25	106-7536	ADJUSTER - BEDBAR	1	
26	93-7501	BUSHING ASSEMBLY	2	
27	93-2512	ORDER 100-3381	1	
27	100-3381	HUB - BEDBAR PIVOT LH	1	
28	33024-00	NUT - HEX LOCK	4	
29	93-7502	BUSHING - FLANGE	2	
30	3256-74	WASHER - FLAT	4	
31	93-2513	ORDER 100-3380	1	
31	100-3380	HUB - BEADBAR PIVOT RH	1	
32	33104-020	SCREW - CAP HEX HD	1	
33	3256-82	WASHER - FLAT	1	
34	93-7510	SEAL - QUAD RING	1	
35	95-3458	ORDER 99-8698-01	1	
35	99-8698-01	BEDBAR	1	
36	106-9605**	Bedbar Overhaul MVP Kit (SPA)	A/R	

*Not illustrated. **See pages 18-34 for Kit contents.

REELMASTERS

REELMASTER® 5500D / 6500D / 6700D



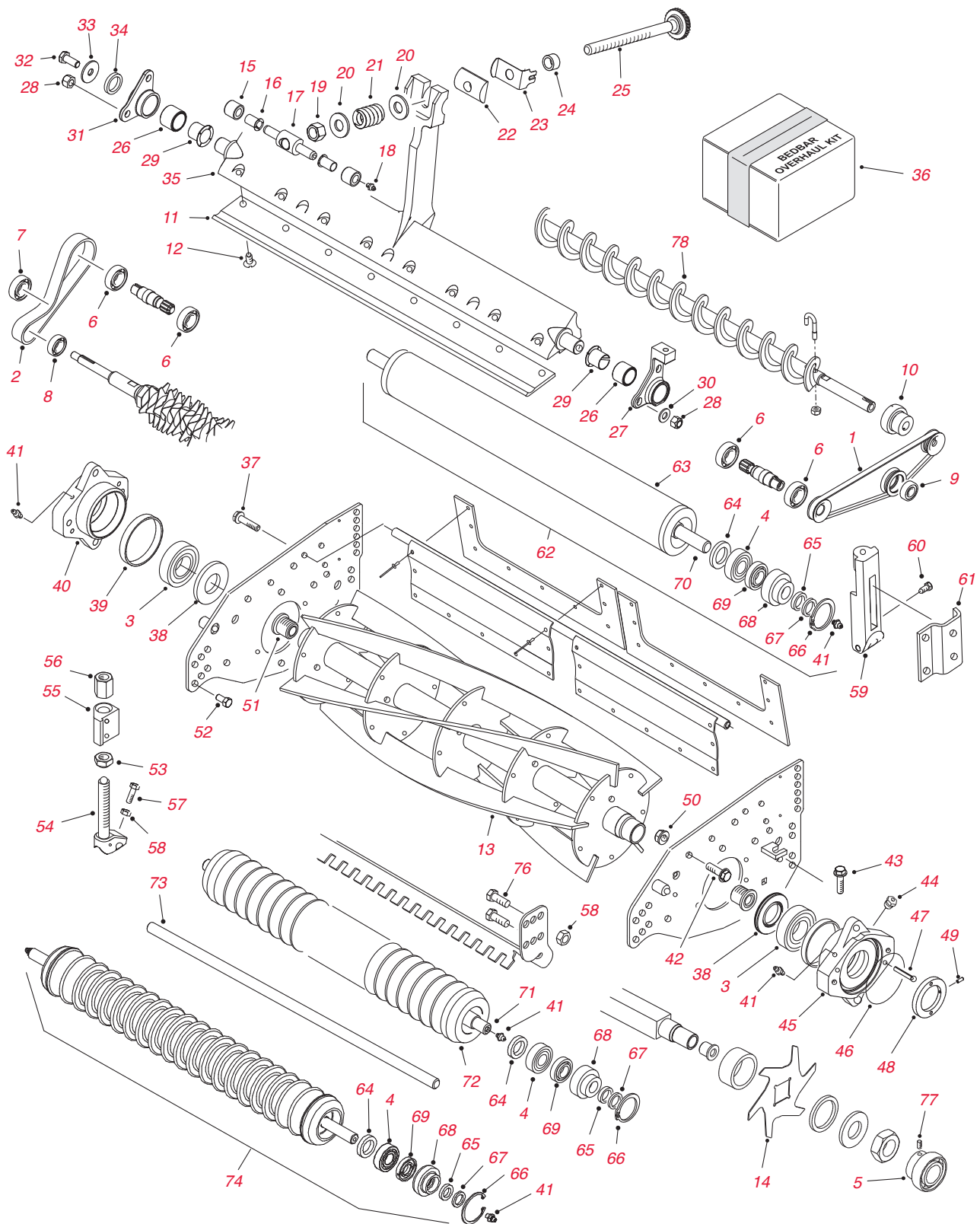
SPA (Single Point Adjust) Cutting Unit Parts - continued

Ref. No.	Part No.	Description	Qty.	Sale Price
37	33104-040	BOLT - GRASS SHIELD PIVOT	1	
38	93-2483	ORDER 94-8908	2	
38	94-8908	SEAL - GREASE (1995-01)	2	
38	105-6757	ORDER 107-4028	2	
38	107-4028	SEAL - GREASE (2002 & UP)	2	
39	93-2922	ORDER 93-9793	1	
39	93-9793	RING - BEARING	1	
40	93-9794	HOUSING - RH (INCL #32)	1	
41	302-5	FITTING - GREASE	2	
42	33105-025	SCREW - CAP	8	
43	94-3489	SCREW - ADJUST (1997 & UP)	1	
44	302-34	FITTING - BREATHER	2	
45	93-9795	HOUSING - LH (INCL #32)	1	
46	93-9783	SEAL - O-RING (REEL)	4	
47	32121-69	PIN - ROLL	4	
48	93-9786	ORDER 99-5672	1	
48	95-2793	NUT - BEARING ADJUST	1	
48	99-5672	NUT - BEARING ADJUST	1	
49	3245-42	SCREW - SET	1	
50	33025-00	NUT - LOCK	12	
51	94-2732	INSERT - THREADED R.H.	1	
*	94-2733	INSERT - THREADED L.H.	1	
52	33115-016	SCREW - CAP HEX HD	4	
53	95-2789	NUT - SHORT	2	
54	95-2783	ORDER 100-7100	2	
54	100-7100	ROD - SUPPORT	2	
54	100-2263	ROD - SUPPORT	2	
55	95-7733-01	BRACKET - HOC	2	
55	100-2261-01	BRACKET - HOC (FRONT)	2	
55	100-2262-01	BRACKET - HOC (REAR)	2	
56	95-2790	NUT - LONG	2	
57	33114-025	SCREW - HEX HD	2	
58	32128-20	NUT - LOCK	1	
59	93-2904-01	BRACKET - REAR ROLLER	2	
	93-9757	ORDER 33114-016	4	
60	33114-016	SCREW	4	
61	61-0910	BRACKET - REAR ROLLER	2	
	99-5720	ORDER 114-5415	1	
62	114-5415	3" REAR FULL ROLLER ASSEMBLY (LONG)	1	
62	99-5749	3" FULL ROLLER ASM	1	
*	106-9606**	Roller Rebuild MVP Kit	A/R	
63	98-7966	REAR ROLLER ASSEMBLY (2.5" X 20.5") (EARLY 03853/54/56)	1	
63	94-4335	ROLLER TUBE ASSEMBLY (LATER MODELS 03853/54/56)	1	
64	93-3007	SEAL - INNER ROLLER	4	
65	253-70	SEAL - OUTER	4	
66	32120-62	RING - RETAINING	2	
67	93-2931	WASHER - ROLLER	2	
68	93-1252	SEAL - OUTER	2	
69	93-1251	SEAL - INNER	2	
70	93-1256	SHAFT - REAR ROLLER (FOR 98-7966) (EARLY 03853/54/56)	1	
70	94-4328	SHAFT - REAR ROLLER (FOR 94-4335) (LATER 03853/54/56)	1	

*Not illustrated. **See pages 18-34 for Kit contents.

REELMASTERS

REELMASTER® 5500D / 6500D / 6700D

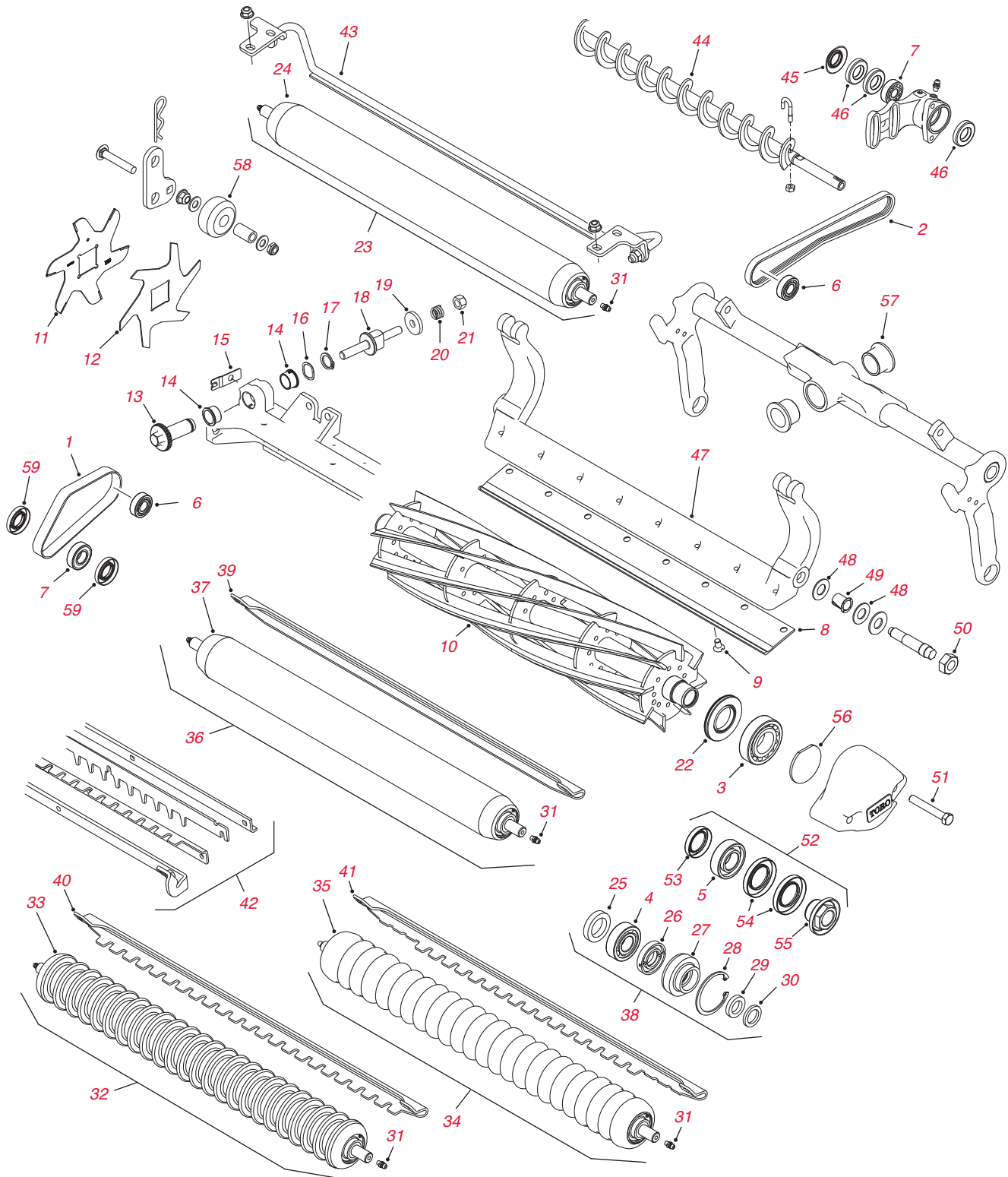


SPA (Single Point Adjust) Cutting Unit Parts - continued

Ref. No.	Part No.	Description	Qty.	Sale Price
71	94-4329	SHAFT - GROOVED ROLLER	1	
72	94-4330	ORDER 99-8686	1	
72	99-8686	WIEHLE ROLLER ASSEMBLY	1	
72	100-9905-03	WIEHLE ROLLER TUBE ASSEMBLY	1	
72	100-9906	WIEHLE ROLLER ASSEMBLY	1	
73	93-2887	SHAFT - FRONT FULL ROLLER	1	
74	99-8675	SHOULDER WHEILE ROLLER ASSEMBLY	1	
74	100-9910-03	SHOULDER WHEILE ROLLER	1	
76	33105-030	SCREW - HEX HD	4	
77	3245-1	SCREW - SET	1	
78	104-1829	ORDER 105-6792	1	
78	105-6792	REPLACEMENT REAR ROLLER BRUSH	1	
*	106-9627**	Rear Roller Brush Rebuild MVP Kit (SPA)		A/R

*Not illustrated. **See pages 18-34 for Kit contents.

REELMASTERS
REELMASTER® 6500D / 6700D



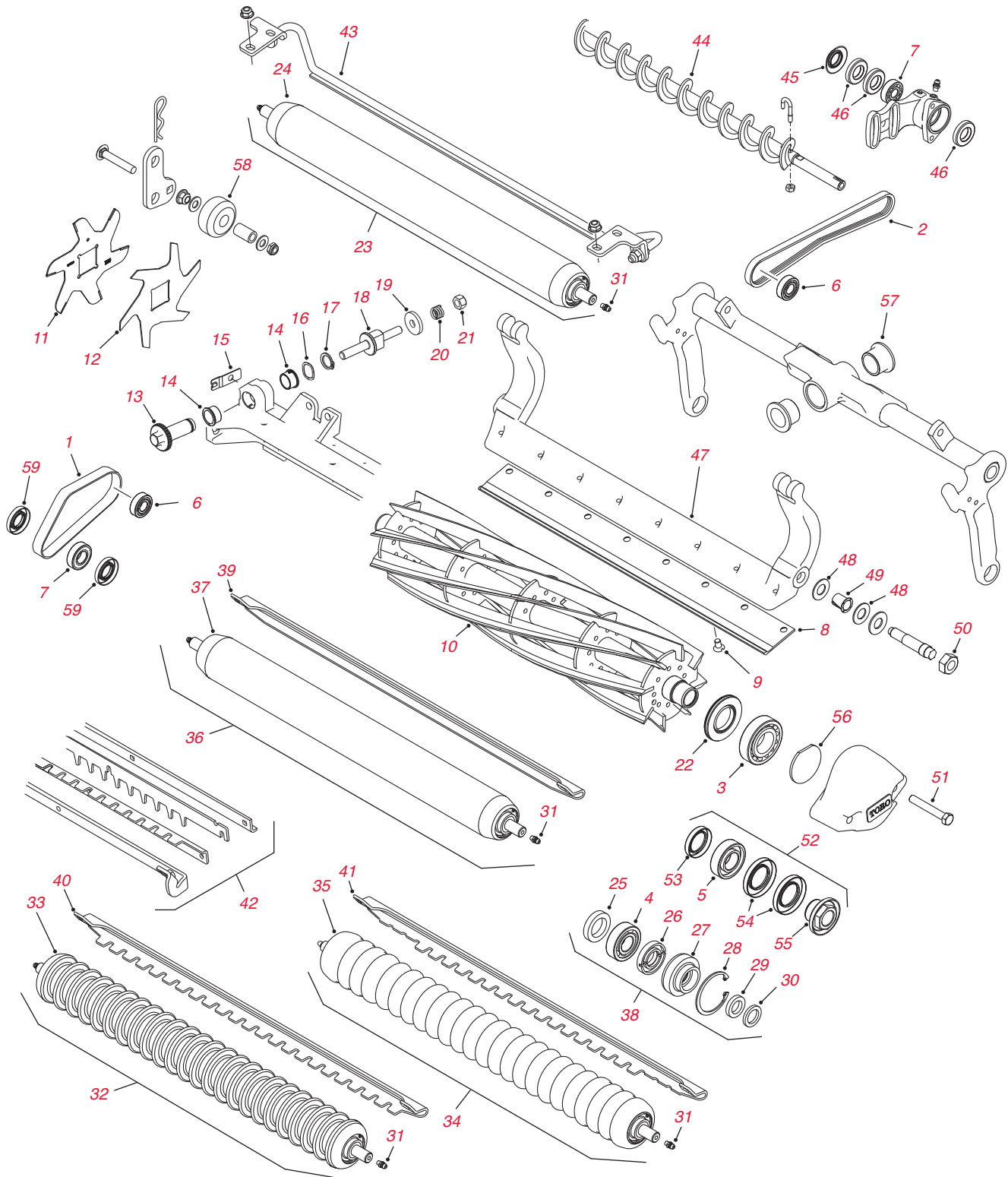
DPA (Dual Point Adjust) Cutting Unit & Verticutter Parts

Ref. No.	Part No.	Description	Qty.	Sale Price
1	110-1716	BELT - GROOMER DRIVE	1	
2	110-1747	BELT - REAR ROLLER BRUSH DRIVE	1	
3	93-2489	BEARING - REEL	2	
4	109966	BEARING - ROLLER	4	
5	112-5290	BEARING - STAINLESS STEEL	1	
6	93-2559	BEARING - REEL (GROOMER/ROLLER BRUSH DRIVE)	1	
7	95-0707	BEARING - BALL (REAR ROLLER BRUSH/GROOMER DRIVE)	2	
	117-0978	ORDER - 120-1640		
8	120-1640	BEDKNIFE - FAIRWAY-CUT EXTENDED	1	
8	108-9095	BEDKNIFE - FAIRWAY-CUT - EDGEMAX	1	
8	108-9096	BEDKNIFE - FAIRWAY-CUT	1	
8	110-4074	BEDKNIFE - FAIRWAY-CUT - HEAVY DUTY	1	
8	110-4084	BEDKNIFE - LOW-CUT	1	
	57-4910	ORDER 119-4151	8	
9	119-4151	SCREW - BEDKNIFE	8	
	108-9072	ORDER 127-2077		
10	127-2077	REEL ASSEMBLY - 5 BLADE	1	
	107-3264	ORDER 127-2084		
10	127-2084	REEL ASSEMBLY - 8 BLADE (7" DIA - RM 6000D)	1	
	108-9073	ORDER 127-2078		
10	127-2078	REEL ASSEMBLY - 8 BLADE	1	
	108-9074	ORDER 127-2079		
10	127-2079	REEL ASSEMBLY - 11 BLADE, 7" DIA (CUTTING UNIT 03684)	1	
	117-0980	ORDER 127-2085		
10	127-2085	REEL ASSEMBLY - 11 BLADE, 7" DIA (CUTTING UNIT 03699)	1	
10	133-8211	EDGESERIES REEL - 8 BLADE RR (7" DIA - CUTTING UNIT 03699)	1	
10	127-0294	EDGESERIES REEL - 11 BLADE FSR (7" DIA - CUTTING UNIT 03699)	1	
11	93-3038-03	BLADE	16	
12	106-8625	BLADE - CARBIDE TIP	16	
13	106-5363	ADJUSTER	2	
14	106-5344	BUSHING - KEYED FLANGE	4	
15	99-2097	DETENT	2	
17	32120-93	RING - RETAINING	2	
18	99-2096	SCREW - ADJUSTER	2	
19	99-2098	WASHER	2	
20	99-375	ORDER 119-4156	2	
20	119-4156	SPRING - COMPRESSION	2	
21	33025-00	NUT - LOCK	2	
22	107-4028	SEAL - GREASE	2	
23	110-4065	REAR ROLLER ASSEMBLY - 3" SHORT (2007)	1	
23	107-4024	REAR ROLLER ASSEMBLY - 3" LONG (2007)	1	
23	107-4040	REAR ROLLER ASSEMBLY - 2.5" LONG (VERTICUT)	1	
23	114-5417	REAR ROLLER ASSEMBLY - 3" SHORT (2008 & UP)	1	
23	114-5415	REAR ROLLER ASSEMBLY - 3" LONG (2008 & UP)	1	
*	104-1834	IDLER BEARING - REAR ROLLER ASSEMBLY	1	
24	110-4064-03	TUBE - REAR 3" SHORT ROLLER (2007)	1	
24	100-9943-03	TUBE - REAR 3" LONG ROLLER (2007)	1	
24	107-3299-03	TUBE - REAR 2.5" LONG ROLLER (VERTICUT)	1	
24	114-5418-03	TUBE - REAR 3" SHORT ROLLER (2008 & UP)	1	
24	115-8292-03	TUBE - REAR 3" LONG ROLLER (2008)	1	
24	115-8292-03	TUBE - REAR 3" LONG ROLLER (2009 & UP)	1	
25	93-3007	SEAL - INNER ROLLER	4	
26	93-1251	SEAL - INNER	2	
27	93-1252	SEAL - OUTER	2	
28	253-70	SEAL - OUTER	4	
29	93-2931	WASHER - ROLLER	2	
30	32120-62	RING - RETAINING	2	
31	302-5	FITTING - GREASE	2	

*Not illustrated. **See pages 18-34 for Kit contents.

Prices subject to change without notice. NOTE: Please see your Parts Catalog or Master Parts Viewer to ensure ordering the correct part; the part needed may not be listed. **Not sold separately.

REELMASTERS
REELMASTER® 6500D / 6700D



DPA (Dual Point Adjust) Cutting Unit & Verticutter Parts - continued

Ref. No.	Part No.	Description	Qty.	Sale Price
32	110-4050	ORDER 114-5400	1	
32	114-5400	FRONT ROLLER ASSEMBLY - PLASTIC WIEHLE	1	
33	110-4051	ORDER 114-5400	1	
33	114-5401	TUBE - FRONT PLASTIC WIEHLE ROLLER (2008 & UP)	1	
34	110-9608	ORDER 114-5421	1	
34	114-5421	FRONT ROLLER ASSEMBLY - PLASTIC SHOULDER (2008 & UP)	1	
35	110-9611	TUBE - FRONT PLASTIC SHOULDER ROLLER (2007)	1	
35	114-5422	TUBE - FRONT PLASTIC SHOULDER ROLLER (2008 & UP)	1	
36	110-9605	FRONT ROLLER ASSEMBLY - 3" FULL (2007)	1	
36	110-9614	ORDER 114-5419	1	
36	114-5412	FRONT ROLLER ASSEMBLY - 3" FULL (2008 UP)	1	
37	110-9612-03	TUBE - FRONT 3" FULL ROLLER (2007)	1	
37	110-9615-03	ORDER 114-5419	1	
37	114-5419	TUBE - FRONT 2.5" FULL ROLLER (VERTICUT)	1	
	114-5413-03	ORDER 115-8297-03		
37	115-8297-03	TUBE - FRONT 3" FULL ROLLER (2008 UP)	1	
38	106-9606**	Roller Rebuild MVP Kit (Bearings 109966 - 2007)	A/R	
39	108-4475-03	SCRAPER - 2.5" FULL FRONT ROLLER (VERTICUT)	1	
39	110-9602-03	SCRAPER - 3" FRONT FULL ROLLER	1	
40	107-2993-03	SCRAPER - PLASTIC WIEHLE ROLLER	1	
41	110-9609-03	SCRAPER - SHOULDER ROLLER	1	
42	110-1735	COMB SCRAPER KIT	1	
43	107-3280	SCRAPER KIT - REAR ROLLER	1	
44	108-4190	REAR ROLLER BRUSH ASSEMBLY (2007)	1	
*	110-4086**	Groomer & Rear Roller Brush Bearing MVP Kit (DPA)	A/R	
45	108-4172	SEAL - EXCLUDER (REAR ROLLER BRUSH)	2	
46	106-8530	SEAL - GREASE (REAR ROLLER BRUSH)	5	
47	107-3273-01	BEDBAR	1	
48	61-1950	WASHER - PLASTIC	4	
49	56-9520	BUSHING - FLANGED	2	
50	3296-33	NUT - LOCK	2	
51	323-12	SCREW - CAP HEX HD	2	
52	114-5430**	Roller Rebuild MVP Kit (Bearings 112-5290 - 2008 & Up)	A/R	
53	114-3717	SEAL - INNER	1	
54	112-7494	SEAL - OUTER	2	
55	114-5411	NUT - BEARING LOCK	1	
56	94-2703	CAP - REEL MOTOR	1	
57	94-1291	BUSHING - FLANGE	2	
58	108-4293	ROLLER - KICKSTAND (VERTICUTTER)	2	
59	106-8530	SEAL - BEARING	5	
*	29-9100	BRUSH AND HANDLE ASM	1	

*Not illustrated. **See pages 18-34 for Kit contents.

Prices subject to change without notice. NOTE: Please see your Parts Catalog or Master Parts Viewer to ensure ordering the correct part; the part needed may not be listed. **Not sold separately.

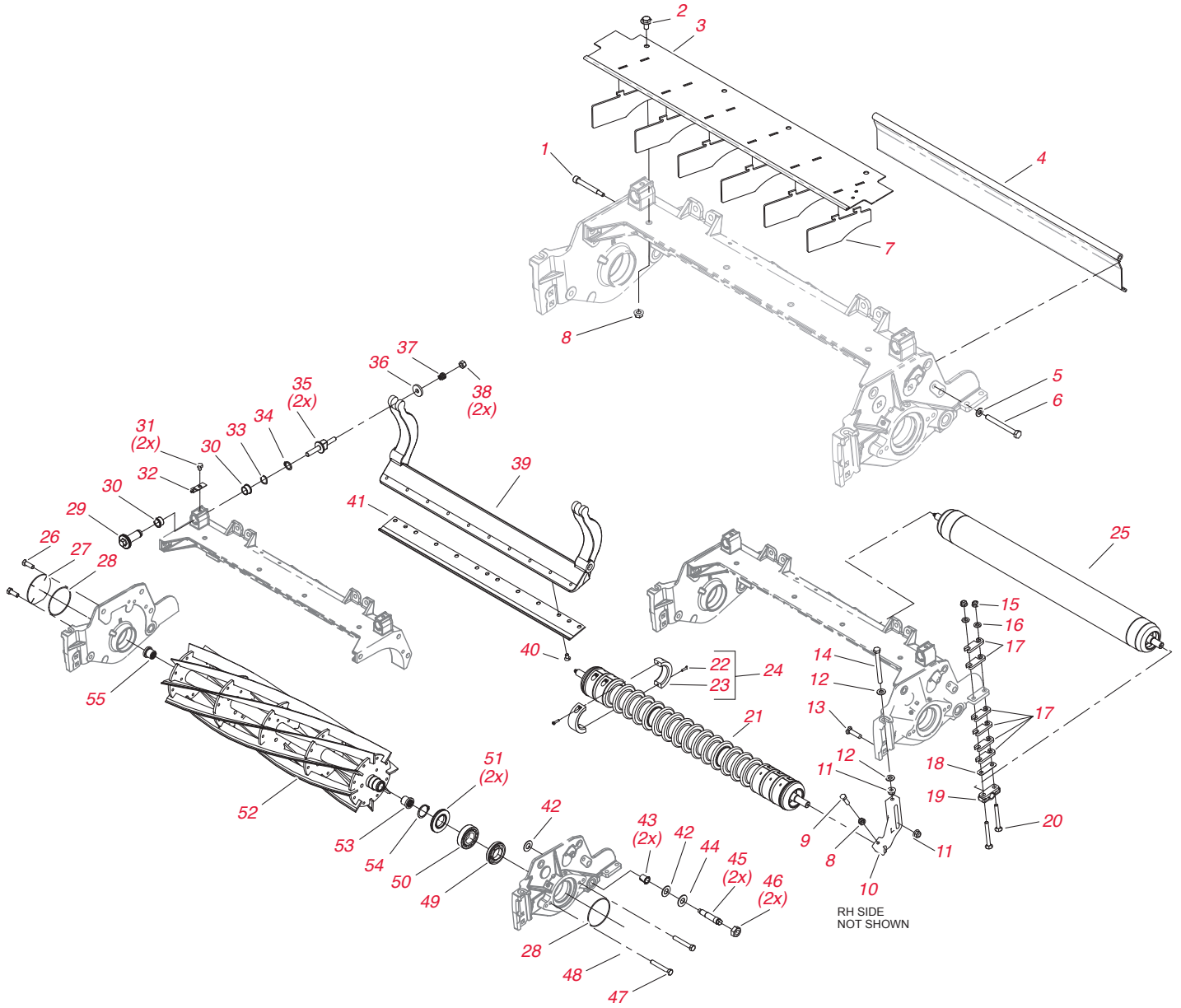
REELMASTERS
REELMASTER® 7000D

Traction Unit Parts

	Part No.	Description	Qty.	Sale Price
FILTERS				
	30056**	400 Hour Filter MVP Kit Reelmaster 7000D		A/R
	108-3814	AIR FILTER - OUTER	1	
	108-3816	AIR FILTER - INNER	1	
	75-1310	HYDRAULIC OIL FILTER - AT PUMP	1	
	94-2621	HYDRAULIC OIL FILTER - AT MANIFOLD	1	
	104-5169	ENGINE OIL FILTER	1	
BELTS				
	120-5824	BELT - FAN	1	
TIRES				
	63-4480	TIRE (31 X 13.5 - 15) 4-PLY	1	
	117-5125	TIRE (20 x 12 - 10) 4-Ply TURF TRAC (2010 & UP)	1	
STARTER & ALTERNATOR				
	120-5819	ALTERNATOR	1	
	115-8603	STARTER	1	
HYDRAULIC MOTOR				
	115-8250	GEAR MOTOR ASM	1	

*Not illustrated. **See pages 18-34 for Kit contents.

REELMASTERS
REELMASTER® 7000D



Cutting Unit Parts

Ref. No.	Part No.	Description	Qty.	Sale Price
1	107-7773	SCREW-HSH	1	
2	3234-7	SCREW-HHF	4	
3	112-8942	FRONT GRASS SHIELD ASM	1	
4	112-8944-01	REAR GRASS SHIELD ASM	1	
5	3256-74	WASHER-FLAT	1	
6	322-14	SCREW-HH	1	
7	110-1706	DEFLECTOR	6	
8	32128-20	NUT-HF	2	
9	322-16	SCREW-HH	2	
10	120-0404	BRACKET-HIGH HOC (LH)	1	
10	120-0405	BRACKET-HIGH HOC (RH)	1	
11	104-8301	NUT-FLANGE, NI	4	
12	48-9220	WASHER	4	
13	3231-4	SCREW-CARR	2	
14	107-4026	SCREW-HH	2	
15	104-8300	NUT-FLANGE, NI	4	
16	94-6936	WASHER-HARDENED	4	
17	119-0626	SHIM-ROLLER	12	
18	107-4001	SHIM-ROLLER (0.01)	2	
19	106-3924	BRACKER-ROLLER, REAR	2	
20	3230-26	SCREW- CARR	4	
21	119-0630	PLASTIC SHOULDER ROLLER ASM	1	
21	117-0960	PLASTIC WIEHLE ROLLER ASM	1	
21	114-9383	FULL FRONT ROLLER ASM	1	
22	119-1604	COLLAR-TRIM/HD	2	
23	104-1835	SCREW	2	
24	119-0649	TRIM/HD COLLAR KIT	4	
25	112-8915	REAR ROLLER ASM (3-IN DIA)	1	
25	119-4286	REAR ROLLER ASM (SHORT)	1	
26	323-6	SCREW-HH	2	
27	94-2703	PLUG	1	
28	112-6967	O-RING	2	
29	106-5363	SHAFT-ADJUSTER	2	
30	106-5344	BUSHING-FLANGED, KEYED	4	
31	114-9396	CAPSCREW-HH	2	
32	99-2097	DETENT	2	
34	32120-93	RING-RETAINING	2	
35	99-2096	SCREW-ADJUSTER, BEDBAR	2	
36	99-2098	WASHER	2	
37	99-3755	ORDER 119-4156	2	
37	119-4156	SPRING-COMPRESSION	2	
38	33025-00	NUT-LOCK, NI	2	
39	112-8908-01	BEDBAR	1	
	57-4910	ORDER 119-4151	10	
40	119-4151	SCREW-SPECIAL	10	
41	114-9388	27" FAIRWAY CUT	1	
41	112-8910	27" EDGEMAX FAIRWAY CUT (EXTENDED)	1	
41	114-9390	27" FAIRWAY CUT HEAVY DUTY	1	
41	120-1641	BEDKNIFE-LOW HOC EXT	1	
42	61-1950	WASHER-PLASTIC	4	
43	56-9520	BUSHING-FLANGED	2	
44	69-8980	WASHER	2	
45	106-9623	BOLT-BEDBAR	2	
46	3296-33	NUT-LOCK, NI	2	
47	323-12	SCREW-HH	2	

*Not illustrated. **See pages 18-34 for Kit contents.

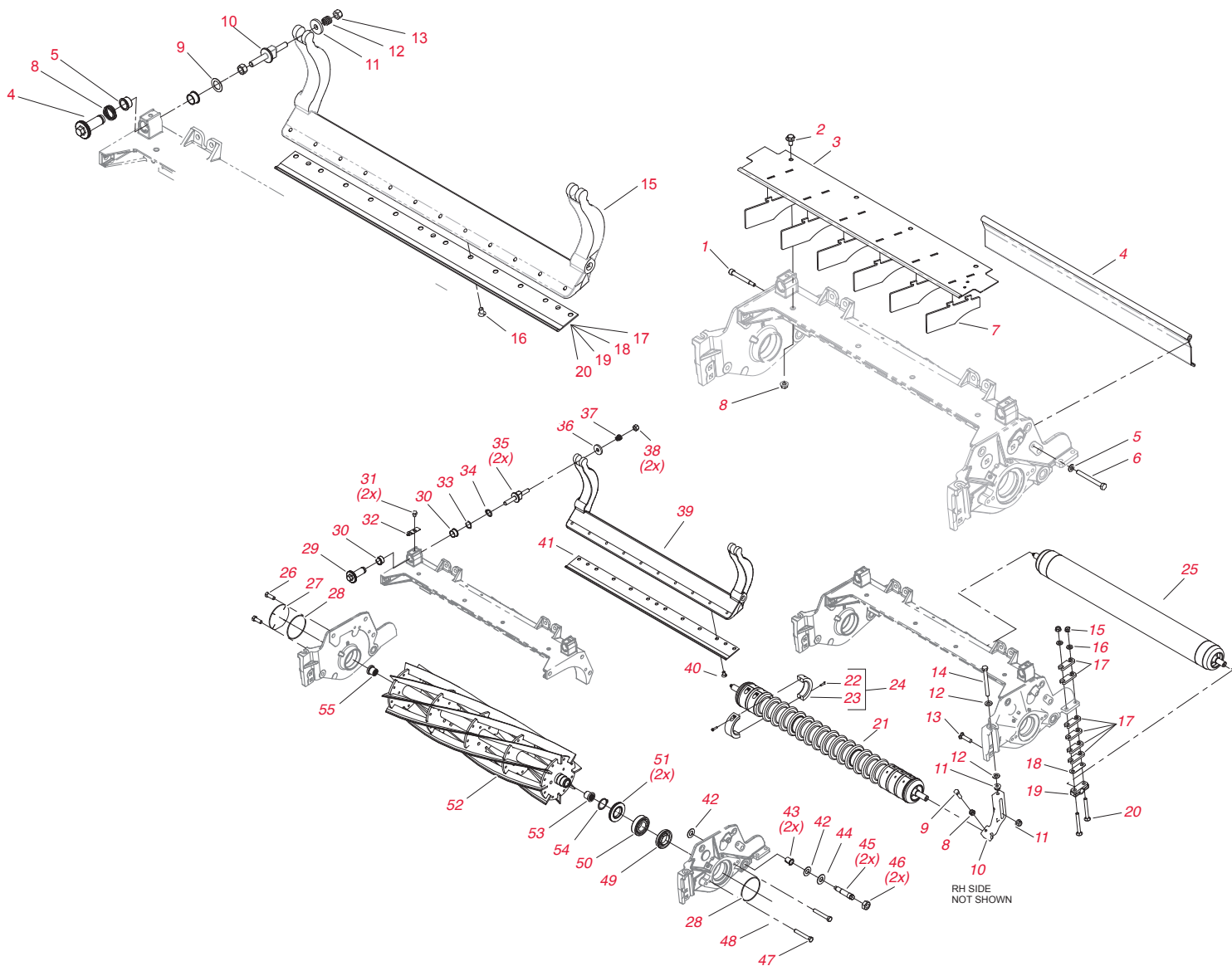
Prices subject to change without notice. NOTE: Please see your Parts Catalog or Master Parts Viewer to ensure ordering the correct part; the part needed may not be listed. **Not sold separately.

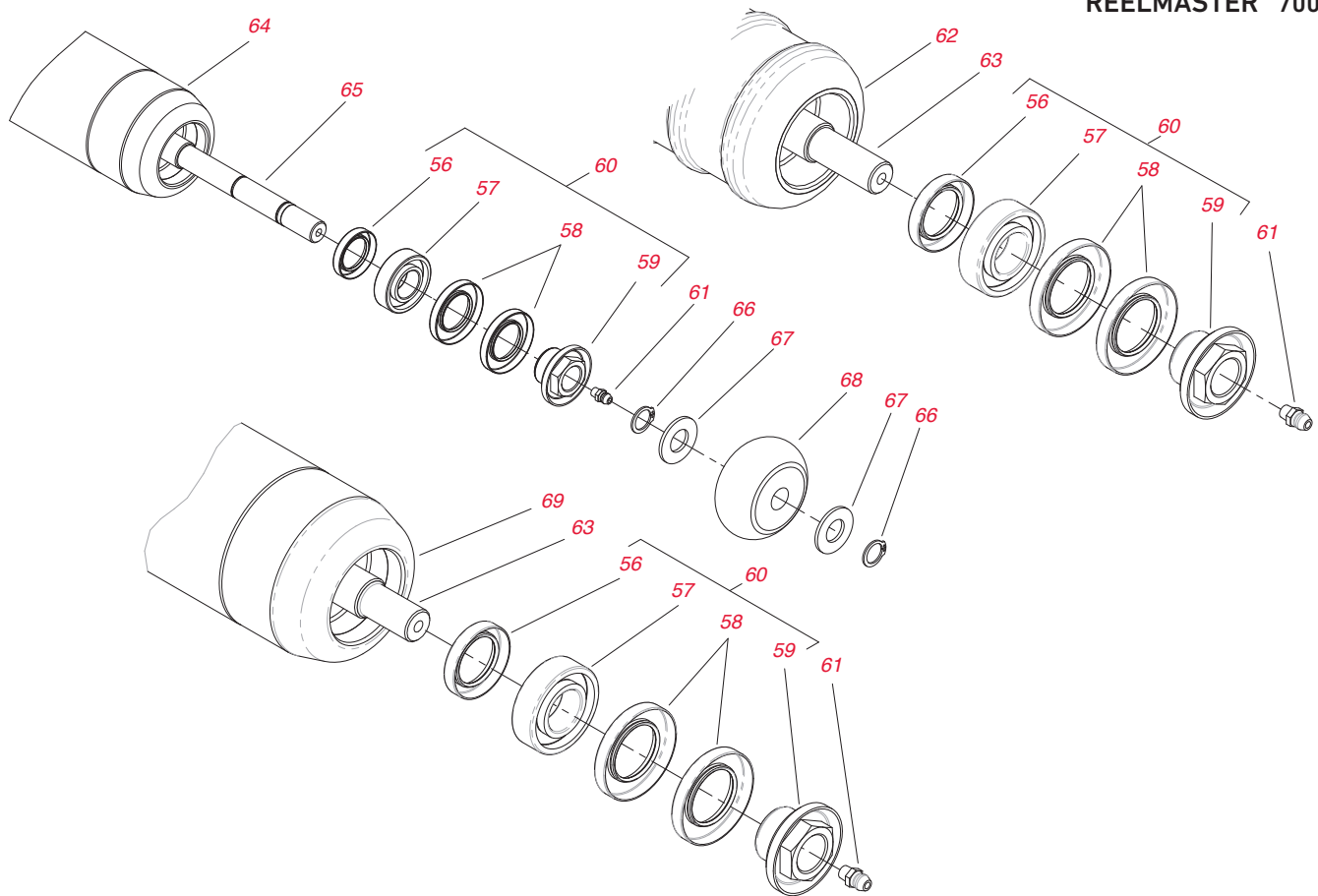
REELMASTERS

REELMASTER® 7000D

Cutting Unit Parts - continued

Ref. No.	Part No.	Description	Qty.	Sale Price
48	119-0614-01	WEIGHT-END	1	
49	107-2954	NUT-ADJUSTER, BEARING	1	
50	93-2489	BEARING	2	
51	107-4028	SEAL-GREASE	2	
	115-8275	ORDER 127-2094		
52	127-2094	REEL ASSEMBLY 8 BLADE (7" DIA)	1	
	115-8282	ORDER 127-2104		
52	127-2104	REEL ASSEMBLY, CUTTING UNIT 03712) 5 BLADE (7" DIA)	1	
	115-8286	ORDER 127-2105		
52	127-2105	REEL ASSEMBLY, CUTTING UNIT 03712, 8 BLADE (7" DIA)	1	
	115-8278	ORDER 127-2095		
52	127-2095	REEL ASSEMBLY, CUTTING UNIT 03711, 11 BLADE (7" DIA)	1	
53	107-3276	INSERT-THREADED, LH	1	
54	92-2601	RING-RETAINING	2	





Cutting Unit Parts - continued

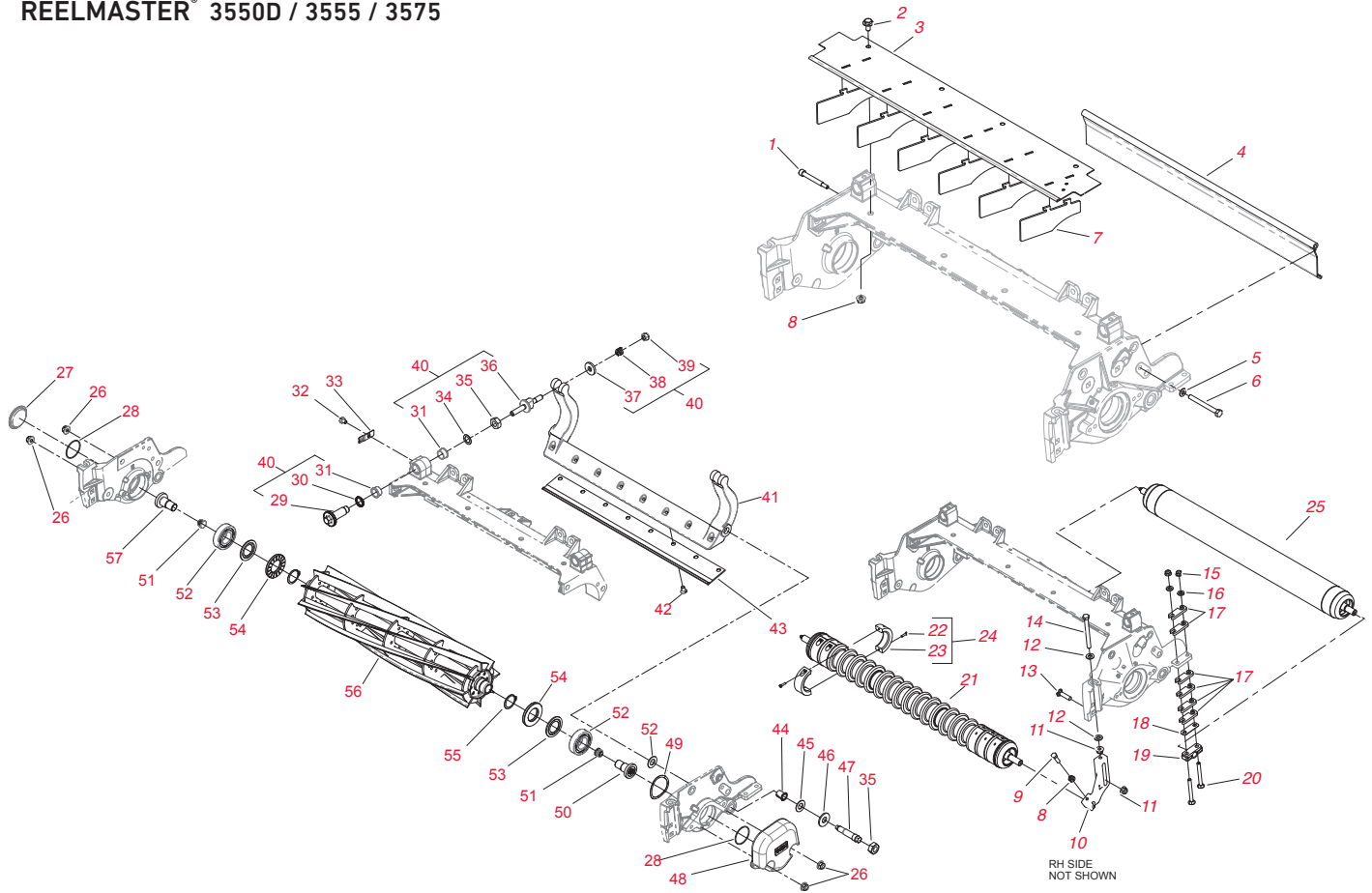
Ref. No.	Part No.	Description	Qty.	Sale Price
55	107-3275	INSERT-THREADED, RH	1	
56	114-3717	SEAL-OIL	2	
57	112-5290	BEARING - STAINLESS STEEL	2	
58	112-7494	SEAL	4	
59	114-5411	NUT-LOCK, BEARING	2	
60	114-5430	ROLLER REBUILD KIT	1	
61	302-5	FITTING-GREASE	2	
62	119-0631	ROLLER-SHOULDER , PLASTIC	1	
62	119-0641	ROLLER-SHOULDER, PLASTIC	1	
63	117-0957	SHAFT-ROLLER, WIEHLE	1	
63	117-0987	SHAFT-ROLLER, FRONT	1	
63	112-8918	SHAFT-LONG, REAR ROLLER	1	
63	117-0957	SHAFT-ROLLER, WEIHLE	1	
64	115-8292-03	3 IN DIA ROLLER TUBE ASM (LONG)	1	
65	119-4289	SHAFT-REAR ROLLER 32" (SHORT)	1	
66	32151-62	RING-RETAINING	4	
67	119-1868	WASHER	4	
68	119-4276	ROLLER-TIPPER	2	
69	117-0959	ROLLER-WIEHLE, PLASTIC 27"	1	
69	117-0989	ROLLER-WIEHLE, PLASTIC 32"	1	
69	112-8962-03	TUBE-LONG 32"	1	
69	112-8916-03	LONG ROLLER TUBE ASM 27"	1	
---	110-9600**	DPA High HOC Kit	A/R	
*	29-9100	BRUSH AND HANDLE ASM	1	

*Not illustrated. **See pages 18-34 for Kit contents.

Prices subject to change without notice. NOTE: Please see your Parts Catalog or Master Parts Viewer to ensure ordering the correct part; the part needed may not be listed. **Not sold separately.

REELMASTERS

REELMASTER® 3550D / 3555 / 3575



Traction Unit Parts

	Part No.	Description	Qty.	Sale Price
FILTERS				
	30090**	400 Hour MVP Filter Kit		A/R
	108-3811	FILTER (AIR)	1	
	108-3841	FILTER (ENGINE OIL)	1	
	110-9049	FILTER (FUEL)	1	
	98-7612	FILTER (FUEL)	1	
	86-3010	FILTER (HYDRAULIC)	1	
BELTS				
	104-3494	V-BELT ALTERNATOR AND PULLEY SYSTEM	1	
	99-3619	3V-BELT PISTON PUMP AND GEAR ASM	1	
BEARINGS				
	256-243	BEARING-FLANGE, TRACTION CONTROL ASM	1	
	75-5470	SPACER-BEARING, TRACTION CONTROL ASM	1	
	251-259	BALL BEARING, TRACTION CONTROL ASM & NEUTRAL ARM ASM	1	
	76-0850	BEARING-THRUST, HYDRAULIC MOTOR ASM	1	
	100-4817	SPACER-BEARING, NEUTRAL ARM ASM	1	
	104-4046	BEARING-CUP, HYDRAULIC PUMP ASM	1	
	98-4639	BEARING-CONE, HYDRAULIC PUMP ASM	1	
	94-6368	BEARING, HYDRAULIC PUMP ASM	1	
	94-6363	BEARING, HYDRAULIC PUMP ASM	1	
	252-66	BEARING-THRUST, HYDRAULIC PUMP ASM	1	
TIRES				
	120-2114	TIRE (24 X 12 - 12) SMOOTH	1	
STARTER & ALTERNATOR				
	98-9705	STARTER	1	
	131-6557	ALTERNATOR	1	
OTHER				
	70-9870	PLATE-BACKING	1	
	100-4815	CABLE-CONTROL, TRACTION	1	
	99-3623-03	ARM-IDLER	1	

*Not illustrated. **See pages 18-34 for Kit contents.

Prices subject to change without notice. NOTE: Please see your Parts Catalog or Master Parts Viewer to ensure ordering the correct part; the part needed may not be listed. **Not sold separately.

Cutting Unit Parts

Ref. No.	Part No.	Description	Qty.	Sale Price
1	107-7773	SCREW-HSH	1	
2	3234-7	SCREW-HHF	3	
3	112-1738	FRONT GRASS SHIELD ASM	1	
5	3256-74	WASHER-FLAT	1	
6	322-14	SCREW-HH	1	
7	110-1706	DEFLECTOR	4	
8	32128-20	NUT-HF	3	
9	322-16	SCREW-HH	2	
10	125-2796	BRACKET-FRONT HOC	2	
11	104-8301	NUT-FLANGE, NI	4	
12	48-9220	WASHER	4	
13	3231-4	SCREW-CARR	2	
14	107-4026	SCREW-HH	2	
15	104-8300	NUT-FLANGE, NI	4	
16	94-6936	WASHER-HARDENED	4	
17	119-0626	SHIM-ROLLER	4	
18	107-4001	SHIM-ROLLER (0.01)	2	
19	106-3924	BRACKER-ROLLER, REAR	2	
20	3230-7	BOLT - CARR	4	
21	1121-1704	PLASTIC WIEHLE ROLLER ASM 18"	1	
21	112-1732	FULL FRONT ROLLER ASM 18"	1	
21	112-1733	PLASTIC SHOULDER ROLLER ASM 18"	1	
21	114-5400	PLASTIC WIEHLE ROLLER ASM 22"	1	
21	114-5412	FULL FRONT ROLLER ASM 22"	1	
21	114-5421	PLASTIC SHOULDER ROLLER ASM 22"	1	
22	104-1835	SCREW	2	
23	100-4959	COLLAR	2	
24	104-8215	COLLAR KIT	6	
25	112-1708	SHORT REAR ROLLER ASM 18"	1	
25	112-1728	LONG REAR ROLLER ASM 18"	1	
25	114-5404	LONG REAR ROLLER ASM 22" (2.5" DIA)	1	
25	114-5406	SHORT REAR ROLLER ASM 22" (2.5" DIA)	1	
26	104-8301	NUT-FLANGE, NI	4	
27	2410-30	CAP-PLASTIC	1	
28	237-68	O-RING	2	
29	120-5118	SHAFT-ADJUSTER	2	
30	120-5116	WASHER-WAVE	2	
31	106-5344	BUSHING-FLANGED, KEYED	4	
32	119-4067	CAPSCREW-HH	2	
33	99-2097	DETENT	2	
34	108-0015	WASHER-FLAT	2	
35	3296-33	NUT-LOCK, NI	2	
36	115-7039	SCREW-ADJUSTER, BEDBAR	2	
37	119-4155	WASHER-HARDENED	2	
38	120-5120	SPRING-COMPRESSION	2	
39	119-4039	NUT-HEX, NI	2	
40	120-7230**	HD DPA MVP Kit	A/R	
41	112-1718-01	BEDBAR(CU MODEL 03912 & 03911)	1	
42	119-4151	SCREW-SPECIAL	8	
43	121-3165	EDGEMAX BEDKNIFE - 18" FAIRWAY CUT	1	
43	121-3166	STANDARD BEDKNIFE - 18" FAIRWAY CUT	1	
43	121-3167	STANDARD BEDKNIFE - 18" LOW CUT	1	
43	125-2770	PREMIUM BEDKNIFE - 18" LOW CUT	1	
43	108-9095	EDGEMAX BEDKNIFE - 22" FAIRWAY CUT	1	
43	108-9096	STANDARD BEDKNIFE - 22" FAIRWAY CUT	1	
43	110-4084	STANDARD BEDKNIFE - 22" LOW CUT	1	

*Not illustrated. **See pages 18-34 for Kit contents.

Prices subject to change without notice. NOTE: Please see your Parts Catalog or Master Parts Viewer to ensure ordering the correct part; the part needed may not be listed. **Not sold separately.

REELMASTERS

REELMASTER® 3550D / 3555 / 3575

Cutting Unit Parts - continued

Ref. No.	Part No.	Description	Qty.	Sale Price
43	127-7132	PREMIUM BEDKNIFE - 22" LOW CUT	1	
44	56-9520	BUSHING-FLANGED	2	
45	61-1950	WASHER-PLASTIC	4	
46	3256-6	WASHER-FLAT	2	
47	106-9623	BOLT-BEDBAR (MODEL 03913)	2	
47	120-9941	BOLT-BEDBAR (MODEL 03911 AND 03912)	2	
48	125-2779-01	WEIGHT-END, 5 INCH	1	
49	115-5258	SPRING-WIRE, FLAT	1	
50	125-2772	LH THREADED INSERT ASM	1	
51	125-5609	PLUG-PLASTIC	1	
52	115-3296	BEARING-SEALED	2	
53	115-3299	SEAL-FLOCKED	2	
	121-6953	ORDER 127-4284		
54	127-4284	WASHER-SPECIAL	2	
55	92-2601	RING-RETAINING	2	
	121-6982	ORDER 131-6805		
56	131-6805	8 BLADE FAIRWAY REEL ASM (CU MODEL 03913)	1	
	119-9154	ORDER 131-3202		
56	131-3202	11 BLADE REEL ASM	1	
	119-9150	ORDER 131-3201		
56	131-3201	8 BLADE REEL (CU MODEL 03911)	1	
56	133-0109	EDGESERIES REEL - 8 BLADE RADIAL REEL (5" DIA, 18" LENGTH - RM 3550D/3555D)	1	
56	133-0112	EDGESERIES REEL - 11 BLADE FORWARD SWEPT REEL (5" DIA, 18" LENGTH - RM 3550D/3555D)	1	
56	132-7109	EDGESERIES REEL - 8 BLADE RADIAL REEL (5" DIA, 22" LENGTH - RM 3550D/3555D)	1	
56	132-7112	EDGESERIES REEL - 11 BLADE FORWARD SWEPT REEL (5" DIA, 22" LENGTH - RM 3550D/3555D)	1	
57	125-2773	RH THREADED INSERT ASM	1	
58	114-3717	SEAL-OIL	2	
59	112-5290	BEARING - STAINLESS STEEL	2	
60	112-7494	SEAL	4	
61	114-5411	NUT-LOCK, BEARING	2	
62	114-5430	ROLLER REBUILD KIT	1	
63	302-5	FITTING-GREASE	2	
64	112-1734	ROLLER-SHOULDER , PLASTIC (MODEL 03911 AND 03912)	1	
64	114-5422	ROLLER-SHOULDER, PLASTIC (MODEL 03913)	1	
65	112-1707	SHAFT-ROLLER, WIEHLE	1	
65	112-1711	SHAFT-REAR ROLLER, SHORT (MODEL 03911 AND 03912)	1	
65	112-1708	REAR-SHORT ROLLER ASM (MODEL 03911 AND 03912)	1	
65	114-5404	LONG ROLLER ASM (MODEL 03913)	1	
65	114-5406	SHORT ROLLER ASM (MODEL 03913)	1	
65	114-5412	FULL FRONT ROLLER ASM (MODEL 03913)	1	
65	114-5403	SHAFT-ROLLER, FRONT	1	
65	112-1731	SHAFT-LONG, REAR ROLLER (MODEL 03911 AND 03912)	1	
65	114-5407	SHAFT-LONG, REAR ROLLER (MODEL 03913)	1	
65	114-5410	SHAFT-SHORT, REAR ROLLER	1	
66	115-8294-03	2.5 IN DIA, ROLLER TUBE ASM (LONG)	1	
66	115-8293-03	2.5 IN DIA, ROLLER TUBE ASM (SHORT)	1	
66	115-8297-03	3 IN DIA, FULL ROLLER TUBE ASM (MODEL 03913)	1	
66	112-1740-03	3 IN DIA, FULL FRONT ROLLER TUBE ASM	1	
67	112-1705	ROLLER-WIEHLE, PLASTIC 18"	1	
67	114-5401	ROLLER-WIEHLE, PLASTIC 22"	1	
*	29-9100	BRUSH AND HANDLE ASM	1	
	133-0150**	RM 5" Universal Groomer Kit (Cutting Unit 03763)	1	
	133-0151**	RM 7" Universal Groomer Kit (Cutting Unit 03768)	1	
	133-0152**	RM3550 18" RRB Kit for Universal Groomer (Cutting Unit 03657)	1	
	133-0153**	RM3555 5" x 22" RRB Kit for Universal Groomer (Cutting Unit 03658)	1	
	133-0154**	RM3575 7" x 22" RRB Kit for Universal Groomer (Cutting Unit 03659)	1	
	133-0155**	RM3550 18" RRB Kit without Universal Groomer (Cutting Unit 03916)	1	
	133-0157**	5" x 22" RRB Kit without Universal Groomer (Cutting Unit 03406)	1	
	133-0158**	7" x 22" RRB Kit without Universal Groomer (Cutting Unit 03408)	1	

*Not illustrated. **See pages 18-34 for Kit contents.

Prices subject to change without notice. NOTE: Please see your Parts Catalog or Master Parts Viewer to ensure ordering the correct part; the part needed may not be listed. **Not sold separately.



GANGMOWERS

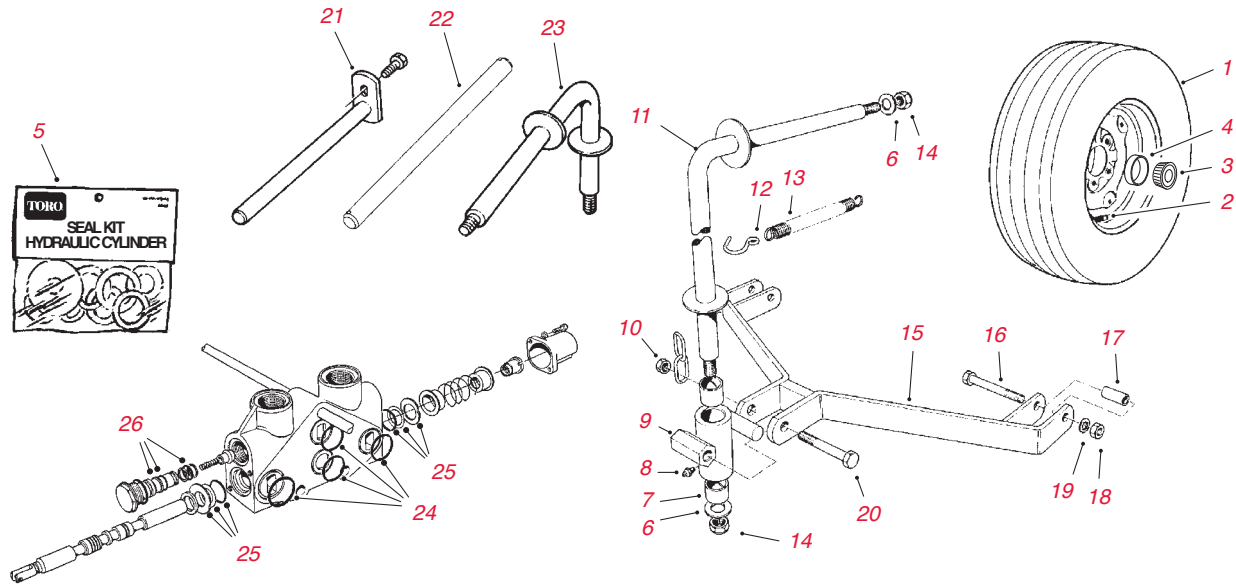


TORO REELMASTER
TRANSPORT FRAME

206 Transport Frame

208 Reelmaster®

GANGMOWERS TRANSPORT FRAME



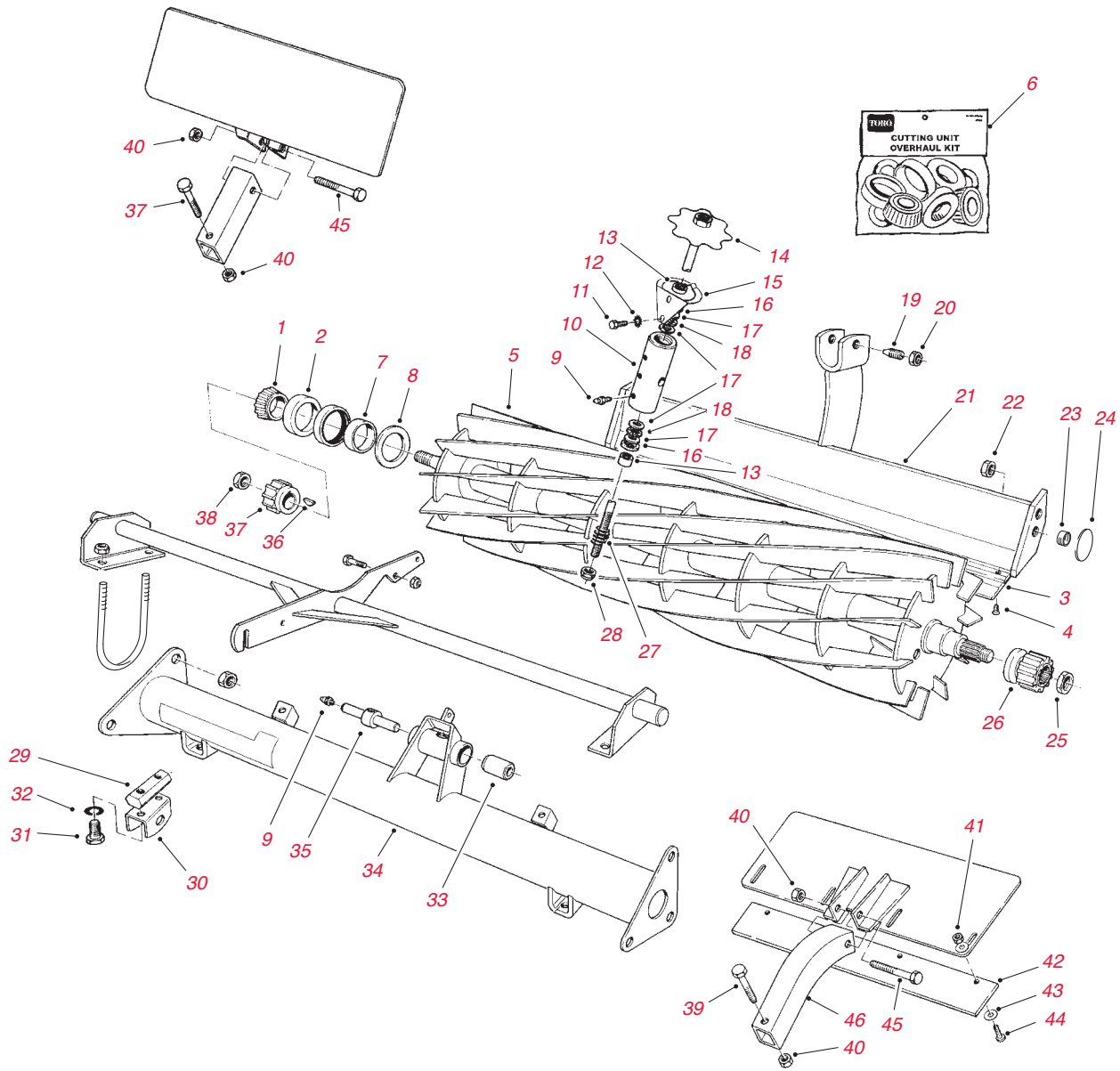
Transport Frame

Ref. No.	Part No.	Description	Qty.	Sale Price
1	231-72	ORDER 56-7960	2	
1	56-7960	TIRE (11 X 15) 6 PLY	2	
2	232-27	ORDER 5108	2	
2	5108	VALVE STEM	2	
3	254-62	ORDER 115-9471	2	
4	115-9471	CUP - BEARING (OUTER)	2	
4	115-9471	CUP - BEARING (OUTER)	2	
5	22-8720	SEAL KIT HYDRAULIC CYLINDER	1	
6	3-8448	WASHER	1	
7	3-0348	ORDER 125-5196	2	
7	125-5196	BUSHING	2	
8	302-5	ZERK	1	
9	1-6559	ORDER 6-1030	1	
9	6-1030	HOUSING ASSEMBLY	1	
10	32146-13	ORDER 32153-5	1	
10	32153-5	NUT	1	
11	28-8720-01	BAIL - 15.5"	4	
12	3-2198	HOOK	1	
13	5-1706	SPRING	1	
14	3296-50	NUT - LOCK	14	
15	3-9280-01	DRAWBAR	1	
16	324-10	SCREW - CAP HEX HD	14	
17	5-1091	SPACER	1	
18	3217-9	NUT	2	
19	3254-4	WASHER - LOCK	14	
20	325-17	SCREW - CAP HEX HD	7	
21	26-8250-01	LIFT ARM PIN	2	
21	37-2760-01	LIFT ARM PIN	2	
22	3-0144	SHAFT - LIFT CYLINDER	3	
23	26-8310-01	BAIL - 6"	3	
24	84-2190	SEAL KIT - CONTROL VALVE SECTION (1984 & UP)	2	
25	353-515	SEAL KIT - CONTROL VALVE SPOOL (1975-84)	1	
26	353-743	SEAL KIT - CONTROL VALVE CHECK PLUG (1975-84)	1	

*Not illustrated. **See pages 18-34 for Kit contents.

Prices subject to change without notice. NOTE: Please see your Parts Catalog or Master Parts Viewer to ensure ordering the correct part; the part needed may not be listed. **Not sold separately.

GANGMOWERS REELMASTER®

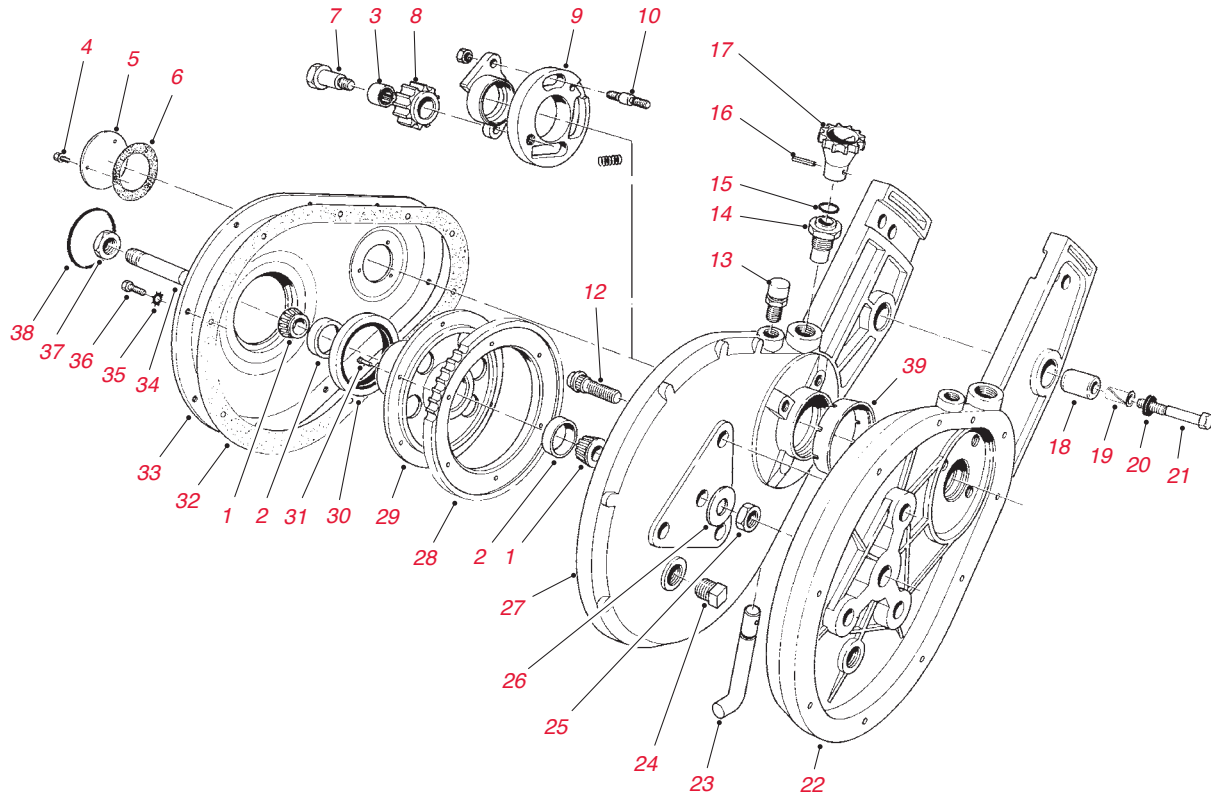


Reel & Bedbar Parts

Ref. No.	Part No.	Description	Qty.	Sale Price
1	254-94	BEARING CONE	2	
2	254-72	BEARING CUP	2	
3	47-6680	BEDKNIFE - LOW-CUT	1	
3	49-7660	BEDKNIFE	1	
4	57-4910	ORDER 119-4151	11	
	119-4151	BEDKNIFE SCREW	11	
	11-5119	ORDER 130-0081	1	
5	130-0081	REEL - 11 BLADE		
5	11-6869	REEL - 5 BLADE	6	
5	11-6879	ORDER 130-0071	6	
5	130-0071	REEL - 7 BLADE	6	
6	13-3629**	Cutting Unit Overhaul MVP Kit	A/R	
7	47-4250	WEAR SLEEVE	2	
8	47-4260	GRASS SLINGER	2	
9	302-5	GREASE FITTING	2	
10	47-4410	RETAINER - BEARING ARM	1	
11	322-1	SCREW - CAP	2	
12	3290-244	WASHER - LOCK	2	
13	47-4420	SPACER - SLEEVE	2	
14	47-4300-01	HANDLE	1	
15	47-4400	ARM - SPRING	1	
16	253-84	GREASE SEAL	2	
17	257-5	WASHER	4	
18	257-6	THRUST BEARING	2	
19	57-5190	SCREW - SET	2	
20	3218-18	NUT - JAM	2	
21	47-4080-01	BEDBAR	1	
22	3296-19	NUT - HEX	1	
23	32148-5	THREADED INSERT	4	
24	47-4440	WASHER	2	
25	3296-57	LOCKNUT	1	
26	47-4490	PINION REEL LH	1	
27	5-4373	SPRING	1	
28	3296-62	LOCKNUT	1	
29	47-4530	RETAINER	2	
30	37-3490-01	BRACKET - DRAWBAR	2	
31	323-6	CAP SCREW	4	
32	3253-21	LOCK WASHER	4	
33	68-7530	RUBBER BUSHING	2	
34	11-5069	TUBE ASSEMBLY (INCL #33 & 35)	1	
35	47-4510	ADJUSTMENT SHAFT	1	
36	3257-3	KEY	1	
37	5-1463	PINION	1	
38	3-8386	NUT	1	
39	323-9	SCREW - CAP	2	
40	3296-39	NUT - LOCK	4	
41	3296-8	NUT - LOCK	8	
42	51-0830	SHIELD - ADJUSTABLE	2	
43	3256-22	WASHER - FLAT	16	
44	3290-133	SCREW - MACHINE	8	
45	323-10	SCREW - CAP	2	
46	51-0840	TUBE - PIVOT	2	
*	302-40	FITTING - GREASE (JAKE ADAPTER KIT)	7	

*Not illustrated. **See pages 18-34 for Kit contents.

Prices subject to change without notice. NOTE: Please see your Parts Catalog or Master Parts Viewer to ensure ordering the correct part; the part needed may not be listed. **Not sold separately.



Gear Case Parts

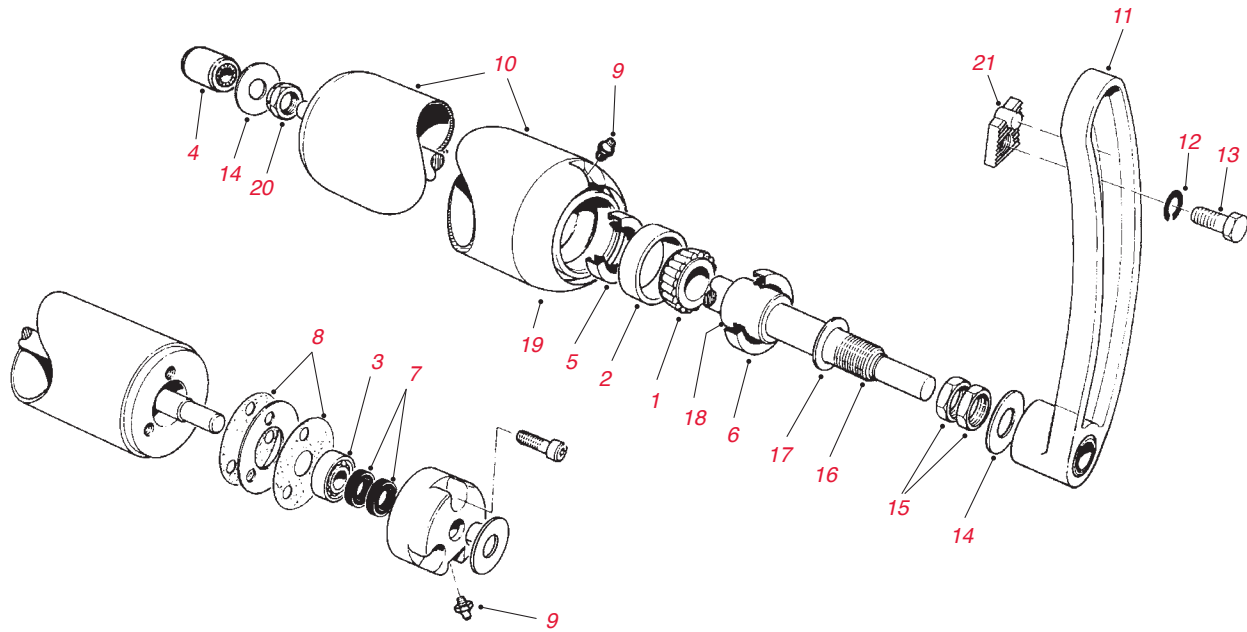
Ref. No.	Part No.	Description	Qty.	Sale Price
1	254-78	BEARING CONE	4	
2	254-79	BEARING CUP	4	
3	252-6	BEARING	2	
*	13-3629**	Cutting Unit Overhaul MVP Kit	A/R	
4	11-8960	FASTENER	6	
5	5-1460	PINION COVER	2	
6	106-5408	GASKET	1	
7	3-9117	SHAFT	1	
7	3-9116	SHAFT	1	
8	12-1190	IDLER PINION	2	
9	3-4170	RATCHET GEAR RING RH (SHOWN)	1	
9	3-4160	RATCHET GEAR RING LH	1	
10	3-7445	STUD	6	
12	17-2520	STUD - DRIVE	6	
13	302-14	RELIEF FITTING	2	
14	3-3892	FINGER BEARING.	2	
15	237-21	O-RING	2	
16	3283-1	LOCK PIN	2	
17	5-1464-03	HANDLE	2	
18	68-7530	RUBBER BUSHING	2	
19	47-4430	BUSHING	2	
20	47-5640	RUBBER SPACER	2	
21	47-4460	BOLT - ECCENTRIC	1	
21	47-4450	BOLT - SHOULDER	1	
22	11-9419	ORDER 11-5049	1	
22	11-5049	COVER - GEAR CASE LH (INCL #10, 12, 13, 18 & 23)	1	
23	3-3904	FINGER - RH	1	
23	3-3891	FINGER - LH	1	
24	281-3	OIL PLUG	2	
25	3219-10	NUT	2	
26	3256-15	WASHER	2	
27	11-9409	ORDER 11-5059	1	
27	11-5059	COVER - GEAR CASE RH (INCL #10, 12,13, 18 & 23)	1	
28	5-1457	GEAR	2	
29	95-1828	RING GEAR HUB	2	
30	253-101	ORDER 84-8200	2	
30	84-8200	OIL SEAL	2	
31	3262-3	RIVET	12	
32	3-5002	ORDER 106-5409	1	
32	106-5409	GASKET	1	
33	47-4060-01	COVER	2	
34	49-4100	AXLE STUB	2	
35	3254-17	WASHER - LOCK	20	
36	49-2040	SCREW	20	
37	3296-15	LOCK NUT	2	
38	237-38	O-RING	2	
39	68-9970	SEAL - GUARD	2	

*Not illustrated. **See pages 18-34 for Kit contents.

Prices subject to change without notice. NOTE: Please see your Parts Catalog or Master Parts Viewer to ensure ordering the correct part; the part needed may not be listed. **Not sold separately.

GANGMOWERS

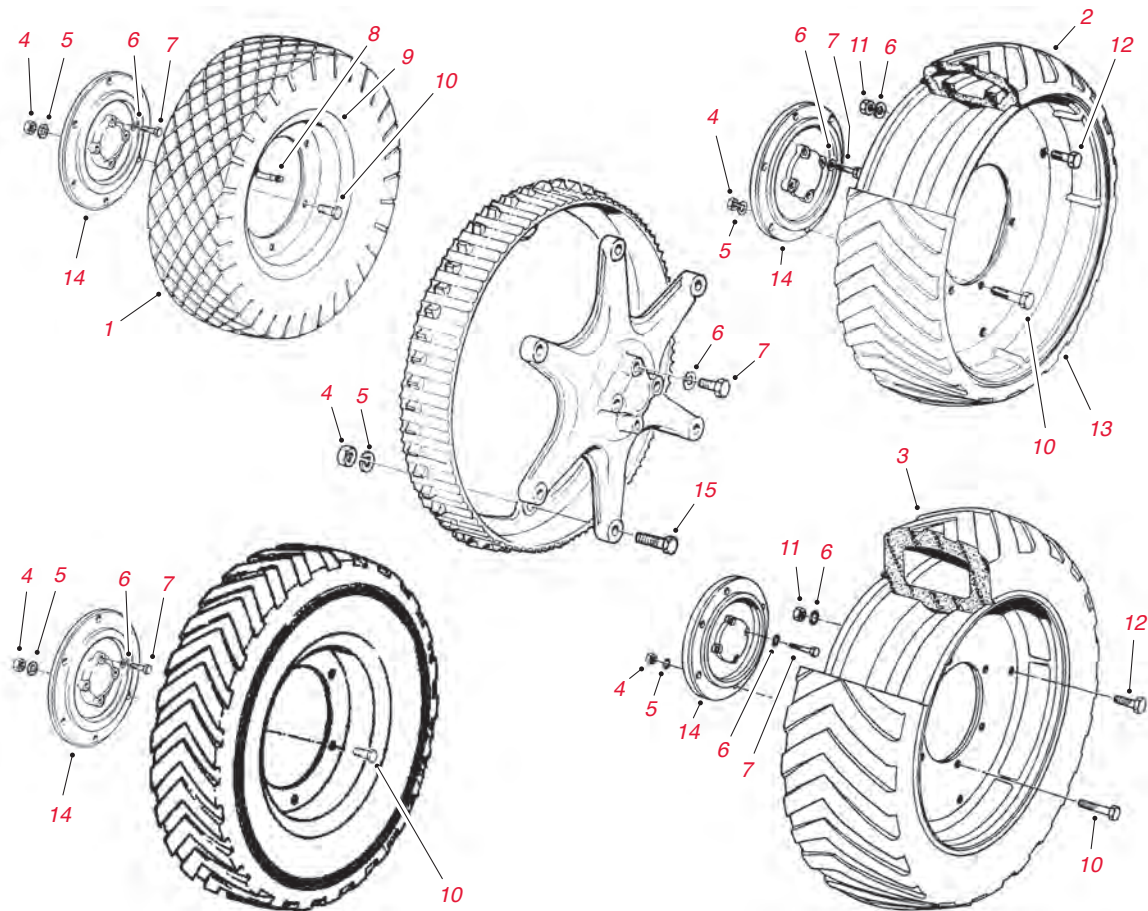
ROLLER PARTS



Roller Parts

Ref. No.	Part No.	Description	Qty.	Sale Price
1	254-78	BEARING CONE	2	
2	254-79	BEARING CUP	2	
3	251-190	ORDER 251-293	2	
3	251-293	BEARING	2	
4	3-4010	BUSHING	2	
5	253-122	SEAL	2	
6	253-117	SEAL	2	
7	253-70	SEAL	4	
8	3-0312	GASKET	4	
9	302-5	GREASE FITTING	2	
10	5-3939	ORDER 8-3990	1	
10	8-3990	ROLLER ASSEMBLY	1	
11	11-5079	ROLLER BRACKET LH (REELMASTER SHOWN) (INCL #4)	1	
11	11-5089	ROLLER BRACKET RH (REELMASTER) (INCL #4)	1	
12	3253-7	LOCK WASHER	2	
13	325-7	CAP SCREW	2	
14	5-4527	WASHER - THRUST	2	
15	3220-7	JAM NUT	4	
16	8-3980	ROLLER SHAFT	1	
17	47-7510	NYLON WASHER (REELMASTER)	2	
18	5-4523	SLEEVE	2	
19	4-5189-01	ROLLER END CAP	2	
20	3296-15	LOCK NUT	1	
21	47-4390	ROLLER NUT - LH	1	
*	47-4380	ROLLER NUT - RH	1	

*Not illustrated. **See pages 18-34 for Kit contents.



Wheel Parts

Ref. No.	Part No.	Description	Qty.	Sale Price
1	231-84	ORDER 231-3	2	
1	231-92	ORDER 231-3	2	
1	231-3	TIRE (16 X 4.8 - 8) 2-PLY STUD TREAD	2	
2	12-9390	TIRE (16 X 4 - 12) SEMI-PNEUMATIC	2	
3	51-2550	TIRE (18 X 4 - 12) SEMI-PNEUMATIC	2	
4	3219-3	NUT	12	
5	3254-6	LOCK WASHER	12	
6	3253-4	LOCK WASHER	12	
7	5-1470	CAP SCREW	8	
8	232-3	TUBE	2	
9	5-3256	DISC	2	
9	5-3257	DISC	2	
10	3211-4	CAP SCREW	12	
11	3217-6	NUT	8	
12	322-2	CAP SCREW	8	
13	12-9460	WHEEL DISC	4	
14	5-1468-01	TIRE HUB	2	
15	3211-6	SCREW - CAP	12	

*Not illustrated. **See pages 18-34 for Kit contents.

Prices subject to change without notice. NOTE: Please see your Parts Catalog or Master Parts Viewer to ensure ordering the correct part; the part needed may not be listed. **Not sold separately.



GROUNDMASTER®

GROUNDMASTER



- | | | |
|--------------------------------------|----------------------------------------|------------------------------------------------|
| 216 Groundsmaster® 200 Series | 240 Groundsmaster 3000 / 3000D | 256 Groundsmaster 4300D / 4500D / 4700D |
| 224 Groundsmaster 300 Series | 241 Groundsmaster 3280D / 3320 | 258 Groundsmaster 5900D / 5910D |
| 232 Groundsmaster 455D | 248 Groundsmaster 3500D / 3505D | 260 Groundsmaster 7200 / 7210 |
| 236 Groundsmaster 580D | 248 Groundsmaster 4000D / 4100D | 264 Groundsmaster 360 Series |

GROUNDMASTERS

GROUNDMASTER® 200 SERIES

Traction Unit Parts

	Part No.	Description	Qty.	Sale Price
BELTS				
	27-4630	ORDER 41-9150	1	
	41-9150	V-BELT - PTO DRIVE (GM 52)	2	
	63-6240	V-BELT - PTO DRIVE (GM 224/223D/225D/228D)	1	
	67-4410	V-BELT - ALTERNATOR/WATER PUMP (GM 224/223D 1992-97)	1	
	99-9156	V-BELT - ALTERNATOR/WATER PUMP (GM 225 1999-2004)	1	
	104-3494	V-BELT - ALTERNATOR/WATER PUMP DRIVE (GM 228D)	1	
	44-8990	MULTI-ROW V-BELT - PTO DRIVE (GM 62/217D/220)	1	
FILTERS				
	57-8530	ORDER 108-3817	1	
	108-3817	FILTER - ENGINE OIL (GM 220)	1	
	42-9030	FILTER - ENGINE OIL (GM 217D)	1	
	67-4330	ORDER 108-3841	1	
	99-8384	ORDER 108-3841	1	
	104-5167	ORDER 108-3841	1	
	108-3841	FILTER - ENGINE OIL (GM 217D/220D/223D/224/228D)	1	
	99-9016	ORDER 108-3842	1	
	99-9017	ORDER 108-3842	1	
	108-3842	FILTER - ENGINE OIL (GM 225)	1	
	42-9030	FILTER - ENGINE OIL (GM 217D)	1	
	27-7110	ORDER 108-3833	1	
	108-3833	AIR FILTER ELEMENT	1	
	98-9763	ORDER 108-3810	1	
	108-3810	ELEMENT - AIR CLEANER (228D 2005 & UP)	1	
	71-5960	FILTER - FUEL (GM 220)	1	
	18-1520	ORDER 108-3831	1	
	99-9403	ORDER 108-3831	1	
	108-3831	FILTER - FUEL (GM 224)	1	
	99-9193	ORDER 108-3854	1	
	95-2926	ORDER 108-3854	1	
	108-3854	FILTER - FUEL (GM 225)	1	
	98-7612	FILTER - FUEL, PLASTIC (GM 228D)	1	
	108-3828	FILTER - FUEL, METAL (GM 228D)	1	
	43-2550	FILTER - FUEL PUMP (GM 217D/220D/223D/224)	1	
	43-1820	FILTER - FUEL (GM 217D)	1	
	63-8300	ELEMENT - FUEL SEPARATOR (GM 220D/223D)	1	
	98-9764	ELEMENT - SEPARATOR (GM 228D)	1	
	112-9140	BIO-DIESEL FUEL FILTER KIT (GM 228D)	1	
	112-8400	BIO-DIESEL FUEL PUMP KIT	1	
	110-9015	ELEMENT - SEPARATOR (BIO-DIESEL KIT GM 228D)	1	
	112-7836	IN-LINE FUEL FILTER (BIO-DIESEL KIT GM 228D)	1	
	23-2300	FILTER - HYDROSTATIC TRANSMISSION	1	
	57-8580	ELEMENT - BREATHER (GM220)	1	
	98-9493	ELEMENT - BREATHER (GM228D)	1	
	30030**	400 Hour Filter MVP Kit (GM 223D)	A/R	
	30002**	400 Hour Filter MVP Kit (GM 225)	A/R	
	30001**	400 Hour Filter MVP Kit (GM 228D)	A/R	

*Not illustrated. **See pages 18-34 for Kit contents.

Prices subject to change without notice. NOTE: Please see your Parts Catalog or Master Parts Viewer to ensure ordering the correct part; the part needed may not be listed. **Not sold separately.

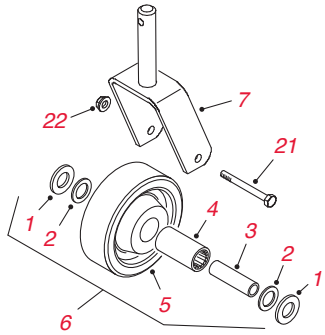
Traction Unit Parts - continued

	Part No.	Description	Qty.	Sale Price
TIRES				
	231-87	ORDER 231-103	2	
	231-103	TIRE - FRONT (20 X 8 - 10) 4-PLY (220)	2	
	231-41	ORDER 231-101	2	
	231-101	TIRE - FRONT (23 X 8.5 - 12) 4-PLY (220D/223D/224/225)	2	
	231-95	TIRE - FRONT (23 X 10.5 - 12) 4-PLY WIDE (220D/223D/224/225)	2	
	69-9880	TIRE - FRONT (23 X 10.5 - 12) 6-PLY WIDE (223D/224/225)	2	
	95-3348	TIRE - FRONT (23 X 8.5 -12) 4-PLY (224/225/228D)	2	
	231-138	TIRE - FRONT (23 X 8.5 - 12) 6-PLY (228D)	2	
	231-43	ORDER 231-105	2	
	231-83	ORDER 231-105	2	
	231-105	TIRE - REAR (16 X 6.5 - 8) 4-PLY RIBBED (ALL BUT 220)	2	
	231-114	ORDER 231-122	2	
	231-122	TIRE - REAR (18 X 6.5 - 8) 4-PLY 4WD (223D/228D)	2	
BEARINGS	See Quick Reference Guide for detailed information on bearing replacements for this model. Page 36-45.			
	254-94	BEARING CONE - 2WD REAR WHEEL	2	
	254-72	BEARING CUP - 2WD REAR WHEEL	2	
	21-8180	BEARING	2	
	28-3650	ORDER 251-8	1	
	251-8	BEARING - HYDROSTAT (GM 220/223D/224/225/228D)	1	
	251-259	BEARING - BALL (NEUTRAL ARM)	1	
STARTER & ALTERNATORS				
	112-7023	STARTER (GM 220)	1	
	112-1350	STARTER (GM 223D/224)	1	
	98-9705	STARTER (GM 228D)	1	
	825095	STARTER (GM 225 1996-1998) (B&S REFERENCE ONLY)	1	
	99-9207	ORDER 110-2598	1	
	110-2598	STARTER (GM225 1999 & UP)	1	
	56-1500	STARTER (GM 217D)	1	
	67-4630	ALTERNATOR (GM 223D 1992-1997/224)	1	
	100-9394	ALTERNATOR (GM 223D 1998 & UP)	1	
	131-6557	ALTERNATOR (GM 228D)	1	
	825084	ALTERNATOR (GM 225 1996 - 1998) (B&S REFERENCE ONLY)	1	
	99-9209	ALTERNATOR (GM 225 1999 & UP)	1	
	29-6162	SWITCH-MICRO (GM 220/223D/224)	1	
SEAT				
	104-4620	SEAT-STD	1	

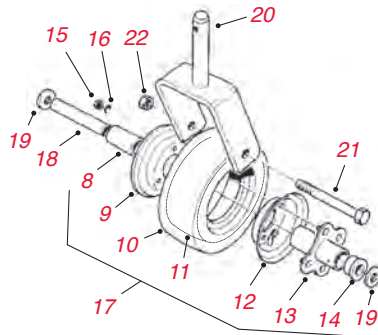
*Not illustrated. **See pages 18-34 for Kit contents.

Prices subject to change without notice. NOTE: Please see your Parts Catalog or Master Parts Viewer to ensure ordering the correct part; the part needed may not be listed. **Not sold separately.

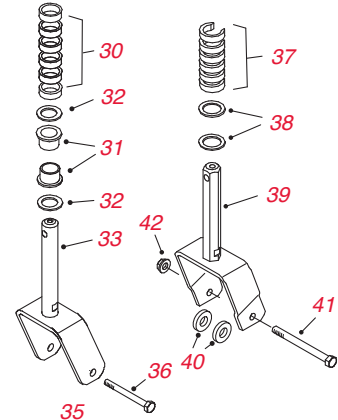
GROUNDMASTERS
GROUNDMASTER® 200 SERIES



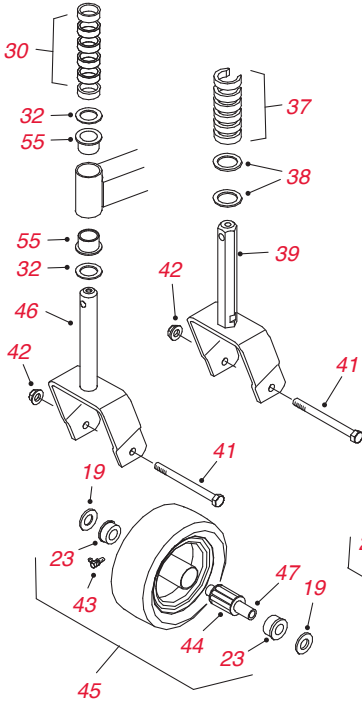
52" SD 1980-88
52" RD 1981-88
62" SD 1982-88
72" SD 1986-88



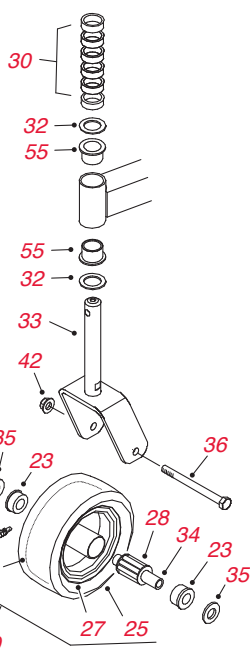
52" SD 1989 & UP
52" RD 1989-02
62" SD 1989-98
72" SD 1989-97



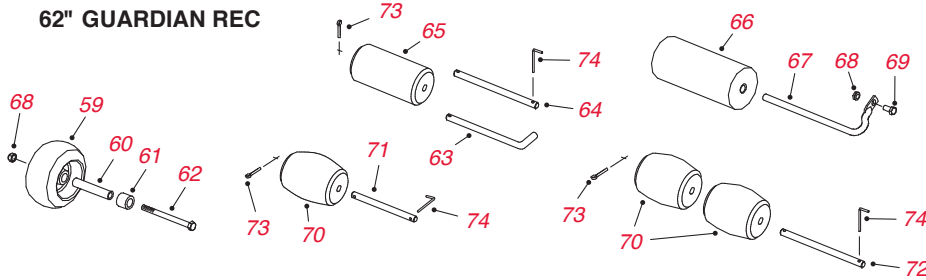
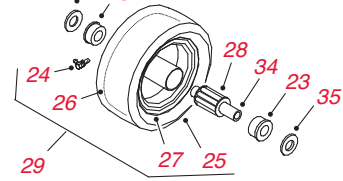
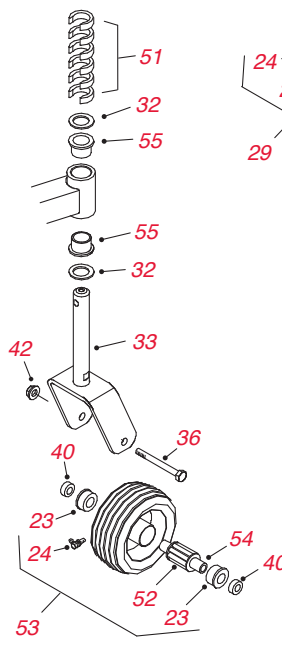
62" SD 1999 & UP



62" GUARDIAN REC



72" SD 1998-04

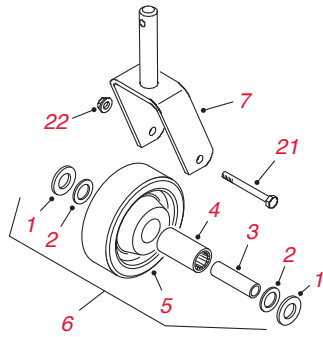


Cutting Unit Caster & Roller Parts

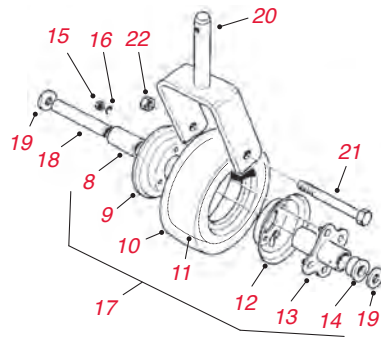
Ref. No.	Part No.	Description	Qty.	Sale Price
1	27-1170	WASHER	4	
2	27-1180	RETAINER	4	
3	27-1200	SPANNER BUSHING	2	
4	27-1210	BEARING	2	
5	27-1190	PHENOLIC WHEEL	2	
6	27-1050	WHEEL ASSEMBLY (INCL #1-5)	2	
7	40-0370-01	CASTER FORK	2	
8	62-5570	BEARING - ROLLER	1	
9	68-8930	WHEEL HALF - MALE	2	
10	68-8960	TIRE	1	
11	68-8950	INNER TUBE	2	
12	68-8920	WHEEL HALF - FEMALE	2	
13	68-8940	HUB - CENTER	2	
14	62-5580	BUSHING - FLANGE	2	
15	3219-2	NUT - HEX	8	
16	3253-4	WASHER - LOCK	8	
17	13-3869	ORDER 68-8970	2	
17	68-8970**	Caster Wheel MVP Kit (Incl #8-16)	2	
*	95-3077**	Caster Wheel MVP Kit (2 Caster Wheels 68-8970)	A/R	
18	68-8980	SPANNER	1	
19	3256-6	WASHER - FLAT	2	
20	68-8900-01	CASTER FORK	2	
21	328-9	CAP SCREW	2	
22	32153-6	LOCKNUT	2	
23	62-5580	BEARING - OUTSIDE	2	
24	302-11	FITTING - GREASE	1	
25	93-9939	TIRE	1	
26	100-5832	INNER TUBE	1	
27	100-2348	RIM ASSEMBLY	1	
28	62-5570	BEARING - ROLLER	1	
29	99-1268	WHEEL ASSEMBLY (INCL #23-28)	4	
30	63-0070	SPACER - 1/2"	A/R	
31	94-1291	BUSHING - FLANGE	4	
32	3-6781	WASHER - THRUST	4	
33	98-7921-01	CASTER FORK	4	
34	68-8980	SPANNER - WHEEL	2	
35	70-8040	WASHER - THRUST	4	
36	325-19	CAP SCREW	2	
37	92-8866	SPACER	12	
38	92-1765	WASHER - THRUST	4	
39	92-5578-01	CASTER FORK	2	
40	99-1291	SPACER - WHEEL	4	
41	325-22	SCREW - HEX HD	4	
42	32128-23	NUT - HEX FLANGE	4	
43	302-40	FITTING - GREASE	1	
44	83-4740	BEARING	1	
45	85-5760**	8" Caster Wheel MVP Kit (Incl #23, 43 & 44)	4	
*	95-3076**	8" Caster Wheel MVP Kit (4 Caster Wheels 85-5760)	A/R	
46	98-7068-01	CASTER FORK	2	
47	62-4340	SPANNER	4	
48	98-2330	PIVOT PIN ASSEMBLY (62" SD 1999 & UP/62" REC/72" SD 1998-04)	2	
49	3272-19	PIN - COTTER	2	
50	32121-67	PIN - ROLL	2	

*Not illustrated. **See pages 18-34 for Kit contents.

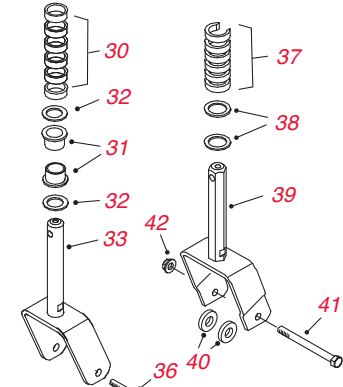
GROUNDMASTERS
GROUNDMASTER® 200 SERIES



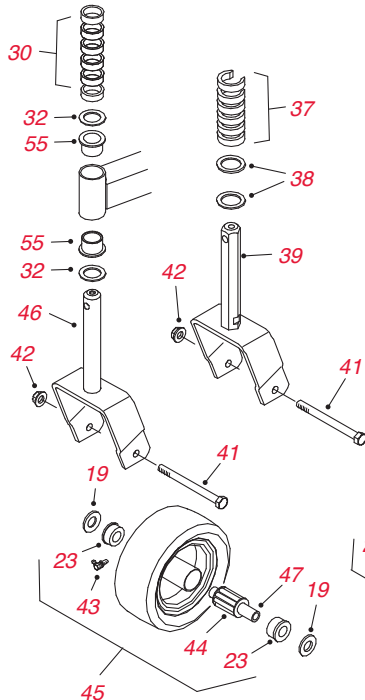
52" SD 1980-88
52" RD 1981-88
62" SD 1982-88
72" SD 1986-88



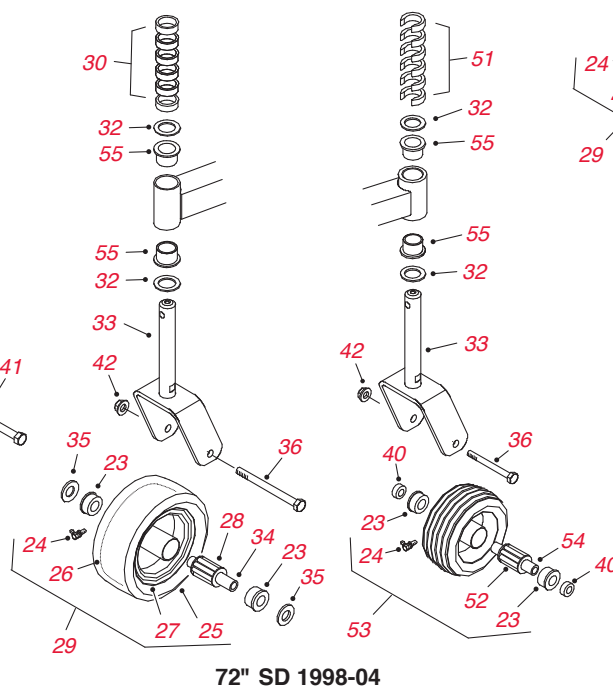
52" SD 1989 & UP
52" RD 1989-02
62" SD 1989-98
72" SD 1989-97



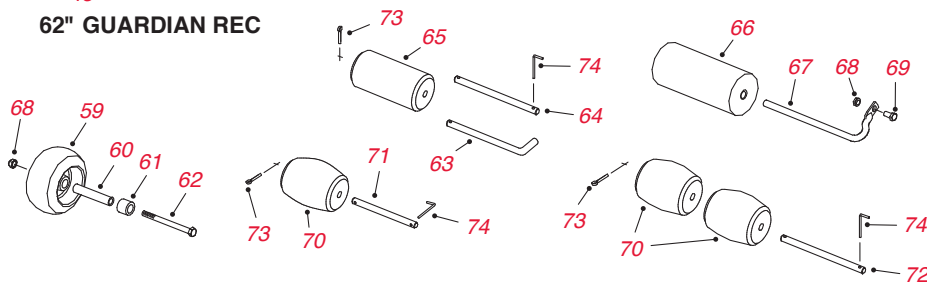
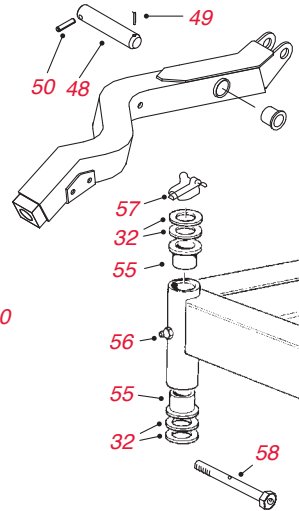
62" SD 1999 & UP



62" GUARDIAN REC



72" SD 1998-04



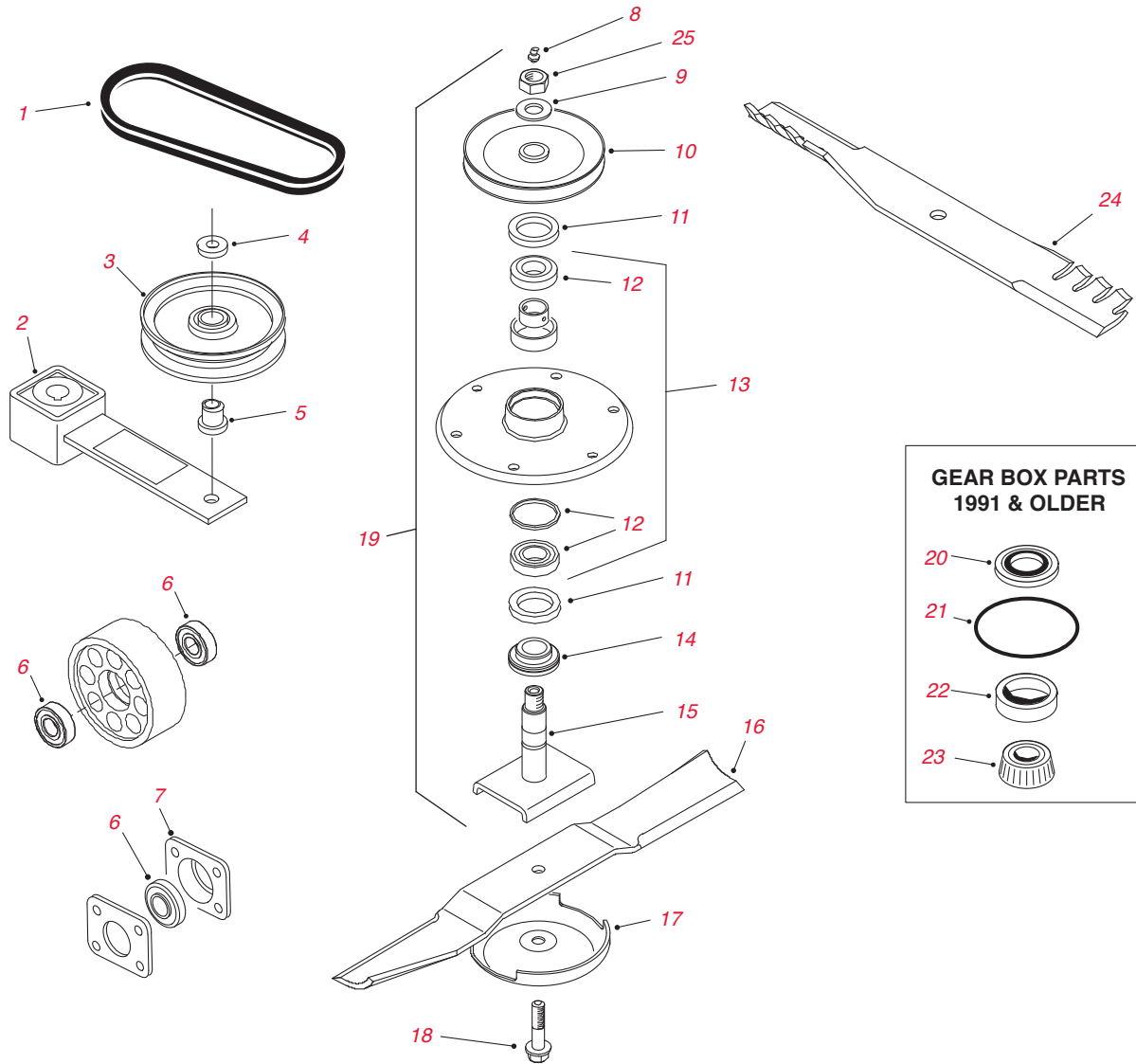
Cutting Unit Caster & Roller Parts - continued

Ref. No.	Part No.	Description	Qty.	Sale Price
51	99-1283	SPACER	12	
52	63-8580	BEARING	1	
53	63-8400	WHEEL ASSEMBLY (INCL #23, 24 & 52)	2	
54	63-1770	SPANNER	1	
55	28-9290	ORDER 94-1291	4	
55	94-1291	BUSHING - FLANGE	4	
56	302-5	GREASE FITTING	2	
57	3290-384	LYNCH PIN (1993 & OLDER)	2	
57	283-71	LYNCH PIN (1994 & UP)	2	
58	46-8140	AXLE - CASTER WHEEL (85 & OLDER)	2	
59	68-2730	ORDER 1-603299	1	
59	1-603299	GAGE WHEEL (GM 220 52 & 62" SD/72" SD 1998-04)	1	
60	98-7912	SPANNER	1	
61	98-7913	SPACER	1	
62	323-23	SCREW - HEX HD	1	
63	40-0340	SHAFT - REAR ROLLER	1	
64	40-6400	SHAFT - REAR ROLLER (62" REC)	1	
65	36-1740	ROLLER - REAR (ALL)	1	
66	68-6710	ROLLER - FRONT (62" SD 1999 & UP/ 72" SD 1998-04)	1	
67	68-6840	SHAFT - ROLLER	1	
68	32128-19	NUT - HEX	1	
69	3234-1	SCREW - HEX FLANGE HD	1	
70	29-4820	ROLLER - SPHERICAL	1	
71	57-0680	SHAFT - SINGLE SPHERICAL ROLLER	1	
72	40-6400	SHAFT - DOUBLE SPHERICAL ROLLER	1	
73	3272-11	PIN - COTTER	A/R	
74	57-0690	PIN	1	

*Not illustrated. **See pages 18-34 for Kit contents.

Prices subject to change without notice. NOTE: Please see your Parts Catalog or Master Parts Viewer to ensure ordering the correct part; the part needed may not be listed. **Not sold separately.

GROUNDMASTERS
GROUNDMASTER® 200 SERIES



Cutting Unit Spindle & Spindle Drive Parts

Ref. No.	Part No.	Description	Qty.	Sale Price
1	27-1160	V-BELT - SPINDLE DRIVE (52" SD/RD)	1	
1	44-6260	V-BELT - SPINDLE DRIVE (62" SD/RD)	1	
1	57-0240	V-BELT - SPINDLE DRIVE (72" SD)	1	
1	92-5588	V-BELT - SPINDLE DRIVE (62" GUARDIAN REC)	1	
2	99-1297	IDLER ARM ASSEMBLY (1999 & OLDER)	1	
2	100-6178	IDLER ARM ASSEMBLY (2000 & UP)	1	
3	65-5940	IDLER PULLEY (52" SD & RD/62" SD/72" SD)	1	
4	7-0081	WASHER (REQUIRED WITH 65-5940)	1	
5	65-5950	BUSHING (REQUIRED WITH 65-5940)	1	
7	37-6730	CASE - BEARING (BAGGER FAN)	2	
8	302-2	FITTING - GREASE (ALL)	1	
9	7-4150	WASHER (ALL BUT 62" GUARDIAN REC)	3	
10	27-0970-03	PULLEY - SPINDLE (52" SD & RD)	3	
10	44-6340	PULLEY - SPINDLE (62" SD)	1	
11	253-139	SEAL - SPINDLE (ALL)	2	
12	27-0960	SPINDLE BEARING (ALL)	2	
13	46-8530	SPINDLE BEARINGS & SPACERS SET (ALL)	1	
14	27-0950	SPACER - SPINDLE (ALL BUT 62" GUARDIAN REC)	1	
14	92-5606	SPACER - SPINDLE (62" GUARDIAN REC)	1	
15	27-0920	SPINDLE SHAFT (ALL BUT 62" GUARDIAN REC)	1	
15	92-5604	SPINDLE SHAFT (62" GUARDIAN REC)	1	
16	27-0990-03	STANDARD BLADE - 18" (52" SD/RD)	3	
*	95-3070**	Standard Blade & Belt MVP Kit (52" Rear & Side Discharge)	A/R	
16	44-5480	HIGH SAIL BLADE - 18" (52" SD/RD)	3	
16	44-6250-03	STANDARD BLADE - 21.75" (62" SD/RD)	3	
*	95-3071**	Standard Blade & Belt MVP Kit (62" Rear & Side Discharge)	A/R	
16	77-6710-03	HIGH SAIL BLADE - 21.75" (62" SD/RD)	3	
16	92-5608-03	STANDARD BLADE - 21.75" (62" GUARDIAN REC)	3	
*	95-3073**	Standard Blade & Belt MVP Kit (62" Guardian Recycler)	A/R	
16	57-0250	ORDER 94-1861-03	3	
16	94-1861-03	STANDARD BLADE - 24.75" (72" SD)	3	
*	95-3072**	Standard Blade & Belt MVP Kit (72" Side Discharge)	A/R	
16	104-4569-03	HIGH SAIL BLADE - 24.75" (72 SD)	3	
17	72-9361	CUP - ANTI-SCALP (ALL)	1	
18	44-2200	BLADE BOLT - HEX HD	3	
18	92-5816	BLADE BOLT - HEX FLANGE HD	3	
19	95-3078**	Deck Spindle MVP Kit (52" Rear & Side Discharge)	A/R	
19	95-3079**	Deck Spindle MVP Kit (62" Rear & Side Discharge)	A/R	
19	95-3081**	Deck Spindle MVP Kit (62" Guardian Recycler)	A/R	
19	95-3080**	Deck Spindle MVP Kit (72" Side Discharge)	A/R	
20	253-137	OIL SEAL (GEAR BOX 52/62)	2	
21	237-97	O-RING (GEAR BOX 52/62)	2	
22	254-90	BEARING CUP (GEAR BOX 52/62)	4	
23	254-91	BEARING CONE (GEAR BOX 52/62)	4	
24	104-1301	ATOMIC BLADE - 18" (52" SD/RD)	3	
*	108-1477	Blade Service Pack (6 Blades 104-1301)	1	
24	104-1303	ATOMIC BLADE - 21.75" (62" RD)	3	
*	106-0631	Blade Service Pack (6 Blades 104-1303)	1	
24	104-1304	ATOMIC BLADE - 24.75" (72" SD)	3	
*	108-1478	Blade Service Pack (6 Blades 104-1304)	1	
25	32146-20	NUT - JAM	1	
*	108-1370	GEARBOX REPLACEMENT KIT	1	

*Not illustrated. **See pages 18-34 for Kit contents.

Prices subject to change without notice. NOTE: Please see your Parts Catalog or Master Parts Viewer to ensure ordering the correct part; the part needed may not be listed. **Not sold separately.

GROUNDMASTERS

GROUNDMASTER® 300 SERIES

Traction Unit Parts

Ref. No.	Part No.	Description	Qty.	Sale Price
FILTERS				
	42-9030	FILTER - ENGINE OIL (GM 322D/325D 2WD)	1	
	42-9030	FILTER - ENGINE OIL (GM 325D 4WD 1991-94)	1	
	67-4330	ORDER 108-3841	1	
	99-8384	ORDER 108-3841	1	
	104-5167	ORDER 108-3841	1	
	108-3841	FILTER - ENGINE OIL (GM 325D 4WD 1994 & UP/328D)	1	
	95-3304	ORDER 108-3817	1	
	108-3817	FILTER - ENGINE OIL (GM 345)	1	
	27-7110	ORDER 108-3833	1	
	108-3833	AIR FILTER ELEMENT	1	
	98-9763	ORDER 108-3810	1	
	108-3810	ELEMENT - AIR CLEANER (328D 2005 & UP)	1	
	18-1520	ORDER 108-3831	1	
	99-9403	ORDER 108-3831	1	
	108-3831	FILTER - FUEL (GM 327/345)	1	
	98-7612	FILTER - FUEL, PLASTIC (GM 328D)	1	
	108-3828	FILTER - FUEL, METAL (GM 328D)	1	
	43-2550	FILTER - FUEL PUMP (GM 322D/325D)	1	
	43-1820	FILTER - FUEL (GM 322D)	1	
	63-8300	FILTER - WATER/FUEL (GM 322D/325D)	1	
	98-9764	ELEMENT - FUEL SEPARATOR (GM 328D 2001-2007)	1	
	110-9049	ELEMENT - FUEL SEPARATOR (GM 328D 2008 & UP)	1	
	112-9140	BIO-DIESEL FUEL FILTER KIT (GM 328D)	1	
	112-8400	BIO-DIESEL FUEL PUMP KIT (GM 328D)	1	
	112-7836	IN-LINE FUEL FILTER (BIO-DIESEL KIT GM 328D)	1	
	110-9015	ELEMENT - SEPARATOR (BIO-DIESEL KIT GM 328D)	1	
	23-2300	FILTER - HYDRO TRANSMISSION (GM 322D 1981-88/327)	1	
	67-8110	FILTER - HYDRO TRANSMISSION (GM 322D/325D/345 1989-93)	1	
	23-9740	FILTER - HYDRO TRANSMISSION (GM 325D/328D/345 1994 & UP)	1	
	98-9493	ELEMENT - BREATHER (GM 328D)	1	
	30023**	400 Hour Filter MVP Kit (GM 325D)	A/R	
	30022**	400 Hour Filter MVP Kit (GM 328D - 2001-07)	A/R	
	30059**	400 Hour Filter MVP Kit (GM 328D - 2008 & Up)	A/R	
	30021**	400 Hour Filter MVP Kit (GM 345)	A/R	
BELTS				
	98-9676	V-BELT - ALTERNATOR DRIVE (GM 328D)	1	
	42-9100	V-BELT - ALTERNATOR DRIVE (GM 322D/325D)	1	
	43-5910	BELT - FAN (GM 322D/325D)	1	
	105-3693	BELT - FAN (GM 328D)	1	
	67-8510	V-BELT - FAN (GM 345)	1	
	92-9785	V-BELT - ALTERNATOR DRIVE (GM345 1994-2004)	1	
	53-9660	ORDER 106-4383	1	
	106-4383	MULTI-ROW V-BELT - PTO DRIVE	1	

*Not illustrated. **See pages 18-34 for Kit contents.

Prices subject to change without notice. NOTE: Please see your Parts Catalog or Master Parts Viewer to ensure ordering the correct part; the part needed may not be listed. **Not sold separately.

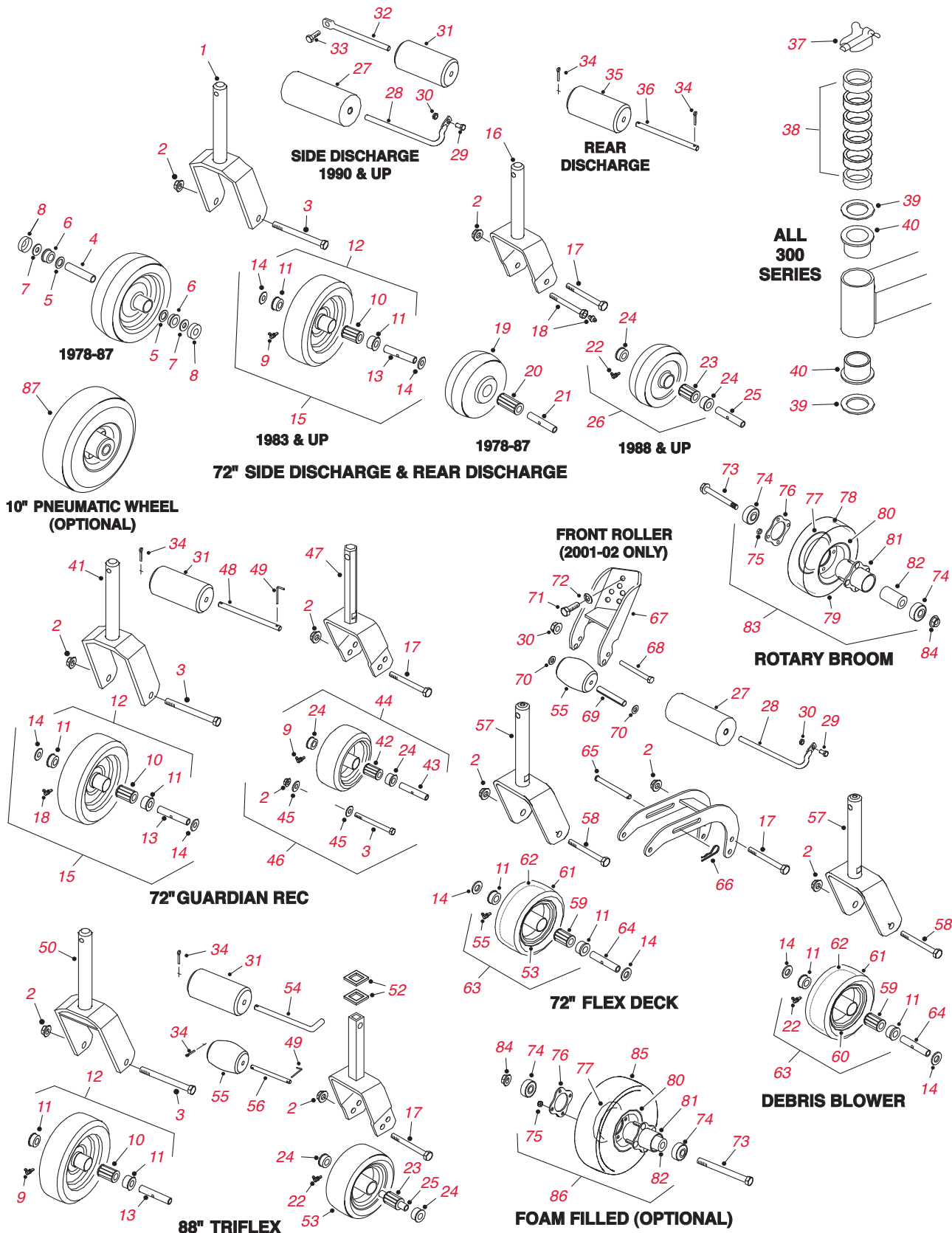
Traction Unit Parts - continued

Ref. No.	Part No.	Description	Qty.	Sale Price
TIRES				
	231-41	ORDER 231-101 (322D/325D/327/345)	2	
	231-101	TIRE - FRONT (23 X 8.5 - 12) 4-PLY (322D/325D/327/345)	2	
	231-138	TIRE - FRONT (23 X 8.5 - 12) 6-PLY (322D/325D)	2	
	231-95	TIRE - FRONT (23 X 10.5 - 12) 4-PLY WIDE (ALL)	2	
	69-9880	TIRE - FRONT (23 X 10.5 - 12) 6-PLY WIDE (ALL)	2	
	95-3348	TIRE - FRONT (23 X 8.5 -12) 4-PLY (345)	2	
	231-43	ORDER 231-105 (ALL)	2	
	231-83	ORDER 231-105 (ALL)	2	
	231-105	TIRE - REAR (16 X 6.5 - 8) 4-PLY RIBBED (ALL)	2	
	231-114	ORDER 231-122 (322D/325D/327/345)	2	
	231-122	TIRE - REAR (18 X 6.5 - 8) 4-PLY 4WD (322D/325D/328D)	2	
BEARINGS				
	See Quick Reference Guide for detailed information on bearing replacements for this model. Page 36-45.			
	254-94	BEARING CONE - 2WD REAR WHEEL	2	
	254-72	BEARING CUP - 2WD REAR WHEEL	2	
	251-8	BEARING - HYDROSTAT	1	
	21-8180	BEARING	2	
	251-259	BEARING - BALL (NEUTRAL ARM)	1	
	251-252	BEARING - BALL (PTO SHAFT)	2	
STARTER & ALTERNATORS				
	112-1351	STARTER (GM 322D/325D)	1	
	98-9705	STARTER (GM 328D)	1	
	112-1359	ALTERNATOR (GM 322D/325D)	1	
	131-6557	ALTERNATOR (GM328D)	1	
SEAT				
	104-4620	SEAT-STD	1	

*Not illustrated. **See pages 18-34 for Kit contents.

Prices subject to change without notice. NOTE: Please see your Parts Catalog or Master Parts Viewer to ensure ordering the correct part; the part needed may not be listed. **Not sold separately.

GROUNDMASTERS
GROUNDMASTER® 300 SERIES



Cutting Unit Caster & Roller Parts

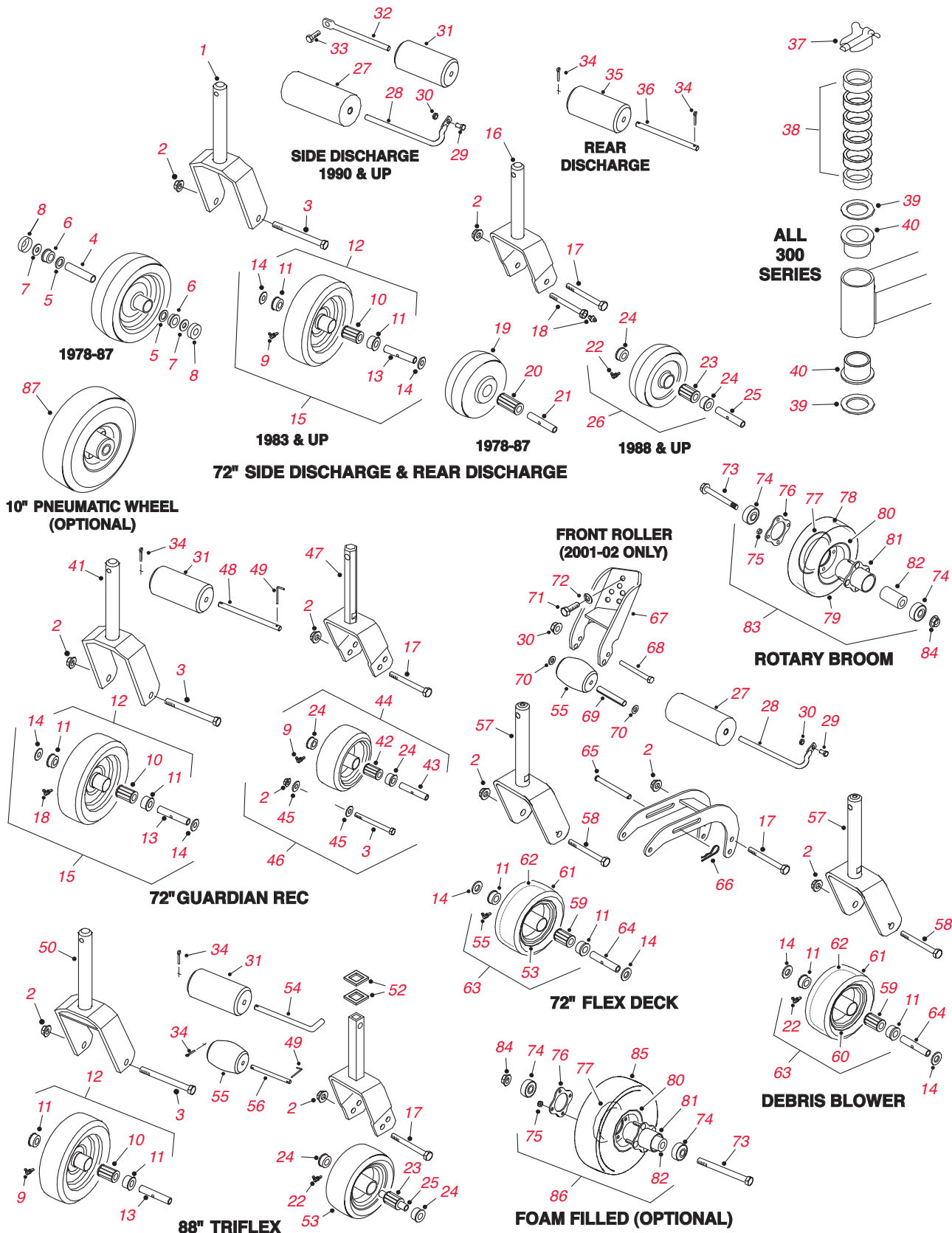
Ref. No.	Part No.	Description	Qty.	Sale Price
1	26-1530-01	FRONT CASTER FORK	2	
2	32128-23	NUT - HEX FLANGE	1	
3	325-22	CAP SCREW	1	
4	3-6776	SPANNER	2	
5	3-6775	WASHER	8	
6	251-181	BEARING	4	
7	3-6777	WASHER	8	
8	3-6778	SLINGER	8	
9	302-40	FITTING - GREASE	1	
10	83-4740	BEARING - ROLLER	1	
11	62-5580	BUSHING - FLANGE	2	
12	62-4330	ORDER 92-1655	2	
12	85-6310	ORDER 92-1655	2	
12	92-1655**	Front Caster Wheel MVP Kit (72" Guardian Recycler)	2	
*	95-3085**	Caster Wheel MVP Kit (2 Caster 92-1655 & 2 Caster 85-5760)	A/R	
13	62-4340	SPANNER	1	
14	3256-6	WASHER - FLAT	2	
15	11-2929	ORDER 95-3082	2	
15	95-3082**	10" Front Caster Wheel MVP Kit (72" SD/RD - 1983 & Up)	2	
*	95-3086**	Caster Wheel MVP Kit (2 Caster 92-1655 & 2 Caster 63-8400)	A/R	
16	75-9680-01	REAR CASTER FORK (1990 & UP)	2	
17	325-18	CAP SCREW	1	
18	21-3870	AXLE - REAR CASTER WHEEL (1987 & OLDER)	2	
19	21-3860	REAR CASTER WHEEL	2	
20	21-3850	BEARING - ROLLER	1	
21	21-1030	SPANNER	1	
22	302-11	FITTING - GREASE	1	
23	63-8580	BEARING - ROLLER	1	
24	62-5580	BEARING - OUTSIDE	2	
25	63-1770	SPANNER	1	
26	63-8400	REAR CASTER WHEEL (INCL #22-24)	2	
*	95-3084**	Rear Caster Wheel MVP Kit (72" SD/RD - 1988 & Up)	2	
27	68-6710	ROLLER	1	
28	68-6840	SHAFT	1	
29	3234-1	CAP SCREW	1	
30	3296-39	NUT - LOCK	1	
31	36-1740	ROLLER	2	
32	62-4480	SHAFT	2	
33	322-4	CAP SCREW	2	
34	3272-11	PIN - COTTER	A/R	
35	31-0750	ROLLER	1	
36	32-9610	SHAFT - ROLLER	1	
37	3290-384	LYNCH PIN (1993 & OLDER)	2	
37	283-71	LYNCH PIN (1994 & UP)	2	
38	63-0070	SPACER - 1/2" (1988 & UP)	6	
38	26-1580	SPACER - 1/2" (1978-87)	6	
38	27-1040	SPACER - 1/4"	A/R	
39	3-6781	THRUST WASHER	8	
40	256-150	BUSHING FLANGE - (1977 & OLDER)	4	
40	28-9290	ORDER 94-1291	2	
40	94-1291	BUSHING FLANGE	2	
41	26-1530-01	FRONT CASTER FORK (1992-96)	2	
41	94-5381-01	FRONT CASTER FORK (1997 & UP)	2	
42	83-4740	BEARING - ROLLER	1	
43	62-4340	SPANNER	1	

*Not illustrated. **See pages 18-34 for Kit contents.

Prices subject to change without notice. NOTE: Please see your Parts Catalog or Master Parts Viewer to ensure ordering the correct part; the part needed may not be listed. **Not sold separately.

GROUNDMASTERS

GROUNDMASTER® 300 SERIES



Cutting Unit Caster & Roller Parts - continued

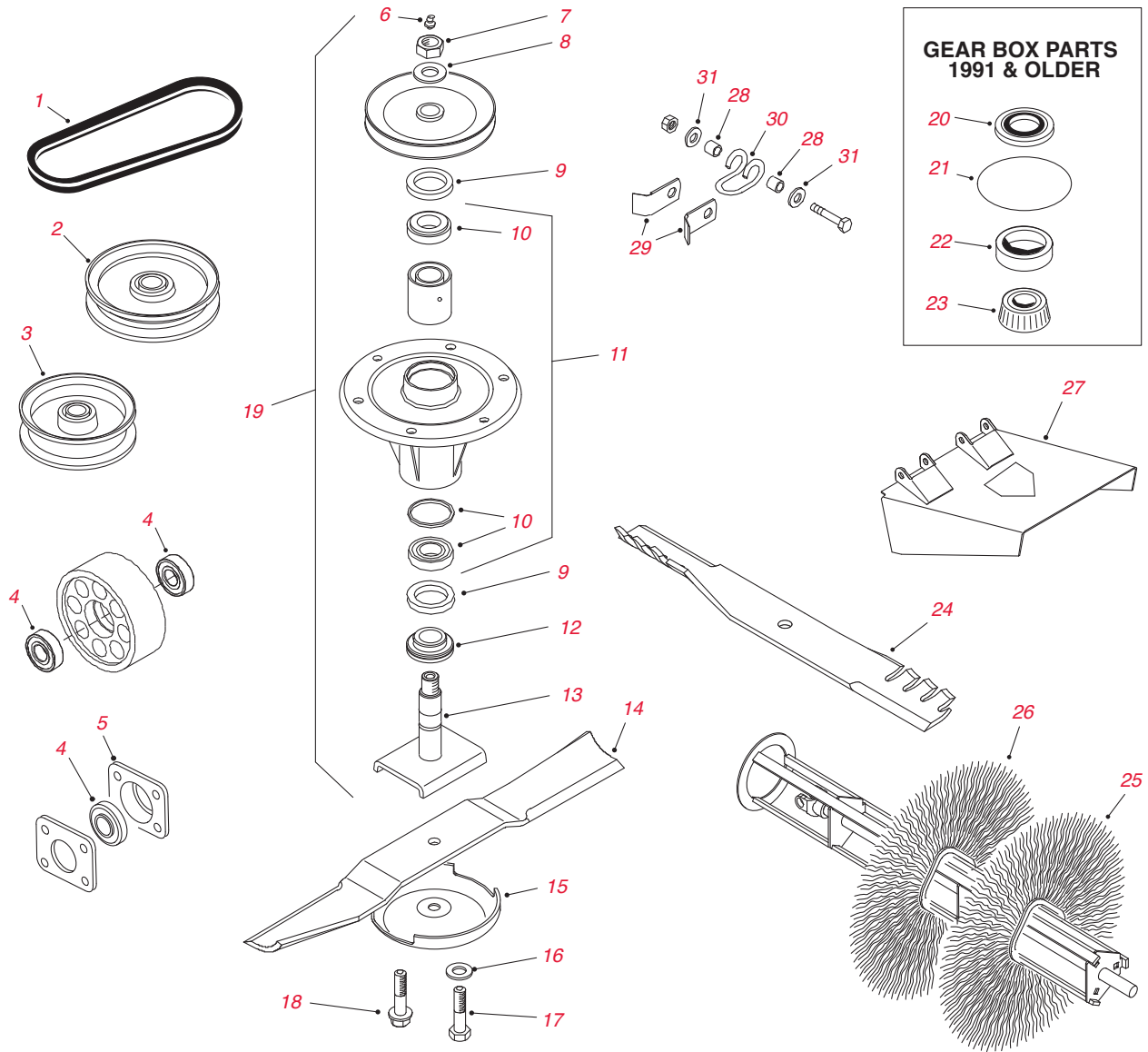
Ref. No.	Part No.	Description	Qty.	Sale Price
44	85-5760**	8" Rear Caster Wheel MVP Kit (72" Guardian Recycler)	2	
45	3256-6	WASHER - FLAT	2	
46	95-3083	REAR CASTER WHEEL ASSEMBLY - 8" (INCL #2, 3, 9, 24 & 42-45)	2	
47	94-5383-01	REAR CASTER FORK	2	
48	40-6400	SHAFT - ROLLER	1	
49	57-0690	PIN	1	
52	63-0960	SPACER	2	
53	70-1820	REAR CASTER WHEEL	2	
55	29-4820	ROLLER	1	
56	57-0680	SHAFT - ROLLER	1	
57	98-7921-01	CASTER FORK	1	
58	325-19	CAP SCREW	2	
59	62-5570	BEARING - ROLLER	1	
60	100-2348	8" RIM ASSEMBLY	1	
61	93-9939	TIRE - 8"	1	
62	100-5832	INNER TUBE	1	
63	99-1268	8" PNEUMATIC WHEEL ASSEMBLY (INCL #11, 22 & 59-62)	1	
64	68-8980	SPANNER	1	
65	100-5024	PIN - CLEVIS	1	
66	3290-343	PIN - HAIR	1	
67	105-2570-01	BRACKET - ROLLER LH	1	
*	105-2573-01	BRACKET - ROLLER RH	1	
68	323-23	CAP SCREW	1	
69	94-2500	TUBE - WHEEL SPACER	1	
70	3256-38	WASHER - FLAT	1	
71	323-6	SCREW - HEX HD	2	
72	3253-21	WASHER - LOCK	2	
73	327-24	CAP SCREW	2	
73	93-4237	ORDER 120-5378	2	
74	120-5378	BEARING	2	
75	32128-16	NUT - LOCK	4	
76	93-4242	PLATE	1	
77	95-2741	RIM HALF	1	
78	68-8950	INNER TUBE	2	
79	93-9939	TIRE	2	
80	93-4239	RIM HALF	1	
81	93-5980	HUB	1	
82	93-4241	BEARING SPACER - INNER	1	
83	93-9938	CASTER WHEEL ASSEMBLY - 8" (INCL #74-82)	2	
84	3296-53	NUT - LOCK	2	
85	93-4243	TIRE	1	
86	93-5973	FOAM FILLED WHEEL ASSEMBLY - 10" (INCL #74-77, 80-82 & 85)	2	
87	12-1509	ORDER 54-8810	2	
87	54-8810	PNEUMATIC WHEEL ASSEMBLY - 10"	2	

*Not illustrated. **See pages 18-34 for Kit contents.

Prices subject to change without notice. NOTE: Please see your Parts Catalog or Master Parts Viewer to ensure ordering the correct part; the part needed may not be listed. **Not sold separately.

GROUNDMASTERS

GROUNDMASTER® 300 SERIES



Cutting Unit Spindle & Spindle Drive Parts

Ref. No.	Part No.	Description	Qty.	Sale Price
1	21-0890	V-BELT - SPINDLE DRIVE (72" SD & RD)	3	
1	93-8457	HEX-BELT - SPINDLE DRIVE (72" GUARDIAN REC)	1	
1	63-1440	ORDER 72-3760	2	
1	72-3760	V-BELT - SPINDLE DRIVE (88" TRIFLEX - WING)	2	
1	63-1510	V-BELT - SPINDLE DRIVE (88" TRIFLEX - CENTER)	1	
1	99-9770	V-BELT - SPINDLE DRIVE (72" FLEX DECK - CENTER)	1	
1	99-9771	V-BELT - SPINDLE DRIVE (72" FLEX DECK - WING)	1	
2	26-1840	IDLER PULLEY (72" SD & RD)	2	
2	63-1540-03	IDLER PULLEY (72" GUARDIAN REC/72" FLEX DECK/88" TRIFLEX)	2	
3	69-5430-03	IDLER PULLEY - FLAT (72" FLEX DECK)	1	
4	38-7820	BEARING - BALL (BAGGER FAN & DEBRIS BLOWER IDLER)	2	
5	37-6730	CASE - BEARING (BAGGER FAN)	2	

*Not illustrated. **See pages 18-34 for Kit contents.

Cutting Unit Spindle & Spindle Drive Parts - continued

Ref. No.	Part No.	Description	Qty.	Sale Price
6	302-5	FITTING - GREASE (72" SD & RD)	3	
6	302-2	FITTING - GREASE (72" GUARDIAN/72" FLEX DECK/88" TRIFLEX)	3	
7	3296-49	NUT - HEX (72" SD & RD/72" GUARDIAN REC/72" FLEX DECK)	3	
8	7-4150	WASHER (88" TRIFLEX)	3	
8	3-8514	WASHER (72" SD & RD/72" FLEX DECK)	3	
9	253-138	SPINDLE SEAL (72" SD 1978-89)	6	
9	253-139	SPINDLE SEAL (88" TRIFLEX)	6	
9	253-154	SPINDLE SEAL (72" GUARDIAN REC/72" FLEX DECK)	6	
9	253-154	SPINDLE SEAL - UPPER (72" RD/72" SD 1990 & UP)	3	
9	253-138	SPINDLE SEAL - LOWER (72" RD/72" SD 1990 & UP)	3	
10	26-1830	ORDER 110-8297	1	
10	110-8297	SPINDLE BEARING (72" SD & RD/72" FLEX DECK)	1	
11	49-8320	SPINDLE BEARING & SPACER SET (72" SD & RD/72" FLEX DECK)	3	
11	71-2530	SPINDLE BEARINGS & SPACER SET (72" GUARDIAN REC)	3	
12	27-0950	SPACER - SPINDLE (88" TRIFLEX)	1	
12	92-9800	ORDER 69-6950	1	
12	69-6950	SPACER - SPINDLE (72" GUARDIAN REC/72" FLEX DECK)	1	
13	26-1680	ORDER 84-5370	1	
13	84-5370	SPINDLE SHAFT - CENTER (72" SD & RD)	1	
13	84-2070	ORDER 110-8537	2	
13	110-8537	SPINDLE SHAFT - OUTER (72" SD & RD)	2	
13	85-6010	SPINDLE SHAFT (72" GUARDIAN REC)	3	
14	63-0080-03	STANDARD BLADE - 19" (88" TRIFLEX)	5	
14	85-6040-03	STANDARD BLADE - 25" (72" GUARDIAN REC)	3	
*	95-3088**	Standard Blade & Belt MVP Kit (72" Guardian Recycler)	A/R	
14	29-5530-03	STANDARD BLADE - 25" (72" SD & RD)	3	
*	95-3087**	Standard Blade & Belt MVP Kit (72" Rear & Side Discharge)	A/R	
14	23-2410-03	HIGH SAIL BLADE - 25" (72" SD & RD)	3	
*	95-3094**	High Sail Blade & Belt MVP Kit (72" Rear & Side Discharge)	A/R	
15	72-9361	CUP - ANTI-SCALP (72" GUARDIAN REC/88" TRIFLEX)	1	
15	99-9827	CUP - ANTI-SCALP (72" FLEX DECK)	1	
16	26-1990	WASHER - BLADE BOLT (72" SD & RD)	3	
16	67-5770	WASHER - BLADE BOLT (88" TRIFLEX)	3	
17	44-2200	BLADE BOLT - HEX HD (88" TRIFLEX)	3	
17	26-1820	BLADE BOLT (72" SD & RD/ 72" FLEX DECK)	3	
18	92-5816	BLADE BOLT - HEX FLANGE HD (72" GUARDIAN REC)	3	
19	95-3089**	Deck Spindle MVP Kit (72" Rear & Side Discharge - Left)	A/R	
19	95-3090**	Deck Spindle MVP Kit (72" Rear & Side Discharge - Center)	A/R	
19	95-3095**	Deck Spindle MVP Kit (72" Rear & Side Discharge - Right)	A/R	
19	95-3091**	Deck Spindle MVP Kit (72" Guardian Recycler)	A/R	
20	253-137	OIL SEAL	2	
21	237-97	O-RING	2	
22	254-90	BEARING CUP	4	
23	254-91	BEARING CONE	4	
24	106-4354	ORDER 106-4353-03	3	
24	106-4353-03	ATOMIC BLADE - 25" (72" SD & RD)	3	
*	108-1454	Blade Service Pack (6 Blades 106-4353-03)	1	
25	94-7372	BRUSH ELEMENT - POLY	34	
26	95-5942	BRUSH ELEMENT - WIRE	34	
27	104-9483	DEFLECTOR ASSEMBLY (72" FLEX DECK)	1	
28	92-4284	SPACER (FLAIL 2760)	A/R	
29	92-4285	BLADE (FLAIL 2760)	A/R	
30	92-4286	ORDER 110-7500	A/R	
30	110-7500	HANGER - FLAIL PIVOT (FLAIL 2760)	A/R	
31	3256-3	WASHER - FLAT	A/R	
*	108-1370	GEARBOX REPLACEMENT KIT	1	

*Not illustrated. **See pages 18-34 for Kit contents.

Prices subject to change without notice. NOTE: Please see your Parts Catalog or Master Parts Viewer to ensure ordering the correct part; the part needed may not be listed. **Not sold separately.

GROUNDMASTERS

GROUNDMASTER® 455D

Traction Unit Parts

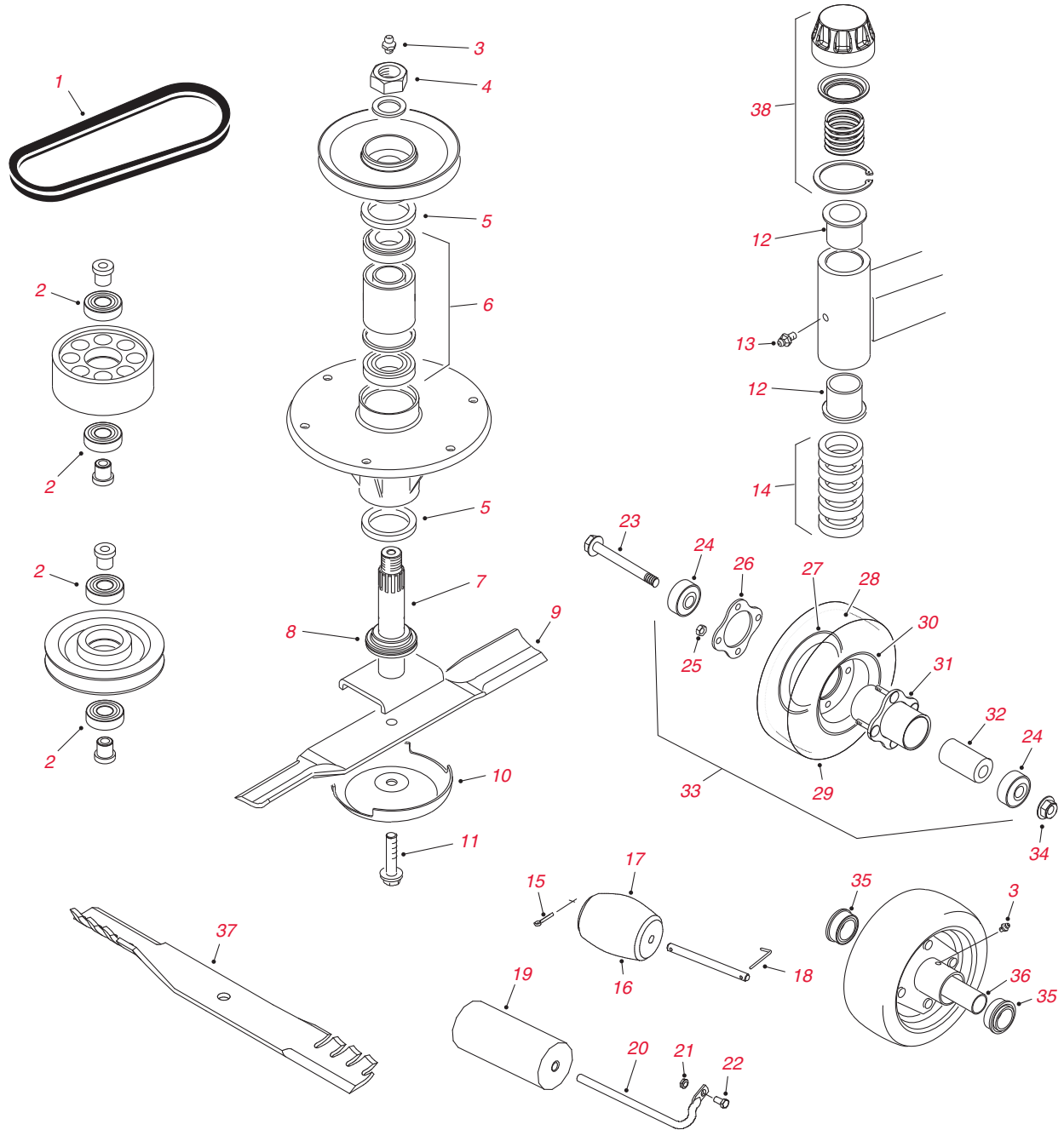
Ref. No.	Part No.	Description	Qty.	Sale Price
FILTERS				
	74-7970	ORDER 108-3837	1	
	108-3837	FILTER - ENGINE OIL	1	
	27-7110	ORDER 108-3833	1	
	108-3833	AIR FILTER ELEMENT (1992-95)	1	
	94-1412	ORDER 108-3812	1	
	93-9162	ORDER 108-3812	1	
	108-3812	PRIMARY FILTER - AIR (1995 & UP)	1	
	94-1413	ORDER 108-3813	1	
	93-9163	ORDER 108-3813	1	
	108-3813	SAFETY FILTER - AIR (1995 & UP)	1	
	76-5220	ELEMENT - FUEL FILTER	1	
	86-3010	FILTER - HYDROSTATIC TRANSMISSION	1	
	30028**	400 Hour Filter MVP Kit (GM 455D)	A/R	
BELTS				
	94-3256	V-BELT - ALTERNATOR DRIVE	1	
	74-8830	BELT - TIMING	1	
TIRES				
	86-5900	TIRE - FRONT (26 X 12 - 12) 8-PLY	2	
	99-5434	TIRE - FRONT (26 X 12 - 12) 6-PLY MULTI-TRAC	2	
	86-5910	TIRE - REAR (20 X 10 - 10) 6-PLY	2	
	94-5236	TIRE - REAR (20 X 10 - 10) 6-PLY MULTI-TRAC	2	
BEARINGS				
	See Quick Reference Guide for detailed information on bearing replacements for this model. Page 36-45.			
	254-106	CONE - BEARING (2WD REAR WHEEL - INNER)	2	
	254-92	CONE - BEARING (2WD REAR WHEEL - OUTER)	2	
	254-107	CUP - BEARING (2WD REAR WHEEL - INNER)	2	
	254-72	CUP - BEARING (2WD REAR WHEEL - OUTER)	2	
	251-307	ORDER 251-259	2	
	251-259	BEARING - BALL (NEUTRAL ARM)	2	
STARTER & ALTERNATORS				
	112-1352	STARTER	1	
	76-5050	ALTERNATOR (1992-1995)	1	
	112-1364	ALTERNATOR (1996 & UP)	1	
SEAT				
	104-4620	SEAT-STD	1	

*Not illustrated. **See pages 18-34 for Kit contents.

Prices subject to change without notice. NOTE: Please see your Parts Catalog or Master Parts Viewer to ensure ordering the correct part; the part needed may not be listed. **Not sold separately.

GROUNDMASTERS
GROUNDMASTER® 455D

126" QUADFLOAT CUTTING UNIT PARTS



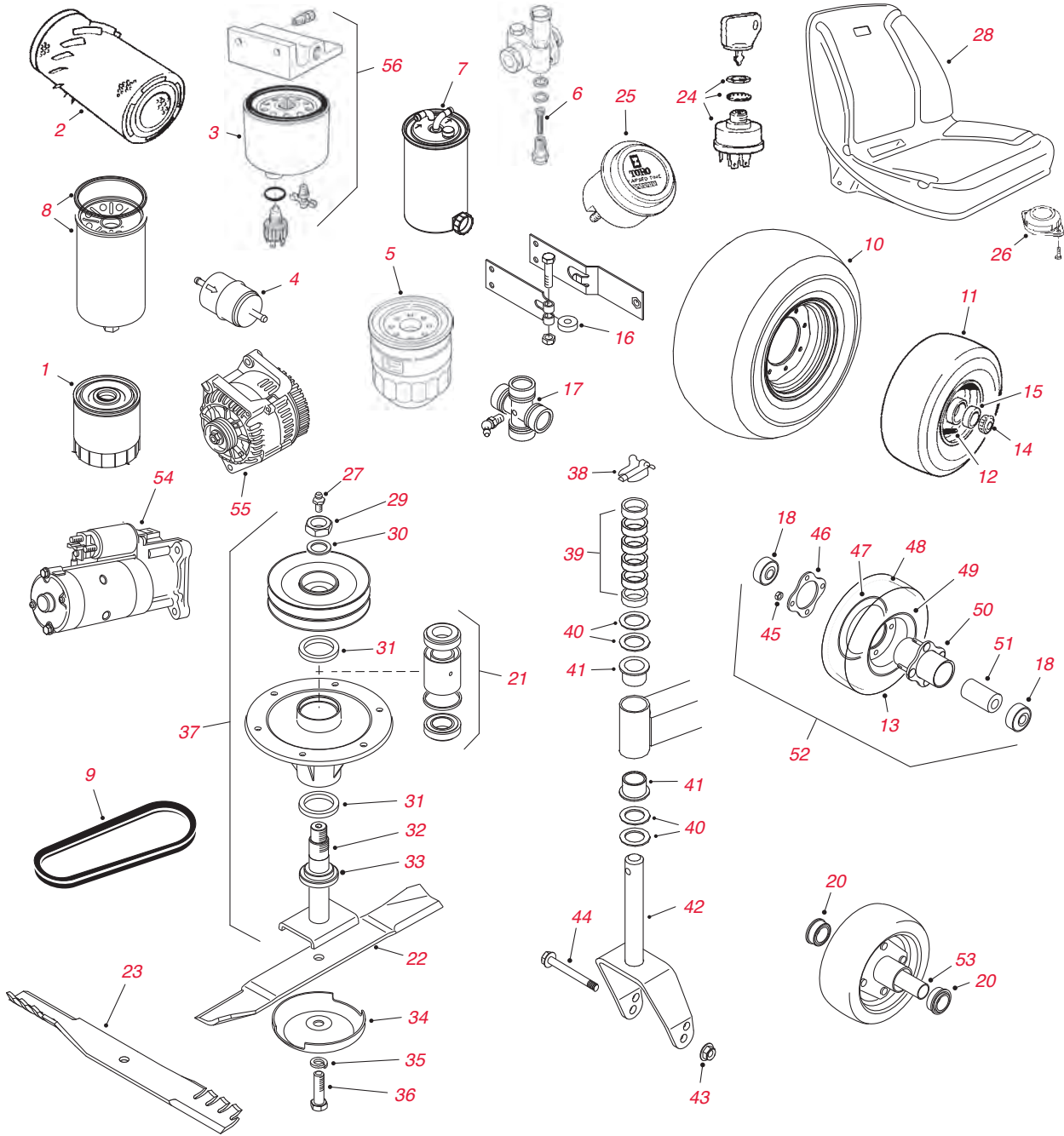
126" Quadfloat Cutting Unit Parts

Ref. No.	Part No.	Description	Qty.	Sale Price
1	86-1970	V-BELT - SPINDLE (CENTER DECK)	1	
1	86-1960	V-BELT - SPINDLE (WING DECKS 1992-2000 SERIAL 20000200)	2	
1	100-2588	V-BELT - SPINDLE (WING DECKS 2000 SERIAL 20000201-2003)	2	
2	38-7820	BEARING - BALL	2	
3	302-2	FITTING - GREASE	4	
4	3296-49	NUT - HEX	1	
5	253-154	SEAL - SPINDLE	2	
6	71-2530	SPINDLE BEARINGS & SPACER SET	1	
7	86-2340	ORDER 95-4387	1	
7	95-4387	SHAFT - SPINDLE (CENTER DECK)	1	
7	95-4387	SHAFT - SPINDLE (WING DECK)	1	
8	92-9800	ORDER 69-6950	1	
8	69-6950	SPACER - SPINDLE	1	
9	86-0010-03	STANDARD BLADE - 19"	5	
10	72-9361	CUP - ANTI-SCALP	1	
11	92-5816	BOLT - BLADE	7	
12	69-6470	BUSHING	4	
13	302-5	FITTING - GREASE	4	
14	69-1510	SPACER - CASTER	6	
15	3272-11	PIN - COTTER	2	
16	29-4820	ROLLER - REAR	2	
17	57-0680	SHAFT - ROLLER	2	
18	57-0690	PIN	2	
19	68-6710	ROLLER - FRONT	1	
20	68-6840	SHAFT - ROLLER	1	
21	32128-21	NUT - HEX	1	
22	3234-1	SCREW - HEX FLANGE HD	1	
23	327-24	CAP SCREW	2	
23	93-4237	ORDER 120-5378	2	
24	120-5378	BEARING	2	
25	32128-16	NUT - LOCK	4	
26	93-4242	PLATE	1	
27	95-2741	RIM HALF	1	
28	68-8950	INNER TUBE - 8" TIRE	2	
28	93-4244	INNER TUBE - 10" TIRE	2	
29	93-9939	TIRE - 8"	2	
29	93-4243	TIRE - 10"	2	
30	93-4239	RIM HALF	1	
31	93-5980	HUB	1	
32	93-4241	BEARING SPACER - INNER	1	
33	86-0020	ORDER 93-9938	1	
33	93-9938	8" WHEEL ASSEMBLY (WING DECK)	1	
33	93-5974	8" FOAM FILLED WHEEL ASSEMBLY (WING DECK - OPTIONAL)	1	
33	85-6420	ORDER 93-4240	1	
33	93-4240	10" WHEEL ASSEMBLY (CENTER DECK)	1	
33	93-5973	10" FOAM FILLED WHEEL ASSEMBLY (CENTER DECK - OPTIONAL)	1	
34	3296-53	NUT - LOCK	2	
35	251-321	BEARING (10" SEGMENTED WHEEL)	2	
36	251-332	ORDER 104-2547	1	
36	104-2547	SPANNER (10" SEGMENTED WHEEL)	1	
37	107-0216-03	ATOMIC BLADE 19"	5	
*	108-1452	Blade Service Pack (7 Blades 107-0216-03)	1	
38	92-9727	CAP ASSEMBLY - HEIGHT OF CUT	2	

*Not illustrated. **See pages 18-34 for Kit contents.

Prices subject to change without notice. NOTE: Please see your Parts Catalog or Master Parts Viewer to ensure ordering the correct part; the part needed may not be listed. **Not sold separately.

GROUNDMASTERS
GROUNDMASTER® 580D

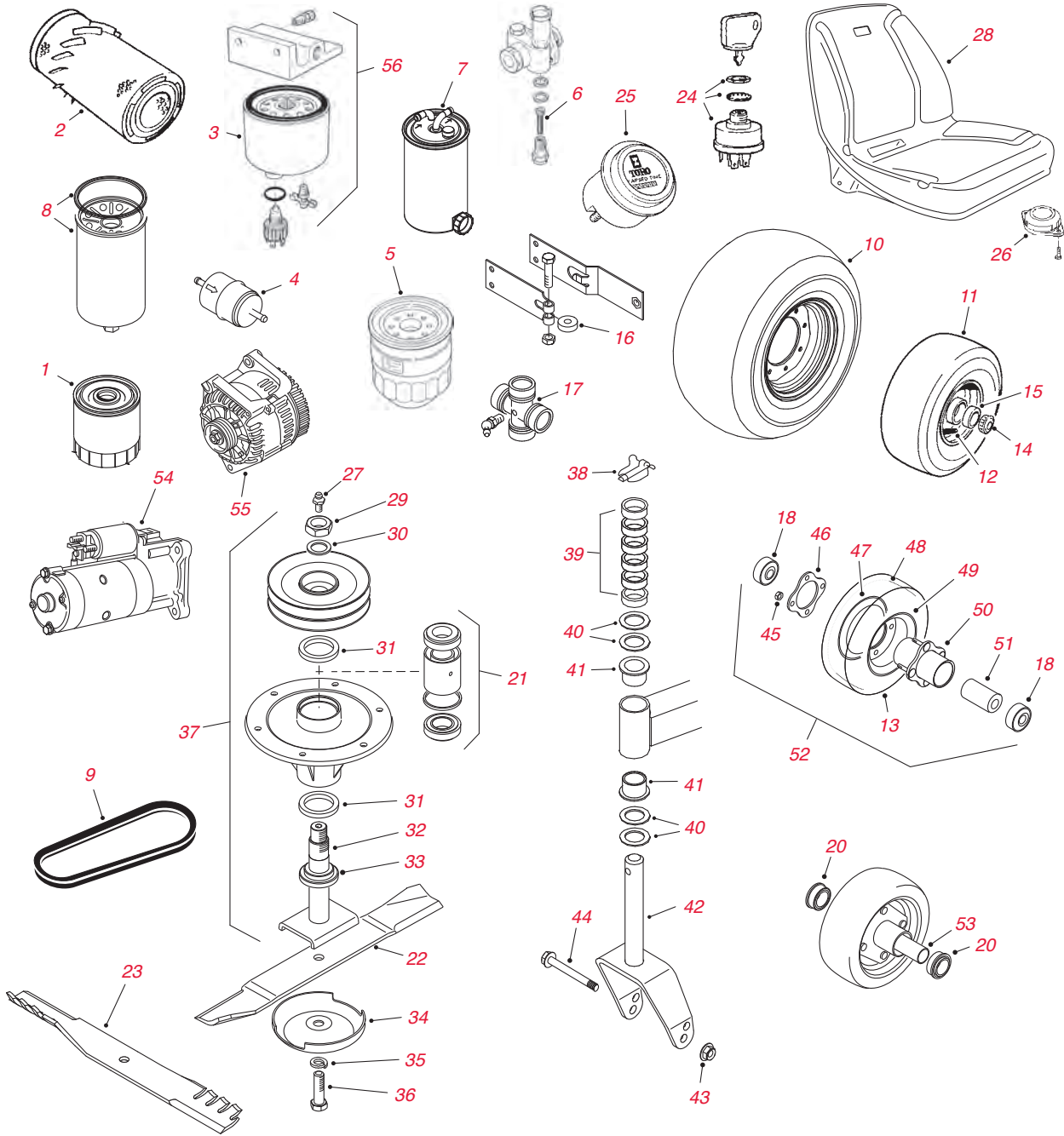


Traction Unit & Cutting Unit Parts

Ref. No.	Part No.	Description	Qty.	Sale Price
1	49-2500	ORDER 108-3835	1	
1	108-3835	FILTER - ENGINE OIL (1989-97)	1	
1	99-2143	ORDER 110-6166	1	
1	110-6166	FILTER - ENGINE OIL (1998 & UP)	1	
2	69-1900	ORDER 108-3809	1	
2	108-3809	ELEMENT - AIR FILTER (1989-1997)	1	
2	108-3815	ELEMENT - AIR FILTER (2005 & UP)	1	
3	69-1770	ORDER 117-9432	1	
3	117-9432	ELEMENT - FUEL FILTER (1989-03)		
3	107-4395	ORDER 60-5470	1	
3	60-5470	ELEMENT - FUEL FILTER (2004-05)	1	
4	108-3831	IN-LINE FUEL FILTER (2006 & UP)	1	
5	70-5730	ORDER 108-3818	1	
5	108-3818	ELEMENT (INJECTION PUMP FUEL FILTER)	1	
6	70-4790	FILTER - FUEL FEED PUMP	1	
7	112-9188	ELEMENT - FUEL FILTER (2008 & UP)	1	
*	112-9130	BIO-DIESEL FUEL FILTER KIT (INCL #7)	1	
8	69-1720	HYDRAULIC FILTER	1	
*	30024**	400 Hour Filter MVP Kit (GM 580D - 1989-03)	A/R	
*	30063**	400 Hour Filter MVP Kit (GM 580D - 2004 & Up)	A/R	
9	69-6220	ORDER 93-8457	1	
9	93-8457	HEX-BELT - SPINDLE DRIVE (CENTER DECK)	1	
9	69-6210	ORDER 99-2318	1	
9	76-2060	ORDER 99-2318	1	
9	99-2318	V-BELT - SPINDLE DRIVE (WING DECK)	1	
10	69-9800	TIRE - FRONT (31 X 13.5 - 15) 8-PLY (STANDARD)	2	
11	69-9880	TIRE - REAR (23 X 10.5 - 12) 6-PLY	2	
12	232-27	ORDER 5108	2	
12	5108	VALVE STEM	2	
13	93-4243	10" TIRE	1	
14	254-106	CONE - BEARING (REAR WHEEL - INNER)	2	
14	254-92	CONE - BEARING (REAR WHEEL - OUTER)	2	
15	254-107	CUP - BEARING (REAR WHEEL - INNER)	2	
15	254-72	CUP - BEARING (REAR WHEEL - OUTER)	2	
16	251-307	ORDER 251-259	1	
16	251-259	BEARING - BALL (NEUTRAL ARM)	1	
17	92-4187	U-JOINT KIT (PUMP DRIVE)	2	
18	93-4237	ORDER 120-5378	2	
18	120-5378	BEARING (13" WHEEL - 1997 & UP)	2	
20	251-321	BEARING (10" & 13" WHEEL - 1989-96)	2	
21	71-2530	BEARING & SPACER KIT	1	
22	69-6920-03	STANDARD BLADE - 20"	11	
23	107-0217-03	ATOMIC BLADE - 20"	11	
*	108-1453	Blade Service Pack (11 Blades 107-0217-03)	1	
24	27-2360	KEY SWITCH (6 LEAD)	1	
25	66-2950	HOUR METER	1	
26	92-6282	SWITCH - SEAT	1	
27	302-2	FITTING - GREASE	1	
28	49-8130	ORDER 104-4620	1	
28	92-1180	ORDER 104-4620	1	
28	104-4620	SEAT ASSEMBLY	1	
29	3296-49	NUT - LOCK	1	
30	3-8514	WASHER - THRUST	1	
31	253-154	SPINDLE SEAL	2	
32	69-6760	ORDER 110-3285	11	

*Not illustrated. **See pages 18-34 for Kit contents.

GROUNDMASTERS
GROUNDMASTER® 580D



Traction Unit & Cutting Unit Parts - continued

Ref. No.	Part No.	Description	Qty.	Sale Price
32	110-3285	SPINDLE	11	
33	92-9800	ORDER 69-6950	1	
33	69-6950	SPACER - SPINDLE	1	
34	67-7561	CUP - ANTI-SCALP	1	
35	3253-8	WASHER - LOCK	11	
36	51-4060	BOLT - BLADE	11	
37	69-8400**	Deck Spindle MVP Kit (1989-01)	A/R	
37	106-0005**	Deck Spindle MVP Kit (2002 & Up - Center)	A/R	
37	106-0006**	Deck Spindle MVP Kit (2002 & Up - Outer)	A/R	
38	3290-384	LYNCH PIN (1993 & OLDER)	2	
38	283-71	LYNCH PIN (1994 & UP)	2	
39	69-1510	SPACER - CASTER	6	
40	69-6860	THRUST WASHER	8	
41	69-6470	BUSHING	4	
42	75-9650	ORDER 69-6270-01	2	
42	69-6270-01	CASTER FORK - WING DECK	2	
42	69-6310	ORDER 75-9670-01	2	
42	75-9670-01	CASTER FORK - CENTER DECK	2	
43	3296-53	NUT - LOCK	1	
44	327-24	CAP SCREW (FRONT DECK REAR CASTER)	1	
44	327-25	CAP SCREW (FRONT DECK FRONT CASTER)	1	
44	327-17	CAP SCREW (WING DECK CASTER)	1	
45	32128-16	NUT - LOCK	4	
46	93-4242	PLATE	1	
47	95-2741	RIM HALF	1	
48	93-4244	10" INNER TUBE	1	
49	93-4239	RIM HALF	1	
50	93-5980	HUB	1	
51	93-4241	SPANNER	1	
52	93-4240	10" PNEUMATIC WHEEL ASSEMBLY	1	
52	93-5973	10" FOAM FILLED WHEEL ASSEMBLY (OPTIONAL)	1	
53	251-332	ORDER 104-2547	1	
53	104-2547	SPANNER (10" WHEEL - 1989-96)	1	
53	251-333	SPANNER (13" WHEEL - 1989-96)	1	
54	70-5860	ORDER 112-1353	1	
54	112-1353	STARTER (1989-1997)	1	
54	104-8609	ORDER 112-7022	1	
54	112-7022	STARTER (2006 SERIAL 301 UP)	1	
55	70-5760	ORDER 112-1357	1	
55	112-1357	ALTERNATOR (1989-1997)	1	
55	112-1360	ALTERNATOR (1998-2004)	1	
55	107-1169	ORDER 112-7024	1	
55	112-7024	ALTERNATOR (2006 SERIAL 301 UP)	1	
*	69-4320	FITTING-HYD, 90 DEG	1	

*Not illustrated. **See pages 18-34 for Kit contents.

Prices subject to change without notice. NOTE: Please see your Parts Catalog or Master Parts Viewer to ensure ordering the correct part; the part needed may not be listed. **Not sold separately.

GROUNDMASTERS

GROUNDMASTER® 3000 / 3000D

Traction Unit Parts

	Part No.	Description	Qty.	Sale Price
FILTERS				
	74-7970	ORDER 108-3837	1	
	108-3837	FILTER - ENGINE OIL (GM 3000D)	1	
	94-1412	ORDER 108-3812	1	
	93-9162	ORDER 108-3812	1	
	108-3812	PRIMARY FILTER-AIR	1	
	94-1413	ORDER 108-3813	1	
	108-3813	SAFETY FILTER-AIR	1	
	76-5220	ELEMENT - FUEL FILTER (GM 3000D)	1	
	94-3951	FILTER - HYDRAULIC OIL	1	
	93-5670	ELEMENT - BREATHER	1	
	30010**	400 Hour Filter MVP Kit (GM 3000D)	A/R	
TIRES				
	93-5431	TIRE - FRONT (25 X 10.5 - 15) 6-PLY	2	
	98-2373	ORDER 117-5196	2	
	117-5196	TIRE - FRONT (26.5 X 14 - 12) 2-PLY WIDE ULTRA-TRAC	2	
	95-2638	TIRE - FRONT (24 X 13 - 12) 4-PLY	2	
	74-5560	TIRE - REAR (20 X 8 - 10) 6-PLY	2	
	95-2625	TIRE - REAR (18 X 8.5 - 10) 4-PLY	2	
BEARINGS				
	See Quick Reference Guide for detailed information on bearing replacements for this model. Page 36-45.			
	254-92	BEARING CONE - 2WD REAR WHEEL	2	
	254-72	BEARING CUP - 2WD REAR WHEEL	2	
	28-3650	ORDER 251-8	1	
	251-8	BEARING - HYDROSTAT	1	
	251-259	BEARING - BALL (NEUTRAL ARM)	1	
STARTER & ALTERNATORS				
	104-0142	ORDER 112-1366	1	
	112-1366	STARTER (3000D)	1	

*Not illustrated. **See pages 18-34 for Kit contents.

Traction Unit Parts

Part No.	Description	Qty.	Sale Price
FILTERS			
104-5167	ORDER 108-3841	1	
108-3841	FILTER - ENGINE OIL (GM 3280D)	1	
108-3842	FILTER - ENGINE OIL (GM 3320)	1	
108-3810	AIR FILTER ELEMENT	1	
98-7612	FILTER - FUEL, PLASTIC (GM 3280D)	1	
108-3828	FILTER - FUEL, METAL (GM 3280D)	1	
99-9193	ORDER 108-3854	1	
95-2926	ORDER 108-3854	1	
108-3854	FILTER - FUEL (GM 3320)	1	
98-9764	ELEMENT - SEPARATOR (GM 3280D 2005-2007)	1	
110-9049	ELEMENT - SEPARATOR (GM 3280D 2008 & UP)	1	
112-9140	BIO-DIESEL FUEL FILTER KIT (GM 3280D)	1	
112-7836	IN-LINE FUEL FILTER (BIO-DIESEL KIT GM 3280D)	1	
110-9015	ELEMENT - SEPARATOR (BIO-DIESEL KIT GM 3280D)	1	
23-2300	FILTER - HYDROSTATIC TRANSMISSION	1	
30034**	400 Hour Filter MVP Kit (GM 3280D - 2005-07)	A/R	
30051**	400 Hour Filter MVP Kit (GM 3280D - 2008-2011)	A/R	
BELTS			
104-3494	V-BELT - ALTERNATOR/WATER PUMP DRIVE (GM 3280D)	1	
TIRES			
108-6594	ORDER 117-0823	2	
117-0823	TIRE - FRONT (23 X 9.5 - 12) 4-PLY (GM 3280D/3320)	2	
231-95	TIRE - FRONT (23 X 10.5 - 12) 4-PLY WIDE (GM 3280D/3320)	2	
69-9880	TIRE - FRONT (23 X 10.5 - 12) 6-PLY WIDE (GM 3280D/3320)	2	
231-43	ORDER 231-105	2	
231-83	ORDER 231-105	2	
231-105	TIRE - REAR 2WD (16 X 6.5 - 8) 4-PLY RIBBED (3280D/3320)	2	
231-114	ORDER 231-122	2	
231-122	TIRE - REAR 4WD (18 X 6.5 - 8) 4-PLY (3280D)	2	
BEARINGS			
21-8180	BEARING	2	
251-8	BEARING - HYDROSTAT	1	
STARTER & ALTERNATORS			
98-9705	STARTER (GM 3280D)	1	
99-9207	ORDER 110-2598	1	
110-2598	STARTER (GM 3320)	1	
131-6557	ALTERNATOR (GM 3280D)	1	
99-9209	ALTERNATOR (GM 3320)	1	

*Not illustrated. **See pages 18-34 for Kit contents.

Prices subject to change without notice. NOTE: Please see your Parts Catalog or Master Parts Viewer to ensure ordering the correct part; the part needed may not be listed. **Not sold separately.

GROUNDMASTERS

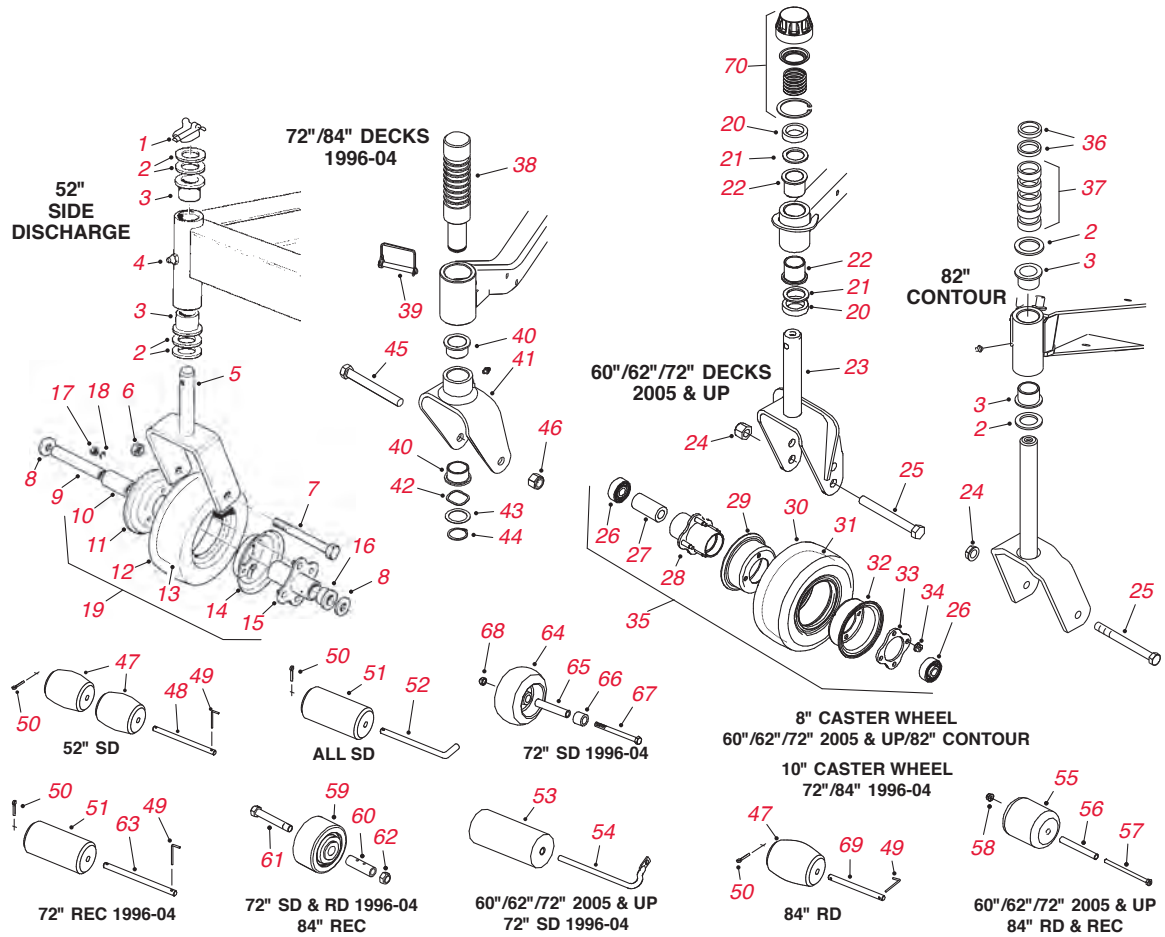
GROUNDMASTER® 3280D TIER 4 MODELS: 30344 / 30345

Traction Unit Parts

Ref. No.	Part No.	Description	Qty.	Sale Price
FILTERS				
	108-3810	AIR FILTER ELEMENT	1	
	114-4057	ELEMENT-SAFETY, 5 INCH	1	
	108-3841	FILTER - ENGINE OIL	1	
	110-9049	ELEMENT - SEPARATOR (GM 3280D 2008 & UP)	1	
	23-2300	FILTER - HYDROSTATIC TRANSMISSION	1	
	30051**	400 Hour Filter MVP Kit (GM 3280D - 2008 & Up)		A/R
BELTS				
	104-3494	V-BELT - ALTERNATOR/WATER PUMP DRIVE (GM 3280D)	1	
	63-6240	V-BELT, SHAFT ASM	1	
TIRES				
	117-0823	FRONT (23 X 9.5 - 12) 4-PLY STANDARD	2	
	231-105	FRONT (23 X 10.5 - 12) 4-PLY WIDE Ribbed (30344 Model)	2	
	231-122	REAR 4WD (18 X 6.5 - 8) 4-PLY (30345 Model)	2	
	231-95	TIRE (23 x 10.5 - 12) 4-Ply - Wide Wheel Opt.	2	
	69-9880	TIRE (23 x 10.5 - 12) 6-Ply - Wide Wheel Opt.	2	
BEARINGS				
	21-8180	BEARING ASM	2	
	251-259	BEARING-BALL	1	
	251-8	BEARING-BALL	1	
	254-94	BEARING-CONE, TAPERED	1	
	254-72	BEARING-CUP, TAPERED	1	
	24-8840	RING-RETAINING, WHEEL BEARING	1	
STARTER & ALTERNATORS				
	98-9705	STARTER (GM 3280D)	1	
	131-6557	ALTERNATOR (GM 3280D)	1	
OTHER				
	233-70	KNOB-STAR, FUEL TANK & CONTROL PANEL ASM		
	105-4320	SWITCH - FUEL TANK AND CONTROL PANEL ASM (GM 3280D)		

GROUNDMASTERS

GROUNDMASTER® 3000 / 3000D / 3280D / 3320



Cutting Unit Caster & Roller Parts

Ref. No.	Part No.	Description	Qty.	Sale Price
1	283-71	LYNCH PIN	2	
2	3-6781	THRUST WASHER	8	
3	94-1291	BUSHING - FLANGE	4	
4	302-5	FITTING - GREASE	2	
5	68-8900-01	CASTER FORK	2	
6	32153-6	LOCKNUT	2	
7	328-9	CAP SCREW	2	
8	3256-6	WASHER - FLAT	2	
9	68-8980	SPANNER	1	
10	62-5570	BEARING - ROLLER	1	
11	68-8930	WHEEL HALF - MALE	2	
12	68-8960	TIRE	1	
13	68-8950	INNER TUBE	2	
14	68-8920	WHEEL HALF - FEMALE	2	
15	68-8940	HUB - CENTER	2	
16	62-5580	BUSHING - FLANGE	2	
17	3219-2	NUT - HEX	8	
18	3253-4	WASHER - LOCK	8	
19	68-8970**	Caster Wheel MVP Kit (52" Side Discharge)	2	
*	95-3077**	Caster Wheel MVP Kit (2 Caster Wheels 68-8970)	A/R	
20	69-1510	SPACER	24	

*Not illustrated. **See pages 18-34 for Kit contents.

Cutting Unit Caster & Roller Parts - continued

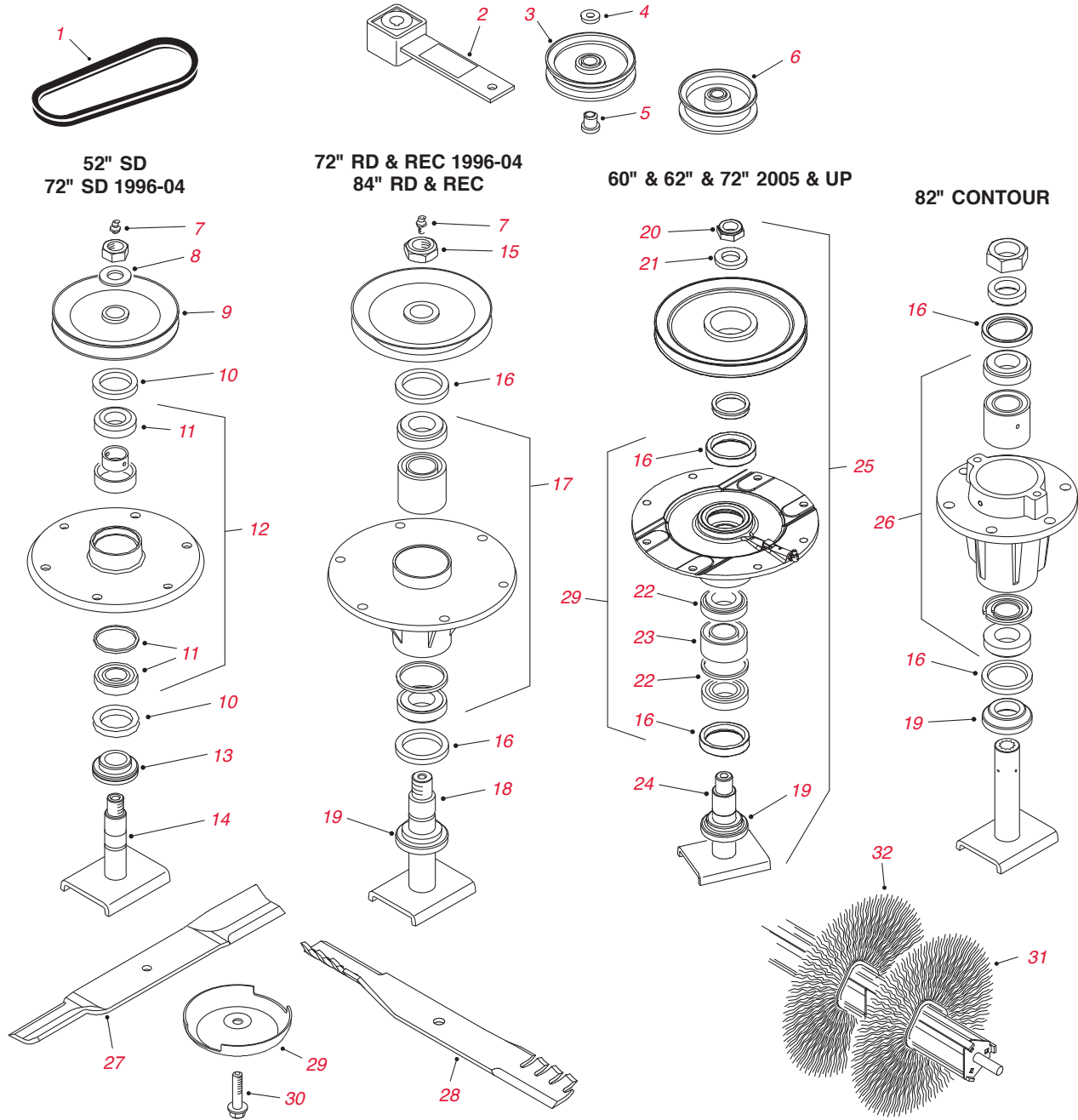
Ref. No.	Part No.	Description	Qty.	Sale Price
21	69-6860	WASHER - THRUST	8	
22	69-6470	BUSHING - FLANGE	8	
23	104-0762-01	CASTER FORK	2	
24	3296-53	NUT - HEX	1	
25	327-24	SCREW - HEX HD	1	
26	93-4237	ORDER 120-5378	1	
26	120-5378	BEARING	2	
27	93-4241	SPACER	1	
28	93-5980	HUB	1	
29	93-4239	RIM HALF	1	
30	93-4243	10" TIRE	1	
30	93-9939	8" TIRE	1	
31	93-4244	10" INNER TUBE	1	
31	68-8950	8" INNER TUBE	1	
32	95-2741	RIM HALF	1	
33	93-4242	PLATE	1	
34	32128-16	NUT - LOCK	4	
35	93-9938	8" PNEUMATIC WHEEL ASSEMBLY	2	
*	110-4767**	8" Caster Wheel MVP Kit (Incl #24, 25 & 35)	A/R	
35	93-4240	10" PNEUMATIC WHEEL ASSEMBLY	1	
36	27-1040	SPACER - 1/4"	2	
37	63-0070	SPACER - 1/2"	5	
38	93-4582	SHAFT - CASTER	2	
39	93-4696	PIN - SNAPPER	2	
40	93-4510	BUSHING - FLANGE	4	
41	93-4824	CASTER FORK	2	
42	93-4632	WASHER - WAVE	2	
43	93-4628	WASHER	2	
44	32120-84	RING - RETAINING	2	
45	33118-140	SCREW - HEX HD	2	
46	33028-00	NUT - HEX	2	
47	29-4820	ROLLER - SPHERICAL	2	
48	40-6400	SHAFT - DOUBLE SPHERICAL ROLLER	1	
49	57-0690	PIN	1	
50	3272-11	PIN - COTTER	3	
51	36-1740	ROLLER	1	
52	40-0340	SHAFT - ROLLER	1	
53	68-6710	ROLLER	1	
54	68-6840	SHAFT - ROLLER	1	
55	93-4803	ROLLER	2	
56	105-4549	SPANNER	2	
57	322-29	CAP SCREW	2	
58	104-8300	NUT - LOCK	2	
59	93-4747	GAGE WHEEL	2	
60	93-4764	SPANNER	2	
61	93-4806	BOLT - AXLE	2	
62	3296-19	NUT - HEX	2	
63	40-6400	ROLLER SHAFT	1	
64	68-2730	ORDER 1-603299	2	
64	1-603299	GAGE WHEEL	2	
65	98-7912	SPANNER	1	
66	98-7913	SPACER	2	
67	323-23	CAP SCREW	1	
68	32128-19	NUT - LOCK	1	
69	57-0680	ROLLER SHAFT	1	
70	92-9727	CAP ASSEMBLY - HEIGHT OF CUT	2	

*Not illustrated. **See pages 18-34 for Kit contents.

Prices subject to change without notice. NOTE: Please see your Parts Catalog or Master Parts Viewer to ensure ordering the correct part; the part needed may not be listed. **Not sold separately.

GROUNDMASTERS

GROUNDMASTER® 3000 / 3000D / 3280D / 3320



Cutting Unit Spindle & Spindle Drive Parts

Ref. No.	Part No.	Description	Qty.	Sale Price
1	27-1160	BELT - SPINDLE DRIVE (52" SD)	1	
1	93-8457	HEX BELT - SPINDLE DRIVE (72" SD & RD & GUARDIAN)	3	
1	93-4839	V-BELT - WING DECK (84" RD & GUARDIAN)	2	
1	93-4838	HEX BELT - CENTER DECK (84" RD & GUARDIAN)	1	
2	100-6178	IDLER ARM ASSEMBLY (52" SD/72" SD 1996-04)	1	
3	65-5940	IDLER PULLEY (52" SD/72" & 84" DECKS 1996-04)	1	
4	7-0081	WASHER (REQUIRED WITH 65-5940)	1	
5	65-5950	BUSHING (REQUIRED WITH 65-5940)	1	
6	69-5430-03	PULLEY - IDLER (FLAT - 84" DECKS)	1	

*Not illustrated. **See pages 18-34 for Kit contents.

Prices subject to change without notice. NOTE: Please see your Parts Catalog or Master Parts Viewer to ensure ordering the correct part; the part needed may not be listed. **Not sold separately.

Cutting Unit Spindle & Spindle Drive Parts - continued

Ref. No.	Part No.	Description	Qty.	Sale Price
7	302-2	FITTING - GREASE	1	
8	7-4150	WASHER	1	
9	27-0970-03	PULLEY - SPINDLE (52" SD)	1	
10	253-139	SPINDLE SEAL (52" SD)	6	
11	27-0960	SPINDLE BEARING (52" SD)	3	
12	46-8530	SPINDLE BEARINGS & SPACERS SET (52" SD)	3	
14	27-0920	SPINDLE SHAFT (52" SD)	3	
15	3296-49	NUT - LOCK (72" DECKS)	1	
16	253-154	SPINDLE SEAL	2	
17	71-2530	SPINDLE BEARINGS & SPACERS SET (72" RD & GUARDIAN REC)	1	
17	93-4825	SPINDLE BEARINGS & SPACERS SET (84" RD & GUARDIAN REC)	1	
18	85-6010	SPINDLE SHAFT (72" RD & GUARDIAN REC)	1	
19	92-9800	ORDER 69-6950	1	
19	69-6950	SPACER - SPINDLE SHAFT	1	
20	3296-60	NUT - LOCK	1	
21	104-8322	WASHER - HARDENED	1	
22	26-1830	ORDER 110-8297	1	
22	110-8297	SPINDLE BEARING (60"/62"/72" DECKS)	1	
23	104-3549	ORDER 120-5577	1	
23	120-5577	BEARING SPACER SET (62" & 72" RD & GUARDIAN REC)	1	
24	104-3554	SPINDLE SHAFT (62" & 72" RD & GUARDIAN REC)	1	
	108-1957**	ORDER 119-4778		
25	119-4778**	Deck Spindle MVP Kit (Side Discharge)	A/R	
	104-3532**	ORDER 119-4776		
25	119-4776**	Deck Spindle MVP Kit (Rear Discharge & Guardian Recycler)	A/R	
26	93-4825	SPINDLE BEARINGS & SPACERS SET	1	
29	72-9361	CUP - ANTI-SCALP (ALL BUT 82" CONTOUR)	3	
30	92-5816	BLADE BOLT	3	
31	94-7372	BRUSH ELEMENT - POLY	32	
32	95-5942	BRUSH ELEMENT - WIRE	32	
27	27-0990-03	STANDARD BLADE - 18" (52" SD)	3	
27	44-5480	HIGH SAIL BLADE - 18" (52" SD)	3	
27	110-4701	STANDARD BLADE - 20.5" (60" SD)	3	
*	110-4770**	Medium Sail Blade & Belt MVP Kit (60" Side Discharge)	A/R	
27	110-4702-03	HIGH SAIL BLADE - 20.5" (60" SD)	3	
27	92-5608-03	STANDARD BLADE - 21.75" (62" RD & GUARDIAN REC)	3	
*	110-4768**	Standard Blade & Belt MVP Kit (62" RD & Guardian Recycler)	A/R	
27	104-4569-03	STANDARD BLADE - 25" (72" SD 1996-04)	3	
27	110-0621-03	STANDARD BLADE - 24.5" (72" SD 2005 & UP)	3	
*	110-4771**	Medium Sail Blade & Belt MVP Kit (72" Side Discharge)	A/R	
27	110-0622-03	HIGH SAIL BLADE -25" (72" SD 2005 & UP)	3	
27	93-4982	STANDARD BLADE - 25" (72" RD 1996-04)	3	
27	85-6040-03	STANDARD BLADE - 25" (72" GUARDIAN REC 1996-04)	3	
	108-1958-03	ORDER 121-5347-03	3	
27	121-5347-03	STANDARD BLADE - 25" (72" RD & GUARDIAN REC 2005 & UP)		
*	110-4769**	Standard Blade & Belt MVP Kit (72" RD & Guardian Recycler)	A/R	
27	93-8409	STANDARD BLADE - 22" (82" CONTOUR)	5	
27	86-0010-03	STANDARD BLADE - 19" (84" RD & GUARDIAN REC)	5	
28	104-1301	ATOMIC BLADE - 18" (52" SD)	3	
*	108-1477	Blade Service Pack (6 BLADES 104-1301)	1	
28	110-4703-03	ATOMIC BLADE - 20.5" (60" SD)	3	
28	104-1303	ATOMIC BLADE - 21.75" (62" RD & GUARDIAN REC)	3	
*	106-0631	Blade Service Pack (6 BLADES 104-1303)	1	
28	110-0624-03	ATOMIC BLADE - 24.5" (72" SD 2005 & UP)	3	
28	106-4353-03	ATOMIC BLADE - 25" (72" RD & GUARDIAN REC)	3	
*	108-1454	Blade Service Pack (6 BLADES 106-4353-03)	1	
29	104-3552	ORDER 119-4546	1	
29	119-4546	SPINDLE HOUSING ASSEMBLY	1	
*	108-1370	GEARBOX REPLACEMENT KIT (3320/3280)	1	

*Not illustrated. **See pages 18-34 for Kit contents.

Prices subject to change without notice. NOTE: Please see your Parts Catalog or Master Parts Viewer to ensure ordering the correct part; the part needed may not be listed. **Not sold separately.

GROUNDMASTERS

GROUNDMASTER® 3500D / 3505D / 4000D / 4100D / 4500D / 4700D

Traction Unit Parts

Part No.	Description	Qty.	Sale Price
FILTERS			
99-8384	ORDER 108-3841	1	
104-5167	ORDER 108-3841	1	
108-3841	FILTER - ENGINE OIL	1	
98-7431	ORDER 104-5169	1	
104-5169	FILTER - ENGINE OIL (2001-08 - TURBO KUBOTA)	1	
115-8527	ORDER 104-5169	1	
98-9763	ORDER 108-3810	1	
108-3810	AIR FILTER ELEMENT (GM 3500D 2000-04)	1	
108-3816	ELEMENT - AIR CLEANER INNER	1	
108-3814	ELEMENT - AIR CLEANER OUTER	1	
98-7612	FILTER - FUEL, PLASTIC	1	
108-3828	FILTER - FUEL, METAL	1	
98-9764	ELEMENT - SEPARATOR (2001-2007)	1	
110-9049	ELEMENT - SEPARATOR (2008 & UP)	1	
112-9140	BIO-DIESEL FUEL FILTER KIT	1	
112-8400	BIO-DIESEL FUEL PUMP KIT	1	
112-7836	IN-LINE FUEL FILTER (BIO-DIESEL KIT)	1	
110-9015	ELEMENT - SEPARATOR (BIO-DIESEL KIT)	1	
54-0110	FILTER - HYDROSTATIC TRANSMISSION (GM 3500D 2000-01)	1	
86-3010	FILTER - HYDROSTATIC TRANSMISSION	1	
94-2621	FILTER - HYDRAULIC (MANIFOLD)	1	
75-1310	FILTER - HYDRAULIC (PUMP)	1	
98-9493	ELEMENT - BREATHER (GM 3500D/3505D)	1	
98-7419	ELEMENT - BREATHER (GM 4000D/4100D/4500D/4700D)	1	
30027**	400 Hour Filter MVP Kit (GM 3500D/3505D - 2002-07)	A/R	
30058**	400 Hour Filter MVP Kit (GM 3500D/3505D - 2008 -2012)	A/R	
30090**	400 Hour Filter MVP Kit (GM 3500D 2012 & Up)	A/R	
30029**	400 Hour Filter MVP Kit (GM 4000D/4100D/4500D/4700D - 2001-07)	A/R	
30056**	400 Hour Filter MVP Kit (GM 4000D/4100D/4500D/4700D 2008 - 2012)	A/R	
30089**	800 Hour Filter MVP Kit (T4i)	A/R	
30408**	800 Hour Filter MVP Kit (T4F)	A/R	
BELTS			
98-9676	V-BELT - ALTERNATOR DRIVE (GM 3500D/3505D)	1	
99-3619	V-BELT - HYDROSTAT DRIVE (GM 3500D/3505D)	1	
98-7705	V-BELT - ALTERNATOR DRIVE (GM 4000D/4100D/4500D/4700D)	1	
TIRES			
104-0451	ORDER 117-5125	2	
117-5125	TIRE - FRONT (20 X 12 - 10) 4-PLY TURF-TRAC (3500D)	2	
99-5434	TIRE - FRONT (26 X 12 - 12) 6-PLY MULTI-TRAC (4000D/4100D)	2	
100-6700	ORDER 95-3465	2	
95-3465	TIRE - FRONT (29 X 124- 15) 6-PLY ULTRA-TRAC (4500D/4700D)	2	
95-8656	ORDER 115-1572	2	
115-1572	TIRE - REAR (20 X 10 - 10) 4-PLY TURF-TRAC (3500D)	2	
94-5236	TIRE - REAR (20 X 10 - 10) 6-PLY MULTI-TRAC (4000D/4100D)	2	
104-0451	ORDER 117-5125	2	
117-5125	TIRE - REAR (20 X 12 - 10) 4-PLY TURF-TRAC (4500D/4700D)	2	
STARTER & ALTERNATORS			
98-9705	STARTER (GM 3500D/3505D)	1	
100-9237	STARTER (GM 4000D/4100D/4500D/4700D)	1	
131-6557	ALTERNATOR (GM 3500D/3505D)	1	
98-7693	ALTERNATOR (GM 4000D/4100D/4500D/4700D)	1	
117-5541	ALTERNATOR - 60 AMP (4000D)	1	

*Not illustrated. **See pages 18-34 for Kit contents.

Prices subject to change without notice. NOTE: Please see your Parts Catalog or Master Parts Viewer to ensure ordering the correct part; the part needed may not be listed. **Not sold separately.

Traction Unit Parts - continued

Part No.	Description	Qty.	Sale Price
HYDRAULIC MOTOR			
117-5141	MOTOR - HYDRAULIC (GM 3500 /3505/4500/4700)	1	
110-8785	MOTOR - HYDRAULIC CCW (GM 3500/3505)	1	
110-8786	MOTOR - HYDRAULIC CW (GM 3500/3505)	1	
112-9916	HYDRAULIC CYLINDER ASM (GM 3500/3505)	1	
104-4890	PISTON PUMP ASM - HYDROSTAT (GM 3500/3505)	1	
117-5135	RADIATOR ASM (GM 3500D/3505D 2000-2013)	1	
121-7856	STEERING ARM ASM (GM 3500G)	1	
104-4840	TANK-HYD, HYDRAULIC TANK ASM	1	
105-1214	HOSE-HYD, HYDROSTAT ASM (GM 3500D/3505D)	1	
69-4320	FITTING-HYD, 90 DEG (GM 3500D/3505D)	1	
125-1984	SPACER, HYDRAULIC MOW CIRCUIT ASM	5	
OTHER			
104-0462	HUB WHEEL - SPACER (GM3500D/3500G)	1	
117-5129	REAR FORK AND TIRE ASM (GM 3500 2010 & UP)	1	
70-9870	PLATE-BACKING	1	
104-4809	DRUM-BRAKE	1	
107-7828	REAR CASTING ASM (GM 3500/3505)	1	
95-8783	TUBE ASM, FRONT WHEEL & BRAKE ASM (GM 3500D/3505D)	1	
95-8784	TUBE ASM, FRONT WHEEL & BRAKE ASM (GM 3500D/3505D)	2	
87-3470	BUMPER (GM 4500D/4700D)	1	
117-5115	HUB & BEARING ASM (GM 3505D)	1	
104-4817	LEVER-BRAKE (GM 3500D/3505D)	1	
104-0485-03	SHIELD-WHEEL (GM 3500D/3505D)	1	
3274-99	SCREW-HSH, FRONT WHEEL & BRAKE ASM	1	
100-4929	SLOPE INDICATOR ASM (GM 3500)	1	
106-4154	FLOORPLATE ASM (GM 3500/3505)	1	
104-4852-03	PEDAL-TRACTION, TRACTION PEDAL ASM (GM 3500/3505)	1	
95-8990	SHAFT-PIVOT REAR, REAR LIFT ARM ASM (GM 3500/3505)	1	
108-0638	BOTTLE-OVERFLOW (GM 3500D/3505D)	1	
99-3623-03	ARM-IDLER (GM 3500)	1	
233-70	KNOB-STAR, FUEL TANK & COTNROL PANEL ASM	1	
99-3478	TREAD-FOOT, (GM 3500D/3505D), FRONT PLATFORM ASM	1	
95-8689	SINGLE SPOOL CONTROL VALVE ASM (GM 3505D)	1	
95-8575	PIN, CARRIER ASM (GM 3500/3505)	5	
104-0422	NEUTRAL ARM ASM (GM 3500/3505)	1	

*Not illustrated. **See pages 18-34 for Kit contents.

Prices subject to change without notice. NOTE: Please see your Parts Catalog or Master Parts Viewer to ensure ordering the correct part; the part needed may not be listed. **Not sold separately.

GROUNDMASTERS

TIER 4 MODELS 30849 / 30609 / 30607 / 30881 / 30882

Traction Unit Parts

Part No.	Description	Qty.	Sale Price
FILTERS			
108-3811	FILTER-AIR (GM 3505D)	1	
110-9049	FILTER-SPIN ON (GM 3505D)	1	
86-3010	FILTER-OIL (GM 3505D)	1	
30408**	800-Hour MVP Kit, GM 4000/4100/4500/4700 (2013 & Up)	A/R	
108-3814	FILTER-AIR (GM 4000D/4010D/4100D/4110D/4500D/4700D)	1	
108-3816	FILTER-AIR (GM 4000D/4010D/4100D/4110D/4500D/4700D)	1	
125-7025	FILTER (GM 4000D/4010D/4100D/4110D/4500D/4700D)	1	
125-2915	FILTER-SPIN ON (GM 4000D/4010D/4100D/4110D/4500D/4700D)	1	
125-8752	FILTER-FUEL (GM 4000D/4010D/4100D/4110D/4500D/4700D)	1	
127-3075	FILTER ASM (GM 4000D/4010D/4100D/4110D/4500D/4700D)	1	
75-1310	FILTER-HYD (GM 4000D/4010D/4100D/4110D/4500D/4700D)	1	
94-2621	ELEMENT-FILTER (GM 4000D/4010D/4100D/4110D/4500D/4700D)	1	
125-2914	SEPARATOR FILTER ASM (GM 4000D/4010D/4100D/4110D/4500D/4700D)	1	
BELTS			
104-3494	V-BELT (GM 3505D)	1	
120-3351	3V-BELT (GM 3505D)	1	
108-8076	V-BELT, DECK (GM 4000D/4010D)	1	
127-2998	V-BELT (GM 4000D/4010D/4500D/4700D)	1	
108-8077	V-BELT, DECK (GM 4100D/4110D)	1	
127-2998	V-BELT (GM 4100D/4110D)	1	
BEARINGS			
112-5290	BEARING-STEEL, STAINLESS (GM 3505D)	1	
120-3366	BEARING (GM 3505D)	1	
251-259	BEARING-BALL (GM 3505D)	1	
251-259	BEARING-BALL (GM 3505D)	1	
254-94	BEARING-CONE, TAPERED (GM 3505D)	1	
254-72	BEARING-CUP, TAPERED (GM 3505D)	1	
105-8118	Bearing-Cone (GM 4000D/4010D/4100D/4110D/4500D/4700D)	1	
105-8120	Bearing-Cone (GM 4000D/4010D/4100D/4110D/4500D/4700D)	1	
110-8297	BEARING ASM (GM 4000D/4010D/4100D/4110D)	1	
120-3366	BEARING (GM 4000D/4010D/4100D/4110D/4500D/4700D)	1	
125-5279	BEARING-ROLLER (GM 4000D/4010D/4100D/4110D/4500D/4700D)	1	
125-7249	BEARING, BALL (GM 4000D/4010D/4100D/4110D/4500D/4700D)	1	
125-7251	BEARING-BALL (GM 4000D/4010D/4100D/4110D/4500D/4700D)	1	
125-7252	BEARING-BALL (GM 4000D/4010D/4100D/4110D/4500D/4700D)	1	
125-7253	BEARING-BALL (GM 4000D/4010D/4100D/4110D/4500D/4700D)	1	
127-2958	BEARING-BALL (GM 4000D/4010D/4100D/4110D/4500D/4700D)	1	
127-2983	BEARING-BALL (GM 4000D/4010D/4100D/4110D/4500D/4700D)	1	
119-8558	BEARING-BALL (GM 4000D/4010D/4100D/4110D/4500D/4700D)	1	
99-7532	BEARING-ROLLER, TAPER (GM 4000D/4010D/4100D/4110D/4500D/4700D)	1	
99-7534	BEARING-BALL (GM 4000D/4010D/4100D/4110D/4500D/4700D)	1	
93-7775	BEARING-BALL (GM 4000D/4010D/4100D/4110D/4500D/4700D)	1	
99-7570	BEARING-ROLLER, TAPER (GM 4000D/4010D/4100D/4110D/4500D/4700D)	1	
105-7441	BEARING-SPHERICAL (GM 4100D/4110D)	1	
112-5290	BEARING-STEEL, STAINLESS (GM 4500D/4700D)	1	
TIRES			
115-1572	TIRE-REAR (20 X 10 - 10) 4-PLY TURF-TRAC(GM 3505D/4500D/4700D)	2	
119-8313	TIRE (GM 4000D/4010D/4100D/4110D)	2	
120-8910	TIRE-OFF ROAD (GM 4000D/4010D/4100D/4110D)	2	
93-9939	TIRE (GM 4000D/4010D/4100D/4110D)	2	
119-0023	TIRE (GM4500D/4700D)	2	

*Not illustrated. **See pages 18-34 for Kit contents.

Prices subject to change without notice. NOTE: Please see your Parts Catalog or Master Parts Viewer to ensure ordering the correct part; the part needed may not be listed. **Not sold separately.

Traction Unit Parts - continued

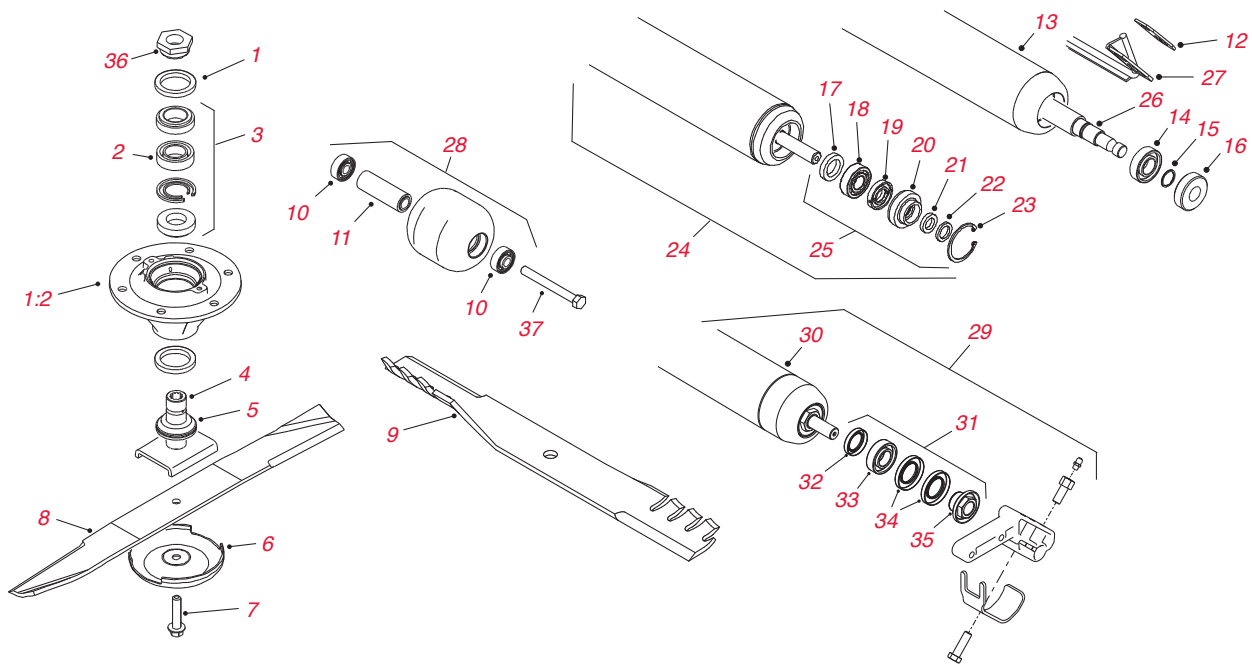
Part No.	Description	Qty.	Sale Price
STARTER & ALTERNATORS			
131-6557	ALTERNATOR ASM (GM 3505D)	1	
98-9705	STARTER ASM (GM 3505D)	1	
125-7003	STARTER (GM 4000D/4010D/4100D/4110D/4500D/4700D)	1	
117-5135	RADIATOR ASM (GM 3500D/3505D 2000-2013)	1	
127-3694	GEAR MOTOR ASM (GM 4000D/4100D/4010D/4110D)	1	
104-4890	PISTON PUMP ASM - HYDROSTAT (GM 3500/3505)	1	
SEAT			
104-4620	SEAT-STD	1	
92-8991	ADJUSTER - SEAT	1	
OTHER			
115-5305	CAP-FUEL (GM 4000D/4010D/4100D)	1	
108-0638	BOTTLE-OVERFLOW (GM 3500D/3505D)	1	
104-0462	HUB WHEEL - SPACER (GM3500D)	1	
95-8905-01	FORK - REAR (GM 3500D/3505D)	1	
3274-105	SCREW-HSBH, FRONT WHEEL & BRAKE ASM (GR3500D)	1	
107-7828	REAR CASTING ASM (GM 3500/3505)	1	
100-4815	CABLE-CONTROL, TRACTION (GM 3500D/3500G/3505)	1	

*Not illustrated. **See pages 18-34 for Kit contents.

Prices subject to change without notice. NOTE: Please see your Parts Catalog or Master Parts Viewer to ensure ordering the correct part; the part needed may not be listed. **Not sold separately.

GROUNDMASTERS

GROUNDMASTER® 3500D / 3505D / 4000D / 4100D / 4500D / 4700D



27" Cutting Unit Parts

Ref. No.	Part No.	Description	Qty.	Sale Price
*	115-3435	SPINDLE ASM	1	
1	253-154	SPINDLE SEAL	2	
1:2	115-3434	SPINDLE	1	
2	100-5704	BEARING SPACER SET	1	
3	100-5703	SPINDLE BEARINGS & SPACERS SET	1	
4	100-5705	SPINDLE SHAFT	1	
5	69-6950	SPINDLE SPACER	1	
*	115-3435	Spindle Kit		
6	72-9361	CUP - ANTI-SCALP	1	
7	92-5816	BOLT - BLADE	1	
8	100-5754-03	ORDER 105-9810-03	1	
8	105-9810-03	STANDARD BLADE - 27" (2000-05)	1	
8	105-4089	ORDER 104-5183	1	
8	104-5183	HIGH SAIL BLADE - 27" (2000-05)	1	
8	108-9026-03	COMBINATION BLADE - 27" (2006 & UP)	1	
9	107-0235-03	ATOMIC BLADE - 27" (2006 & UP)	1	
*	108-1463	Blade Service Pack (5 Blades 107-0235-03)	1	
*	108-1462	Blade Service Pack (6 Blades 107-0235-03)	1	
*	108-1464	Blade Service Pack (7 Blades 107-0235-03)	1	
10	108-9017	ORDER 120-3366	2	
10	115-1580	ORDER 120-3366	2	
10	120-3366	BEARING (STAINLESS STEEL)	2	
11	100-5762	SPANNER	1	
12	105-1230	PLATE - SCRAPER (2000-03)	2	
13	105-6771-03	ORDER 112-5291	1	
13	105-9884-03	ORDER 112-5291	1	
	112-5291	ROLLER TUBE ASSEMBLY		
*	107-1595**	Roller Rebuild MVP Kit (Bearings 251-347 - 2000-03)	A/R	
14	251-347	BEARING	2	
15	104-4212	RING - RETAINING	2	

*Not illustrated. **See pages 18-34 for Kit contents.

27" Cutting Unit Parts - continued

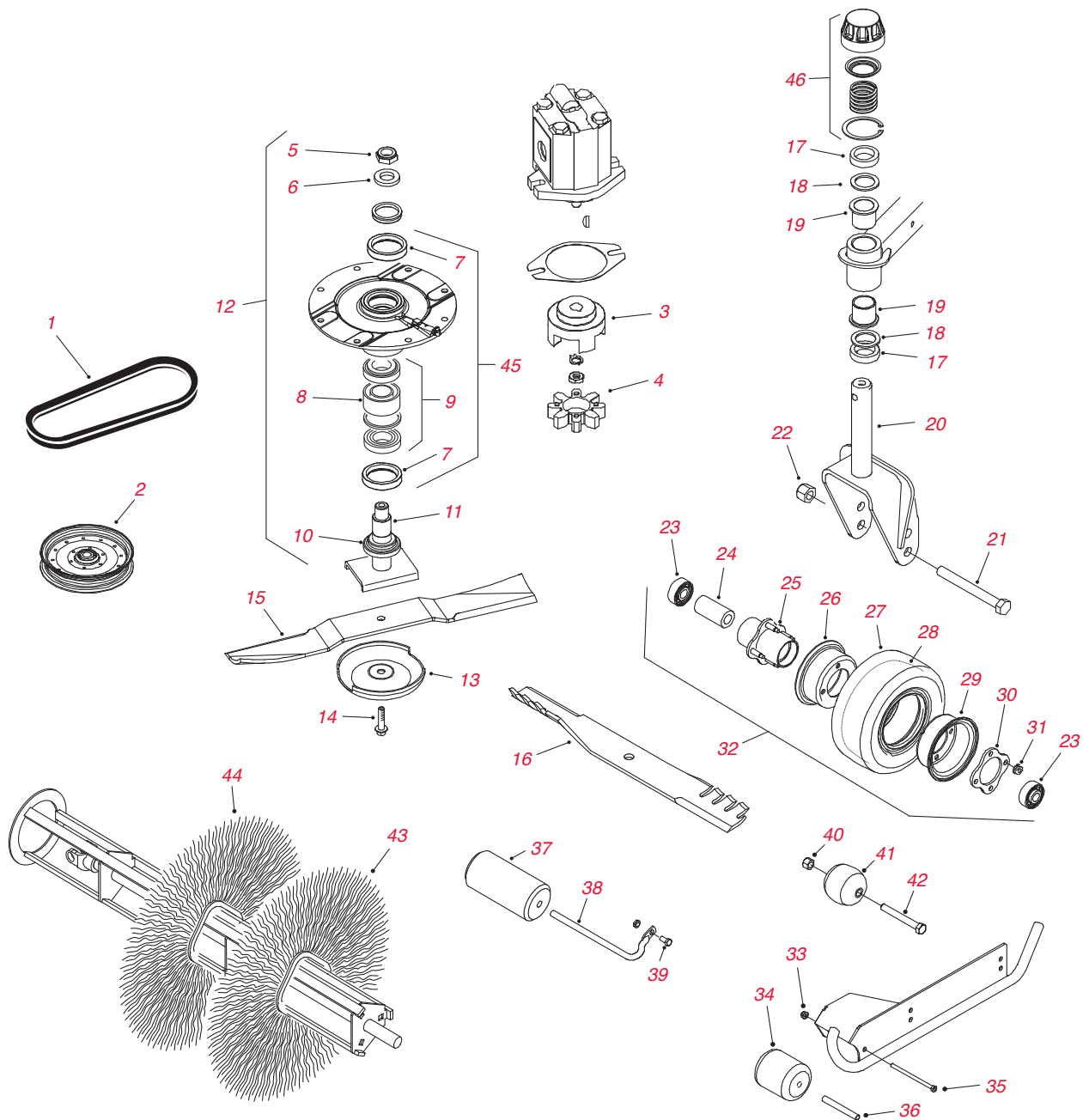
Ref. No.	Part No.	Description	Qty.	Sale Price
16	99-3842	SEAL - OIL	2	
17	93-3007	SEAL - OIL	2	
18	109966	BEARING	2	
19	93-1251	SEAL - INNER	2	
20	93-1252	SEAL - OUTER	2	
21	253-70	SEAL - OIL	2	
22	93-2931	WASHER	2	
23	32120-62	RING - RETAINING	2	
24	107-1996	ORDER 112-5291	1	
25	106-9606**	Roller Rebuild MVP Kit (Bearings 109966 - 2003-07)	A/R	
26	104-9480	SHAFT - ROLLER	1	
27	104-9492-03	ROLLER SCRAPER	1	
28	104-1092	ORDER 115-3418	2	
28	115-3418	ROLLER ASSEMBLY (INCL #10 & 11)	2	
29	112-5291	ROLLER & BRACKET KIT	1	
30	112-5265	ROLLER ASSEMBLY (2007 & UP)	1	
31	114-5430**	Roller Rebuild MVP Kit (Bearings 112-5290 - 2007 & Up)	A/R	
32	114-3717	SEAL - INNER	1	
33	112-5290	BEARING - STAINLESS STEEL	1	
34	112-7494	SEAL - OUTER	2	
35	114-5411	NUT - BEARING LOCK	1	
36	100-5709	NUT - SPINDLE	1	
37	327-15	SCREW - HEX HD.	2	
*	121-3575	SPACER-HOC	1	
*	105-9225	PLATE ASM - HOC	1	
*	115-3466	RH SHORT LIFT ARM ASM (GM 3505)	1	
*	100-5799	SHIM-HOC, 060 (HEIGHT OF CUT ASM)	18	

*Not illustrated. **See pages 18-34 for Kit contents.

Prices subject to change without notice. NOTE: Please see your Parts Catalog or Master Parts Viewer to ensure ordering the correct part; the part needed may not be listed. **Not sold separately.

GROUNDMASTERS

GROUNDMASTER® 4000D / 4100D



Cutting Unit Parts

Ref. No.	Part No.	Description	Qty.	Sale Price
1	55-7660	V-BELT - SPINDLE DRIVE (GM 4000D)	1	
2	99-5493	PULLEY - IDLER	4	
3	104-3541	HUB - SPIDER	1	
4	104-3542	SPIDER	1	
5	3296-60	NUT - LOCK	1	
6	104-8322	WASHER - HARDENED	1	
7	253-154	SPINDLE SEAL	2	
8	104-3549	ORDER 120-5577	1	
	120-5577	BEARING SPACER SET		
9	26-1830	ORDER 110-8297	1	
9	110-8297	SPINDLE BEARINGS & SPACERS SET	1	
10	104-3554	SPINDLE SHAFT	1	

*Not illustrated. **See pages 18-34 for Kit contents.

Cutting Unit Parts - continued

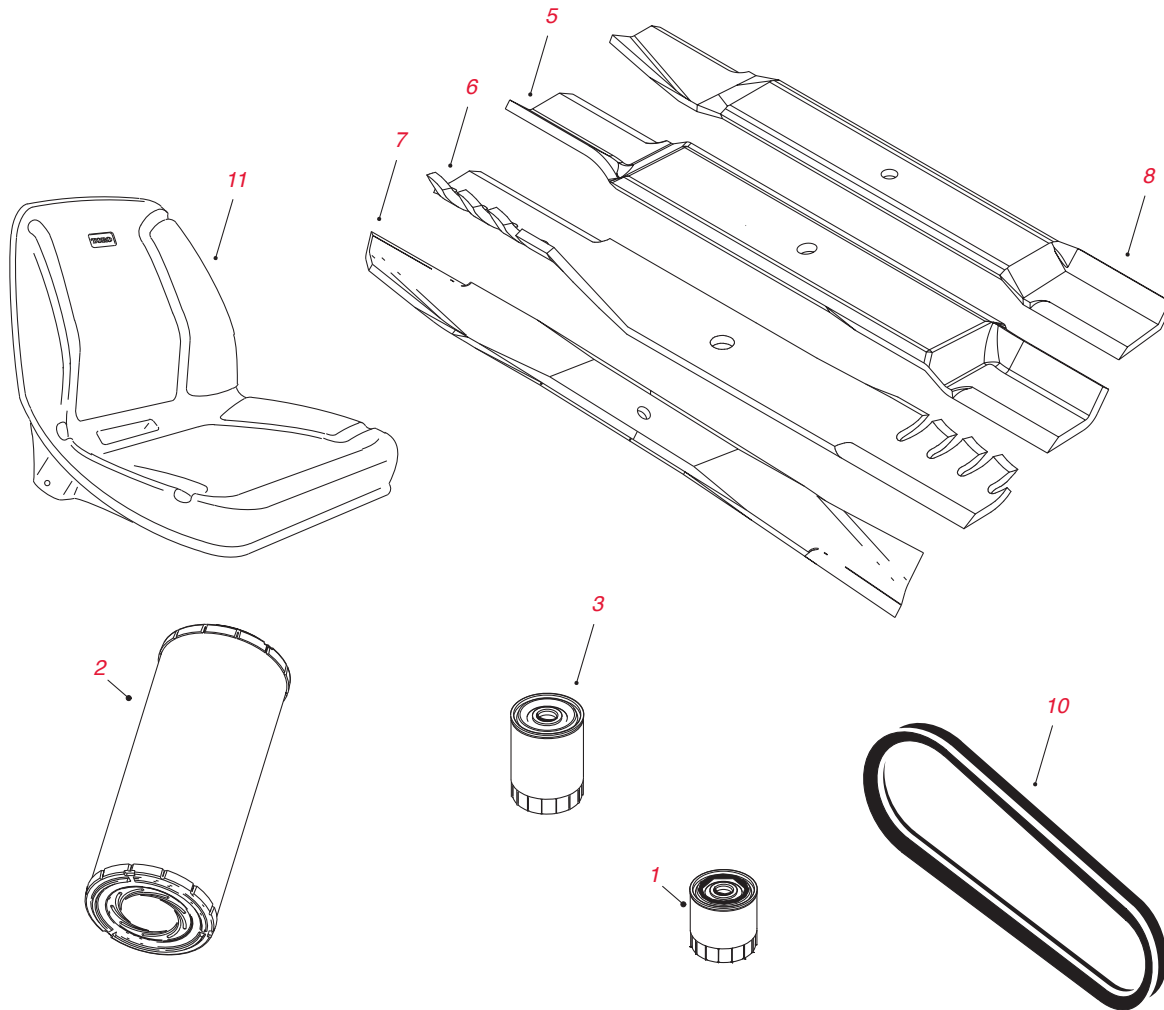
Ref. No.	Part No.	Description	Qty.	Sale Price
11	92-9800	ORDER 69-6950	1	
11	69-6950	SPACER - SPINDLE	1	
*	104-3532**	ORDER 119-4776		
*	119-4776**	Deck Spindle MVP Kit (Rear Discharge & Guardian Recycler)	A/R	
*	104-3530	ORDER 119-4548		
12	119-4548	SPINDLE ASSEMBLY (DOUBLE DRIVEN)	1	
*	104-3531	ORDER 119-4549		
12	119-4549	SPINDLE ASSEMBLY (HIGH DRIVEN)	1	
13	72-9361	CUP ANTI-SCALP	1	
14	92-5816	BOLT - BLADE	3	
15	92-5608-03	STANDARD BLADE - 21.75" (132" DECK - GM 4000D)	3	
*	117-2722	Blade Service Pack (7 Blades 92-5608-03)	1	
15	106-7166-03	STANDARD BLADE - 19" (124" DECK - GM 4100D)	3	
15	110-6115-03	FLAT SAIL BLADE - 21.75" (132" DECK - GM 4000D)	3	
*	110-6130	Blade Service Pack (7 Blades 110-6115-03)	1	
15	110-6116-03	FLAT SAIL BLADE - 19" (124" DECK - GM 4100D)	3	
*	110-6140	Blade Service Pack (7 Blades 110-6116-03)	1	
16	107-0214-03	ATOMIC BLADE - 21.75" (132" DECK - GM 4000D)	7	
*	108-1450	Blade Service Pack (7 Blades 107-0214-03)	1	
16	107-0215-03	ATOMIC BLADE - 19" (124" DECK - GM 4100D)	7	
*	108-1451	Blade Service Pack (7 Blades 107-0215-03)	1	
17	69-1510	SPACER	24	
18	69-6860	WASHER - THRUST	8	
19	104-8340	ORDER 69-6470	8	
19	69-6470	BUSHING - FLANGE	8	
20	104-0762-01	CASTER FORK ASSEMBLY (GM 4000D)	1	
21	327-24	SCREW - HEX HD	1	
22	3296-53	NUT - HEX	1	
23	93-4237	ORDER 120-5378	1	
23	120-5378	BEARING	2	
24	93-4241	SPACER	1	
25	93-5980	HUB	1	
26	93-4239	RIM HALF	1	
27	93-9939	8" TIRE	1	
28	68-8950	8" INNER TUBE	1	
29	95-2741	RIM HALF	1	
30	93-4242	PLATE	1	
31	32128-16	NUT - LOCK	4	
32	93-9938	8" WHEEL ASSEMBLY	1	
32	93-5974	8" FOAM FILLED WHEEL ASSEMBLY (OPTIONAL)	1	
*	3274-105	SCREW-HSBH, FRONT WHEEL & BRAKE ASM	1	
33	104-8300	NUT - FLANGE	1	
34	93-4803	ROLLER - CENTER DECK (GM 4000D)	1	
35	322-29	SCREW - HEX HD	1	
36	105-4549	SPANNER	1	
37	68-6710	ROLLER - CENTER DECK (GM 4100D)	1	
38	68-6840	SHAFT - ROLLER	1	
39	3234-11	SCREW - HEX FLANGE HD	1	
40	3296-25	NUT - HEX	6	
41	29-4820	ROLLER	6	
42	325-17	SCREW - HEX HD	6	
43	94-7372	BRUSH ELEMENT - POLY	32	
44	95-5942	BRUSH ELEMENT - WIRE	32	
45	104-3552	ORDER 119-4546	1	
45	119-4546	SPINDLE HOUSING ASSEMBLY	1	
46	92-9727	CAP ASSEMBLY - HEIGHT OF CUT	2	

*Not illustrated. **See pages 18-34 for Kit contents.

Prices subject to change without notice. NOTE: Please see your Parts Catalog or Master Parts Viewer to ensure ordering the correct part; the part needed may not be listed. **Not sold separately.

GROUNDMASTERS

GROUNDMASTER® 4300D



Traction and Cutting Unit Parts

Ref. No.	Part No.	Description	Qty.	Sale Price
1	94-2621	HYDRAULIC OIL FILTER (TANK)	1	
1	86-3010	HYDRAULIC OIL FILTER (PUMP)	1	
2	108-3812	AIR FILTER	1	
3	110-9049	FUEL FILTER (SPIN-ON)	1	
4	108-3841	ENGINE OIL FILTER	1	
*	30055**	400 Hour Filter Mvp Kit (2008-2012)	A/R	
*	30093**	800 Hour Filter Mvp Kit (2013 & Up)	A/R	
5	114-0434-03	22" HIGH LIFT BLADE	A/R	
6	114-0435-03	22" ATOMIC BLADE	A/R	
7	117-0209-03	22" ANGLE SAIL BLADE	A/R	
8	108-7395-03	22" COMBO BLADE	A/R	
*	119-6957	Service Pack - Combo Blade (5X #108-7395-03)	A/R	
*	115-3435	SPINDLE ASM	1	
*	105-9225	PLATE ASM - HOC		
*	117-0297	SECTIONAL ROLLER ASSEMBLY	A/R	
10	98-9676	V-BELT (FAN AND ALTERNATOR)	1	
11	104-4620	SEAT	1	

*Not illustrated. **See pages 18-34 for Kit contents.

Traction and Cutting Unit Parts - continued

Ref. No.	Part No.	Description	Qty.	Sale Price
*	92-8991	ADJUSTER - SEAT ASM	1	
*	108-0638	BOTTLE-OVERFLOW	1	
*	117-0172	SCREW-HH	1	
*	87-3470	BUMPER	1	
*	115-3434	SPINDLE	1	
*	115-3435	SPINDLE ASM	1	
*	125-2011	PLATE ASM-HOC	1	

*Not illustrated. **See pages 18-34 for Kit contents.

Prices subject to change without notice. NOTE: Please see your Parts Catalog or Master Parts Viewer to ensure ordering the correct part; the part needed may not be listed. **Not sold separately.

GROUNDMASTERS

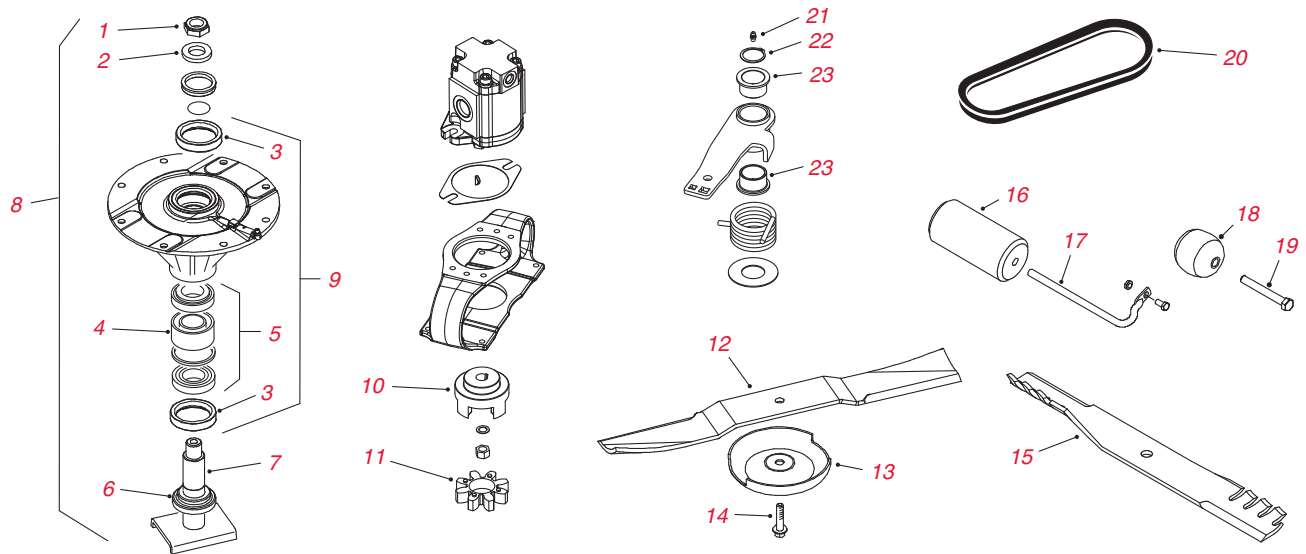
GROUNDMASTER® 5900D / 5910

Traction Unit Parts

	Part No.	Description	Qty.	Sale Price
FILTERS				
	130-8860	ELEMENT - ENGINE OIL FILTER	1	
	115-8877	ELEMENT - AIR FILTER (INNER)	1	
	115-8887	ELEMENT - AIR FILTER (OUTER)	1	
	115-5471	ELEMENT - FUEL/WATER SEPARATOR	1	
	115-8867	ORDER 117-2792	1	
	117-2792	ELEMENT - FUEL FILTER	1	
	86-6110	ELEMENT - HYDRAULIC OIL FILTER (MAIN)	1	
	75-1310	ELEMENT - HYDRAULIC OIL FILTER (PTO)	1	
	30041**	400 Hour Filter MVP Kit	A/R	
TIRES				
	114-4861	TIRE - FRONT (29 X 12.5- 15) 10-PLY MULTI-TRAC	2	
	112-7305	ORDER 117-2901		
	117-2901	TIRE - REAR (23 X 10.5- 12) 6-PLY MULTI-TRAC	2	
	93-4243	TIRE	10	
BEARINGS				
	See Quick Reference Guide for detailed information on bearing replacements for this model. Page 36-45.			
	93-4237	ORDER 120-5378		
	120-5378	BEARING	20	
STARTER & ALTERNATORS/OTHER				
	115-8861	STARTER ASSEMBLY	1	
	115-8850	ORDER 117-5419	1	
	117-5419	ALTERNATOR ASSEMBLY	1	

*Not illustrated. **See pages 18-34 for Kit contents.

Prices subject to change without notice. NOTE: Please see your Parts Catalog or Master Parts Viewer to ensure ordering the correct part; the part needed may not be listed. **Not sold separately.



Cutting Unit Parts

Ref. No.	Part No.	Description	Qty.	Sale Price
1	3296-60	NUT - HEX	1	
2	104-8322	WASHER - HARDENED	1	
3	253-154	SEAL-OIL	2	
4	104-3549	ORDER 120-5577	1	
4	120-5577	SPACER SET	1	
5	110-8297	BEARING KIT (MATCHED SET)	1	
6	69-6950	SPACER - SPINDLE SHAFT	1	
7	104-3554	SHAFT - SPINDLE	1	
	104-3530	ORDER 119-4548		
8	119-4548	SPINDLE ASSEMBLY - DOUBLE DRIVEN	1	
	104-3531	ORDER 119-4549		
8	119-4549	SPINDLE ASSEMBLY - HIGH DRIVEN	1	
9	104-3552	ORDER 119-4546	1	
9	119-4546	SPINDLE HOUSING ASSEMBLY	1	
10	104-3541	HUB-SPIDER	3	
11	104-3542	SPIDER	3	
12	110-5946-03	STANDARD BLADE - 20"	1	
*	115-8896	Blade Service Pack (11 Blades 110-5946-03)	1	
13	72-9361	CUP - ANTI SCALP	1	
14	92-5816	BOLT - BLADE	1	
15	110-5948-03	ATOMIC BLADE - 20"	1	
*	114-0897	Blade Service Pack (11 Blades 110-5948-03)	1	
16	68-6710	ROLLER	1	
17	68-6840	SHAFT - ROLLER	1	
18	29-4820	ROLLER	6	
19	325-17	SCREW - HEX HD	6	
20	112-7376	V-BELT - CENTER DECK SPINDLE DRIVE	1	
20	112-7377	V-BELT - CENTER & WING DECK SPINDLE DRIVE	6	
21	302-5	FITTING GREASE	2	
22	32120-84	RING - RETAINING (EXTERNAL)	8	
23	93-4510	BUSHING - FLANGE	14	
*	115-8898**	Standard Blade & Belt MVP Kit (Center & Wing Decks)	A/R	

*Not illustrated. **See pages 18-34 for Kit contents.

GROUNDMASTERS

GROUNDMASTER® 7200 / 7210

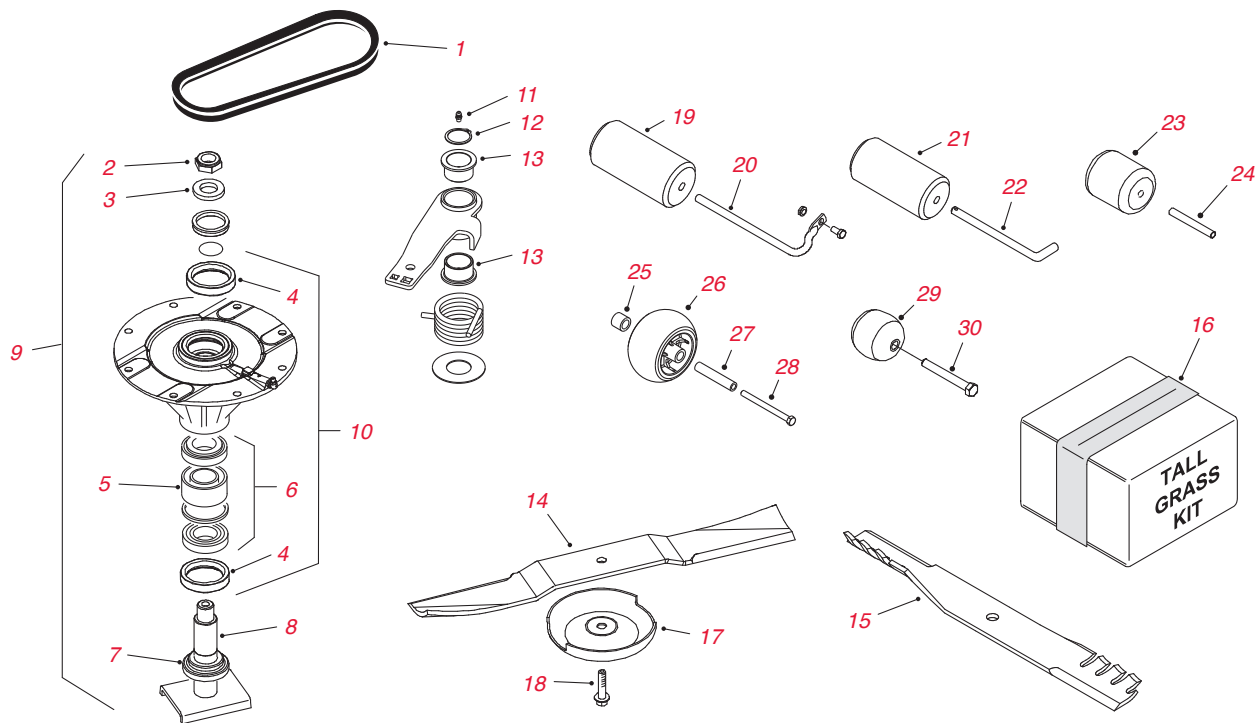
Traction Unit Parts

Ref. No.	Part No.	Description	Qty.	Sale Price
FILTERS				
	108-3841	FILTER - ENGINE OIL	1	
	108-3810	FILTER - AIR CLEANER ELEMENT	1	
	98-7612	IN-LINE FUEL FILTER, PLASTIC	1	
	108-3828	IN-LINE FUEL FILTER, METAL	1	
	98-9764	ELEMENT - SEPARATOR (2007)	1	
	110-9049	ELEMENT - SEPARATOR (2008 & UP)	1	
	112-9140	BIO-DIESEL FUEL FILTER KIT	1	
	112-8400	BIO-DIESEL FUEL PUMP KIT	1	
	110-9015	ELEMENT - SEPARATOR (BIO-DIESEL KIT)	1	
	108-5194	FILTER - TRANSMISSION OIL	1	
	98-9493	ELEMENT-BREATHER (7210)	1	
	30037**	400 Hour Filter MVP Kit (2007)	A/R	
	30052**	400 Hour Filter MVP Kit (2008 & Up)	A/R	
BELTS				
	98-9676	V-BELT - ALTERNATOR DRIVE	1	
TIRES				
	106-7868	TIRE - REAR (24 X 12 - 12) 6-PLY TURF-TRAC	2	
	103-6771	TIRE - REAR (24 X 12 - 12) 6-PLY LUG TREAD	2	
	108-9955	TIRE - CASTER WHEEL	2	
BEARINGS				
	254-107	BEARING CUP	4	
	254-106	BEARING CONE	4	
STARTER & ALTERNATORS				
	131-6557	ALTERNATOR ASM	1	
	98-9705	STARTER ASM	1	
OTHER				
	117-5135	RADIATOR ASM	1	
	108-0638	BOTTLE-OVERFLOW	1	
	115-5305	CAP-FUEL	1	

*Not illustrated. **See pages 18-34 for Kit contents.

GROUNDMASTERS

GROUNDMASTER® 7200 / 7210



Cutting Unit Parts

Ref. No.	Part No.	Description	Qty.	Sale Price
1	110-9595	V-BELT - 62" GUARDIAN - LEFT SPINDLE DRIVE	1	
1	110-9594	V-BELT - 62" GUARDIAN - RIGHT SPINDLE DRIVE	1	
1	110-9593	V-BELT - 72" GUARDIAN - LEFT SPINDLE DRIVE	1	
1	110-9592	V-BELT - 72" GUARDIAN - RIGHT SPINDLE DRIVE	1	
1	110-9591	V-BELT - 72" SIDE DISCHARGE - LEFT SPINDLE DRIVE	1	
1	110-9590	V-BELT - 72" SIDE DISCHARGE - RIGHT SPINDLE DRIVE	1	
2	3296-60	NUT - HEX	3	
3	104-8322	WASHER - HARDENED	3	
4	253-154	SEAL-OIL	3	
5	104-3549	ORDER 120-5577	3	
5	120-5577	SPACER SET (62/72" GUARDIAN)	3	
6	26-1830	ORDER 110-8297	3	
6	110-8297	BEARING KIT (MATCHED SET)	3	
7	69-6950	SPACER - SPINDLE SHAFT	3	
8	104-3554	SHAFT - SPINDLE (62/72" GUARDIAN)	3	
	104-3532**	ORDER 119-4776		
9	119-4776**	Spindle Assembly - Low Driven (62/72" Guardian)	1	
	104-3530	ORDER 119-4548		
9	119-4548	SPINDLE ASSEMBLY - DOUBLE DRIVEN (62/72" GUARDIAN)	1	
	104-3531	ORDER 119-4549		
9	119-4549	SPINDLE ASSEMBLY - HIGH DRIVEN (62/72" GUARDIAN)	1	
	108-1957	ORDER 119-4778		
9	119-4778	SPINDLE ASSEMBLY - RH (72" SD)	1	
10	104-3552	ORDER 119-4546	3	
	119-4546	SPINDLE HOUSING ASSEMBLY (62/72" GUARDIAN)		
11	302-5	FITTING-GREASE	2	
12	32120-84	RING - RETAINING	2	

*Not illustrated. **See pages 18-34 for Kit contents.

Prices subject to change without notice. NOTE: Please see your Parts Catalog or Master Parts Viewer to ensure ordering the correct part; the part needed may not be listed. **Not sold separately.

Cutting Unit Parts - continued

Ref. No.	Part No.	Description	Qty.	Sale Price
13	93-4510	BUSHING - CASTER	4	
	108-1958-03	ORDER 121-5347-03		
14	121-5347-03	STANDARD BLADE - 25" (72" RD & GUARDIAN REC 2005 & UP)	3	
*	105-7271**	Standard Blade & Belt MVP Kit (72" Guardian Recycler)	A/R	
14	92-5608-03	STANDARD BLADE - 21.75" (62" GUARDIAN)	3	
*	105-7270**	Standard Blade & Belt MVP Kit (62" Guardian Recycler)	A/R	
14	110-0621-03	MEDIUM FLOW BLADE - 24.5" (72" SD)	3	
*	105-7272**	Medium Sail Blade & Belt MVP Kit (72" Side Discharge)	A/R	
14	110-0622-03	HIGH FLOW BLADE - 24.5" (72" SD)	3	
15	112-9586-03	FLAT BLADE - 24.5" (72" SD)	3	
16	105-7269**	Tall Grass MVP Kit (62" & 72" Guardian Recycler)	A/R	
17	72-9361	CUP - ANTI SCALP	3	
18	92-5816	BOLT - BLADE	3	
19	68-6710	ROLLER	1	
20	68-6840	SHAFT - ROLLER	1	
21	36-1740	ROLLER - DECK (72" SD)	2	
22	40-0340	SHAFT - REAR ROLLER	2	
23	93-4803	ROLLER - DECK (72" SD)	1	
24	105-4549	SPACER - ROLLER	1	
25	98-7913	TUBE - SPACER	2	
26	1-603299	ROLLER - ANTI SCALP	2	
27	98-7912	TUBE - SPANNER	2	
28	323-23	SCREW - CAP HEX HD	2	
29	29-4820	ROLLER - DECK (62/72" GUARDIAN)	2	
30	325-18	SCREW - CAP HEX HD	2	

*Not illustrated. **See pages 18-34 for Kit contents.

GROUNDMASTERS

GROUNDMASTER® 360

Traction Unit Parts

	Part No.	Description	Qty.	Sale Price
FILTERS				
	108-5194	HYDRAULIC OIL FILTER	1	
	108-3810	AIR FILTER	1	
	108-3841	OIL FILTER	1	
	110-9049	FILTER - SPIN ON	1	
BELTS				
	115-0123	V-BELT, ENGINE COMPONENT ASSEMBLY	1	
	117-3399	V-BELT, AIR CONDITIONING ASSEMBLY	1	
	110-9592	V-BELT, 72" GUARDIAN DECK - RIGHT SPINDLE DRIVE	1	
	110-9593	V-BELT, 72" GUARDIAN DECK - LEFT SPINDLE DRIVE	1	
	110-9591	V-BELT, 72" SD DECK - LEFT SPINDLE DRIVE	1	
	110-9590	V-BELT, 72" SD DECK - RIGHT SPINDLE DRIVE	1	
TIRES				
	117-2901	TIRE (23 x 10.5 - 12) 6-PLY	2	
BEARINGS				
	254-72	BEARING-CUP	2	
	254-92	CONE- BEARING, OUTER	2	
STARTER & ALTERNATORS				
	117-5541	ALTERNATOR	1	
	98-9705	STARTER	1	
OTHER				
	105-4320	SWITCH	1	
	108-0638	BOTTLE-OVERFLOW	1	
	125-1984	SPACER, HYDRAULIC DRIVE ASM	5	
	115-5305	CAP-FUEL	1	

*Not illustrated. **See pages 18-34 for Kit contents.

Traction Unit Parts

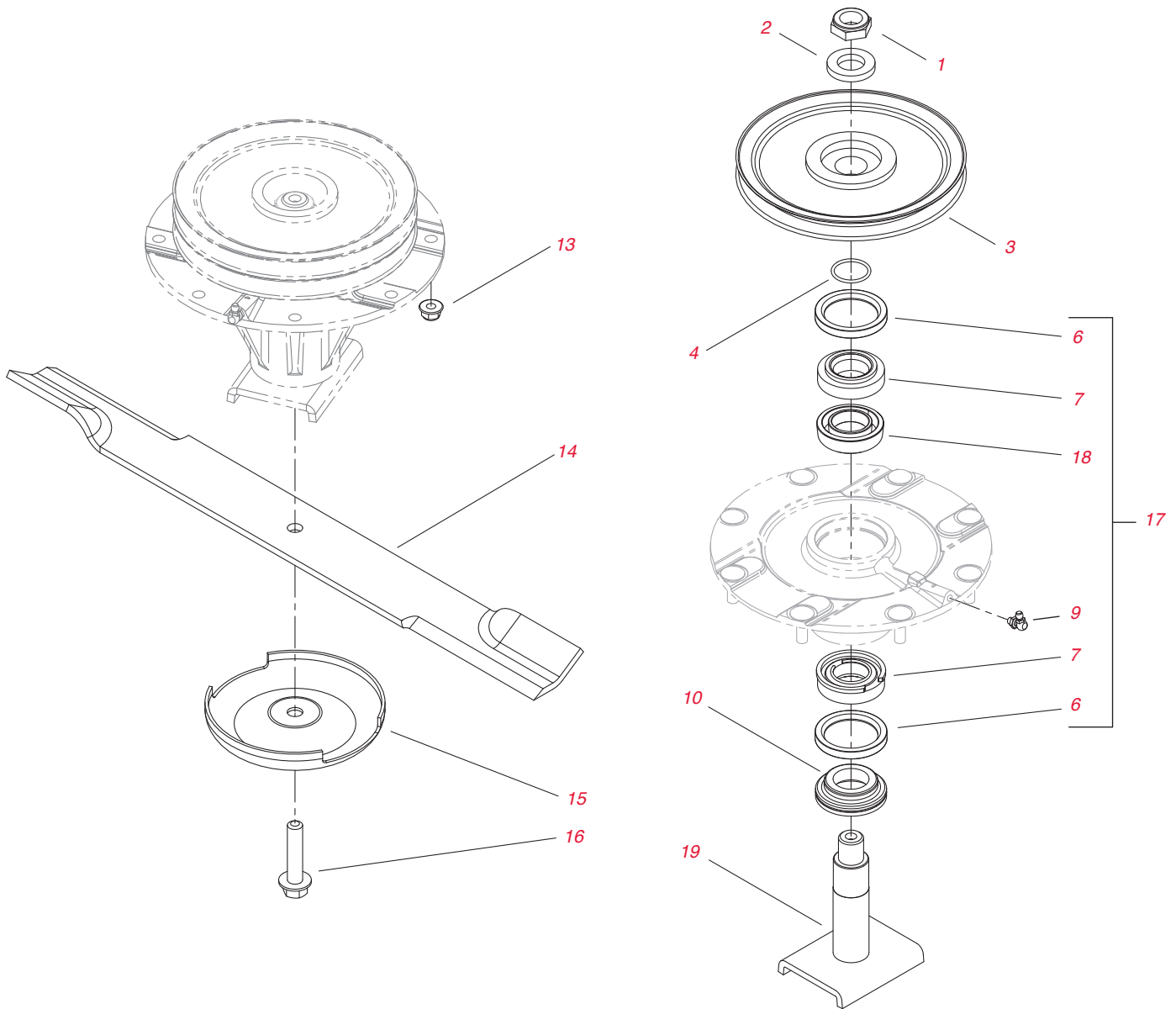
	Part No.	Description	Qty.	Sale Price
FILTERS				
	108-3810	FILTER-AIR	1	
	114-4057	ELEMENT-SAFETY, 5 INCH	1	
	127-0511	FILTER-OIL	1	
	110-9049	FILTER-SPIN ON	1	
	108-5194	FILTER-OIL, HYD	1	
BELTS				
	110-9592	V-BELT	1	
	110-9593	V-BELT	1	
	115-0123	V-BELT	1	
	98-9676	V-BELT	1	
BEARINGS				
	110-8297	BEARING ASM	2	
	251-259	BEARING-BALL	2	
	254-72	BEARING-CUP, TAPERED	2	
TIRES				
	117-2901	TIRE (23 X 10.5 - 12) 6-PLY	2	
STARTER & ALTERNATORS				
	131-6557	ALTERNATOR ASM	1	
	98-9705	STARTER ASM	1	
OTHER				
	108-0638	BOTTLE-OVERFLOW	1	
	125-1984	SPACER, HYDRAULIC DRIVE ASM	5	

*Not illustrated. **See pages 18-34 for Kit contents.

Prices subject to change without notice. NOTE: Please see your Parts Catalog or Master Parts Viewer to ensure ordering the correct part; the part needed may not be listed. **Not sold separately.

GROUNDMASTERS

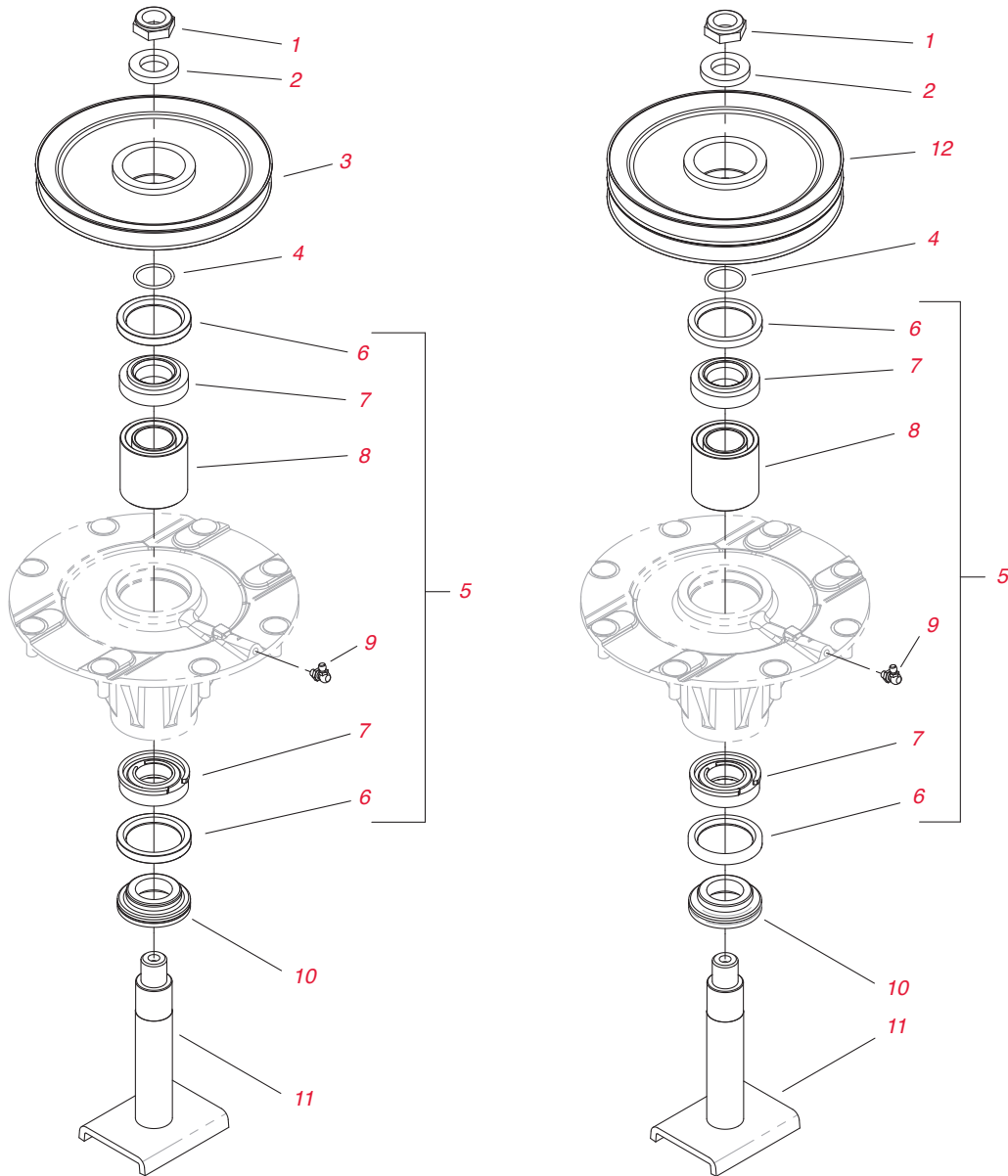
GROUNDMASTER® 360



Ref. No.	Part No.	Description	Qty.	Sale Price
*	110-9592	V-BELT	1	
*	110-9591	V-BELT	1	
1	3296-60	NUT-LOCK, NI	1	
2	104-8322	WASHER-HARDENED	1	
3	104-3546	PULLEY-DRIVEN, LOW	1	
3	104-3548	PULLEY-DRIVEN, HIGH	1	
12	104-3547	PULLEY-DRIVEN, DOUBLE	1	
4	106-7159	O-RING	1	
5	119-4777	SPINDLE ASM	1	
8	108-1954	BEARING SPACER SET	1	
7	110-8297	BEARING ASM	1	
6	253-154	SEAL-OIL	2	
9	302-60	FITTING-GREASE	1	

*Not illustrated. **See pages 18-34 for Kit contents.

Prices subject to change without notice. NOTE: Please see your Parts Catalog or Master Parts Viewer to ensure ordering the correct part; the part needed may not be listed. **Not sold separately.



Ref. No.	Part No.	Description	Qty.	Sale Price
10	69-6950	SPACER-SHAFT, SPINDLE	1	
11	108-1956	SHAFT ASM	1	
13	104-8301	NUT-FLANGE	24	
14	110-0621-03	BLADE-MEDIUM FLOW (24.5")	3	
14	110-0624-03	BLADE-ATOMIC (24.5")	3	
15	72-9361	CUP-SCALP, ANTI	3	
16	92-5816	BOLT-BLADE	3	
17	119-4775	SPINDLE ASM (CAD)	1	
18	104-3549	ORDER 120-5577	1	
18	120-5577	BEARING SPACER SET (CAB)	1	
19	104-3554	SPINDLE SHAFT ASM (CAB)	1	

*Not illustrated. **See pages 18-34 for Kit contents.

Prices subject to change without notice. NOTE: Please see your Parts Catalog or Master Parts Viewer to ensure ordering the correct part; the part needed may not be listed. **Not sold separately.



AERATORS

270 Hydroject® 3000 / 4000 Series

271 ProCore® 440 / 660 / 880

275 Turf Aerators 686 / 687

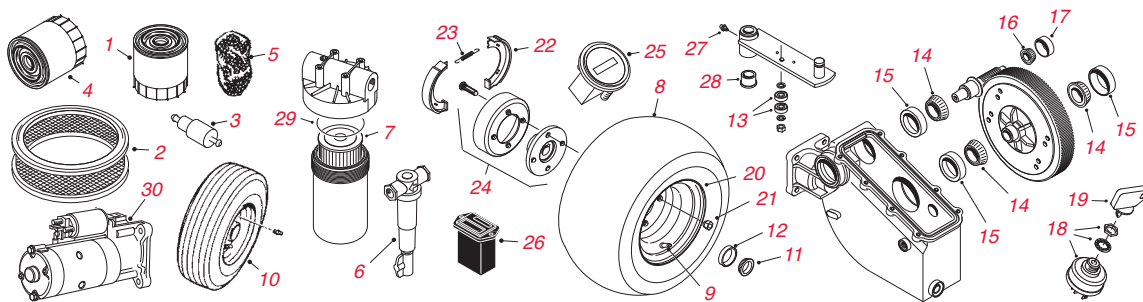
276 ProCore 648 / 864 / 1298

AERATORS

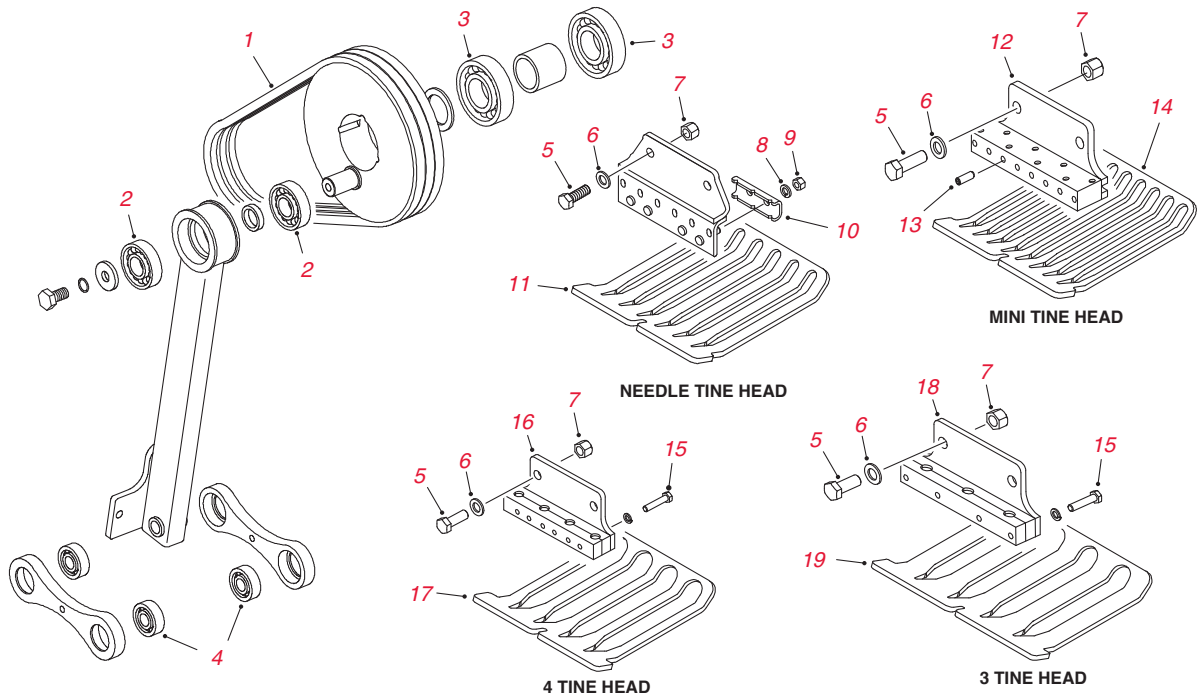
HYDROJECT® 3000 / 4000 SERIES

Hydroject 3000 / 4000 Series

Ref. No.	Part No.	Description	Qty.	Sale Price
1	57-8530	ORDER 108-3817	1	
1	108-3817	FILTER - ENGINE OIL	1	
2	82-0660	ELEMENT - AIR CLEANER	1	
3	71-5960	FILTER - FUEL	1	
4	67-8110	FILTER - TRANSMISSION	1	
5	57-8580	ELEMENT - BREATHER	1	
*	30008**	400 Hour Filter MVP Kit	A/R	
6	86-9100	ASSEMBLY - PRE-FILTER	1	
*	86-9120	BOWL - PRE-FILTER	1	
*	86-9140	ELEMENT - PRE-FILTER	1	
7	80-8590	ORDER 86-8630	1	
7	86-8620	ORDER 86-8630	1	
7	86-8630	ELEMENT - WATER FILTER (STANDARD)	1	
7	80-9590	ELEMENT - WATER FILTER (25 MICRON)	1	
8	231-64	ORDER 28-3680	3	
8	28-3680	TIRE (18 X 9.5 - 8) 2-PLY SMOOTH (3000/3010)	3	
8	231-83	ORDER 231-105	3	
8	231-105	TIRE (16 X 6.5 - 8) 4-PLY RIBBED (4000 TONGUE HITCH)	3	
*	70-9870	PLATE-BACKING	1	
9	232-27	ORDER 5108	3	
9	5108	VALVE STEM	3	
10	94-8695	ORDER 108-9955	2	
10	108-9955	TIRE (15 X 6-6) 2 PLY (HYDROTOTE TRAILER)	2	
11	254-94	BEARING CONE	4	
12	254-72	BEARING CUP	4	
13	251-307	ORDER 251-259	2	
13	251-259	BEARING - BALL (NEUTRAL ARM)	2	
14	254-62	BEARING CONE	3	
15	254-61	ORDER 115-9471	3	
15	115-9471	BEARING CUP	3	
16	254-68	BEARING CONE	1	
17	254-67	BEARING CUP	1	
18	27-2360	SWITCH W/HARDWARE	1	
19	62-7770	KEY - IGNITION	1	
20	217-60	RIM	3	
21	242-50	NUT - LUG	12	
22	70-9840	BRAKE SHOE NON-ASBESTOS (SINGLE SHOE)	2	
23	70-9880	RETAINING SPRING	2	
24	10-6821	BRAKE DRUM ASSEMBLY	1	
25	66-2950	HOUR METER	1	
26	75-6820	HOUR METER	1	
27	302-5	FITTING - GREASE	1	
28	256-113	BUSHING - FLANGE	2	
29	237-176	ORDER 92-9545	1	
29	92-9545	O-RING KIT	1	
30	112-7023	STARTER	1	
*	29-6162	SWITCH-MICRO	1	



*Not illustrated. **See pages 18-34 for Kit contents.



ProCore 440 / 660 / 880

Ref. No.	Part No.	Description	Qty.	Sale Price
1	100-5392	V-BELT - STOMPER ARM DRIVE (660/880)	A/R	
1	100-7644	V-BELT - STOMPER ARM DRIVE (440)	A/R	
2	100-5386	BEARING - BALL (660/880)	2	
2	100-7599	BEARING - BALL (440)	2	
3	100-5396	BEARING - BALL (440/660/880)	6	
4	100-7621	BEARING - BALL (440/660/880)	2	
5	33118-045	SCREW - HEX HD	2	
6	33098-00	WASHER - FLAT	2	
7	33028-00	NUT - LOCK	2	
8	3253-7	WASHER - LOCK	2	
9	104-9914	NUT - HEX	4	
10	104-0972	CLAMP - TINE	2	
11	100-5418	TURF GUARD - 6-TINE (NEEDLE) HEAD 5 FINGER	A/R	
11	100-5419	TURF GUARD - 6-TINE (NEEDLE) HEAD 7 FINGER	A/R	
12	100-3693	MINI TINE HEAD ASSEMBLY	1	
13	100-3694	SCREW - SET	8	
14	100-5420	TURF GUARD - 8-TINE (MINI) HEAD 9 FINGER	A/R	
15	33115-050	SCREW - HEX HD	4	
16	100-3696	4-TINE HEAD ASSEMBLY	1	
16	100-7617	HEAVY DUTY 4-TINE HEAD ASSEMBLY	1	
17	100-5416	TURF GUARD - 4-TINE HEAD 5 FINGER	A/R	
17	100-5417	TURF GUARD - 4-TINE HEAD 7 FINGER	A/R	
18	100-3695	3-TINE HEAD ASSEMBLY	1	
18	100-7618	HEAVY DUTY 3-TINE HEAD ASSEMBLY	1	
19	100-5414	TURF GUARD - 3-TINE HEAD 5 FINGER	A/R	
19	100-5415	TURF GUARD - 3-TINE HEAD 3 FINGER	A/R	

*Not illustrated. **See pages 18-34 for Kit contents.

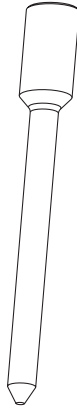
Prices subject to change without notice. NOTE: Please see your Parts Catalog or Master Parts Viewer to ensure ordering the correct part; the part needed may not be listed. **Not sold separately.

AERATORS

PROCORE® 440 / 660 / 880 TINES – 3/8" MOUNT



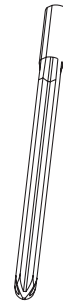
QUAD



SOLID ROUND



SOLID SLICING



SOLID CROSS

ProCore 440 / 660 / 880 Tines – 3/8" Mount

Part No.	Description	Qty.	Sale Price
QUAD			
108-9104	TITAN QUAD, 3/8" MOUNT (4.50" X .36", .25")	A/R	
108-9112	TITAN QUAD MAX, 3/8" MOUNT (4.50" X .38", .23")	A/R	
108-9105	TITAN QUAD, 3/8" MOUNT (4.50" X .46", .32")	A/R	
108-9114	TITAN QUAD MAX, 3/8" MOUNT (4.50" X .46", .28")	A/R	
108-9106	TITAN QUAD, 3/8" MOUNT (4.50" X .55", .41")	A/R	
108-9116	TITAN QUAD MAX, 3/8" MOUNT (4.50" X .58", .38")	A/R	
108-9293	TITAN QUAD, 3/8" MOUNT (4.50" X .58", .48")	A/R	
108-9108	TITAN QUAD, 3/8" MOUNT (5.00" X .36", .25")	A/R	
108-9120	TITAN QUAD MAX, 3/8" MOUNT (5.00" X .38", .23")	A/R	
108-9109	TITAN QUAD, 3/8" MOUNT (5.00" X .46", .32")	A/R	
108-9122	TITAN QUAD MAX, 3/8" MOUNT (5.00" X .48", .28")	A/R	
108-9110	TITAN QUAD, 3/8" MOUNT (5.00" X .55", .41")	A/R	
108-9124	TITAN QUAD MAX, 3/8" MOUNT (5.00" X .58", .38")	A/R	
108-9294	TITAN QUAD, 3/8" MOUNT (5.00" X .58", .48")	A/R	
108-9290	TITAN QUAD, 3/8" MOUNT (5.50" X .55", .41")	A/R	
SOLID ROUND			
108-9230	TITAN SOLID ROUND, 3/8" MOUNT (4.50" X .20")	A/R	
108-9231	TITAN SOLID ROUND, 3/8" MOUNT (4.50" X .25")	A/R	
108-9232	TITAN SOLID ROUND, 3/8" MOUNT (4.50" X .30")	A/R	
108-9233	TITAN SOLID ROUND, 3/8" MOUNT (4.50" X .35")	A/R	
108-9234	TITAN SOLID ROUND, 3/8" MOUNT (5.50" X .20")	A/R	
108-9235	TITAN SOLID ROUND, 3/8" MOUNT (5.50" X .25")	A/R	
108-9236	TITAN SOLID ROUND, 3/8" MOUNT (5.50" X .30")	A/R	
108-9237	TITAN SOLID ROUND, 3/8" MOUNT (5.50" X .35")	A/R	
SOLID SLICING			
108-9238	TITAN SOLID SLICING, 3/8" MOUNT (5.00" X .63")	A/R	
SOLID CROSS			
108-9215	TITAN CROSS, 3/8" MOUNT (4.50" X .38")	A/R	
108-9216	TITAN CROSS, 3/8" MOUNT (4.50" X .50")	A/R	
112-1310	TITAN CROSS MAX, 3/8" MOUNT (4.50" X .50")	A/R	
108-9217	TITAN CROSS, 3/8" MOUNT (4.50" X .63")	A/R	
108-9218	TITAN CROSS, 3/8" MOUNT (5.50" X .38")	A/R	
108-9219	TITAN CROSS, 3/8" MOUNT (5.50" X .50")	A/R	
112-1311	TITAN CROSS MAX, 3/8" MOUNT (5.50" X .50")	A/R	
108-9220	TITAN CROSS, 3/8" MOUNT (5.50" X .62")	A/R	

*Not illustrated. **See pages 18-34 for Kit contents.

Prices subject to change without notice. NOTE: Please see your Parts Catalog or Master Parts Viewer to ensure ordering the correct part; the part needed may not be listed. **Not sold separately.

ProCore 440 / 660 / 880 Tines – 3/4" Mount

	Part No.	Description	Qty.	Sale Price
HOLLOW				
	108-9128	TITAN HOLLOW, 3/4" MOUNT (4.75" X .46", .28")	A/R	
	108-9139	TITAN HOLLOW MAX, 3/4" MOUNT (4.75" X .46", .28")	A/R	
	108-9129	TITAN HOLLOW, 3/4" MOUNT (4.75" X .56", .41")	A/R	
	108-9141	TITAN HOLLOW MAX, 3/4" MOUNT (4.75" X .56", .38")	A/R	
	108-9130	TITAN HOLLOW, 3/4" MOUNT (4.75" X .66", .53")	A/R	
	108-9143	TITAN HOLLOW MAX, 3/4" MOUNT (4.75" X .66", .48")	A/R	
	108-9132	TITAN HOLLOW, 3/4" MOUNT (5.75" X .46", .28")	A/R	
	108-9145	TITAN HOLLOW MAX, 3/4" MOUNT (5.75" X .46", .28")	A/R	
	108-9133	TITAN HOLLOW, 3/4" MOUNT (5.75" X .56", .41")	A/R	
	108-9147	TITAN HOLLOW MAX, 3/4" MOUNT (5.75" X .56", .38")	A/R	
	108-9134	TITAN HOLLOW, 3/4" MOUNT (5.75" X .66", .53")	A/R	
	108-9149	TITAN HOLLOW MAX, 3/4" MOUNT (5.75" X .66", .48")	A/R	
	114-0551	TITAN HOLLOW EXT. TAPER, 3/4" MOUNT (5.75" X .66", .53")	A/R	
	114-0553	TITAN HOLLOW EXT. TAPER MAX, 3/4" MOUNT (5.75" X .66", .47")	A/R	
	66-9140	CLASSIC HOLLOW, 3/4" MOUNT (4.75" X .50", .40")	A/R	
	59-3670	CLASSIC HOLLOW, 3/4" MOUNT (4.75" X .63", .50")	A/R	
	104-0984	CLASSIC HOLLOW, 3/4" MOUNT (5.75" X .63", .51")	A/R	
SIDE EJECT				
	108-9159	TITAN SIDE EJECT, 3/4" MOUNT (4.75" X .46", .28")	A/R	
	108-9170	TITAN SIDE EJECT MAX, 3/4" MOUNT (4.75" X .46", .28")	A/R	
	108-9160	TITAN SIDE EJECT, 3/4" MOUNT (4.75" X .56", .41")	A/R	
	108-9172	TITAN SIDE EJECT MAX, 3/4" MOUNT (4.75" X .56", .38")	A/R	
	108-9161	TITAN SIDE EJECT, 3/4" MOUNT (4.75" X .66", .53")	A/R	
	108-9174	TITAN SIDE EJECT MAX, 3/4" MOUNT (4.75" X .66", .48")	A/R	
	108-9163	TITAN SIDE EJECT, 3/4" MOUNT (5.75" X .46", .28")	A/R	
	108-9176	TITAN SIDE EJECT MAX, 3/4" MOUNT (5.75" X .46", .28")	A/R	
	108-9164	TITAN SIDE EJECT, 3/4" MOUNT (5.75" X .56", .41")	A/R	
	108-9178	TITAN SIDE EJECT MAX, 3/4" MOUNT (5.75" X .56", .38")	A/R	
	108-9165	TITAN SIDE EJECT, 3/4" MOUNT (5.75" X .66", .53")	A/R	
	108-9180	TITAN SIDE EJECT MAX, 3/4" MOUNT (5.75" X .66", .48")	A/R	
	114-0555	TITAN SIDE EJECT EXT. TAPER, 3/4" MOUNT (5.75" X .66", .53")	A/R	
	114-0557	TITAN SIDE EJECT EXT. TAPER MAX, 3/4" MOUNT (5.75" X .66", .47")	A/R	
	108-9260	HD FAIRWAY, 3/4" MOUNT (5.75" X .70", .51")	A/R	
	108-9261	HD FAIRWAY, 3/4" MOUNT (5.75" X .80", .51")	A/R	
	104-9876	FAIRWAY, 3/4" MOUNT (5.75" X .70", .63")	A/R	
	104-9875	FAIRWAY, 3/4" MOUNT (5.75" X .80", .75")	A/R	
SOLID ROUND				
	108-9198	TITAN SOLID ROUND, 3/4" MOUNT (4.50" X .25")	A/R	
	108-9199	TITAN SOLID ROUND, 3/4" MOUNT (4.50" X .30")	A/R	
	108-9200	TITAN SOLID ROUND, 3/4" MOUNT (4.50" X .35")	A/R	
	108-9201	TITAN SOLID ROUND, 3/4" MOUNT (4.50" X .40")	A/R	
	108-9202	TITAN SOLID ROUND, 3/4" MOUNT (4.50" X .50")	A/R	
	108-9203	TITAN SOLID ROUND, 3/4" MOUNT (4.50" X .60")	A/R	
	108-9204	TITAN SOLID ROUND, 3/4" MOUNT (5.50" X .25")	A/R	
	108-9205	TITAN SOLID ROUND, 3/4" MOUNT (5.50" X .30")	A/R	
	108-9206	TITAN SOLID ROUND, 3/4" MOUNT (5.50" X .35")	A/R	
	108-9207	TITAN SOLID ROUND, 3/4" MOUNT (5.50" X .40")	A/R	
	108-9208	TITAN SOLID ROUND, 3/4" MOUNT (5.50" X .50")	A/R	
	108-9209	TITAN SOLID ROUND, 3/4" MOUNT (5.50" X .60")	A/R	
	108-9244	TITAN SOLID ROUND, 3/4" MOUNT (5.50" X .75")	A/R	
SOLID SLICING				
	108-9239	TITAN SOLID SLICING, 3/4" MOUNT (4.50" X .75")	A/R	
	108-9240	TITAN SOLID SLICING, 3/4" MOUNT (5.50" X .75")	A/R	

*Not illustrated. **See pages 18-34 for Kit contents.

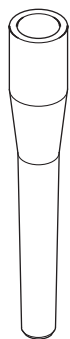
Prices subject to change without notice. NOTE: Please see your Parts Catalog or Master Parts Viewer to ensure ordering the correct part; the part needed may not be listed. **Not sold separately.

AERATORS

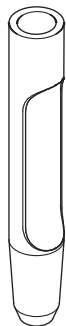
PROCORE® 440 / 660 / 880 TINES – 3/4", 7/8" AND NEEDLE MOUNT

ProCore 440 / 660 / 880 Tines – 3/4" Mount - continued

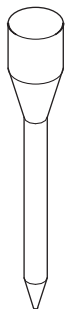
Part No.	Description	Qty.	Sale Price
SOLID CROSS			
108-9221	TITAN CROSS, 3/4" MOUNT (4.50" X .50")	A/R	
112-1312	TITAN CROSS MAX, 3/4" MOUNT (4.50" X .50")	A/R	
108-9222	TITAN CROSS, 3/4" MOUNT (4.50" X .63")	A/R	
108-9223	TITAN CROSS, 3/4" MOUNT (4.50" X .75")	A/R	
108-9224	TITAN CROSS, 3/4" MOUNT (5.50" X .50")	A/R	
112-1313	TITAN CROSS MAX, 3/4" MOUNT (5.50" X .50")	A/R	
108-9225	TITAN CROSS, 3/4" MOUNT (5.50" X .63")	A/R	
108-9226	TITAN CROSS, 3/4" MOUNT (5.50" X .75")	A/R	



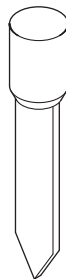
HOLLOW



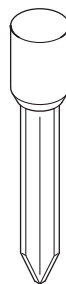
SIDE EJECT



SOLID ROUND



SOLID SLICING



SOLID CROSS



SOLID NEEDLE

ProCore 440 / 660 / 880 Tines – 7/8" and Needle Mount

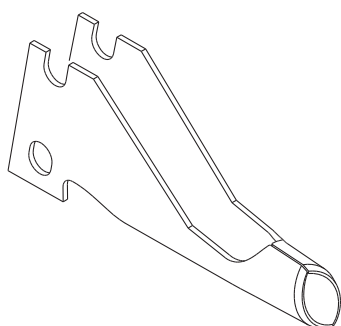
Part No.	Description	Qty.	Sale Price
HOLLOW			
108-9190	TITAN HOLLOW, 7/8" MOUNT (4.75" X .66", .51")	A/R	
108-9155	TITAN HOLLOW MAX, 7/8" MOUNT (4.75" X .66", .48")	A/R	
108-9191	TITAN HOLLOW, 7/8" MOUNT (4.75" X .76", .63")	A/R	
108-9192	TITAN HOLLOW, 7/8" MOUNT (5.75" X .66", .51")	A/R	
108-9157	TITAN HOLLOW MAX, 7/8" MOUNT (5.75" X .66", .48")	A/R	
108-9193	TITAN HOLLOW, 7/8" MOUNT (5.75" X .76", .63")	A/R	
62-4600	CLASSIC HOLLOW, 7/8" MOUNT (4.75" X .75", .60")	A/R	
86-9720	CLASSIC HOLLOW, 7/8" MOUNT (5.75" X .75", .60")	A/R	
SIDE EJECT			
108-9194	TITAN SIDE EJECT, 7/8" MOUNT (4.75" X .66", .51")	A/R	
108-9186	TITAN SIDE EJECT MAX, 7/8" MOUNT (4.75" X .66", .48")	A/R	
108-9195	TITAN SIDE EJECT, 7/8" MOUNT (4.75" X .76", .63")	A/R	
108-9196	TITAN SIDE EJECT, 7/8" MOUNT (5.75" X .66", .51")	A/R	
108-9188	TITAN SIDE EJECT MAX, 7/8" MOUNT (5.75" X .66", .48")	A/R	
108-9197	TITAN SIDE EJECT, 7/8" MOUNT (5.75" X .76", .63")	A/R	
108-9264	TITAN HD FAIRWAY, 7/8" MOUNT (5.75" X .80", .75")	A/R	
108-9265	TITAN HD FAIRWAY, 7/8" MOUNT (5.75" X .92", .88")	A/R	
92-7941	FAIRWAY, 7/8" MOUNT (4.75" X .80", .64")	A/R	
92-7900	FAIRWAY, 7/8" MOUNT (5.75" X .80", .75")	A/R	
104-9877	FAIRWAY, 7/8" MOUNT (5.75" X .92", .88")	A/R	
SOLID ROUND			
108-9246	TITAN SOLID ROUND, 7/8" MOUNT (5.50" X .75")	A/R	
108-9247	TITAN SOLID ROUND, 7/8" MOUNT (5.50" X .88")	A/R	

*Not illustrated. **See pages 18-34 for Kit contents.

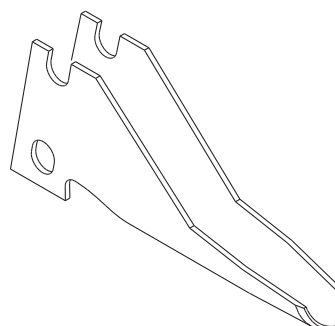
Prices subject to change without notice. NOTE: Please see your Parts Catalog or Master Parts Viewer to ensure ordering the correct part; the part needed may not be listed. **Not sold separately.

ProCore 440 / 660 / 880 Tines – 7/8" and Needle Mount - continued

	Part No.	Description	Qty.	Sale Price
SOLID SLICING				
	108-9242	TITAN SOLID SLICING, 7/8" MOUNT (5.50" X .75")	A/R	
SOLID CROSS				
	108-9259	TITAN CROSS, 7/8" MOUNT (5.50" X .88")	A/R	
SOLID NEEDLE				
	100-3620*	TITAN SOLID NEEDLE 3/16" X 6.43"	A/R	
	100-3621*	TITAN SOLID NEEDLE 5/16" X 7.38"	A/R	



CLOSED SPOON



OPEN SPOON

Turf Aerator 686 / 687 Tines

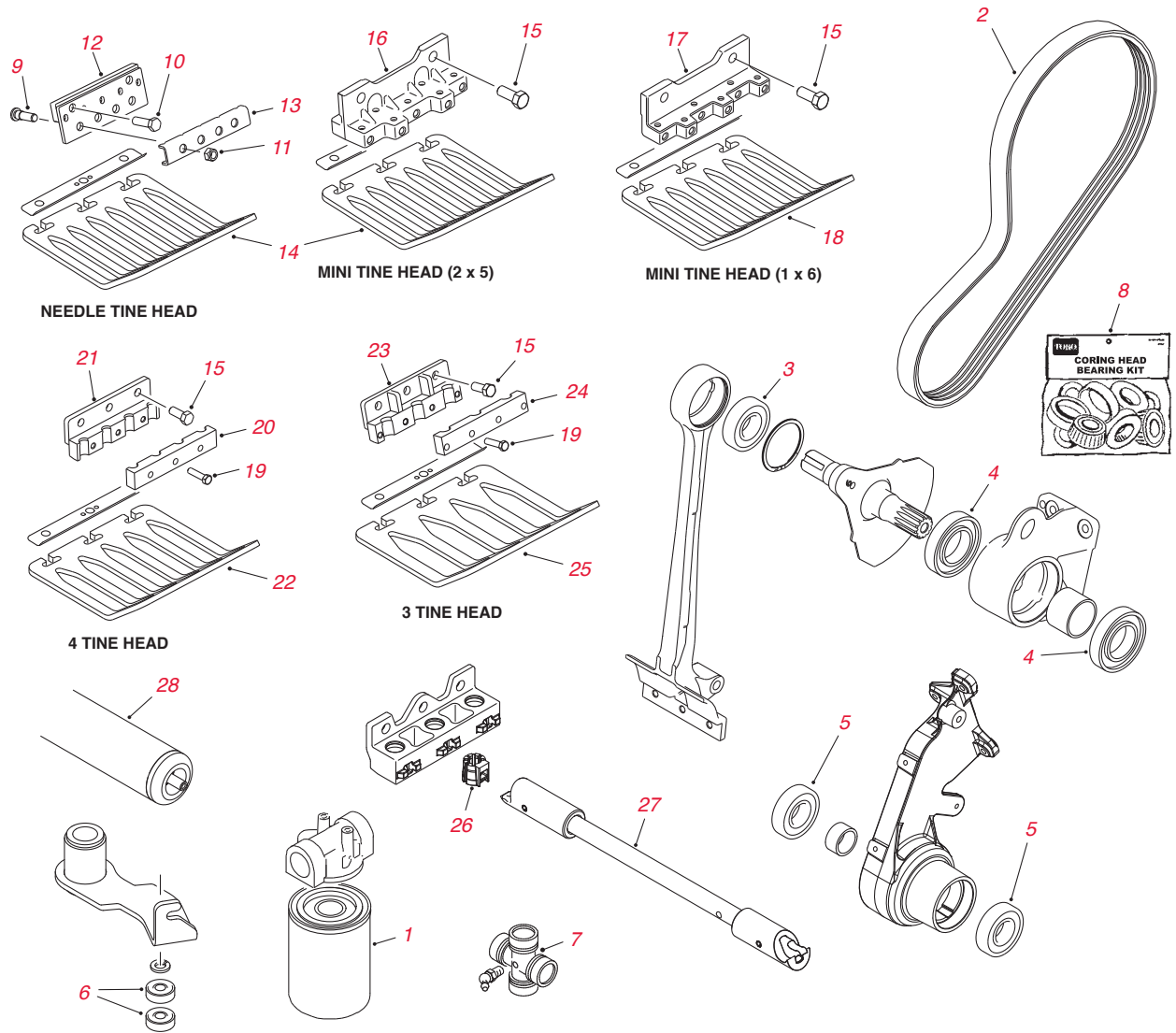
	Part No.	Description	Qty.	Sale Price
CLOSED SPOON				
	01-283-0050	ORDER 108-9297	A/R	
	108-9297	1/2" SPOON TINE CLOSED (686/687)	A/R	
	01-283-0060	ORDER 108-9299	A/R	
	108-9299	3/4" SPOON TINE CLOSED (686/687)	A/R	
OPEN SPOON				
	01-283-0070	ORDER 108-9296	A/R	
	108-9296	1/2" SPOON TINE OPEN (686/687)	A/R	
	01-283-0080	ORDER 108-9298	A/R	
	108-9298	3/4" SPOON TINE OPEN (686/687)	A/R	
	01-283-0030	4" SLICING BLADE (686/687)	A/R	
	01-283-0040	SLICING BLADE (686/687)	A/R	

*Not illustrated. **See pages 18-34 for Kit contents.

Prices subject to change without notice. NOTE: Please see your Parts Catalog or Master Parts Viewer to ensure ordering the correct part; the part needed may not be listed. **Not sold separately.

AERATORS

PROCORE® 648 / 864 / 1298



Ref. No.	Part No.	Description	Qty.	Sale Price
*	108-3847	FILTER-ENGINE, OIL (PROCORE 648)	1	
1	107-9531	HYDRAULIC FILTER ELEMENT (648)	1	
2	105-0989	MULTI-ROW V-BELT - PRIMARY DRIVE (648)	A/R	
2	105-0991	MULTI-ROW V-BELT - SECONDARY DRIVE (648)	A/R	
2	110-4327	MULTI-ROW V-BELT - SECONDARY DRIVE (864/1298)	A/R	
3	106-8871	BEARING - BALL (648)	A/R	
3	110-4556	BEARING - BALL (864/1298)	A/R	
4	105-0965	BEARING - BALL (648)	A/R	
4	110-4555	BEARING - BALL (864/1298)	A/R	
5	106-8871	BEARING - BALL (864/1298)	A/R	
6	251-259	BEARING - BALL (NEUTRAL ARM - 648)	2	
7	110-4635	CROSS & BEARING KIT (SHIELDED DRIVESHAFT - 864/1298)	2	
7	110-4641	CROSS & BEARING KIT (STD. DRIVESHAFT - 864/1298)	2	

*Not illustrated. **See pages 18-34 for Kit contents.

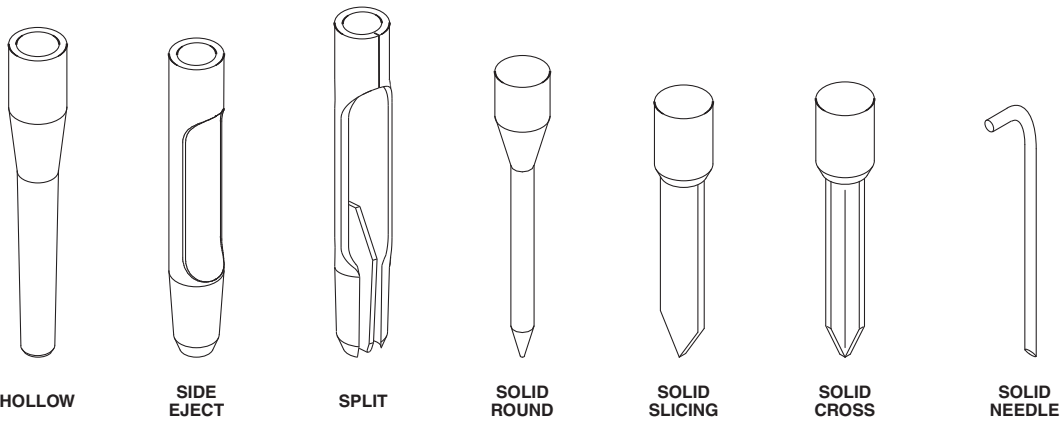
Ref. No.	Part No.	Description	Qty.	Sale Price
8	108-2132**	Coring Head Bearing MVP Kit (648)	A/R	
9	10-6830	STUD - DRIVE	A/R	
10	325-7	SCREW - HEX HD.	A/R	
11	3296-19	NUT - LOCK	A/R	
12	108-6846	HEAD - NEEDLE TINE	A/R	
13	108-6849-03	CLAMP - NEEDLE TINE HEAD	A/R	
14	110-4365	ORDER 120-1047	A/R	
14	120-1047	TURF GUARD - NEEDLE/2 X 5 MINI TINES SHORT (ALL)	A/R	
14	110-4366	ORDER 120-1052	A/R	
14	120-1052	TURF GUARD - NEEDLE/2 X 5 MINI TINES LONG (648/1298)	A/R	
14	120-1060	TURF GUARD - NEEDLE/2 X 5 MINI TINES RH (864)	A/R	
14	110-4368	TURF GUARD - NEEDLE/2 X 5 MINI TINES LH (864)	A/R	
15	325-5	SCREW - HEX HD.	A/R	
16	105-1184	MINI TINE HEAD ASSEMBLY - 2 X 5	A/R	
17	108-6809	MINI TINE HEAD ASSEMBLY - 1 X 6	A/R	
18	110-4369	ORDER 120-1050	4	
	120-1050	TURF GUARD - 1 X 6 MINI TINES SHORT (1298)	A/R	
18	110-4370	ORDER 120-1053	2	
	120-1053	TURF GUARD - 1 X 6 MINI TINES LONG (1298)	A/R	
18	115-2801	TURF GUARD - 1 X 6 MINI TINES RH (864)	1	
18	115-2802	TURF GUARD - 1 X 6 MINI TINES LH (864)	1	
19	323-8	SCREW - HEX HD.	A/R	
20	105-1032-03	CLAMP - 4-TINE HEAD 3/4"	A/R	
21	105-1045-03	HEAD - 4-TINE 3/4"	A/R	
22	110-4361	ORDER 120-1045	A/R	
22	120-1045	TURF GUARD - 4-TINE HEAD SHORT (648/864/1298)	A/R	
22	110-4362	ORDER 120-1046	A/R	
22	120-1046	TURF GUARD - 4-TINE HEAD LONG (648/1298)	A/R	
22	110-4363	ORDER 120-1059	A/R	
22	120-1059	TURF GUARD - 4-TINE HEAD RH (864)	A/R	
22	120-1060	TURF GUARD - 4-TINE HEAD LH (864)	A/R	
23	105-1036-03	HEAD - 3-TINE 3/4"	A/R	
23	108-2122-03	ORDER 110-4692-03	A/R	
23	110-4692-03	HEAD - 3-TINE 7/8"	A/R	
24	105-1038-03	CLAMP - 3-TINE HEAD 3/4"	A/R	
24	108-2124-03	CLAMP - 3-TINE HEAD 7/8"	A/R	
25	110-4357	ORDER 120-1044	A/R	
25	120-1044	TURF GUARD - 3-TINE HEAD SHORT (648/864/1298)	A/R	
25	105-1107	ORDER 120-1051	A/R	
25	120-1051	TURF GUARD - 3-TINE HEAD LONG (648 2004 AND UP)	A/R	
25	110-4358	ORDER 120-1051	A/R	
25	110-4359	ORDER 120-1057	A/R	
25	120-1057	TURF GUARD - 3-TINE HEAD RH (864)	A/R	
25	110-4360	ORDER 120-1058	A/R	
25	120-1058	TURF GUARD - 3-TINE HEAD LH (864)	A/R	
26	108-6837	SLEEVE - QUICK CHANGE TINE (3/4")	A/R	
26	108-6838	SLEEVE - QUICK CHANGE TINE (7/8")	A/R	
27	114-0590-01	TOOL - QUICK CHANGE TINE	1	
28	110-4444	REAR ROLLER ASSEMBLY (648)	1	
28	110-4252-03	REAR ROLLER ASSEMBLY (864/1298)	1	
*	99-3623-03	ARM-IDLER	1	
*	114-4665	TIRE ASM	3	
*	114-4643	WHEEL (PROCORE 648)	1	

*Not illustrated. **See pages 18-34 for Kit contents.

Prices subject to change without notice. NOTE: Please see your Parts Catalog or Master Parts Viewer to ensure ordering the correct part; the part needed may not be listed. **Not sold separately.

AERATORS

PROCORE® 648 / 864 / 1298 TINES – 3/8" MOUNT

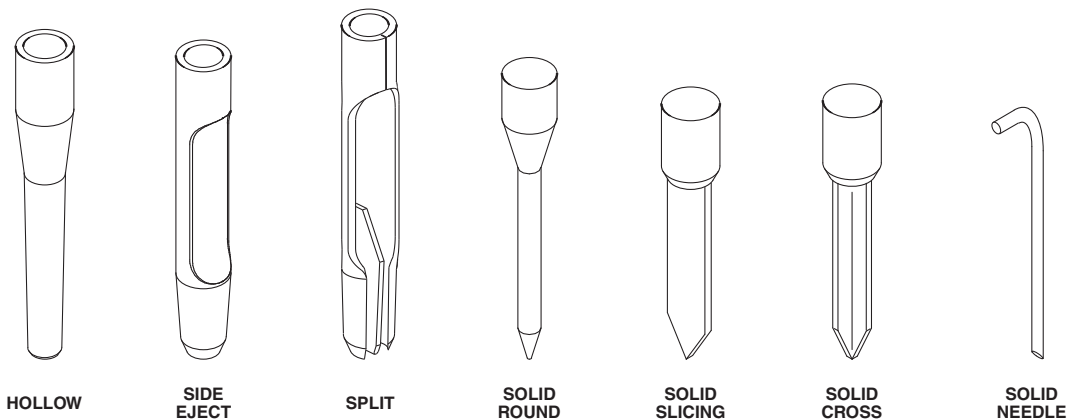


ProCore 648 / 864 / 1298 Tines – 3/8" Mount

Ref. No.	Part No.	Description	Qty.	Sale Price
QUAD				
	108-9104	TITAN QUAD, 3/8" MOUNT (4.50" X .36", .25")	A/R	
	108-9112	TITAN QUAD MAX, 3/8" MOUNT (4.50" X .38", .23")	A/R	
	108-9105	TITAN QUAD, 3/8" MOUNT (4.50" X .46", .32")	A/R	
	108-9114	TITAN QUAD MAX, 3/8" MOUNT (4.50" X .46", .28")	A/R	
	108-9106	TITAN QUAD, 3/8" MOUNT (4.50" X .55", .41")	A/R	
	108-9116	TITAN QUAD MAX, 3/8" MOUNT (4.50" X .58", .38")	A/R	
	108-9293	TITAN QUAD, 3/8" MOUNT (4.50" X .58", .48")	A/R	
	108-9108	TITAN QUAD, 3/8" MOUNT (5.00" X .36", .25")	A/R	
	108-9120	TITAN QUAD MAX, 3/8" MOUNT (5.00" X .38", .23")	A/R	
	108-9109	TITAN QUAD, 3/8" MOUNT (5.00" X .46", .32")	A/R	
	108-9122	TITAN QUAD MAX, 3/8" MOUNT (5.00" X .48", .28")	A/R	
	108-9110	TITAN QUAD, 3/8" MOUNT (5.00" X .55", .41")	A/R	
	108-9124	TITAN QUAD MAX, 3/8" MOUNT (5.00" X .58", .38")	A/R	
	108-9294	TITAN QUAD, 3/8" MOUNT (5.00" X .58", .48")	A/R	
	108-9290	TITAN QUAD, 3/8" MOUNT (5.50" X .55", .41")	A/R	
SOLID ROUND				
	108-9230	TITAN SOLID ROUND, 3/8" MOUNT (4.50" X .20")	A/R	
	108-9231	TITAN SOLID ROUND, 3/8" MOUNT (4.50" X .25")	A/R	
	108-9232	TITAN SOLID ROUND, 3/8" MOUNT (4.50" X .30")	A/R	
	108-9233	TITAN SOLID ROUND, 3/8" MOUNT (4.50" X .35")	A/R	
	108-9234	TITAN SOLID ROUND, 3/8" MOUNT (5.50" X .20")	A/R	
	108-9235	TITAN SOLID ROUND, 3/8" MOUNT (5.50" X .25")	A/R	
	108-9236	TITAN SOLID ROUND, 3/8" MOUNT (5.50" X .30")	A/R	
	108-9237	TITAN SOLID ROUND, 3/8" MOUNT (5.50" X .35")	A/R	
SOLID SLICING				
	108-9238	TITAN SOLID SLICING, 3/8" MOUNT (5.00" X .63")	A/R	
SOLID CROSS				
	108-9215	TITAN CROSS, 3/8" MOUNT (4.50" X .38")	A/R	
	108-9216	TITAN CROSS, 3/8" MOUNT (4.50" X .50")	A/R	
	112-1310	TITAN CROSS MAX, 3/8" MOUNT (4.50" X .50")	A/R	
	108-9217	TITAN CROSS, 3/8" MOUNT (4.50" X .63")	A/R	
	108-9218	TITAN CROSS, 3/8" MOUNT (5.50" X .38")	A/R	
	108-9219	TITAN CROSS, 3/8" MOUNT (5.50" X .50")	A/R	
	112-1311	TITAN CROSS MAX, 3/8" MOUNT (5.50" X .50")	A/R	
	108-9220	TITAN CROSS, 3/8" MOUNT (5.50" X .62")	A/R	

*Not illustrated. **See pages 18-34 for Kit contents.

Prices subject to change without notice. NOTE: Please see your Parts Catalog or Master Parts Viewer to ensure ordering the correct part; the part needed may not be listed. **Not sold separately.



ProCore 648 / 864 / 1298 Tines – 3/4" Mount

Ref. No.	Part No.	Description	Qty.	Sale Price
<i>HOLLOW</i>				
	108-9128	TITAN HOLLOW, 3/4" MOUNT (4.75" X .46", .28")	A/R	
	108-9139	TITAN HOLLOW MAX, 3/4" MOUNT (4.75" X .46", .28")	A/R	
	108-9129	TITAN HOLLOW, 3/4" MOUNT (4.75" X .56", .41")	A/R	
	108-9141	TITAN HOLLOW MAX, 3/4" MOUNT (4.75" X .56", .38")	A/R	
	108-9130	TITAN HOLLOW, 3/4" MOUNT (4.75" X .66", .53")	A/R	
	108-9143	TITAN HOLLOW MAX, 3/4" MOUNT (4.75" X .66", .48")	A/R	
	108-9132	TITAN HOLLOW, 3/4" MOUNT (5.75" X .46", .28")	A/R	
	108-9145	TITAN HOLLOW MAX, 3/4" MOUNT (5.75" X .46", .28")	A/R	
	108-9133	TITAN HOLLOW, 3/4" MOUNT (5.75" X .56", .41")	A/R	
	108-9147	TITAN HOLLOW MAX, 3/4" MOUNT (5.75" X .56", .38")	A/R	
	108-9134	TITAN HOLLOW, 3/4" MOUNT (5.75" X .66", .53")	A/R	
	108-9149	TITAN HOLLOW MAX, 3/4" MOUNT (5.75" X .66", .48")	A/R	
	108-9138	TITAN HOLLOW, 3/4" MOUNT (6.50" X .46", .28")	A/R	
	108-9135	TITAN HOLLOW MAX, 3/4" MOUNT (6.50" X .46", .28")	A/R	
	108-9136	TITAN HOLLOW, 3/4" MOUNT (6.50" X .56", .41")	A/R	
	108-9151	TITAN HOLLOW MAX, 3/4" MOUNT (6.50" X .56", .38")	A/R	
	108-9137	TITAN HOLLOW, 3/4" MOUNT (6.50" X .66", .53")	A/R	
	108-9153	TITAN HOLLOW MAX, 3/4" MOUNT (6.50" X .66", .48")	A/R	
	114-0551	TITAN HOLLOW EXT. TAPER, 3/4" MOUNT (5.75" X .66", .53")	A/R	
	114-0553	TITAN HOLLOW EXT. TAPER MAX, 3/4" MOUNT (5.75" X .66", .47")	A/R	
	114-0550	TITAN HOLLOW EXT. TAPER, 3/4" MOUNT (6.50" X .66", .53")	A/R	
	114-0561	TITAN HOLLOW EXT.TAPER MAX, 3/4" MOUNT (6.50" X .66", .47")	A/R	
	66-9140	CLASSIC HOLLOW, 3/4" MOUNT (4.75" X .50", .40")	A/R	
	59-3670	CLASSIC HOLLOW, 3/4" MOUNT (4.75" X .63", .50")	A/R	
	104-0984	CLASSIC HOLLOW, 3/4" MOUNT (5.75" X .63", .51")	A/R	
	105-1180	CLASSIC HOLLOW, 3/4" MOUNT (6.50" X .50", .38")	A/R	
<i>SIDE EJECT</i>				
	108-9159	TITAN SIDE EJECT, 3/4" MOUNT (4.75" X .46", .28")	A/R	
	108-9170	TITAN SIDE EJECT MAX, 3/4" MOUNT (4.75" X .46", .28")	A/R	
	108-9160	TITAN SIDE EJECT, 3/4" MOUNT (4.75" X .56", .41")	A/R	
	108-9172	TITAN SIDE EJECT MAX, 3/4" MOUNT (4.75" X .56", .38")	A/R	
	108-9161	TITAN SIDE EJECT, 3/4" MOUNT (4.75" X .66", .53")	A/R	
	108-9174	TITAN SIDE EJECT MAX, 3/4" MOUNT (4.75" X .66", .48")	A/R	
	108-9163	TITAN SIDE EJECT, 3/4" MOUNT (5.75" X .46", .28")	A/R	
	108-9176	TITAN SIDE EJECT MAX, 3/4" MOUNT (5.75" X .46", .28")	A/R	
	108-9164	TITAN SIDE EJECT, 3/4" MOUNT (5.75" X .56", .41")	A/R	
	108-9178	TITAN SIDE EJECT MAX, 3/4" MOUNT (5.75" X .56", .38")	A/R	

*Not illustrated. **See pages 18-34 for Kit contents.

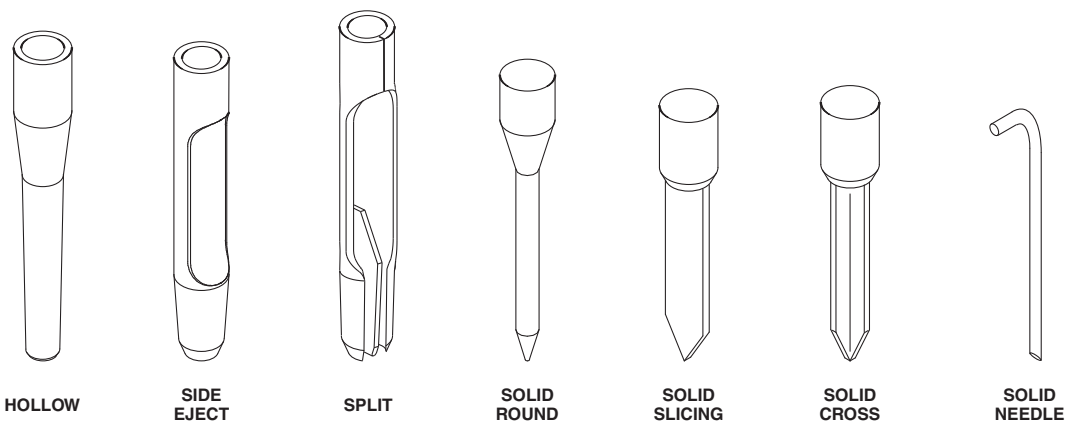
AERATORS

PROCORE® 648 / 864 / 1298 TINES – 3/4" MOUNT

ProCore 648 / 864 / 1298 Tines – 3/4" Mount

Ref. No.	Part No.	Description	Qty.	Sale Price
SIDE EJECT				
	108-9165	TITAN SIDE EJECT, 3/4" MOUNT (5.75" X .66", .53")	A/R	
	108-9180	TITAN SIDE EJECT MAX, 3/4" MOUNT (5.75" X .66", .48")	A/R	
	108-9162	TITAN SIDE EJECT, 3/4" MOUNT (6.50" X .46", .28")	A/R	
	108-9166	TITAN SIDE EJECT MAX, 3/4" MOUNT (6.50" X .46", .28")	A/R	
	108-9167	TITAN SIDE EJECT, 3/4" MOUNT (6.50" X .56", .41")	A/R	
	108-9182	TITAN SIDE EJECT MAX, 3/4" MOUNT (6.50" X .56", .38")	A/R	
	108-9168	TITAN SIDE EJECT, 3/4" MOUNT (6.50" X .66", .53")	A/R	
	108-9184	TITAN SIDE EJECT MAX, 3/4" MOUNT (6.50" X .66", .48")	A/R	
	114-0555	TITAN SIDE EJECT EXT. TAPER, 3/4" MOUNT (5.75" X .66", .53")	A/R	
	114-0557	TITAN SIDE EJECT EXT. TAPER MAX, 3/4" MOUNT (5.75" X .66", .47")	A/R	
	114-0558	TITAN SIDE EJECT EXT. TAPER, 3/4" MOUNT (6.50" X .66", .53")	A/R	
	114-0560	TITAN SIDE EJECT EXT. TAPER MAX, 3/4" MOUNT (6.50" X .66", .47")	A/R	
	108-9260	HD FAIRWAY, 3/4" MOUNT (5.75" X .70", .51")	A/R	
	108-9261	HD FAIRWAY, 3/4" MOUNT (5.75" X .80", .51")	A/R	
	104-9876	FAIRWAY, 3/4" MOUNT (5.75" X .70", .63")	A/R	
	104-9875	FAIRWAY, 3/4" MOUNT (5.75" X .80", .75")	A/R	
SPLIT				
	112-5122	TITAN SPLIT, 3/4" MOUNT (5.75" X .88", .60")	A/R	
SOLID ROUND				
	77-5320	TITAN SOLID ROUND, 3/4" MOUNT (3.25" X .313")	A/R	
	108-9198	TITAN SOLID ROUND, 3/4" MOUNT (4.50" X .25")	A/R	
	108-9199	TITAN SOLID ROUND, 3/4" MOUNT (4.50" X .30")	A/R	
	108-9200	TITAN SOLID ROUND, 3/4" MOUNT (4.50" X .35")	A/R	
	108-9201	TITAN SOLID ROUND, 3/4" MOUNT (4.50" X .40")	A/R	
	108-9202	TITAN SOLID ROUND, 3/4" MOUNT (4.50" X .50")	A/R	
	108-9203	TITAN SOLID ROUND, 3/4" MOUNT (4.50" X .60")	A/R	
	108-9204	TITAN SOLID ROUND, 3/4" MOUNT (5.50" X .25")	A/R	
	108-9205	TITAN SOLID ROUND, 3/4" MOUNT (5.50" X .30")	A/R	
	108-9206	TITAN SOLID ROUND, 3/4" MOUNT (5.50" X .35")	A/R	
	108-9207	TITAN SOLID ROUND, 3/4" MOUNT (5.50" X .40")	A/R	
	108-9208	TITAN SOLID ROUND, 3/4" MOUNT (5.50" X .50")	A/R	
	108-9209	TITAN SOLID ROUND, 3/4" MOUNT (5.50" X .60")	A/R	
	108-9244	TITAN SOLID ROUND, 3/4" MOUNT (5.50" X .75")	A/R	
	108-9210	TITAN SOLID ROUND, 3/4" MOUNT (6.50" X .30")	A/R	
	108-9211	TITAN SOLID ROUND, 3/4" MOUNT (6.50" X .35")	A/R	
	108-9212	TITAN SOLID ROUND, 3/4" MOUNT (6.50" X .40")	A/R	
	108-9213	TITAN SOLID ROUND, 3/4" MOUNT (6.50" X .50")	A/R	
	108-9214	TITAN SOLID ROUND, 3/4" MOUNT (6.50" X .60")	A/R	
	108-9245	TITAN SOLID ROUND, 3/4" MOUNT (6.50" X .75")	A/R	
SOLID SLICING				
	108-9239	TITAN SOLID SLICING, 3/4" MOUNT (4.50" X .75")	A/R	
	108-9240	TITAN SOLID SLICING, 3/4" MOUNT (5.50" X .75")	A/R	
	108-9241	TITAN SOLID SLICING, 3/4" MOUNT (6.50" X .75")	A/R	
SOLID CROSS				
	108-9221	TITAN CROSS, 3/4" MOUNT (4.50" X .50")	A/R	
	112-1312	TITAN CROSS MAX, 3/4" MOUNT (4.50" X .50")	A/R	
	108-9222	TITAN CROSS, 3/4" MOUNT (4.50" X .63")	A/R	
	108-9223	TITAN CROSS, 3/4" MOUNT (4.50" X .75")	A/R	
	108-9224	TITAN CROSS, 3/4" MOUNT (5.50" X .50")	A/R	
	112-1313	TITAN CROSS MAX, 3/4" MOUNT (5.50" X .50")	A/R	
	108-9225	TITAN CROSS, 3/4" MOUNT (5.50" X .63")	A/R	
	108-9226	TITAN CROSS, 3/4" MOUNT (5.50" X .75")	A/R	
	108-9227	TITAN CROSS, 3/4" MOUNT (6.50" X .50")	A/R	
	112-1314	TITAN CROSS MAX, 3/4" MOUNT (6.50" X .50")	A/R	
	108-9228	TITAN CROSS, 3/4" MOUNT (6.50" X .63")	A/R	
	108-9229	TITAN CROSS, 3/4" MOUNT (6.50" X .75")	A/R	

*Not illustrated. **See pages 18-34 for Kit contents.



ProCore 648 / 864 / 1298 Tines – 7/8" and Needle Mount

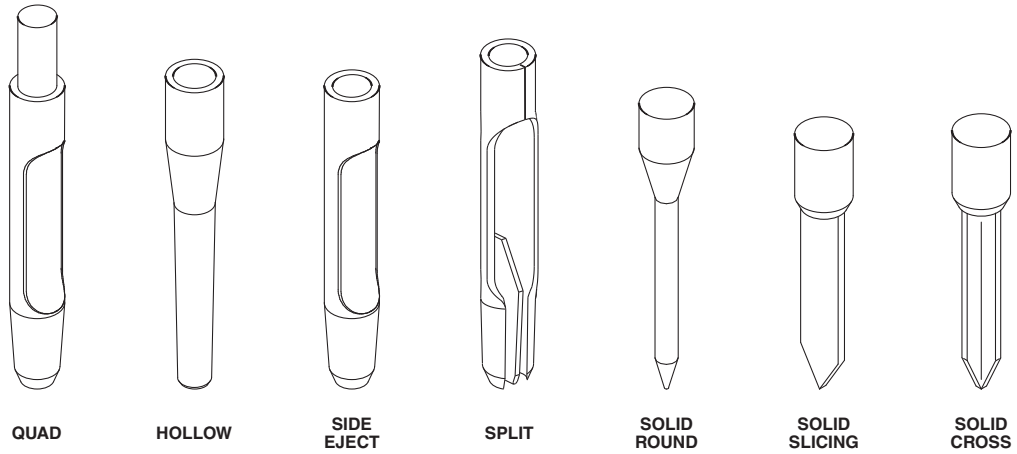
Ref. No.	Part No.	Description	Qty.	Sale Price
HOLLOW				
	108-9190	TITAN HOLLOW, 7/8" MOUNT (4.75" X .66", .51")	A/R	
	108-9155	TITAN HOLLOW MAX, 7/8" MOUNT (4.75" X .66", .48")	A/R	
	108-9191	TITAN HOLLOW, 7/8" MOUNT (4.75" X .76", .63")	A/R	
	108-9192	TITAN HOLLOW, 7/8" MOUNT (5.75" X .66", .51")	A/R	
	108-9157	TITAN HOLLOW MAX, 7/8" MOUNT (5.75" X .66", .48")	A/R	
	108-9193	TITAN HOLLOW, 7/8" MOUNT (5.75" X .76", .63")	A/R	
	62-4600	CLASSIC HOLLOW, 7/8" MOUNT (4.75" X .75", .60")	A/R	
	86-9720	CLASSIC HOLLOW, 7/8" MOUNT (5.75" X .75", .60")	A/R	
SIDE EJECT				
	108-9194	TITAN SIDE EJECT, 7/8" MOUNT (4.75" X .66", .51")	A/R	
	108-9186	TITAN SIDE EJECT MAX, 7/8" MOUNT (4.75" X .66", .48")	A/R	
	108-9195	TITAN SIDE EJECT, 7/8" MOUNT (4.75" X .76", .63")	A/R	
	108-9196	TITAN SIDE EJECT, 7/8" MOUNT (5.75" X .66", .51")	A/R	
	108-9188	TITAN SIDE EJECT MAX, 7/8" MOUNT (5.75" X .66", .48")	A/R	
	108-9197	TITAN SIDE EJECT, 7/8" MOUNT (5.75" X .76", .63")	A/R	
	108-9264	TITAN HD FAIRWAY, 7/8" MOUNT (5.75" X .80", .75")	A/R	
	108-9265	TITAN HD FAIRWAY, 7/8" MOUNT (5.75" X .92", .88")	A/R	
	92-7941	FAIRWAY, 7/8" MOUNT (4.75" X .80", .64")	A/R	
	92-7900	FAIRWAY, 7/8" MOUNT (5.75" X .80", .75")	A/R	
	104-9877	FAIRWAY, 7/8" MOUNT (5.75" X .92", .88")	A/R	
SPLIT				
	112-5121	TITAN SPLIT, 7/8" MOUNT (5.75" X .88", .64")	A/R	
	112-5123	TITAN SPLIT, 3/4" MOUNT (5.75" X 1.00", .70")	A/R	
SOLID ROUND				
	108-9246	TITAN SOLID ROUND, 7/8" MOUNT (5.50" X .75")	A/R	
	108-9247	TITAN SOLID ROUND, 7/8" MOUNT (5.50" X .88")	A/R	
	108-9248	TITAN SOLID ROUND, 7/8" MOUNT (6.50" X .75")	A/R	
	108-9249	TITAN SOLID ROUND, 7/8" MOUNT (6.50" X .88")	A/R	
SOLID SLICING				
	108-9242	TITAN SOLID SLICING, 7/8" MOUNT (5.50" X .75")	A/R	
	108-9243	TITAN SOLID SLICING, 7/8" MOUNT (6.50" X .75")	A/R	
SOLID CROSS				
	108-9259	TITAN CROSS, 7/8" MOUNT (5.50" X .88")	A/R	
SOLID NEEDLE				
	100-3620*	TITAN SOLID NEEDLE (6.43" X .188")	A/R	
	100-3621*	TITAN SOLID NEEDLE (7.38" X .313")	A/R	

*Not illustrated. **See pages 18-34 for Kit contents.

Prices subject to change without notice. NOTE: Please see your Parts Catalog or Master Parts Viewer to ensure ordering the correct part; the part needed may not be listed. **Not sold separately.

AERATORS

TINES FOR COMPETITIVE MODELS – 1/2" AND 5/8" MOUNT

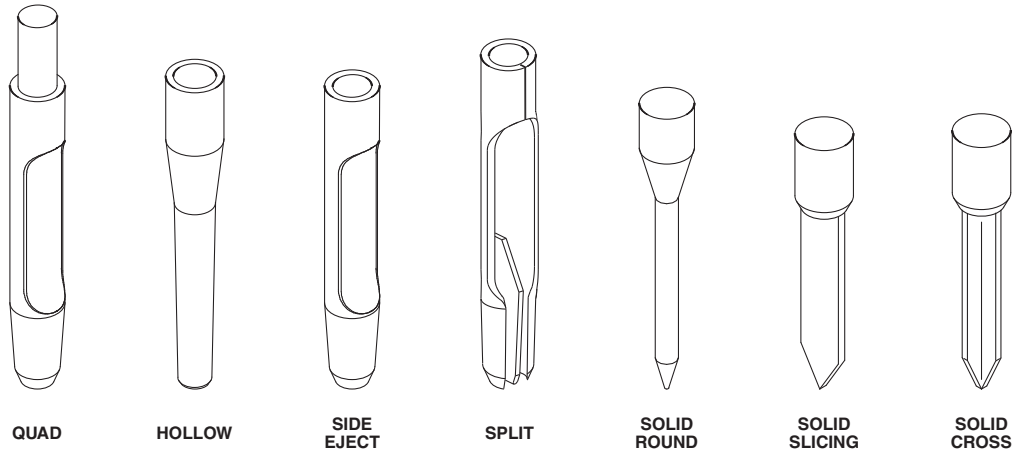


Tines for Competitive Models – 1/2" and 5/8" Mount

Ref. No.	Part No.	Description	Qty.	Sale Price
QUAD				
	112-1316	TITAN QUAD 1/2" (4.5" X .458")	A/R	
	112-1322	TITAN MAX QUAD 1/2" (4.5" X .480")	A/R	
SOLID ROUND				
	112-1347	TITAN SOLID ROUND 1/2" (4.50" X .500")	A/R	
	112-1329	TITAN SOLID ROUND 1/2" (5.50" X .250")	A/R	
	112-1330	TITAN SOLID ROUND 1/2" (5.50" X .375")	A/R	
SOLID CROSS				
	112-5104	TITAN SOLID CROSS 3/8" (4.50" X .500") (INCL 1/2" SLEEVE)	A/R	
	112-5105	TITAN SOLID CROSS 3/8" (5.50" X .500") (INCL 1/2" SLEEVE)	A/R	
SOLID SLICING				
	112-5102	TITAN SOLID SLICING 3/8" (5.00" X .625") (INCL 1/2" SLEEVE)	A/R	
*	112-1300	ORDER 114-0583		
*	114-0583	SLEEVE - 1/2" (FOR 3/8" TINES)	A/R	
QUAD				
	112-1332	TITAN QUAD 5/8" (4.5" X .458")	A/R	
	112-1338	TITAN MAX QUAD 5/8" (4.5" X .480")	A/R	
HOLLOW				
	112-1306	TITAN HOLLOW 5/8 (4.50")	A/R	
	112-1307	TITAN MAX HOLLOW 3/4" (4.50" X .580")	A/R	
SIDE EJECT				
	112-1303	TITAN SIDE EJECT 5/8" (4.50" X .560")	A/R	
	112-1304	TITAN MAX SIDE-EJECT 5/8" (4.50" X .580")	A/R	
SOLID ROUND				
	112-1348	TITAN SOLID ROUND 5/8" (4.50" X .625")	A/R	
SOLID CROSS				
	112-5106	TITAN SOLID CROSS 3/8" (4.50" X .500") (INCL 5/8" SLEEVE)	A/R	
	112-5107	TITAN SOLID CROSS 3/8" (5.50" X .500") (INCL 5/8" SLEEVE)	A/R	
SOLID SLICING				
	112-5103	TITAN SOLID SLICING 3/8" (5.00" X .625") (INCL 5/8" SLEEVE)	A/R	
*	112-1301	SLEEVE - 5/8" (FOR 3/8" TINES)	A/R	

*Not illustrated. **See pages 18-34 for Kit contents.

Prices subject to change without notice. NOTE: Please see your Parts Catalog or Master Parts Viewer to ensure ordering the correct part; the part needed may not be listed. **Not sold separately.



Procore® SR Series

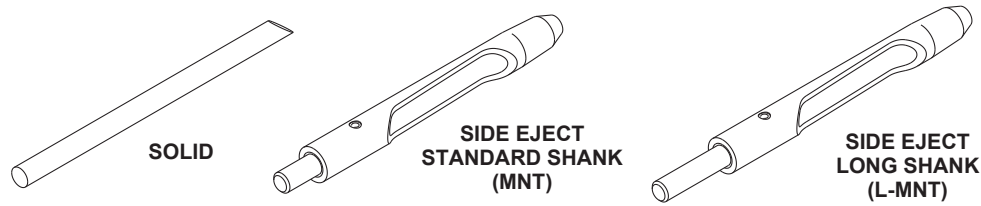
Ref. No.	Part No.	Description	Qty.	Sale Price
1	117-7190	ADAPTER HEAD KIT - 10 5/16" TINES PER HEAD	A/R	
1	117-7192	ADAPTER HEAD KIT - 8 3/8" TINES PER HEAD	A/R	
2	117-7191	ADAPTER HEAD KIT - 10 12mm TINES PER HEAD	A/R	
3	117-7193	ADAPTER HEAD KIT - 6 5/16" or 6 3/8" TINES PER HEAD	A/R	
4	117-7194	ADAPTER HEAD KIT - 2 18mm TINES PER HEAD	A/R	
5	117-7195	ADAPTER HEAD KIT - 2 5/16" or 2 12mm TINES PER HEAD	A/R	
6	117-7196	ADAPTER HEAD KIT - 4 5/16" or 4 3/8" TINES PER HEAD	A/R	
7	117-7199	ADAPTER HEAD KIT - 8 3/8" TINES PER HEAD	A/R	
8	117-7198	ADAPTER HEAD KIT - 4 12mm or 3 18mm TINES PER HEAD	A/R	
9	SGA10375	ADAPTER SLEEVE - 5/16" TINE to 12mm HOLE (MNT)	A/R	
10	SGA08313	ADAPTER SLEEVE - 5/16" TINE to 12mm HOLE (L-MNT)	A/R	
10	SGA12375	ADAPTER SLEEVE - 3/8" TINE to 12mm HOLE (L-MNT)	A/R	
11	SG715802	ADAPTER SLEEVE - 18mm TINE to 7/8" HOLE (L-MNT)	A/R	
12	SG148160	WIRE & SPRING ASSEMBLY (SR72)	12	
13	SG481512	SPRING - COMPRESSION (SR72)	12	
14	SG482016	LEADING WIRE - DRAW BAR (SR72)	24	
14	SG482017	TRAILING WIRE - DRAW BAR (SR72)	12	
12	SG487054	WIRE & SPRING ASSEMBLY (SR54)	6	
13	SG481512	SPRING - COMPRESSION (SR54)	6	
14	SG487255	WIRE - DRAW BAR (SR54)	18	
12	SG148154	SPRING & WIRE ASSEMBLY (SR54-S)	12	
13	SG487257	SPRING - COMPRESSION (SR54-S)	12	
14	SG487256	WIRE - DRAW BAR (SR54-S)	36	
13	SG481512	SPRING - COMPRESSION (SR70)	8	
14	SG487255	WIRE - DRAW BAR (SR70)	24	
12	SG148154	SPRING & WIRE ASSEMBLY (SR70-S)	16	
13	SG487257	SPRING - COMPRESSION (SR70-S)	16	
14	SG487256	WIRE - DRAW BAR (SR70-S)	48	
12	SG148160	WIRE & SPRING ASSEMBLY (SR72)	12	
13	SG481512	SPRING - COMPRESSION (SR72)	12	
14	SG482016	LEADING WIRE - DRAW BAR (SR72)	24	
14	SG482017	TRAILING WIRE - DRAW BAR (SR72)	12	
12	SG487278	SPRING & WIRE ASSEMBLY (SR75 HD)	12	
13	SG487275	SPRING - COMPRESSION (SR75 HD)	12	
14	SG487277	LEADING WIRE - DRAW BAR (SR75 HD)	24	
14	SG487276	TRAILING WIRE - DRAW BAR (SR75 HD)	12	

*Not illustrated. **See pages 18-34 for Kit contents.

Prices subject to change without notice. NOTE: Please see your Parts Catalog or Master Parts Viewer to ensure ordering the correct part; the part needed may not be listed. **Not sold separately.

AERATORS

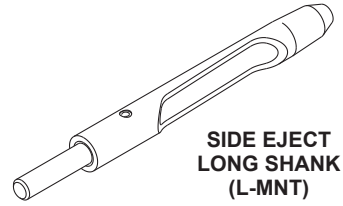
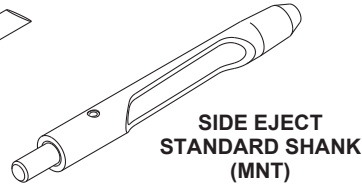
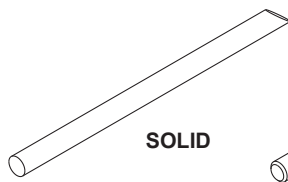
PROCORE® SR SERIES TINES



ProCore SR Series Tines

Ref. No.	Part No.	Description	SR48	SR54	SR54-S	SR70	SR70-S	SR72	SR75-HD	Sale Price
SOLID										
	SGS07313	TINE - 5/16" X 8.50" (5/16" MNT)	x	x	x	x	x	x		
	SGS08313	TINE - 5/16" X 10" (5/16" MNT)	x	x	x	x	x	x		
	SGS08375	TINE - 3/8" X 9.00" (3/8" MNT)	x	x		x		x		
	SGS10374	TINE - 3/8" X 10.75" (3/8" MNT)	x	x		x		x		
	SGS10375	TINE - 3/8" X 12.25" (3/8" MNT)	x			x		x		
	SGS08500	TINE - 12mm X 8.00" (12mm MNT)	x	x	x	x	x	x		
	SGS10504	TINE - 12mm X 10.75" (12mm MNT)	x	x	x		x	x		
	SGS10500	TINE - 12mm X 12.25" (12mm MNT)	x					x		
	SGS12500	TINE - 12mm X 14.25" (12mm MNT)	x					x		
	SGS14500	TINE - 12mm X 16.25" (12mm MNT)	x					x		
	SGS10750	TINE - 18mm X 12.25" (18mm MNT)	x					x	x	
	SGS12750	TINE - 18mm X 14.25" (18mm MNT)	x					x	x	
	SGS14750	TINE - 18mm X 16.25" (18mm MNT)	x					x	x	
	SGS10875	TINE - 7/8" X 12.50" (18mm MNT)	x					x	x	
	SGS12875	TINE - 7/8" X 14.00" (18mm MNT)	x					x	x	
	SGS14875	TINE - 7/8" X 16.00" (18mm MNT)	x					x	x	
	SGS10876	TINE - 7/8" X 12.50" (7/8" MNT)							x	
	SGS12876	TINE - 7/8" X 14.00" (7/8" MNT)							x	
	SGS14876	TINE - 7/8" X 15.75" (7/8" MNT)							x	
	SGS16100	TINE - 1" X 17.88" (7/8" MNT)							x	
SIDE EJECT STD. SHANK										
	SGC05550	TINE ASSEMBLY - .500" X 5.5" (3/8" MNT)		x		x				
	SGT05550	TUBE ASSEMBLY - .500" X 5.5"		x		x				
	SGC07624	TINE ASSEMBLY - .687" X 7.0" (12mm MNT)		x	x	x	x			
	SGT07625	TUBE ASSEMBLY - .687" X 7.0"		x	x	x	x			
	SGC07754	TINE ASSEMBLY - .813" X 7.0" (12mm MNT)		x	x	x	x			
	SGT07750	TUBE ASSEMBLY - .813" X 7.0"		x	x	x	x			
	SGC10754	TINE ASSEMBLY - .750" X 10.0" (12mm MNT)		x	x	x	x			
	SGT10750	TUBE ASSEMBLY - .750" X 10.0"		x	x	x	x			
	SGC08123	TINE ASSEMBLY - 1.31" X 8.0" (7/8" MNT)							x	
	SGT08125	TUBE ASSEMBLY - 1.31" X 8.0"							x	
	SGC12123	TINE ASSEMBLY - 1.31" X 12.0" (7/8" MNT)							x	
	SGT12125	TUBE ASSEMBLY - 1.31" X 12.0"							x	
SIDE EJECT LONG SHANK										
	SGC07625	TINE ASSEMBLY - .687" X 7.0" (12mm L-MNT)	x					x		
	SGT07625	TUBE ASSEMBLY - .687" X 7.0"	x					x		
	SGC07750	TINE ASSEMBLY - .813" X 7.0" (12mm L-MNT)	x					x		
	SGT07750	TUBE ASSEMBLY - .813" X 7.0"	x					x		
	SGC10755	TINE ASSEMBLY - .750" X 10.0" (12mm L-MNT)	x					x		
	SGT10750	TUBE ASSEMBLY - .750" X 10.0"	x					x		
	SGC10813H	TINE ASSEMBLY - .810" X 10.0" (12mm L-MNT)	x					x		
	SGT10813H	TUBE ASSEMBLY - .810" X 10.0"	x					x		
	SGC10750	TINE ASSEMBLY - .750" X 10.0" (18mm L-MNT)	x					x	x	
	SGT10750	TUBE ASSEMBLY - .750" X 10.0"	x					x	x	

*Not illustrated. **See pages 18-34 for Kit contents.



ProCore SR Series Tines

Ref. No.	Part No.	Description	SR48	SR54	SR54-S	SR70	SR70-S	SR72	SR75-HD	Sale Price
<i>SIDE EJECT LONG SHANK</i>										
	SGC08100H	TINE ASSEMBLY - 1.06" X 8.0" (18mm L-MNT)	x					x	x	
	SGT08100H	TUBE ASSEMBLY - 1.06" X 8.0"	x					x	x	
	SGC10100H	TINE ASSEMBLY - 1.06" X 10.0" (18mm L-MNT)	x					x	x	
	SGT10100H	TUBE ASSEMBLY - 1.06" X 10.0"	x					x	x	
	SGC10100S	TINE ASSEMBLY - 1.00" X 10.0" (18mm L-MNT)	x					x	x	
	SGT10100S	TUBE ASSEMBLY - 1.00" X 10.0"	x					x	x	
	SGC08125	TINE ASSEMBLY - 1.31" X 8.0" (18mm L-MNT)	x					x	x	
	SGT08125	TUBE ASSEMBLY - 1.31" X 8.0"	x					x	x	
	SGC12125	TINE ASSEMBLY - 1.31" X 12.0" (18mm L-MNT)	x					x	x	
	SGT12125	TUBE ASSEMBLY - 1.31" X 12.0"	x					x	x	

*Not illustrated. **See pages 18-34 for Kit contents.

Prices subject to change without notice. NOTE: Please see your Parts Catalog or Master Parts Viewer to ensure ordering the correct part; the part needed may not be listed. **Not sold separately.



UTILITY VEHICLES

288 Workman® Series

292 Multi Pro®

292 Multi Pro 1200 / 1250 Turf Sprayer

292 Multi Pro 5800 Turf Sprayer

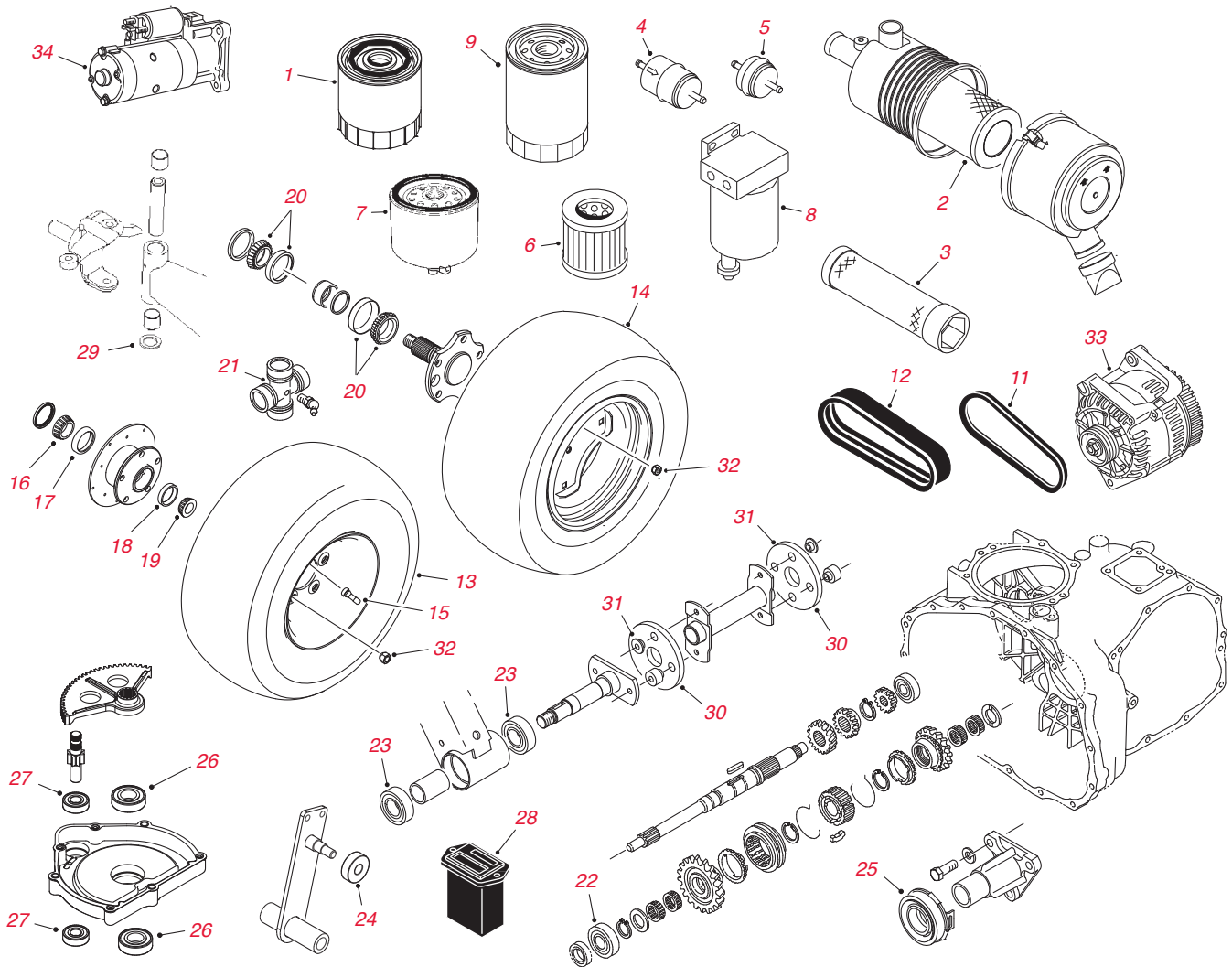
295 Trailer Sprayers



& SPRAYERS

UTILITY VEHICLES & TURF EQUIPMENT

WORKMAN® SERIES



Ref. No.	Part No.	Description	Qty.	Sale Price
1	4929325	ORDER 107-7817	1	
1	107-7817	FILTER - ENGINE OIL (2100/2110 2000-07 & MDX)	1	
1	42-9030	FILTER - ENGINE OIL (3200 - 1993-94 ONLY)	1	
1	115-8189	FILTER - ENGINE OIL (HDX/HDX-D 2013 & UP, MDX/MDX-D 2012 & UP)	1	
1	67-4330	ORDER 108-3841	1	
1	108-3841	FILTER - ENGINE OIL (1300D & 3000/4000 SERIES - 1993-2001)	1	
1	99-9016	ORDER 108-3842	1	
1	99-9017	ORDER 108-3842	1	
1	83-1760	ORDER 108-3842	1	
1	108-3842	FILTER - ENGINE OIL (3000/4000 2012 & OLDER & HDX/HDX-D)	1	
1	115-8189	FILTER - ENGINE OIL (HDX/HDX-D 2013 & UP MDX/MDX-D 2012 & UP)	1	
1	108-3847	FILTER - ENGINE OIL HDX AUTO	1	
2	93-2195	ORDER 108-3811	1	
2	108-3810	ELEMENT - AIR FILTER (GTX/MD, MDX, MDX-D, HDX 2012 & OLDER, HDX AUTO)	1	
2	108-3811	ELEMENT - AIR FILTER (MD, MDX, MDX-D, HDX 2012 & OLDER, HDX AUTO)	1	
2	33-1300	ORDER 108-3808	1	
2	108-3808	ELEMENT - AIR FILTER (1993-98)	1	

*Not illustrated. **See pages 18-34 for Kit contents.

UTILITY VEHICLES & TURF EQUIPMENT WORKMAN® SERIES

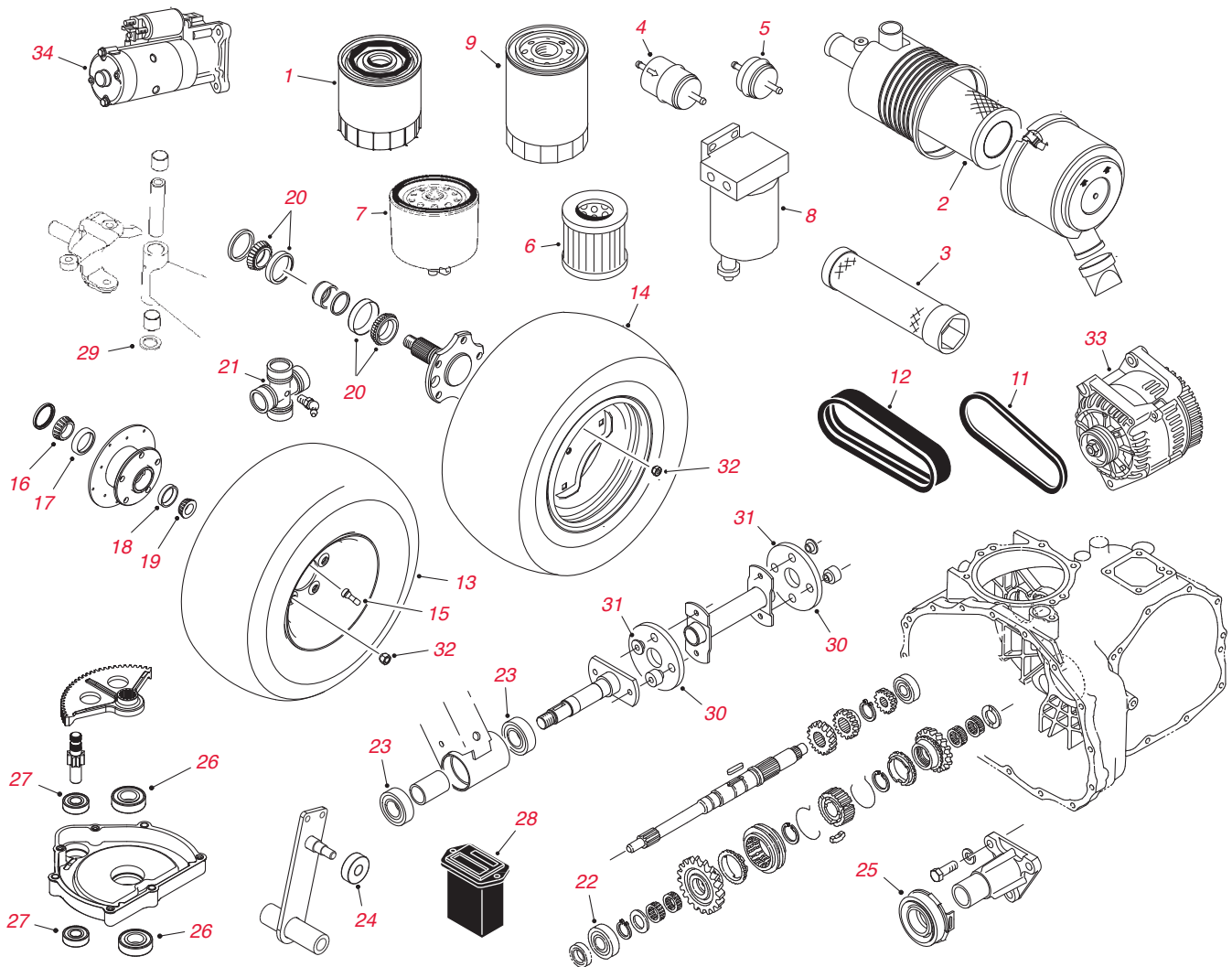
Ref. No.	Part No.	Description	Qty.	Sale Price
3	98-2982	SAFETY ELEMENT - AIR FILTER	1	
4	18-1520	ORDER 108-3831	1	
4	99-9403	ORDER 108-3831	1	
4	108-3831	IN-LINE FUEL FILTER	1	
4	94-2690	FILTER - GAS FUEL (1000/2000/MD/MDX)	1	
4	99-9404	ORDER 108-3854	1	
4	105-8045	ORDER 108-3854	1	
4	108-3832	ORDER 108-3854	1	
4	108-3854	Gas Fuel Filter (3000/4000 2000 UP & HD 2012 & OLDER)	1	
*	115-7818	FILTER - FUEL (HDX, HDX AUTO 2013 & UP)	1	
5	115-7854	IN-LINE FUEL FILTER (GTX/MD/MDX/HD/HDX/HDX AUTO)	1	
6	43-2550	FILTER - ELECTRIC FUEL PUMP (DIESEL)	1	
7	63-8300	FILTER - WATER SEPARATOR (DIESEL)	1	
*	110-9029	Bio-Diesel Fuel Hose Kit (3300D/4300D)	1	
	115-5305	CAP-FUEL (3300/4300)	1	
8	110-9049	ELEMENT - FUEL/WATER SEPARATOR (HDX-D/MDX-D)	1	
9	54-0110	FILTER - HYDRAULIC OIL (3000/4000/HD/HDX/HDX-D/HDX AUTO)	1	
*	30005**	400 Hour Filter MVP Kit (1100/1110/MD)	A/R	
*	30004**	400 Hour Filter MVP Kit (2100/2110/MDX)	A/R	
*	30017**	400 Hour Filter MVP Kit (3200/4200 - 2002 & Up)	A/R	
*	30017**	400 Hour Filter MVP Kit (3300D/4300D - 2002 & Up)	A/R	
*	30073**	400 Hour Filter MVP Kit (HDX 2012 & Older)	A/R	
*	30068**	400 Hour Filter MVP Kit (HDX-D 2012 & Older)	A/R	
*	30248**	400 Hour Filter MVP Kit (HDX 2013 & Up)	A/R	
*	30249**	400 Hour Filter MVP Kit (HDX-D 2013 & Up)	A/R	
	131-8276**	400 Hour Filter MVP Kit (HDX-Auto 2014 & Up)	A/R	
	136-6280**	400 Hour Filter MVP Kit (GTX)		
11	93-7140	V-BELT - HYDRAULIC PUMP (1300D)	1	
11	98-2947	V-BELT - ALTERNATOR/WATER PUMP (1300D)	1	
11	99-7133	V-BELT - STARTER (2100/2110)	1	
11	99-7144	V-BELT - CVT TRANSMISSION (2100/2110)	1	
11	87-3200	V-BELT - GOVERNOR (3200/4200 1993-2001)	1	
11	87-3210	V-BELT - HYDRAULIC PUMP (3200/4200 1993-2001)	1	
11	93-7140	V-BELT - HYDRAULIC PUMP (3200/4200 2002 & UP)	1	
11	92-2041	V-BELT - ALTERNATOR/WATER PUMP (3200/4200 1993-2001)	1	
11	99-9156	V-BELT - ALTERNATOR/WATER PUMP (3200/4200 2002 & UP)	1	
11	87-3200	V-BELT - GOVERNOR (3210/3220/3420)	1	
11	92-2041	V-BELT - ALTERNATOR/WATER PUMP (3210/3220/3420)	1	
11	87-3210	V-BELT - HYDRAULIC PUMP (3300D/4300D 1993-1997)	1	
11	93-7140	V-BELT - HYDRAULIC PUMP (3300D/4300D 1998 & UP)	1	
11	67-4410	V-BELT - ALTERNATOR/WATER PUMP (3300D/4300D 1993-1997)	1	
11	98-2947	V-BELT - ALTERNATOR/WATER PUMP (3300D/4300D 1998-2001)	1	
11	99-9156	V-BELT - ALTERNATOR/WATER PUMP (3300D/4300D 2002 & UP)	1	
11	93-7140	V-BELT - HYDRAULIC PUMP (3310D/3320D)	1	
11	110-3796	V-BELT - ALTERNATOR/PULLEY ASM (HDX/HDX-D 2013 & UP)	1	
11	112-3131	V-BELT - STARTER (MD)	1	
11	112-2911	V-BELT - STARTER (MDX)	1	
11	112-2511	V-BELT - STARTER (MDX-D)	1	
11	87-8370	V-BELT - HYDRAULIC PUMP DRIVE (3100/3120/HD)	1	
11	117-4922	V-BELT - ALTERNATOR/WATER PUMP (HDX/HDX-D 2012 & OLDER)	1	
11	121-9612	BELT - CVT GEARBOX ASSEMBLY (HDX AUTO)	1	
12	99-7143	MULTI-ROW V-BELT - TRANSMISSION DRIVE (1100/MD)	1	
12	112-2912	MULTI-ROW V-BELT - TRANSMISSION DRIVE (MDX)	1	
13	99-7300	TIRE - FRONT (20 X 10 - 8) 4-PLY (1100)	2	
	104-7289	ORDER 127-7435		
13	127-7435	TIRE - FRONT (22 X 9.5 - 10) 4-PLY (1100/2100/2110)	4	
13	104-7064	TIRE - FRONT (22 X 9.5 - 10) 4-PLY TURF-TRAC R/S (2110)	2	
	104-7281	ORDER 131-6667		
13	131-6667	TIRE - FRONT (24 X 12 - 10) 4-PLY T-T R/S (2110)	4	
13	87-3300	ORDER 94-5261	2	

*Not illustrated. **See pages 18-34 for Kit contents.

Prices subject to change without notice. NOTE: Please see your Parts Catalog or Master Parts Viewer to ensure ordering the correct part; the part needed may not be listed. **Not sold separately.

UTILITY VEHICLES & TURF EQUIPMENT

WORKMAN® SERIES



Ref. No.	Part No.	Description	Qty.	Sale Price
13	94-5261	TIRE - FRONT (20 X 10 - 10) 4-PLY RIBBED (3000/4000)	2	
13	112-2984	ORDER 112-3163	2	
13	112-3163	TIRE - FRONT (20 X 10 - 10) 6-PLY TURF-TRAC (3000/4000)	2	
13	94-5236	TIRE - FRONT 4WD (20 X 10 - 10) 6-PLY MULTI-TRAC (3000/4000)	2	
	104-7289	ORDER 127-7435		
13	127-7435	TIRE - FRONT (22 X 9.5 - 10) 4-PLY (1100/2100/2110)	2	
	104-7289	ORDER 127-7435		
13	127-7435	TIRE - FRONT (22 X 9.5 - 10) 4-PLY (MD/MDE/MDX)	2	
13	114-8273	ORDER 131-6670	2	
13	131-6670	TIRE - FRONT (20 X 9 - 12) 6-PLY TURF-TRAC (HD/HDX/HDX-D)	2	
	104-7289	ORDER 127-7435		
14	127-7435	TIRE - REAR (22 X 9.5 - 10) 4-PLY (1100/2100/2110)	4	
14	108-7007	TIRE - REAR (22.5 X 10 - 8) 4-PLY TURF-TRAC R/S (1000/2000)	2	
	104-7281	ORDER 131-6667		
14	131-6667	TIRE - REAR (24 X 12 - 10) 4-PLY T-T R/S (2110)	4	
14	98-2993	TIRE - REAR (23 X 8.5 - 12) 6-PLY UNI-TREAD (3000/4000)	2	
14	94-9388	ORDER 87-3290	2	
14	42330	ORDER 87-3290	2	

UTILITY VEHICLES & TURF EQUIPMENT

WORKMAN® SERIES

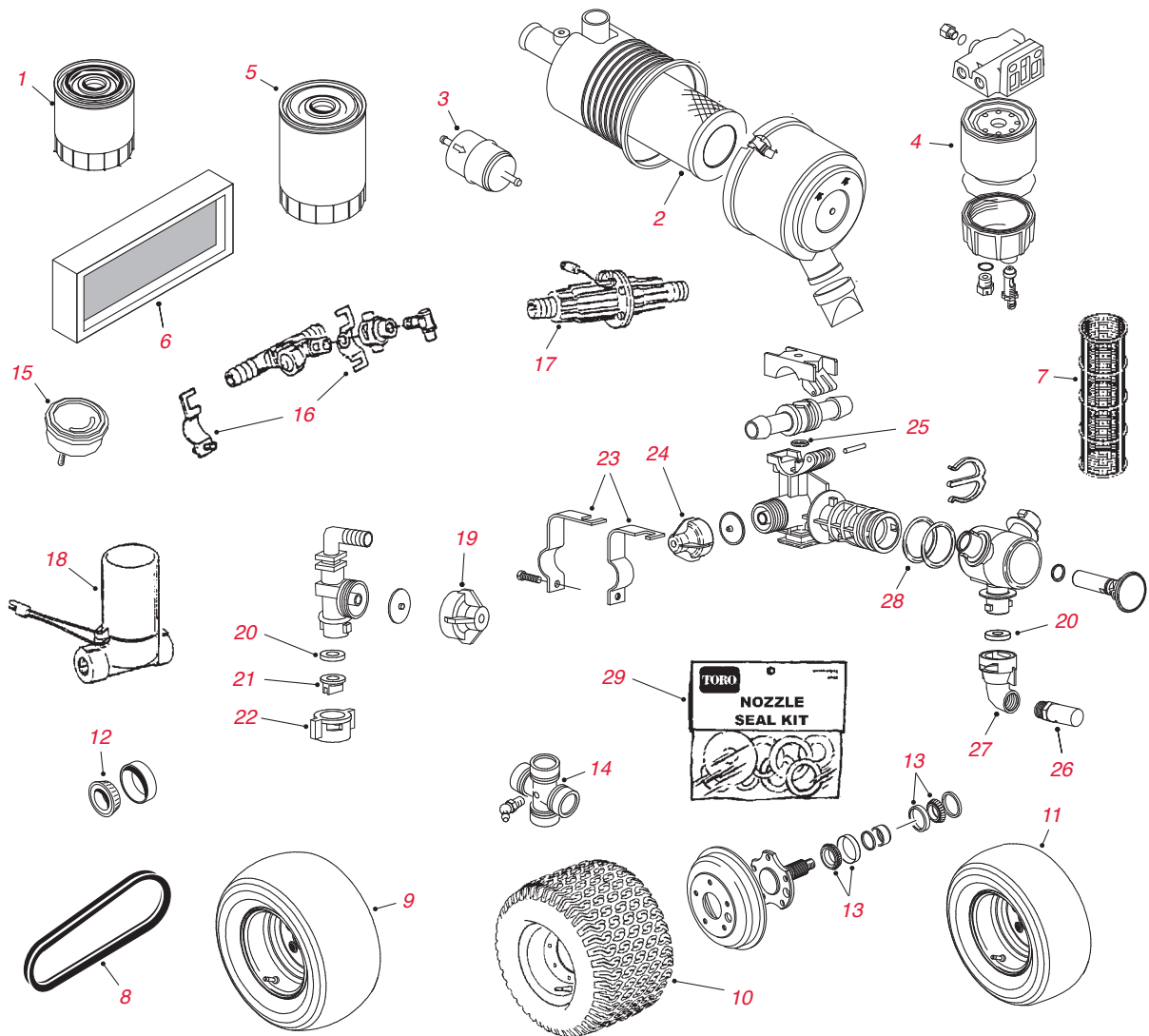
Ref. No.	Part No.	Description	Qty.	Sale Price
14	87-3290	TIRE - REAR (23 X 10.5 - 12) 4-PLY TURF-TRAC (3000/4000)	2	
14	105-1781	ORDER 106-7868	2	
14	106-7868	TIRE - REAR (24 X 12 - 12) 6-PLY (3000/4000/HD/HDX/HDX-D)	2	
14	42685	ORDER 110-5132	2	
14	87-6740	ORDER 110-5132	2	
14	110-5132	TIRE - REAR (24 X 13 - 12) 6-PLY (3000/4000)	2	
14	99-1091	TIRE - REAR (23 x 10.5 - 12) 4-PLY SAWTOOTH (HDX)	2	
14	106-7868	TIRE - REAR (24 X 12 - 12) 6-PLY TURF TRAC (3000/4000)	2	
14	104-7281	ORDER 131-6667	2	
14	131-6667	TIRE - REAR (24 X 12 - 10) 4-PLY TURF-TRAC R/S (2110/MDX)		
14	104-7289	ORDER 127-7435	2	
14	127-7435	TIRE - REAR (22 X 9.5 - 10) 4-PLY (1100/2100/2110)		
*	131-8319	TIRE ASM (GTX)	2	
*	87-3470	BUMPER	1	
15	5108	VALVE STEM	4	
16	254-106	BEARING CONE - 2WD FRONT WHEEL INNER	2	
17	254-107	BEARING CUP - 2WD FRONT WHEEL INNER	2	
18	254-72	BEARING CUP - 2WD FRONT WHEEL OUTER	2	
19	254-94	BEARING CONE - 2WD FRONT WHEEL OUTER	2	
20	87-1970	BEARING - REAR AXLE (3000/4000)	4	
21	92-4187	CROSS & BEARING KIT (3000/4000/HD/HDX/HDX-D)	4	
22	251-8	BEARING - TRANSAXLE (300/400/HD/HDX/HDX-D)	1	
23	251-82	BEARING - HYDRAULIC PUMP DRIVE (3000/4000)	2	
24	251-307	ORDER 251-259	1	
24	251-259	BEARING (NEUTRAL ARM - 1100/1110/2100/2110/MD/MDX)	1	
25	110-2538	BEARING - CLUTCH (3000/4000/HD/HDX/HDX-D - 2006 & UP)	1	
26	251-82	BEARING - BALL (1000/2000/MD/MDX/MDE STEERING)	2	
27	38-7820	BEARING - BALL (1000/2000/MD/MDX/MDE STEERING)	2	
	251-346	BEARING - BALL (3100/3200/4200/4300/HD/HDX)	2	
28	75-6820	HOUR METER (1993-03)	1	
29	256-115	WASHER - THRUST STEERING	2	
30	44-2230	ORDER 115-4523	2	
30	115-4523	COUPLING - HYDRAULIC PUMP DRIVE	2	
31	125-9249	SPACER - COUPLING	4	
32	242-50	LUG NUT - 1/2"-20 (1000/2000/MD/MDX/HD/HDX/HDX-D)	10	
*	125-9139	SPARK PLUG (HDX (2013 & UP)		
33	92-2025	ALTERNATOR (3210/3220/3420)	1	
33	67-4630	ALTERNATOR (3300D/4300D 1993-1998)	1	
33	100-9394	ALTERNATOR (3300D/4300D 1998-2001)	1	
33	99-9209	ALTERNATOR (3300D/4300D 2002 & UP)	1	
33	92-2025	ALTERNATOR (3200/4200 1993-2001)	1	
33	99-9209	ALTERNATOR (3200/4200 2002 & UP)	1	
34	99-7108	ORDER 119-9545		
34	131-8444	STARTER/GENERATOR (1100/1110/2100/2110/MD/MDX)	1	
34	115-9473	ALTERNATOR (HDX/HDX-D 2009-2013)		
34	121-6288	STARTER (3210/3220/3420)	1	
34	112-1350	STARTER (3310D/3320D)	1	
34	112-1350	STARTER (3300D/4300D 1993-2001)	1	
34	110-2598	STARTER (3300D/4300D 2002 UP & HDX/HDX-D)	1	
34	121-6288	STARTER (3200/4200 1993-2001)		
34	110-2598	STARTER (3200/4200 2002 & UP)	1	
*	106-2416	AIR CLEANER ASM (3200/3300/4200/4300D/HDX)	1	
	108-3811	AIR FILTER (GTX)	1	
	131-8589	SPARKPLUG (GTX)	1	
	56-6360	FUEL FILTER (GTX)	1	

*Not illustrated. **See pages 18-34 for Kit contents.

Prices subject to change without notice. NOTE: Please see your Parts Catalog or Master Parts Viewer to ensure ordering the correct part; the part needed may not be listed. **Not sold separately.

UTILITY VEHICLES & TURF EQUIPMENT

MULTI PRO®

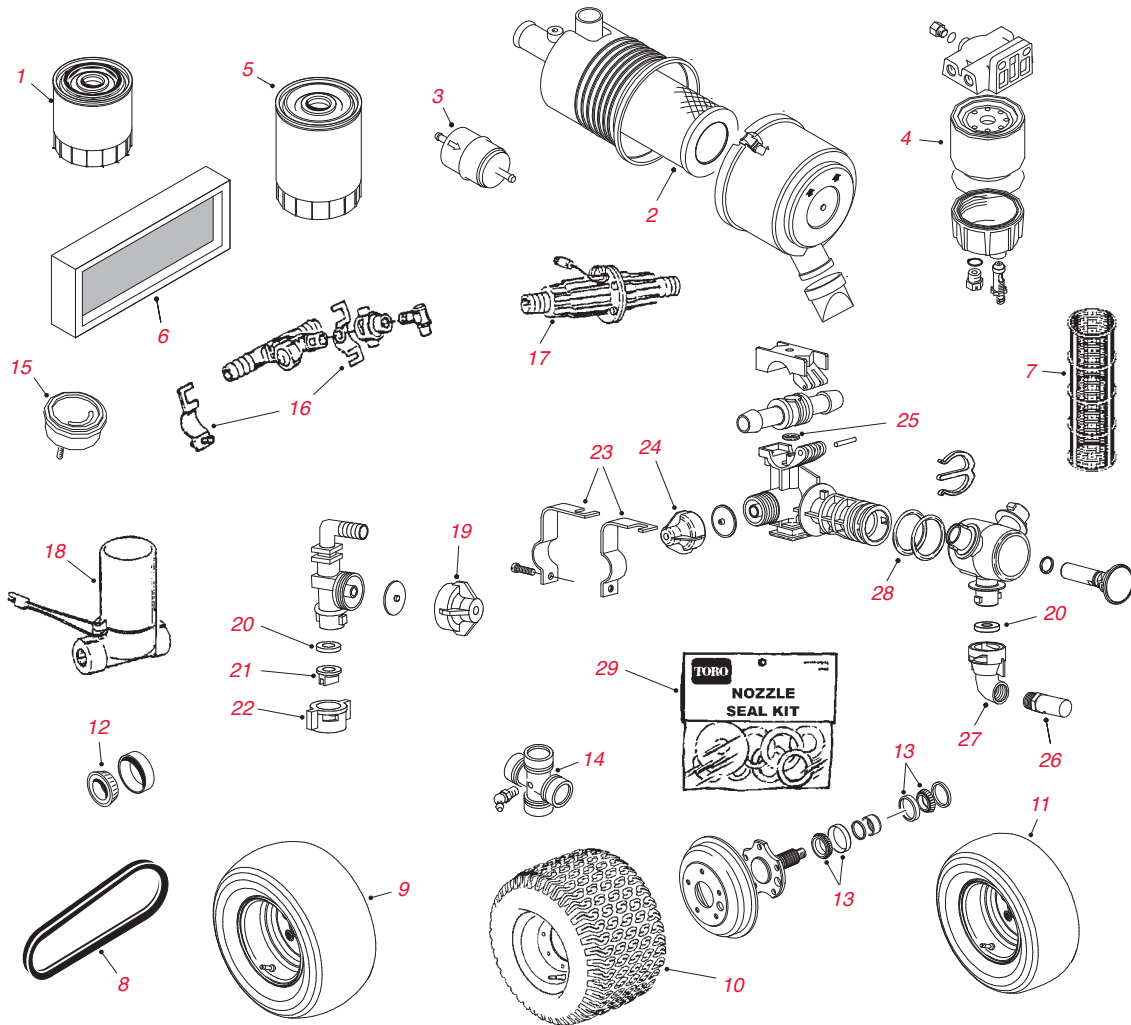


Ref. No.	Part No.	Description	Qty.	Sale Price
1	108-3841	FILTER - ENGINE OIL (5700D/5800D)	1	
1	108-3847	FILTER - ENGINE OIL (1100/1200/1250/1750)	1	
1	95-3304	ORDER 108-3817	1	
1	108-3817	FILTER - ENGINE OIL (5500/5600)	1	
2	41905	ORDER 106-4904	1	
2	106-4904	ELEMENT - AIR FILTER (5200/5900/5600)	1	
2	108-3810	ELEMENT - AIR FILTER (5700D, 5800D)	1	
3	41770	ORDER 108-3854	1	
3	108-3832	ORDER 108-3854	1	
3	108-3854	FILTER - FUEL (5200/5500/5600)	1	
3	98-7612	FILTER - FUEL, PLASTIC (5700D)	1	
3	108-3828	FILTER - FUEL, METAL (5700D)	1	
4	98-9764	FILTER - WATER SEPARATOR (5700D 2004-2007)	1	
4	110-9049	FILTER - WATER SEPARATOR (5700D 2008 & UP/5800D)	1	
*	112-9140	BIO-DIESEL FUEL FILTER KIT (5700D)	1	
*	112-8400	BIO-DIESEL FUEL PUMP KIT (5700D)	1	
*	112-7836	IN-LINE FUEL FILTER (BIO-DIESEL KIT 5700D)	1	
*	110-9015	ELEMENT - SEPARATOR (BIO-DIESEL KIT 5700D)	1	
*	104-9318	ORDER 108-0638	1	
*	108-0638	BOTTLE OVERFLOW	1	
5	92-3863	ORDER 112-8401	1	
5	112-8401	FILTER- HYDRAULIC OIL (1100)	1	

*Not illustrated. **See pages 18-34 for Kit contents.

UTILITY VEHICLES & TURF EQUIPMENT

MULTI PRO®



1200/1250 Turf Sprayer

Ref. No.	Part No.	Description	Qty.	Sale Price
*	100-8372	BELT-STEERING	1	
*	117-5896	BELT-CVT	1	
*	100-6992	ELEMENT-FILTER, RED	1	
*	115-7854	FILTER-FUEL, INLINE	1	
*	100-6991	ELEMENT-FILTER, GREEN	1	
*	100-8642	SCREEN-SUCTION	1	
*	54-0110	FILTER-OIL, TRANSMISSION	1	
*	108-3263	Turret Seal Repair Kit, Multi-Pro 1200, 1250, 5700-D and Workman 200 S	1	
*	54-9180	U-JOINT KIT	1	
*	110-5132	TIRE-Rear, (24 x 13 - 12) 6-Ply, Ultra Trac	2	
*	110-5133	TIRE-Front, (18 x 9.5 - 8) 4-Ply, Smooth	2	

1750 Turf Sprayer

Ref. No.	Part No.	Description	Qty.	Sale Price
*	251-82	BEARING-HYDRAULIC PUMP DRIVE	1	
*	251-8	BALL BEARING	1	
*	92-4187	CROSS & BEARING KIT	1	
*	254-72	BEARING CUP-TAPERED	1	
*	110-2538	BEARING-RELEASE, CLUTCH	1	
*	251-346	BEARING (Qty 2) GEAR SHAFT ASM	1	
*	254-107	BEARING-CUP	1	
*	54-0110	FILTER-OIL, TRANSMISSION	1	
*	108-3847	FILTER-ENGINE, OIL	1	
*	115-7854	IN-LINE FUEL FILTER	1	
*	108-6945	SPARK PLUG	1	
*	125-0765	BELT-SYNCHRONOUS	1	
*	106-6716	SEAL KIT-STEER VALVE	1	
*	110-5132	TIRE-REAR CHEVRON	2	
*	120-7639	TIRE-FRONT	2	

5800 Turf Sprayer

Ref. No.	Part No.	Description	Qty.	Sale Price
*	98-9676	V-BELT	1	
*	100-6992	ELEMENT-FILTER, RED	1	
*	108-3810	FILTER-AIR	1	
*	108-3841	FILTER-OIL	1	
*	110-9049	FILTER-SPIN ON	1	
*	100-6991	ELEMENT-FILTER, GREEN	1	
*	100-8642	SCREEN-SUCTION	1	
*	75-1310	ELEMENT-FILTER	1	
*	125-2902	FILTER-FUEL (2015 GASOLINE UNIT)	1	
*	110-9044	SEPARATOR FILTER ASM	1	
*	75-1310	FILTER-HYD	1	
*	120-0781	ROD-CONNECTING	1	
*	117-5196	TIRE - Rear (26.5 x 14 - 12) 2-Ply, Turf Trac	2	
*	119-6021	TIRE - Front (23 x 10.5 - 12) 4-Ply, Turf Trac	2	

TRAILER SPRAYERS

*	95-3465	TIRE (29 X 14 - 15) 6-PLY ULTRA-TRAC (300T)	2	
*	99-0853	FILTER - NOZZLE, 50 MESH (50T/80T)	A/R	
*	100-6756	FILTER - PRESSURE (300T)	1	
*	99-0775	FILTER - SUCTION, 30 MESH (50T/80T)	1	
*	100-6991	FILTER - SUCTION, 30 MESH GREEN (300T)	1	
*	100-8642	FILTER - SUCTION, 50 MESH BLUE (300T)	1	
*	100-6992	FILTER - SUCTION, 80 MESH RED (300T)	1	

*Not illustrated. **See pages 18-34 for Kit contents.

Prices subject to change without notice. NOTE: Please see your Parts Catalog or Master Parts Viewer to ensure ordering the correct part; the part needed may not be listed. **Not sold separately.



SPECIALTY

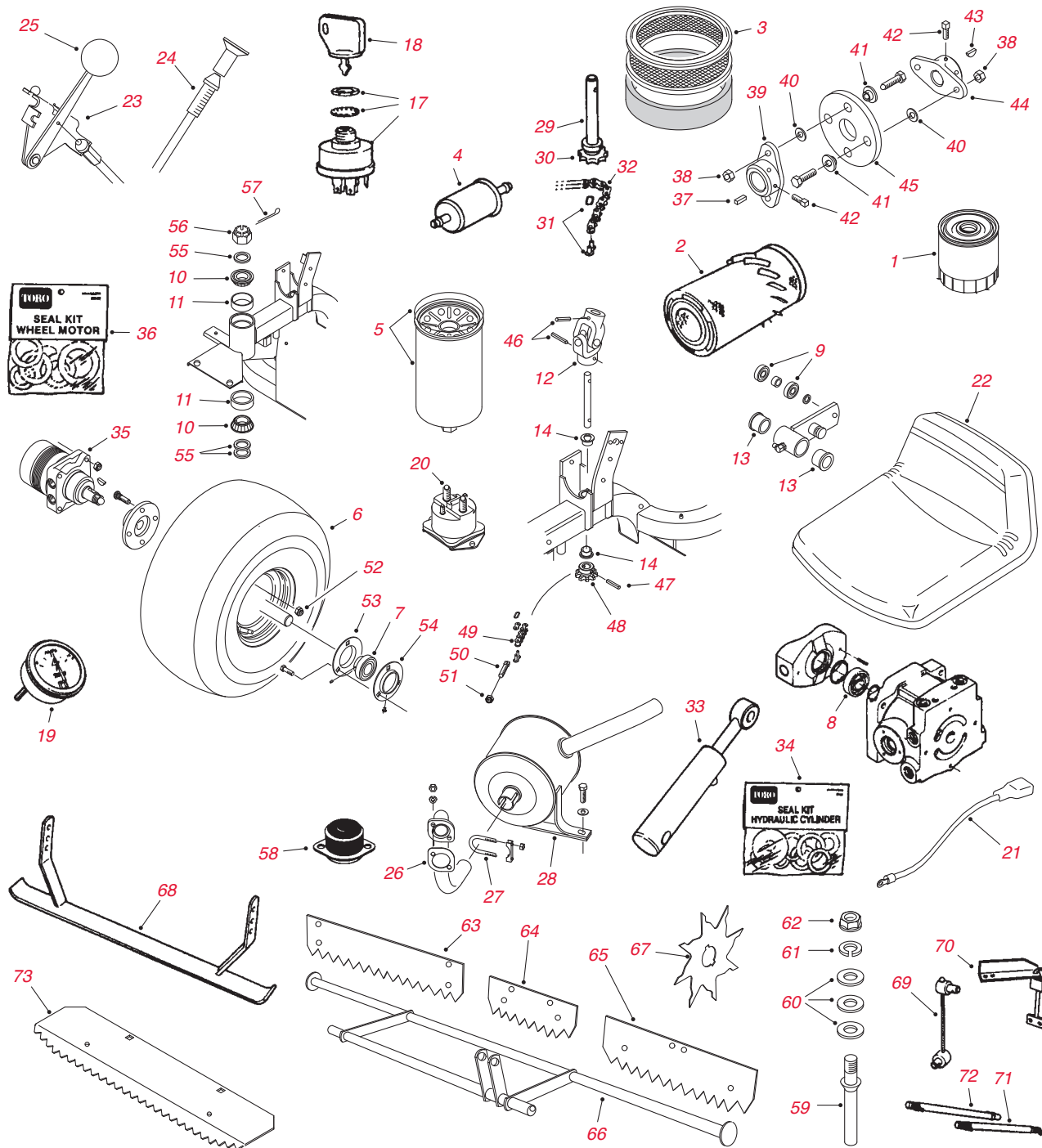


EQUIPMENT

- 298** SandPro™ / InfieldPro™
- 302** ProCore® Core Processor
- 304** Turf Equipment

SPECIALTY EQUIPMENT

SAND PRO® / INFIELD PRO®



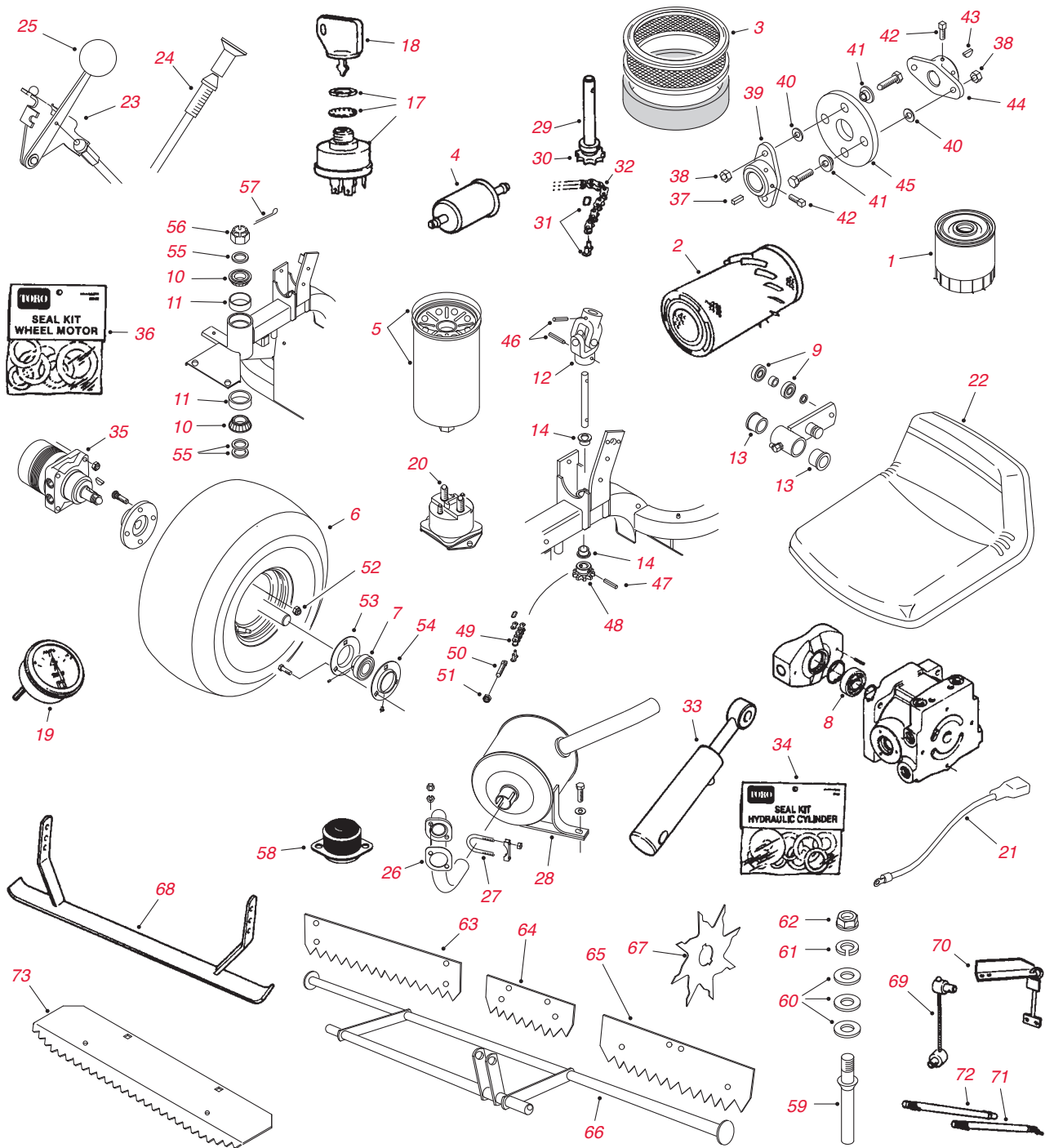
Sand Pro® / Infield Pro®

Ref. No.	Part No.	Description	Qty.	Sale Price
1	492932S	ORDER 107-7817	1	
1	107-7817	FILTER - ENGINE OIL (2020/3020/3040/5000/5020/5040)	1	
2	33-1300	ORDER 108-3808	1	
2	108-3808	AIR FILTER (12/14/2000)	1	
2	93-2195	ORDER 108-3811	1	
2	108-3811	ELEMENT - AIR CLEANER	1	
3	92-0527	AIR FILTER ELEMENT (2020/3020/5000/5020)	1	
4	18-1520	ORDER 108-3831	1	
4	99-9403	ORDER 108-3831	1	
4	108-3831	FILTER - FUEL (2000/3000)	1	

SPECIALTY EQUIPMENT
SAND PRO® / INFIELD PRO®

SPECIALTY EQUIPMENT

SAND PRO® / INFIELD PRO®



Sand Pro® / Infield Pro® - continued

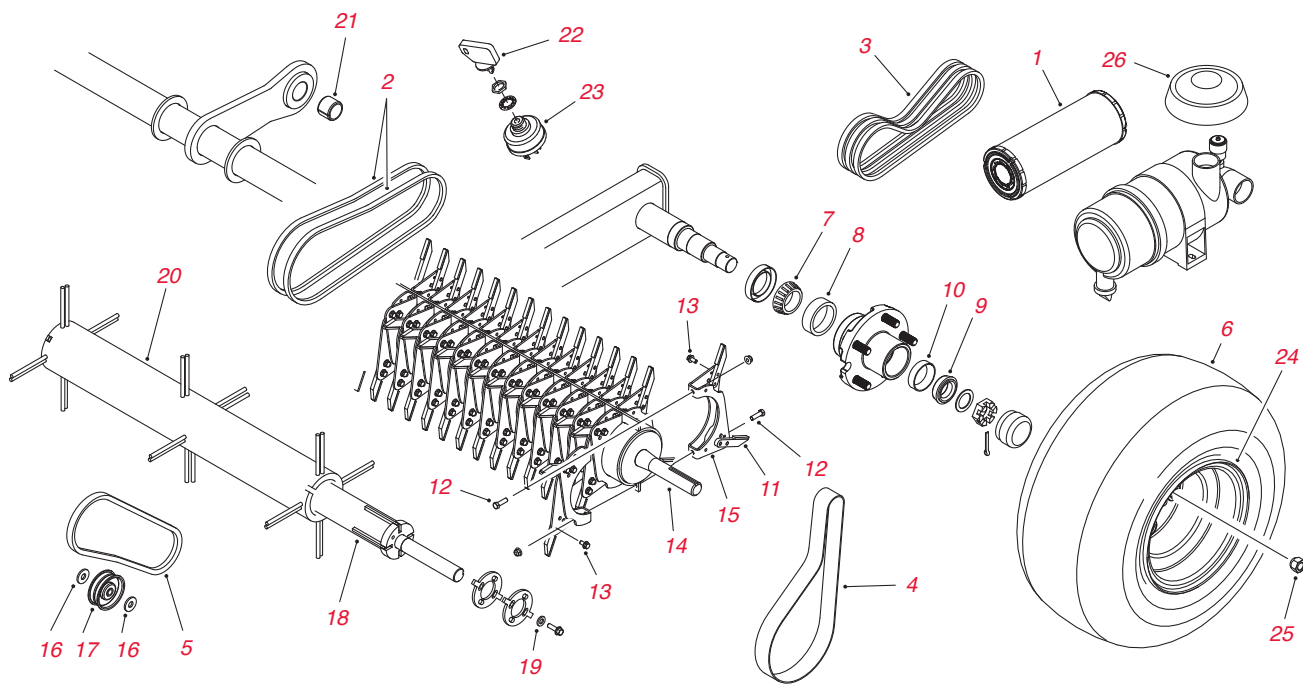
Ref. No.	Part No.	Description	Qty.	Sale Price
36	76-0800	SEAL KIT (FOR MOTOR 75-9990)	1	
36	94-8178	SEAL KIT (75-9830/75-9831/75-9840/97-3055/98-0958/98-0959)	1	
37	10-7070	KEY - SQUARE	1	
38	3296-29	NUT - LOCK	4	
39	27-1960	ORDER 110-5236	1	
39	110-5236	HUB - ENGINE	1	
40	3256-23	WASHER - FLAT	4	
41	125-9249	SPACER - COUPLING	4	
42	3241-5	SCREW - SQUARE HD SET	4	
43	3257-32	KEY - WOODRUFF	1	
44	49-9600	ORDER 110-9695	1	
44	110-9695	HUB - PUMP	1	
45	27-6560	ORDER 115-4523	1	
45	44-2230	ORDER 115-4523	1	
45	115-4523	COUPLING-HYD PUMP	1	
46	32121-15	PIN - SPRING	2	
47	32121-16	PIN - ROLL	1	
47	32121-112	PIN - ROLL (5000)	1	
48	85-9180	SPROCKET - STEERING	1	
49	85-8030	CHAIN - STEERING	1	
50	18-6380	PIN - STEERING ADJUST	2	
51	3296-4	NUT - LOCK	2	
52	242-50	NUT - LUG	12	
53	85-8950	FLANGETTE	1	
54	85-8940	FLANGETTE - RELUBE	1	
55	18-6320	WASHER	3	
56	32136-9	NUT - HEX SLOTTED	1	
57	3272-37	PIN - COTTER	1	
58	83-1031	MOUNT - ENGINE (5000/5020)	4	
59	88-8450	PRONG - RAKE	27	
59	42-1940	PRONG - RAKE	24	
60	3256-24	WASHER - FLAT	A/R	
61	3253-21	WASHER - LOCK	A/R	
62	3217-7	NUT - HEX	A/R	
63	77-5100-01	DRAG PLATE - MAIN (SAND PRO 2000)	4	
64	18-7580	ORDER 77-5090-01	3	
64	77-5090-01	DRAG PLATE - SECONDARY	3	
65	18-7640	ORDER 77-5080-01	2	
65	77-5080-01	DRAG SWIVEL	2	
67	20-7380-01	BLADE - SPIKER	A/R	
69	20-4670	DRAG CABLE ASSEMBLY	14	
70	18-7660-01	SWIVEL BRACKET	2	
71	18-7530	BALL JOINT - RAKE	8	
72	18-7550	ORDER 18-7530	8	
73	84-2280-03	RAKE - FINISHING	5	
*	120-5772	BELT-V	1	
*	125-6438	ELEMENT-FILTER, AIR	1	
*	119-5852	FILTER-OIL	1	
*	115-7854	FILTER-FUEL, INLINE	1	
*	121-4570	FILTER-FUEL	1	
*	114-3494	ELEMENT-FILTER, 25 MICRON	1	
*	127-0381	INNER FILTER KIT	1	
*	08725**	400 Hour Maintenance Kit SP2040Z	A/R	
*	125-6406	TIRE (16 X 7.5 - 8)4-PLY; TURF TRAC (2040Z)	2	
*	125-6465	TIRE (25 X 12 - 9) 3-PLY; TURF TRAC (2040Z)	2	
*	70-9870	PLATE-BACKING	1	

*Not illustrated. **See pages 18-34 for Kit contents.

Prices subject to change without notice. NOTE: Please see your Parts Catalog or Master Parts Viewer to ensure ordering the correct part; the part needed may not be listed. **Not sold separately.

SPECIALTY EQUIPMENT

PROCORE® CORE PROCESSOR



Sand Pro® / Infield Pro® - continued

Ref. No.	Part No.	Description	Qty.	Sale Price
*	120-3407	SERVICE ENGINE KIT (SP 3040 2006-2010)	1	
*	120-3404	BLOCK-GUIDE (SP 3040 /5040 2011 & UP)	1	
*	120-3403	ENGINE INSTALLATION ASM (SP 5040 2011 & UP)	1	
*	85-0160-03	WEEDER ASM	1	
*	132-4351	REPLACEMENT HYDROSTATE ASM (SP 2020/3020)	1	
*	51-0780	SLIDER-SEAT	1	
*	51-0790	ADJUSTER-SEAT, LH	1	
*	95-8836	HOSE ASM, MOTOR ASM	1	

Procore® Core Processor

Ref. No.	Part No.	Description	Qty.	Sale Price
1	108-3810	ELEMENT - AIR FILTER	1	
	110-2976	ORDER 115-8957		
2	115-8957	V- BELT - CHOPPER DRIVE MATCH SET OF 2	2	
3	110-2772	V-BELT - ENGINE DRIVE (SET OF 3)	1	
4	112-4254	BELT - BRUSH DRIVE	1	
5	115-2951	V-BELT - CORNER SHAFT	1	
6	114-7741	TIRE (18 x 9.5 - 8) 6-PLY TURF-TRAC	2	
7	254-106	BEARING CONE - INNER	2	
8	254-107	BEARING CUP - INNER	2	
9	254-92	BEARING CONE - OUTER	2	
10	254-72	BEARING CUP - OUTER	2	
11	114-3920	ORDER 110-2730	124	
11	110-2730	TIP - CHOPPER	124	
12	323-7	SCREW - CAP HEX HD	62	
13	114-7728	SCREW	248	
14	114-7606	CHOPPER AXLE ASSEMBLY	1	
15	114-7614	BLADE - BENT	62	
16	80-6990	WASHER - HARDENED	2	
17	3-4244	PULLEY - CORNER SHAFT IDLER	1	
18	114-7715	AXLE - BRUSH	1	

*Not illustrated. **See pages 18-34 for Kit contents.

Prices subject to change without notice. NOTE: Please see your Parts Catalog or Master Parts Viewer to ensure ordering the correct part; the part needed may not be listed. **Not sold separately.

Procore® Core Processor - continued

Ref. No.	Part No.	Description	Qty.	Sale Price
19	110-2908	BRUSH - SWEEPER	2	
20	80-6990	WASHER-HARDENED	4	
21	98-4871	BUSHING - SLEEVE	2	
22	63-8360	KEY - IGNITION	1	
23	83-0020	SWITCH - IGNITION	1	
	114-7742	ORDER 119-3010		
24	119-3010	RIM - WHEEL	2	
25	242-50	NUT - LUG	10	
26	105-2539	CAP - AIR FILTER ASSEMBLY	1	

*Not illustrated. **See pages 18-34 for Kit contents.

Prices subject to change without notice. NOTE: Please see your Parts Catalog or Master Parts Viewer to ensure ordering the correct part; the part needed may not be listed. **Not sold separately.

SPECIALTY EQUIPMENT

TURF EQUIPMENT

Turf Equipment

Ref. No.	Part No.	Description	Qty.	Sale Price
LINE PAINTER 1200				
*	108-3842	FILTER - ENGINE OIL	1	
*	30036**	400 Hour Filter MVP Kit	A/R	
*	108-2604	FILTER - AIR CLEANER ELEMENT (MAIN)	1	
*	108-2603	FILTER - AIR CLEANER ELEMENT (FOAM)	1	
RAKE-O-VAC				
*	115-9022	FINGER - NYLON	A/R	
*	13-3090	SPRING - RAKE TEETH	A/R	
*	11-9760	ORDER 49-2040	A/R	
*	49-2040	SCREW	A/R	
*	2710-11	CONNECTING LINK	1	
*	108-3808	ELEMENT - REMOTE AIR FILTER	1	
*	108-3854	IN-LINE FUEL FILTER	1	
*	119-6225	TIRE (11L-15SL)	2	
*	108-3847	OIL FILTER	1	
RAKE-O-VAC-SWEEPER				
*	13-2650	V-BELT, ENGINE & CLUTCH AND MUFFLER ASSEMBLY	1	
*	93-0183	V-BELT, IMPELLER: ENGINE, CLUTCH AND MUFFLER ASSEMBLY	1	
*	93-4034	V-BELT, GUARD ASSEMBLY	1	
*	119-6225	TIRE TIRE (11L-15SL)	2	
*	254-62	ROLLER-BEARING, CONE (WHEEL HUB ASM)	2	
*	254-65	ROLLER-BEARING, CONE (WHEEL HUB ASM)	2	
*	254-66	ROLLER-BEARING, CUP (WHEEL HUB ASM)	2	
*	115-9471	ROLLER-BEARING, CUP (WHEEL HUB ASM)	2	
*	56-6220	BEARING - BLOWER FAN & THROAT FLAP ASM	2	
*	56-6230	ROLLER-BEARING (RAKE ASM) & GUARD ASM	2	
*	107-1054	BEARING- CLUTCH ASM	1	
*	107-1078	BEARING- CLUTCH ASM	1	
TURF SWEEPER 4800				
*	01-279-0010	FINGER - RUBBER	A/R	
*	01-269-0320	ORDER 119-6343		
*	119-6343	TIRE - FRONT (18 X 8.5 - 8) 4-PLY	2	
*	95-0177	TIRE - REAR (18 X 9.5 - 8) 4-PLY	2	
*	01-317-0240	HYDRAULIC OIL FILTER (1992-95)	1	
*	23-9740	HYDRAULIC OIL FILTER (1997 & UP)	1	
*	70-9870	PLATE-BACKING	1	
*	104-4620	SEAT-STD	1	
PROSWEEP 5200				
*	117-5196	TIRE (26.5 x 14 - 12) 2-Ply; Turf Trac	2	
PRO FORCE DEBRIS BLOWER				
*	112-1853	BELT-V	1	
*	115-7854	FILTER-FUEL, INLINE	1	
*	120-2235	FILTER-FUEL	1	
*	99-4506	TIRE (20 x 10 - 8) 4-Ply; TURF MATE	2	
*	117-5115	HUB & BEARING ASM	2	
TOP DRESSER				
*	01-269-0320	ORDER 119-6343		
*	119-6343	TIRE - FRONT (18 X 8.5 - 8) 4-PLY	2	
*	106-9691	TIRE (18 X 9.5 - 8) 4-PLY RIBBED (2500)	2	
*	01-317-0240	HYDRAULIC OIL FILTER (2300 1994 & UP)	1	

*Not illustrated. **See pages 18-34 for Kit contents.

Prices subject to change without notice. NOTE: Please see your Parts Catalog or Master Parts Viewer to ensure ordering the correct part; the part needed may not be listed. **Not sold separately.

Turf Equipment - continued

Ref. No.	Part No.	Description	Qty.	Sale Price
<i>GREENSPRO™ 1200 GREENS ROLLER</i>				
*	63-07-009	ORDER 127-5897		
*	127-5897	BEARING - STEERING ROLLER ASM & LIFT MECHANISM ASM	4	
*	111-5758	BEARING - DRIVE ROLLER ASM	2	
*	111-5719	COMPLETE LONG STEERING ROLLER ASM	1	
*	127-8001	COMPLETE SHORT STEERING ROLLER ASM	1	
*	111-5755	TIRE (16 X 6.5-8) 4-PLY, TURF	1	
<i>HOVERPRO 400/450/500</i>				
*	111-1381	DISC-CUTTING (HP400)	1	
*	H292327	BLADE-PLASTIC (HP 450/500)	2	
<i>PROSTRIPE 560</i>				
*	411024	BELT-VARIATOR (520)	2	
*	560031W	ROLLER-REAR	2	
*	111-1717	SHAFT-ROLLER	1	
*	111-1276	BEARING - LOWER ASM	4	
*	111-1492	ROLLER BEARING - LOWER ASM	2	

*Not illustrated. **See pages 18-34 for Kit contents.

Prices subject to change without notice. NOTE: Please see your Parts Catalog or Master Parts Viewer to ensure ordering the correct part; the part needed may not be listed. **Not sold separately.

SPECIALTY EQUIPMENT

NOTES



PARTS LIST

PARTS LIST

Part No.	Sale Price	Part No.	Sale Price	Part No.	Sale Price	Part No.	Sale Price
01-100-0260		100-4181		100-7126		104-1392	
01-264-0230		100-4194		100-7132		104-1806	
01-279-0010		100-4240		100-7136		104-1810	
01-283-0030		100-4815		100-7140		104-1830	
01-283-0040		100-4817		100-7599		104-1834	
01-283-0090		100-4824		100-7617		104-1835	
01-317-0240		100-4825		100-7618		104-1844	
08725		100-4866		100-7621		104-2024	
1-513374		100-4869		100-7644		104-2054	
1-603299		100-4872		100-7695		104-2055	
1-603903		100-4892		100-8011		104-2056	
1-806003		100-4918		100-8070		104-2057	
10-4930-01		100-4926		100-8071		104-2065	
10-5010		100-4928		100-8072		104-2067	
10-5060		100-4929		100-8327		104-2071	
10-5080-01		100-4959		100-8329		104-2078	
10-6090		100-4992		100-8372		104-2091	
10-6821		100-4994-01		100-8642		104-2092	
10-6830		100-5024		100-9237		104-2541	
10-6850		100-5384		100-9394		104-2547	
10-6870-03		100-5386		100-9818-01		104-2602-03	
10-7070		100-5392		100-9819		104-2607	
10-7130		100-5396		100-9821		104-2609	
10-7240		100-5414		100-9900		104-2610	
10-7640		100-5415		100-9905-03		104-2611	
10-7670		100-5416		100-9906		104-2612	
10-7820		100-5417		100-9910-03		104-2628	
10-8100-01		100-5418		100-9943-03		104-2632	
10-8110		100-5419		100-9993		104-2640	
10-8140		100-5420		103-0384		104-2642	
10-8200		100-5421		103-2897		104-2646	
10-8220		100-5582		103-2898		104-3355	
10-9090		100-5703		103-6771		104-3357	
100-1270		100-5704		103-9511		104-3365	
100-2261-01		100-5705		104-0015		104-3366	
100-2262-01		100-5709		104-0046		104-3369	
100-2263		100-5762		104-0080		104-3373-01	
100-2267-01		100-5799		104-0422		104-3375-01	
100-2268-01		100-5832		104-0462		104-3388	
100-2276		100-6178		104-0485-03		104-3394	
100-2287		100-6193		104-0532		104-3396	
100-2289		100-6400		104-0538		104-3398	
100-2348		100-6431		104-0540		104-3399	
100-2536		100-6434		104-0545		104-3494	
100-2538		100-6435		104-0546		104-3541	
100-2582		100-6440		104-0762-01		104-3542	
100-2588		100-6443-01		104-0972		104-3546	
100-3192		100-6446-01		104-0984		104-3547	
100-3350		100-6447		104-1093		104-3548	
100-3380		100-6448		104-1156		104-3554	
100-3381		100-6449		104-1301		104-3661	
100-3620		100-6756		104-1303		104-3797	
100-3621		100-6991		104-1304		104-4046	
100-3693		100-6992		104-1379		104-4212	
100-3694		100-7100		104-1380		104-4299	
100-3695		100-7105		104-1381		104-4569-03	
100-3696		100-7106		104-1385		104-4620	
100-3814		100-7113-01		104-1386-03		104-4623-01	
100-3833		100-7123		104-1388		104-4727	
100-4161		100-7124-01		104-1389-03		104-4754	

PARTS LIST

Part No.	Sale Price	Part No.	Sale Price	Part No.	Sale Price	Part No.	Sale Price
104-4809		105-0451		105-4347		105-8252-03	
104-4817		105-0452		105-4549		105-8288	
104-4821		105-0463-01		105-4579		105-8289	
104-4840		105-0464-03		105-5342		105-8524	
104-4852-03		105-0494		105-5379		105-9156	
104-4890		105-0499-03		105-5392		105-9159	
104-5169		105-0836		105-5394		105-9612	
104-5183		105-0965		105-5400		105-9613-01	
104-5207		105-0989		105-5401		105-9614-01	
104-5214		105-0991		105-5402		105-9616-01	
104-5215		105-1032-03		105-5404		105-9632	
104-5428		105-1036-03		105-5405		105-9635	
104-5429		105-1038-03		105-5409		105-9767	
104-5460-03		105-1045-03		105-5421-01		105-9770	
104-6126		105-1098-03		105-5430		105-9810-03	
104-7064		105-1099		105-5444		105-9816	
104-7179		105-1180		105-5445		105-9912	
104-7201		105-1184		105-5700		105-9926	
104-7546		105-1214		105-5706		105-9928-01	
104-7705		105-1221		105-5708		105-9930-01	
104-7706		105-1222		105-5709		105-9935	
104-7707		105-1230		105-5719		105-9943	
104-7708		105-1686		105-5720		105-9945	
104-7719		105-1904		105-5722		106-0003	
104-7738		105-2409		105-5729		106-0005	
104-7851		105-2539		105-5730		106-0006	
104-8215		105-2570-01		105-5736		106-0022	
104-8216		105-2573-01		105-5740		106-0023	
104-8219		105-3048		105-5761		106-0631	
104-8300		105-3693		105-5769		106-1025	
104-8301		105-3800		105-5770		106-1026	
104-8322		105-3820		105-5774		106-1080-03	
104-9312		105-3821		105-5775		106-1082	
104-9314		105-3822		105-5795		106-1085-03	
104-9317		105-3823		105-5797		106-1128	
104-9447		105-3824		105-5799		106-2416	
104-9480		105-3825		105-6755		106-2600-01	
104-9483		105-3826		105-6758		106-2603	
104-9492-03		105-3827		105-6759		106-2607	
104-9875		105-3833		105-6761		106-2619	
104-9876		105-3834		105-6785		106-2630	
104-9877		105-3835		105-6792		106-2633	
104-9914		105-3836		105-7269		106-2646	
105-0000		105-3838		105-7270		106-2648-01	
105-0023		105-3912		105-7271		106-3621	
105-0131		105-4005-01		105-7272		106-3622	
105-0139		105-4006-01		105-7441		106-3669	
105-0140		105-4007-01		105-7507		106-3670	
105-0150		105-4011-03		105-7576		106-3671	
105-0156		105-4017		105-7577		106-3672	
105-0158		105-4021		105-7900		106-3680	
105-0171-03		105-4232		105-7901		106-3691	
105-0172		105-4320		105-7902		106-3692	
105-0173		105-4332		105-7903		106-3693	
105-0177		105-4333		105-7941		106-3712-03	
105-0191		105-4336		105-8075		106-3713	
105-0194		105-4337		105-8076		106-3719	
105-0195-01		105-4339		105-8095-01		106-3731	
105-0198		105-4340		105-8118		106-3840	
105-0199-01		105-4342		105-8120		106-3874	

PARTS LIST

Part No.	Sale Price	Part No.	Sale Price	Part No.	Sale Price	Part No.	Sale Price
106-3875		106-8470		107-2561		107-7447	
106-3924		106-8471		107-2563		107-7589	
106-3925		106-8482		107-2564		107-7590	
106-3937		106-8489		107-2565		107-7773	
106-4154		106-8511		107-2577		107-7777-01	
106-4167		106-8513		107-2598		107-7779-01	
106-4192		106-8521		107-2599		107-7795	
106-4214		106-8527		107-2951		107-7796	
106-4353-03		106-8528		107-2954		107-7817	
106-4383		106-8529		107-2970		107-7828	
106-4616		106-8530		107-2979		107-8105	
106-4620		106-8535		107-2993-03		107-8107	
106-4668		106-8536		107-2996		107-8133	
106-4669		106-8540		107-2999		107-8181	
106-4675		106-8542		107-3205		107-8183-01	
106-4904		106-8625		107-3206		107-8184-01	
106-5277		106-8871		107-3207		107-8186-01	
106-5336		106-8872		107-3216		107-8188	
106-5344		106-9004		107-3224		107-8190-01	
106-5354		106-9064		107-3227		107-8844	
106-5363		106-9066		107-3228		107-9091	
106-5366-01		106-9518		107-3233		107-9519	
106-5384		106-9605		107-3237		107-9531	
106-5388		106-9606		107-3238		108-0015	
106-5408		106-9607		107-3244		108-0573-01	
106-5409		106-9618		107-3258		108-0617	
106-5422		106-9623		107-3273-01		108-0800	
106-6355		106-9627		107-3275		108-0989	
106-6362		106-9674		107-3276		108-1176	
106-6392		106-9691		107-3279		108-1370	
106-6394		106-9758		107-3280		108-1450	
106-6395		106-9888		107-3281		108-1451	
106-6396		107-0214-03		107-3296		108-1452	
106-6716		107-0215-03		107-3299-03		108-1453	
106-6754		107-0216-03		107-3376		108-1454	
106-6774		107-0217-03		107-3399		108-1462	
106-6895-03		107-0235-03		107-3505		108-1463	
106-6914		107-1054		107-3526		108-1464	
106-6915		107-1078		107-3532		108-1477	
106-6917		107-1135		107-3533		108-1478	
106-6926		107-1588		107-3540-03		108-1483	
106-6927		107-1589		107-3543-01		108-1600	
106-6929		107-1590		107-4001		108-1602	
106-6937		107-1591		107-4024		108-1605	
106-6941		107-1592		107-4026		108-1606-03	
106-6942		107-1593		107-4027		108-1607-03	
106-7159		107-1594		107-4028		108-1617-03	
106-7166-03		107-1595		107-4040		108-1625	
106-7536		107-1598		107-4501-01		108-1640	
106-7868		107-1997		107-4513		108-1641	
106-8417		107-2043-03		107-4517-03		108-1642	
106-8428		107-2052		107-4543		108-1643	
106-8429		107-2062		107-4545		108-1665-03	
106-8437		107-2077		107-4546-03		108-1666-03	
106-8448		107-2084		107-4547		108-1671-01	
106-8450		107-2152		107-4738		108-1672	
106-8454		107-2550		107-4788		108-1679	
106-8459		107-2552-01		107-7400		108-1683	
106-8463		107-2553		107-7409		108-1685	
106-8468		107-2554		107-7433		108-1686	

PARTS LIST

Part No.	Sale Price	Part No.	Sale Price	Part No.	Sale Price	Part No.	Sale Price
108-1689		108-3810		108-4975		108-7604	
108-1691		108-3811		108-4977		108-7605	
108-1693		108-3812		108-4978		108-7628	
108-1695		108-3813		108-4991		108-7629	
108-1696		108-3814		108-4994		108-7630	
108-1697		108-3815		108-5194		108-7632	
108-1698		108-3816		108-5431		108-7633	
108-1699		108-3817		108-5432		108-7639-03	
108-1700		108-3818		108-5472		108-7641	
108-1701		108-3828		108-5477		108-7643	
108-1702		108-3831		108-5481		108-7662	
108-1703		108-3833		108-5482		108-7903	
108-1704		108-3835		108-5483		108-7906-01	
108-1705		108-3837		108-5484		108-7909-03	
108-1708		108-3841		108-5490-03		108-7913	
108-1710		108-3842		108-5498-01		108-7931-03	
108-1711		108-3847		108-6094		108-7935-03	
108-1712		108-3854		108-6475		108-7941	
108-1713		108-4000		108-6496		108-7942	
108-1714		108-4004		108-6505		108-7965	
108-1720		108-4172		108-6508		108-7977-03	
108-1721		108-4176		108-6538		108-7979-03	
108-1745		108-4190		108-6539		108-7983	
108-1757		108-4193		108-6542		108-7986-03	
108-1782		108-4197		108-6543		108-7987	
108-1783		108-4200		108-6544		108-7991-03	
108-1785-03		108-4201		108-6590-03		108-7994	
108-1791		108-4205		108-6709		108-7995-03	
108-1799-03		108-4206		108-6713		108-7996	
108-1801-01		108-4207		108-6809		108-8076	
108-1802		108-4213		108-6837		108-8077	
108-1806-01		108-4214		108-6838		108-8401	
108-1814-03		108-4234		108-6846		108-8406	
108-1842		108-4269-01		108-6849-03		108-8409	
108-1843-03		108-4279		108-6855		108-8411	
108-1844		108-4284		108-6856		108-8414	
108-1954		108-4286		108-6859-01		108-8415	
108-1956		108-4289		108-6870-01		108-8416	
108-2124-03		108-4293		108-6878		108-8426	
108-2132		108-4302		108-6885		108-8428	
108-2282		108-4303		108-6895-01		108-8431	
108-2603		108-4334		108-6896-03		108-8432	
108-2604		108-4339		108-6898		108-8433	
108-2829		108-4391		108-6945		108-8440	
108-2872		108-4393		108-6980		108-8455-01	
108-2924		108-4436		108-6981		108-8457	
108-2936		108-4475-03		108-6983		108-8468	
108-2938		108-4477		108-7007		108-8470	
108-2947		108-4478		108-7387		108-8471	
108-2948		108-4480		108-7388		108-8474-01	
108-2949		108-4491		108-7389-03		108-8481	
108-3150		108-4495		108-7395-03		108-8482	
108-3151		108-4496		108-7550		108-8483	
108-3156		108-4497		108-7577-03		108-8625	
108-3162		108-4527-03		108-7582-03		108-8626	
108-3168		108-4957		108-7584-01		108-8642	
108-3263		108-4958		108-7585		108-8657	
108-3284		108-4959		108-7587		108-9026-03	
108-3808		108-4960		108-7591-03		108-9080	
108-3809		108-4961		108-7602		108-9081	

PARTS LIST

Part No.	Sale Price	Part No.	Sale Price	Part No.	Sale Price	Part No.	Sale Price
108-9082		108-9192		108-9261		110-0988	
108-9083		108-9193		108-9264		110-0991	
108-9084		108-9194		108-9265		110-0992	
108-9090-01		108-9195		108-9290		110-0993	
108-9095		108-9196		108-9293		110-0994	
108-9096		108-9197		108-9294		110-0995	
108-9104		108-9198		108-9296		110-0998	
108-9105		108-9199		108-9297		110-1322	
108-9106		108-9200		108-9298		110-1323	
108-9108		108-9201		108-9299		110-1325	
108-9109		108-9202		108-9955		110-1330	
108-9110		108-9203		109-0275		110-1332	
108-9112		108-9204		109-0294		110-1333	
108-9114		108-9205		109-0302		110-1368-01	
108-9116		108-9206		109-0304		110-1372	
108-9120		108-9207		109-0660		110-1700	
108-9122		108-9208		109966		110-1701	
108-9124		108-9209		11-0070		110-1706	
108-9128		108-9210		11-0160		110-1716	
108-9129		108-9211		11-5049		110-1718	
108-9130		108-9212		11-5059		110-1731-03	
108-9132		108-9213		11-5069		110-1734	
108-9133		108-9214		11-5079		110-1735	
108-9134		108-9215		11-5089		110-1740	
108-9135		108-9216		11-5820-01		110-1741	
108-9136		108-9217		11-6869		110-1742	
108-9137		108-9218		11-8960		110-1743	
108-9138		108-9219		110-0009		110-1745	
108-9139		108-9220		110-0259-03		110-1746	
108-9141		108-9221		110-0260-03		110-1747	
108-9143		108-9222		110-0485		110-2220	
108-9145		108-9223		110-0621-03		110-2221	
108-9147		108-9224		110-0622-03		110-2227	
108-9149		108-9225		110-0624-03		110-2300	
108-9151		108-9226		110-0906-01		110-2301	
108-9153		108-9227		110-0907-01		110-2333	
108-9155		108-9228		110-0913		110-2338	
108-9157		108-9229		110-0914		110-2381	
108-9159		108-9230		110-0915		110-2382	
108-9160		108-9231		110-0916		110-2389	
108-9161		108-9232		110-0917-01		110-2391	
108-9162		108-9233		110-0918-01		110-2393	
108-9163		108-9234		110-0919		110-2538	
108-9164		108-9235		110-0922		110-2598	
108-9165		108-9236		110-0928		110-2730	
108-9166		108-9237		110-0929		110-2772	
108-9167		108-9238		110-0930		110-2908	
108-9168		108-9239		110-0931		110-3257	
108-9170		108-9240		110-0938-01		110-3259	
108-9172		108-9241		110-0939-01		110-3285	
108-9174		108-9242		110-0947-03		110-3314	
108-9176		108-9243		110-0950		110-3315	
108-9178		108-9244		110-0951		110-3322-01	
108-9180		108-9245		110-0952-03		110-3364	
108-9182		108-9246		110-0966		110-3365	
108-9184		108-9247		110-0972		110-3371	
108-9186		108-9248		110-0973		110-3372	
108-9188		108-9249		110-0979-03		110-3380	
108-9190		108-9259		110-0984		110-3468-01	
108-9191		108-9260		110-0986		110-3469	

PARTS LIST

Part No.	Sale Price	Part No.	Sale Price	Part No.	Sale Price	Part No.	Sale Price
110-3796		110-5287		110-8878		110-9695	
110-3800		110-5288		110-8884		110-9713	
110-3951		110-5295-03		110-8885		110974	
110-3952		110-5297-03		110-8896		111-1276	
110-3953		110-5299-03		110-8910		111-1381	
110-3955		110-5310-01		110-8915		111-1492	
110-3986		110-5311		110-8917		111-1717	
110-4001		110-5313-03		110-8921		111-5755	
110-4015		110-5314		110-8924		112-0009	
110-4016		110-5323-03		110-8925		112-0153	
110-4053		110-5324		110-8928		112-0156	
110-4058		110-5331		110-8942		112-0175	
110-4060		110-5334-03		110-8943		112-0176	
110-4063-03		110-5335		110-8944		112-0177	
110-4064-03		110-5337		110-8946		112-0178	
110-4065		110-5339		110-8951-03		112-0205	
110-4066		110-5340		110-8953		112-0217-01	
110-4069		110-5343-03		110-8955		112-0220	
110-4074		110-5345		110-8964		112-0237	
110-4079		110-5688		110-8965		112-0238	
110-4084		110-5946-03		110-8966		112-0278	
110-4086		110-5948-03		110-8968-01		112-0289	
110-4100		110-6115-03		110-8971		112-0291	
110-4104		110-6116-03		110-8972		112-0298	
110-4109		110-6130		110-8974-03		112-1300	
110-4110		110-6140		110-8976		112-1301	
110-4113		110-6166		110-8977-03		112-1303	
110-4146		110-6186		110-8980-03		112-1304	
110-4252-03		110-6187		110-8981-03		112-1306	
110-4327		110-6303		110-8982		112-1307	
110-4368		110-6310		110-8999		112-1310	
110-4444		110-6311		110-9007-03		112-1311	
110-4555		110-6312-03		110-9011		112-1312	
110-4556		110-6314		110-9015		112-1313	
110-4635		110-6348-03		110-9021		112-1314	
110-4641		110-6460		110-9029		112-1316	
110-4692-03		110-6461		110-9035		112-1329	
110-4701		110-7350		110-9036		112-1330	
110-4702-03		110-7351		110-9037		112-1332	
110-4703-03		110-7352		110-9041		112-1338	
110-4767		110-7370		110-9044		112-1347	
110-4768		110-7500		110-9046		112-1348	
110-4769		110-8151		110-9049		112-1350	
110-4770		110-8181		110-9590		112-1351	
110-4771		110-8195		110-9591		112-1352	
110-4812		110-8297		110-9592		112-1353	
110-5132		110-8537		110-9593		112-1356	
110-5133		110-8751		110-9594		112-1357	
110-5227		110-8785		110-9595		112-1358	
110-5236		110-8786		110-9600		112-1359	
110-5251-03		110-8806		110-9602-03		112-1360	
110-5253-01		110-8813		110-9605		112-1364	
110-5254-01		110-8814		110-9609-03		112-1366	
110-5255		110-8851		110-9611		112-1480-01	
110-5256-01		110-8852		110-9612-03		112-1482-01	
110-5259-03		110-8856		110-9628		112-1704	
110-5269-03		110-8871		110-9629		112-1705	
110-5275		110-8872		110-9630		112-1707	
110-5276		110-8874-03		110-9631		112-1708	
110-5286		110-8876-01		110-9642		112-1711	

PARTS LIST

Part No.	Sale Price	Part No.	Sale Price	Part No.	Sale Price	Part No.	Sale Price
112-1718-01		112-8915		114-5412		115-5296	
112-1728		112-8916-03		114-5415		115-5300	
112-1731		112-8918		114-5417		115-5304	
112-1732		112-8942		114-5418-03		115-5305	
112-1733		112-8944-01		114-5419		115-5357-03	
112-1734		112-8956		114-5421		115-5471	
112-1735-01		112-8962-03		114-5422		115-5618	
112-1738		112-9130		114-5430		115-5647	
112-1740-03		112-9140		114-7606		115-6699	
112-1853		112-9170		114-7614		115-6743	
112-2511		112-9177		114-7715		115-6744	
112-2911		112-9181		114-7728		115-7039	
112-2912		112-9182		114-7741		115-7041	
112-2923		112-9188		114-7742		115-7193	
112-3131		112-9197		114-8857		115-7263	
112-3163		112-9275		114-8858		115-7354	
112-4254		112-9458		114-8859		115-7356	
112-5102		112-9469-01		114-8860		115-7360	
112-5103		112-9471		114-8868		115-7361	
112-5104		112-9586-03		114-8874		115-7365	
112-5105		112-9916		114-8876		115-7366	
112-5106		112-9918		114-8897		115-7386	
112-5107		114-0434-03		114-9383		115-7388	
112-5121		114-0435-03		114-9388		115-7818	
112-5122		114-0550		114-9389		115-7854	
112-5123		114-0551		114-9390		115-8059	
112-5262		114-0553		114-9391		115-8060	
112-5265		114-0555		114-9396		115-8066-03	
112-5268		114-0557		115-0120-03		115-8189	
112-5290		114-0558		115-0123		115-8250	
112-5291		114-0560		115-0129		115-8270	
112-6458-03		114-0561		115-0894		115-8282	
112-6461		114-0583		115-1554		115-8292-03	
112-6468-03		114-0590-01		115-1572		115-8293-03	
112-6950		114-0620		115-1770		115-8294-03	
112-6951		114-0626		115-1880		115-8295-03	
112-6952		114-0631		115-1881		115-8297-03	
112-6957		114-0897		115-2007		115-8298-03	
112-6967		114-3319		115-2661		115-8299	
112-6968		114-3494		115-2801		115-8603	
112-7022		114-3717		115-2802		115-8861	
112-7023		114-3972		115-2951		115-8877	
112-7024		114-4057		115-3259		115-8887	
112-7153		114-4634		115-3260		115-8896	
112-7161		114-4643		115-3273		115-8898	
112-7376		114-4650		115-3282		115-8957	
112-7377		114-4665		115-3290		115-9022	
112-7451		114-4672		115-3296		115-9471	
112-7475		114-4683		115-3299		115-9472	
112-7494		114-4685		115-3303-03		115-9473	
112-7673		114-4861		115-3418		117-0106	
112-7688		114-5062		115-3434		117-0107	
112-7689		114-5400		115-3435		117-0172	
112-7836		114-5401		115-3466		117-0203-03	
112-8400		114-5403		115-3475		117-0209-03	
112-8401		114-5404		115-4295		117-0238	
112-8409		114-5406		115-4523		117-0297	
112-8908-01		114-5407		115-5219		117-0823	
112-8910		114-5410		115-5258		117-0957	
		114-5411					

PARTS LIST

Part No.	Sale Price	Part No.	Sale Price	Part No.	Sale Price	Part No.	Sale Price
117-0959		117-8093		119-4548		120-3391	
117-0960		117-8976		119-4549		120-3402	
117-0987		117-9032		119-4775		120-3403	
117-0989		117-9233		119-4776		120-3404	
117-1353		117-9234		119-4777		120-3407	
117-1408		117-9432		119-4778		120-3408	
117-1507		117-9493		119-5852		120-3417	
117-1511		117-9531		119-6021		120-3457	
117-1530		117-9541		119-6225		120-3461-01	
117-1532		117-9542		119-6343		120-3465-03	
117-1548		117-9543		119-6955		120-3476	
117-2453		119-0023		119-6957		120-4174	
117-2720		119-0614-01		119-6972		120-4621	
117-2721		119-0619		119-6987		120-5116	
117-2722		119-0626		119-6988		120-5118	
117-2723		119-0630		119-8010-03		120-5120	
117-2724		119-0631		119-8020		120-5142	
117-2725		119-0641		119-8021		120-5341	
117-2726		119-0649		119-8313		120-5378	
117-2727		119-0934		119-8558		120-5404	
117-2792		119-1128		119-9040		120-5405	
117-2901		119-1604		119-9044-03		120-5577	
117-3399		119-1868		12-0460		120-5772	
117-4464		119-2479		12-1190		120-5819	
117-4687		119-2482		12-3270		120-5824	
117-4689		119-2483		12-8140		120-6272	
117-4922		119-3009		12-9390		120-7230	
117-5100		119-3010		12-9460		120-7639	
117-5115		119-3516		12-9650		120-8910	
117-5121		119-3557		120-0404		120-9595	
117-5125		119-3558		120-0405		120-9600	
117-5129		119-4035		120-0714		120-9605	
117-5135		119-4039		120-0716		120-9607	
117-5141		119-4040		120-0781		120-9609	
117-5194		119-4050		120-1044		120-9611	
117-5196		119-4067		120-1045		120-9613	
117-5197		119-4090		120-1046		120-9618	
117-5419		119-4092		120-1047		120-9619	
117-5541		119-4093		120-1050		120-9620-03	
117-5802		119-4097		120-1051		120-9622	
117-5835		119-4098		120-1052		120-9623	
117-5836		119-4129		120-1053		120-9664	
117-5837		119-4150		120-1057		120-9941	
117-5838		119-4151		120-1058		121-0547	
117-5839		119-4153		120-1059		121-0618	
117-5896		119-4154		120-1060		121-0685	
117-6799		119-4155		120-1061		121-1733	
117-6824		119-4156		120-1640		121-1736	
117-6831		119-4157		120-1641		121-2241	
117-6839		119-4158		120-1642		121-2474-03	
117-6840		119-4164		120-2072		121-2520	
117-7190		119-4165		120-2114		121-2598-01	
117-7191		119-4166		120-2235		121-2637	
117-7192		119-4276		120-2742		121-2976	
117-7193		119-4280		120-2752		121-3165	
117-7194		119-4286		120-2763		121-3166	
117-7195		119-4288		120-2783		121-3167	
117-7196		119-4289		120-3199		121-3199	
117-7198		119-4486		120-3351		121-3548	
117-7199		119-4546		120-3366			

PARTS LIST

Part No.	Sale Price	Part No.	Sale Price	Part No.	Sale Price	Part No.	Sale Price
121-3551		125-3520		127-2188		131-8785	
121-3575		125-3526-03		127-2189		132-4350	
121-3891		125-3527-03		127-2193		132-4351	
121-3892		125-3528-03		127-2194		133-2337	
121-4570		125-3537		127-2195		14-0829	
121-4600		125-3541		127-2200		14-0919	
121-4613		125-4300		127-2201		14-4459	
121-4617		125-4301		127-2202		14-4479	
121-4618		125-4302		127-2206		14-4489	
121-4635		125-5142-03		127-2207		14-7419	
121-4641		125-5178		127-2958		16-1019	
121-4680		125-5196		127-2983		16-9759	
121-4681		125-5222		127-2998		16-9769	
121-4682		125-5244		127-3075		17-1530	
121-5252		125-5279		127-3818		17-1580	
121-5253		125-5609		127-6124		17-1590	
121-5254		125-5610		127-7132		17-1600	
121-5397		125-5611		127-8001		17-1620	
121-6288		125-6044		13-2650		17-1630	
121-6357		125-6045		13-2840		17-1640	
121-6903-03		125-6406		13-3090		17-1650	
121-7856		125-6438		13-3629		17-2490	
121-7924		125-6465		13-3649		17-2520	
121-9070		125-7003		13-3659		17-8149	
121-9072		125-7025		13-3679		17-9420	
121-9076		125-7249		13-3710		17-9426	
121-9077		125-7251		13-7749		18-6320	
121-9081-01		125-7252		13-7759		18-6340	
121-9517		125-7253		13-7769		18-6370	
121-9518		125-8752		130-0071		18-6380	
121-9519		125-9139		130-0081		18-7160	
121-9531		125-9176		130-0099		18-7310	
121-9535		125-9249		130-0105		18-7530	
121-9612		125-9444-03		130-1899		18-7660-01	
121-9924		126-2928		130-4119		19-1470	
125-0552		127-0259		130-4123		19-1471	
125-0554		127-0294		130-4127		19-2090	
125-0765		127-0381		130-4136		19-9540	
125-1938		127-2065		130-4139		19-9550	
125-1967		127-2066		130-4745		19-9560	
125-1984		127-2070		130-6469		19-9820	
125-2165		127-2071		130-6470		2-2149	
125-2169		127-2077		130-7096		20-0480	
125-2751		127-2078		130-7873		20-4670	
125-2770		127-2079		130-7943		20-7380-01	
125-2772		127-2085		130-8357		20-9500	
125-2773		127-2094		130-9410		21-0890	
125-2779-01		127-2095		131-0504		21-1030	
125-2796		127-2105		131-2013		21-1880	
125-2902		127-2156		131-2014		21-3850	
125-2909		127-2157		131-3202		21-3860	
125-2914		127-2160		131-3203		21-3870	
125-2915		127-2161		131-3204		21-6410	
125-3319		127-2164		131-6262		21-8180	
125-3333		127-2165		131-6557		21-8450	
		127-2176		131-6561		21-8470	
		127-2177		131-6801		21-8500-01	
		127-2182		131-6805		21-8640	
		127-2183		131-6809			
				131-8589			

PARTS LIST

Part No.	Sale Price	Part No.	Sale Price	Part No.	Sale Price	Part No.	Sale Price
21-9370		237-68		251-293		256-1	
21-9380		237-77		251-311		256-113	
21-9390		237-78		251-312		256-115	
21-9420		237-79		251-318		256-150	
21-9430		237-80		251-321		256-155	
21-9440		237-81		251-327		256-156	
21-9450		237-84		251-328		256-185	
21-9460		237-95		251-331		256-2	
2112-11		237-97		251-333		256-219	
2112-9		237-99		251-336		256-234	
215-75		24-8840		251-337		256-236	
215-76		24-9180		251-338		256-239	
217-104		240-11		251-342		256-243	
217-117		240-12		251-346		256-251	
217-60		240-3		251-347		256-252	
217-74		240-4		251-352		256-254	
218-578		240-5		251-6		256-257	
218-594		240-7		251-77		256-287	
22-8720		240-9		251-8		256-292	
2210-118		241-119		251-82		256-311	
23-0660		2410-30		252-6		256-317	
23-2270		2410-64		252-66		256-42	
23-2300		2411-38		253-111		257-11	
23-2410-03		2411-40		253-117		257-5	
23-4590-01		2411-41		253-118		257-6	
23-4800		2411-42		253-120		26-1530-01	
23-9740		2411-43		253-121		26-1580	
231-101		2411-44		253-122		26-1820	
231-103		2411-46-03		253-129		26-1840	
231-105		2412-10		253-134		26-1990	
231-122		2412-108		253-137		26-2950	
231-126		2412-111		253-138		26-3790	
231-134		2412-125		253-139		26-6740	
231-138		2412-129		253-141		26-8250-01	
231-141		2412-130		253-152		26-8310-01	
231-3		2412-134		253-154		27-0870	
231-95		2412-137		253-159		27-0920	
232-24		2412-143		253-163		27-0950	
232-3		2412-146		253-165		27-0960	
232-37		2412-3		253-61		27-0970-03	
233-21		2412-34		253-70		27-0990-03	
233-25		2412-36		253-83		27-1010-01	
233-42		2412-37		253-84		27-1040	
233-48		2412-4		253-96		27-1050	
233-70		2412-41		254-106		27-1160	
237-101		2412-73		254-107		27-1170	
237-146		2412-89		254-62		27-1180	
237-148		2412-92		254-65		27-1190	
237-156		2412-94		254-66		27-1200	
237-158		2412-98		254-67		27-1210	
237-161		242-50		254-68		27-1970	
237-177		249-40		254-72		27-2060	
237-21		251-141		254-78		27-2150	
237-22		251-181		254-79		27-2270	
237-30		251-206		254-86		27-2320	
237-38		251-247		254-87		27-2360	
237-42		251-252		254-90		27-2380	
237-54		251-253		254-91		27-2650	
237-58		251-257		254-92		27-3070	
237-65		251-259		254-94		27-5170	

PARTS LIST

Part No.	Sale Price	Part No.	Sale Price	Part No.	Sale Price	Part No.	Sale Price
27-5970		3-7444		30097		32121-112	
27-6602		3-7445		302-11		32121-12	
27-7180		3-8386		302-14		32121-122	
2710-11		3-8448		302-18		32121-123	
2710-20		3-8514		302-2		32121-15	
2710-31		3-9116		302-33		32121-16	
28-0670		3-9117		302-34		32121-2	
28-1590		3-9280-01		302-39		32121-24	
28-1600		30001		302-40		32121-32	
28-2120		30002		302-5		32121-34	
28-3680		30004		302-57		32121-35	
28-4210		30005		302-60		32121-36	
28-8720-01		30006		30245		32121-44	
281-3		30008		30247		32121-45	
282-2		30010		30248		32121-50	
283-1		30012		30249		32121-51	
283-10		30014		30261		32121-6	
283-14		30015		304-46		32121-67	
283-55		30016		304-61		32121-69	
283-57		30017		30408		32121-73	
283-61		30018		31-0750		32128-12	
283-62		30021		32-9610		32128-15	
283-71		30022		321-11		32128-16	
283-73		30023		321-15		32128-19	
283-8		30024		321-18		32128-20	
283-82		30027		321-23		32128-21	
283-83		30028		321-3		32128-23	
283-88		30029		321-4		32128-25	
285-17		30030		321-5		32128-32	
29-1670		30034		321-6		32128-33	
29-1720		30035		3210-2		32128-36	
29-3490		30036		3210-4		32128-43	
29-4820		30037		32103-12		32128-48	
29-5530-03		30038		32103-22		32128-49	
29-6162		30039		32104-116		32128-54	
29-6163		30040		32104-17		3213-1	
29-8870		30041		32104-76		3213-2	
29-8910		30042		32104-95		3213-20	
29-9100		30043		32105-13		3213-8	
3-0144		30051		32105-2		32136-9	
3-0312		30052		32105-21		32141-111	
3-1506		30053		32108-100		32141-36	
3-2198		30054		32108-101		32144-10	
3-3891		30055		32108-20		32144-14	
3-3892		30056		32108-9		32144-18	
3-3904		30057		3211-2		32144-44	
3-4010		30058		3211-4		32144-57	
3-4160		30059		3211-40		32146-13	
3-4170		30061		3211-6		32146-20	
3-4244		30062		32120-15		32148-5	
3-6498		30063		32120-19		32151-104	
3-6558		30064		32120-22		32151-12	
3-6573		30065		32120-37		32151-36	
3-6685		30068		32120-47		32151-47	
3-6775		30073		32120-62		32151-60	
3-6776		30086		32120-72		32151-62	
3-6777		30089		32120-84		32151-71	
3-6778		30090		32120-93		32151-77	
3-6781		30091		32121-11		32151-92	
3-7442		30093		32121-111		32152-1	

PARTS LIST

Part No.	Sale Price	Part No.	Sale Price	Part No.	Sale Price	Part No.	Sale Price
32152-4		323-14		324-6		3256-26	
32153-5		323-15		324-7		3256-3	
32153-6		323-17		3241-5		3256-35	
3216-16		323-19		3241-6		3256-38	
3217-5		323-2		3241-7		3256-4	
3217-6		323-20		3242-1		3256-42	
3217-7		323-23		3242-2		3256-45	
3217-8		323-29		3242-4		3256-46	
3217-9		323-4		3242-9		3256-49	
3218-1		323-49		3243-13		3256-5	
3218-13		323-5		3245-1		3256-51	
3218-18		323-50		3245-35		3256-56	
3218-2		323-53		3245-42		3256-6	
3218-3		323-58		3246-17		3256-67	
3218-5		323-6		3246-2		3256-69	
3218-7		323-7		3249-3		3256-74	
3219-1		323-8		325-10		3256-78	
3219-10		323-9		325-11		3256-82	
3219-14		3230-1		325-14		3257-3	
3219-2		3230-2		325-17		3257-32	
3219-3		3230-22		325-18		3257-33	
3219-5		3230-23		325-19		3257-42	
322-1		3230-26		325-2		3257-5	
322-10		3230-30		325-22		3258-166	
322-11		3230-5		325-4		3262-3	
322-12		3230-6		325-5		3269-23	
322-14		3230-7		325-6		3269-28	
322-16		3231-2		325-7		3269-3	
322-17		3231-21		325-8		3269-4	
322-2		3231-22		3250-13		3269-8	
322-20		3231-25		3250-36		327-15	
322-23		3231-27		3252-4		327-17	
322-29		3231-33		3253-17		327-24	
322-3		3231-4		3253-21		327-25	
322-4		3231-5		3253-3		3272-1	
322-42		3233-26		3253-4		3272-10	
322-5		3234-1		3253-5		3272-11	
322-6		3234-11		3253-6		3272-12	
322-7		3234-12		3253-7		3272-16	
322-8		3234-13		3253-8		3272-19	
322-9		3234-14		3254-1		3272-23	
3220-1		3234-17		3254-17		3272-37	
3220-12		3234-18		3254-2		3272-4	
3220-18		3234-19		3254-21		3272-6	
3220-2		3234-24		3254-4		3272-7	
3220-20		3234-27		3254-6		3273-14	
3220-25		3234-29		3254-8		3274-1	
3220-26		3234-32		3255-16		3274-105	
3220-3		3234-33		3255-7		3274-12	
3220-6		3234-34		3255-8		3274-31	
3220-7		3234-36		3255-9		3274-39	
3229-1		3234-38		3256-1		3274-5	
3229-11		3234-4		3256-14		3274-52	
3229-2		3234-5		3256-15		3274-69	
3229-20		3234-6		3256-16		3274-7	
3229-34		3234-7		3256-2		3274-74	
323-10		324-10		3256-22		3274-80	
323-11		324-13		3256-23		3274-93	
323-12		324-25		3256-24		328-9	
323-13		324-5		3256-25		3283-1	

PARTS LIST

Part No.	Sale Price	Part No.	Sale Price	Part No.	Sale Price	Part No.	Sale Price
3289-18		33004-00		340-156		38-0410	
329-1		33014-00		340-157		38-3400	
329-2		33023-00		340-16		38-5250	
3290-125		33024-00		340-17		38-7330	
3290-133		33025-00		340-18		38-7420	
3290-134		33026-00		340-2		38-7820	
3290-237		33028-00		340-3		39-0730	
3290-244		33093-00		340-4		4-2219	
3290-271		33094-00		340-65		4-5189-01	
3290-317		33098-00		340-7		40-0340	
3290-321		33103-012		340-70		40-0370-01	
3290-334		33103-020		340-72		40-3760-03	
3290-343		33103-040		340-74		40-6400	
3290-355		33103-045		340-77		40998	
3290-357		33104-020		340-78		40999	
3290-360		33104-040		340-82		41-9150	
3290-378		33105-025		340-86		411024	
3290-379		33105-030		340-87		41480	
3290-382		33113-008		340-88		41679	
3290-384		33113-012		340-89		41763	
3290-440		33113-025		340-92		42-1910	
3290-450		33113-030		340-98		42-1940	
3290-467		33114-010		353-212		42-4790-01	
3290-477		33114-016		353-371		42-4800-01	
3290-485		33114-020		353-374		42-4820	
3290-495		33114-025		353-384		42-9030	
3290-55		33114-030		353-426		42-9100	
3295-46		33114-035		353-427		43-0090	
3296-12		33114-040		353-461		43-1820	
3296-15		33114-060		353-511		43-2550	
3296-16		33115-016		353-515		43-2830	
3296-19		33115-020		353-528		43-3990	
3296-2		33115-025		353-550		43-5910	
3296-23		33115-030		353-564		43-5930	
3296-25		33115-050		353-743		43-6810	
3296-26		33115-080		353-783		44-0870	
3296-28		33118-045		353-877		44-2200	
3296-29		33118-140		353-949		44-5480	
3296-33		33123-016		353-957		44-5560	
3296-39		33124-025		353-987		44-6250-03	
3296-4		33125-025		353-988		44-6260	
3296-42		33125-030		353-990		44-6340	
3296-47		33125-045		354-120		44-6370	
3296-48		33126-045		354-121		44-8990	
3296-49		3334-945		354-126		46-0430	
3296-5		340-1		354-136		46-6560	
3296-50		340-101		354-73		46-7080	
3296-53		340-103		354-78		46-7510	
3296-57		340-105		354-79		46-8140	
3296-6		340-109		36-1740		46-8530	
3296-60		340-126		36-7190		46-8560	
3296-62		340-127		36-7250		47-2380	
3296-67		340-128		36-7260		47-2890	
3296-8		340-129		36-7420		47-4060-01	
3296-9		340-132		361-1		47-4080-01	
33-0630		340-136		361-10		47-4250	
33-1000		340-138		37-2760-01		47-4260	
33-3090		340-14		37-3490-01		47-4300-01	
33003-00		340-142		37-6730		47-4380	
		340-154		37-8030-03		47-4390	

PARTS LIST

Part No.	Sale Price	Part No.	Sale Price	Part No.	Sale Price	Part No.	Sale Price
47-4400		5-1463		56-6360		59-6140	
47-4410		5-1464-03		56-7950		59-6150	
47-4420		5-1468-01		56-7960		59-6190	
47-4430		5-1470		56-7970		59-6250-01	
47-4440		5-1706		56-7971		59-6290	
47-4450		5-2186		56-7972		59-6330	
47-4460		5-2653		56-7973		59-6340	
47-4470		5-2673		56-7976		59-7410	
47-4480		5-2942		56-9510		59-7490	
47-4490		5-3137		56-9520		59-8400	
47-4510		5-3256		560031W		59-9740	
47-4530		5-3257		57-0240		6-1030	
47-5320-01		5-3820		57-0260		6-1130	
47-5340-01		5-3889		57-0680		6-1600	
47-5380-01		5-3934		57-0690		60-5470	
47-5640		5-4038		57-3210		60-6500	
47-6680		5-4373		57-4940-01		61-0380-01	
47-7140		5-4523		57-5190		61-0410	
47-7150		5-4527		57-5200		61-0420-01	
47-7160		51-0350		57-5210		61-0430-01	
47-7170		51-0600		57-5270		61-0790	
47-7510		51-0680		57-5280		61-0910	
48-7430		51-0700		57-6140		61-1010	
48-8880		51-0780		57-6220		61-1070-01	
48-9020		51-0790		57-6390		61-1210-01	
48-9050		51-0830		57-7650		61-1950	
48-9071-01		51-0840		57-8580		61-2670	
48-9081-01		51-1430		57-9340		61-2790	
48-9220		51-2550		57-9910		61-3000	
48-9590		51-3140		58-3850		61-3260	
49-0390		51-4060		58-4250		61-3280	
49-2040		5108		58-5740		61-3290	
49-4100		52-1460		58-5750		61-3380	
49-5430		52-2480		58-5760		61-3390	
49-5880		52-2860		58-5770		61-3400	
49-5900		52-2890		58-5780		61-3790	
49-5960		52-2891		58-5790		61-3800	
49-6020		52-2900		59-2080		61-4160	
49-6030		52-2910		59-2090		61-9390-01	
49-6110-01		52-2920		59-2500-03		62-2130	
49-6120		52-2930		59-2580		62-2170	
49-6200-01		52-2980		59-3670		62-2180	
49-6220		52-2990		59-4200		62-2190	
49-6250		52-3000		59-5470-01		62-2390-01	
49-6260		52-3100		59-5560		62-2420-01	
49-6290		52-3110		59-5570		62-2440	
49-6440-03		52-3120		59-5580-01		62-2460	
49-7660		52-3170		59-5630		62-2660	
49-8320		52-3180		59-5690		62-4340	
5-0652		52-3200		59-5770-01		62-4420	
5-0698		52-3590		59-5780		62-4480	
5-0946		53-9250		59-5820		62-4600	
5-1090		54-0010-03		59-5830-01		62-4610-03	
5-1091		54-0110		59-5890		62-5070	
5-1226		54-8810		59-5910		62-5510	
5-1382		54-9180		59-6000-01		62-5570	
5-1393		55-7660		59-6010-01		62-5580	
5-1457		56-1500		59-6070-01		62-6080	
5-1460		56-6220		59-6080-01		62-6110	
5-1461		56-6230		59-6090		62-6130	

PARTS LIST

Part No.	Sale Price	Part No.	Sale Price	Part No.	Sale Price	Part No.	Sale Price
62-6390		66-5640		7-0081		75-1620-01	
62-6470		66-5650		7-4150		75-1710	
62-6480-01		66-7220		70-1100-01		75-1720	
62-7120		66-7230		70-1170		75-1740	
62-7700-03		66-7240		70-1200-01		75-1750-01	
62-7770		66-8010		70-1350		75-1840	
63-0070		66-9140		70-1820		75-1960-01	
63-0080-03		66-9302		70-4790		75-1980-01	
63-0960		67-1750		70-7130		75-2160	
63-1510		67-1751		70-8040		75-3930	
63-1540-03		67-4410		70-8370		75-4020-03	
63-1770		67-4630		70-8500		75-4030-03	
63-3410		67-5770		70-9840		75-4040-03	
63-3850		67-5840		70-9870		75-4050-03	
63-3890		67-7561		70-9880		75-4705	
63-3930		67-7960		700083		75-5270	
63-3950		67-8110		700382		75-5470	
63-4020		67-8510		71-0990		75-5890	
63-4030		67-9410		71-1360		75-5900	
63-4050		68-5130		71-1550		75-5910	
63-4080		68-5260		71-2530		75-6050	
63-4480		68-5310		71-3590		75-6070	
63-6240		68-5380		71-3690		75-6080	
63-7790		68-5560		71-4410		75-6110	
63-8300		68-5880		71-4411		75-6180	
63-8360		68-6150		71-4540		75-6200	
63-8400		68-6710		71-4740-03		75-6230	
63-8410		68-6840		71-5960		75-6340	
63-8580		68-7530		72-0380		75-6820	
63-8600		68-8900-01		72-0390		75-7570	
63-8610		68-8920		72-0410		75-7580-01	
63-8750		68-8930		72-0420		75-7590-01	
63-9510		68-8940		72-0430		75-7680-01	
63-9750		68-8950		72-0440		75-8100	
65-5940		68-8960		72-0450-01		75-9440	
65-5950		68-8970		72-0460-01		75-9670-01	
65-6200		68-8980		72-0470-01		75-9680-01	
65-6450		68-8990		72-0480		75-9830	
65-6460		68-9400		72-3760		75-9831	
65-6520		68-9930		72-4660-03		75-9840	
65-6530		68-9970		72-4660-03		75-9990	
65-7270		69-1510		72-4680-03		76-0410	
65-7800		69-1530		72-9361		76-0800	
65-7910		69-1720		72-9710		76-0850	
65-7940		69-4320		74-0340		76-2460	
65-8360-01		69-5430-03		74-3570		76-2970	
65-8570		69-6270-01		74-3730		76-2980	
65-8600		69-6470		74-5560		76-3580	
65-8770		69-6860		74-5950		76-3600-01	
65-9080		69-6920-03		74-8830		76-3610-01	
65-9500		69-6950		74-9100		76-3620	
65-9700		69-8390		74-9110		76-4660	
6590003		69-8400		75-0770		76-5050	
66-0561		69-8890		75-1040		76-5220	
66-2490		69-8930		75-1290		76-8170	
66-2950		69-8960		75-1310		76-8210	
66-4070		69-8980		75-1370		76-8640	
66-4270-03		69-9760		75-1520		76-8870	
66-4340		69-9800		75-1560-01		76-9570	
66-5620		69-9880		75-1610-01		77-0300-01	

PARTS LIST

Part No.	Sale Price	Part No.	Sale Price	Part No.	Sale Price	Part No.	Sale Price
77-0330		83-0630		84-2450		86-6110	
77-0350		83-0640-01		84-2451		86-7330	
77-0560		83-0700-03		84-2452		86-7450	
77-1060		83-0730		84-2453		86-7610-03	
77-1080		83-0740		84-2460-03		86-7640-01	
77-4340-01		83-0750		84-2550-03		86-8630	
77-4810		83-0760		84-2620-03		86-9100	
77-5080-01		83-0820		84-2680-03		86-9120	
77-5090-01		83-0830-01		84-5300		86-9140	
77-5100-01		83-0840-01		84-5370		86-9720	
77-5320		83-0870		84-6070		86-9810-01	
77-6710-03		83-0910		84-6080		87-1970	
77-7330		83-1031		84-6090		87-3200	
8-1750		83-1040		84-6160		87-3210	
8-2490		83-1050		84-6180		87-3290	
8-2530		83-1060-03		84-8200		87-3470	
8-2570		83-1150		84-8290		87-4020	
8-3980		83-1200		84-8600		87-5100	
8-3990		83-1220		84-8730		87-6630	
80-1210		83-1270		84-8740		87-7270	
80-1300		83-1350		85-0160-03		87-8170	
80-1460		83-1360		85-0290		87-8370	
80-1470		83-1390		85-0310-03		87-8640	
80-1680		83-1420		85-4650		87-9400	
80-1690		83-1430		85-4930		88-6790	
80-1860-03		83-1630-03		85-4940		88-6830	
80-1890		83-1670		85-5760		88-6870	
80-2040		83-1680		85-6010		88-7580	
80-2050		83-1690		85-6040-03		88-7590	
80-6990		83-1700		85-6540		88-7880	
80-8650		83-1840-01		85-6610		88-8350	
80-9590		83-1890		85-7190		88-8440-03	
82-0660		83-2280		85-7220		88-8450	
82-2190		83-2310		85-8030		88-8480	
82-3070-03		83-2420		85-8120-03		88-8990	
82-6510-01		83-2590		85-8290		88-9000	
82-6530-01		83-4720-01		85-8360		88-9630-01	
82-6570		83-4730-01		85-8460		88-9640-01	
82-6600		83-4740		85-8730		88-9700	
82-6630-01		83-5400		85-8770		92-0527	
82-6650-01		83-6930-01		85-8940		92-0530	
82-6710		83-6940-01		85-8950		92-0585	
82-6740		83-6950-01		85-8960		92-0586	
82-6770-01		83-6980-01		85-9020		92-1233	
82-6780-01		83-7000		85-9030		92-1298	
82-6810-01		83-8590		85-9120		92-1655	
82-6820		83-9020		85-9150		92-1705	
82-6830-01		83-9310		85-9180		92-1715	
82-6870-01		84-0810-01		85-9200		92-1719	
82-6880-01		84-0820-01		85-9550		92-1722	
82-9390		84-1990		85-9670		92-1723	
83-0020		84-2000-03		85-9970		92-1724	
83-0030		84-2190		86-0010-03		92-1726	
83-0040		84-2230-03		86-1960		92-1727	
83-0080		84-2280-03		86-1970		92-1765	
83-0160		84-2350		86-3010		92-1815	
83-0190-01		84-2360-03		86-5350		92-1846	
83-0200-01		84-2390-03		86-5360		92-2025	
83-0540-01		84-2400-03		86-5900		92-2041	
83-0580		84-2420-03		86-5910		92-2307-03	

PARTS LIST

Part No.	Sale Price	Part No.	Sale Price	Part No.	Sale Price	Part No.	Sale Price
92-2308-03		92-8991		93-2576-01		93-6053-01	
92-2311-03		92-8995		93-2877		93-6069	
92-2312-03		92-8997		93-2887		93-6090	
92-2313-03		92-9167		93-2891		93-6212	
92-2314		92-9199		93-2892		93-6587	
92-2315		92-9218		93-2902-01		93-6688	
92-2318-03		92-9231		93-2904-01		93-6689	
92-2319-03		92-9250		93-2906		93-6696	
92-2320		92-9251		93-2921		93-6786	
92-2323		92-9252		93-2931		93-6787	
92-2324		92-9545		93-2959		93-6788	
92-2325-03		92-9727		93-2981-01		93-6789	
92-2326-03		92-9749		93-2982-01		93-6790	
92-2343-01		92-9767		93-2998-01		93-6797	
92-2344		92-9785		93-3007		93-6798	
92-2379		93-0181		93-3038-03		93-6800	
92-2538		93-0183		93-3080-03		93-6806	
92-2546		93-0307		93-3102		93-6807	
92-2601		93-0309		93-3577		93-6828	
92-2762		93-1122		93-4034		93-6829	
92-3086		93-1251		93-4132		93-6838-03	
92-3087		93-1252		93-4239		93-6840	
92-3187		93-1256		93-4240		93-6841	
92-3814		93-1394		93-4241		93-6842	
92-4187		93-1414		93-4242		93-6850	
92-4284		93-2090		93-4243		93-6855	
92-4285		93-2092		93-4244		93-6857	
92-5018-03		93-2096		93-4262		93-6887	
92-5035		93-2190		93-4263		93-6890	
92-5039		93-2191		93-4264		93-6960	
92-5578-01		93-2254		93-4510		93-6981	
92-5588		93-2255		93-4582		93-7140	
92-5604		93-2256		93-4628		93-7160	
92-5606		93-2258		93-4632		93-7486	
92-5607-03		93-2264		93-4696		93-7498	
92-5608-03		93-2270		93-4747		93-7500	
92-5753		93-2279		93-4764		93-7501	
92-5816		93-2322		93-4803		93-7502	
92-6282		93-2329		93-4806		93-7509	
92-7160		93-2368		93-4824		93-7510	
92-7179-01		93-2384		93-4825		93-7522	
92-7186		93-2454		93-4838		93-7629	
92-7302		93-2463		93-4839		93-7630	
92-7305		93-2464		93-4982		93-7631	
92-7559		93-2466		93-5023		93-7769	
92-7560		93-2467		93-5265		93-7775	
92-7595		93-2470		93-5385		93-8062	
92-7768		93-2489		93-5431		93-8063	
92-7900		93-2511-01		93-5547		93-8064	
92-7941		93-2516		93-5630		93-8065	
92-8690		93-2518		93-5670		93-8075	
92-8863		93-2522		93-5957		93-8409	
92-8866		93-2525		93-5961		93-8457	
92-8934		93-2545		93-5973		93-8584	
92-8969		93-2549		93-5974		93-8626	
92-8972		93-2550		93-5980		93-8636	
92-8973		93-2551		93-5988		93-8637	
92-8981		93-2559		93-6048		93-8684	
92-8983		93-2562		93-6049		93-8732-01	
92-8990		93-2569		93-6051			

PARTS LIST

Part No.	Sale Price	Part No.	Sale Price	Part No.	Sale Price	Part No.	Sale Price
93-8806		94-2958		94-8178		95-0625	
93-8823		94-3256		94-8196		95-0632-03	
93-8825		94-3405		94-8197		95-0636	
93-8826		94-3477		94-8198		95-0637-03	
93-8827		94-3489		94-8693		95-0642	
93-8849		94-3559		94-8908		95-0643	
93-9015		94-3621		94-8936		95-0646	
93-9017		94-3695-01		94-8945		95-0647	
93-9018		94-3697-01		94-9024		95-0648	
93-9039		94-3829		94-9202		95-0707	
93-9043		94-3951		94-9210		95-0728	
93-9045		94-4307		94-9211		95-0745	
93-9049-01		94-4328		94-9213		95-0772	
93-9051		94-4329		94-9214		95-0930	
93-9052		94-4332-01		94-9219		95-1629	
93-9078		94-4333-01		94-9220		95-1633	
93-9151		94-4335		94-9226		95-1634-01	
93-9164		94-4344		94-9411		95-1635-01	
93-9774		94-4507		94-9609		95-1636	
93-9783		94-4543		94-9610		95-1638	
93-9793		94-4544		94-9611		95-1642-01	
93-9794		94-4548		94-9614		95-1811	
93-9795		94-4969		94-9617		95-1828	
93-9879		94-4982		94-9618		95-2450	
93-9898		94-4993		94-9619		95-2625	
93-9901-01		94-5053		94-9620		95-2638	
93-9903		94-5079		94-9625		95-2741	
93-9904		94-5236		94-9648		95-2789	
93-9934		94-5261		95-0177		95-2790	
93-9936		94-5350		95-0532		95-2793	
93-9937		94-5381-01		95-0550		95-2903	
93-9938		94-5383-01		95-0551		95-2907	
93-9939		94-5586-01		95-0552		95-2908	
94-0694		94-5588-01		95-0555		95-2909	
94-0695		94-5780		95-0556-03		95-2910	
94-1291		94-5850		95-0557		95-2912	
94-1304		94-5858		95-0559		95-2932	
94-1328		94-5859		95-0562		95-2941-01	
94-1341		94-5873		95-0563		95-3070	
94-1369		94-5879		95-0564		95-3071	
94-1374		94-5885		95-0568-01		95-3072	
94-1375		94-5979		95-0575		95-3073	
94-1378		94-6116		95-0576-03		95-3076	
94-1382		94-6363		95-0577		95-3077	
94-1386		94-6368		95-0582		95-3078	
94-1433		94-6392		95-0584		95-3079	
94-1861-03		94-6394		95-0586		95-3080	
94-2500		94-6395		95-0590-03		95-3081	
94-2621		94-6396		95-0591		95-3082	
94-2660		94-6710		95-0592		95-3083	
94-2690		94-6826		95-0594		95-3084	
94-2694-01		94-6936		95-0595		95-3085	
94-2701		94-7227		95-0599		95-3086	
94-2702		94-7372		95-0600-01		95-3087	
94-2703		94-8150		95-0601-01		95-3088	
94-2710		94-8169		95-0610		95-3089	
94-2732		94-8170		95-0611		95-3090	
94-2733		94-8171		95-0612		95-3091	
94-2738				95-0620-01		95-3094	
94-2747				95-0621		95-3095	

PARTS LIST

Part No.	Sale Price	Part No.	Sale Price	Part No.	Sale Price	Part No.	Sale Price
95-3147		95-8934		98-5918		99-1613	
95-3348		95-8972		98-5920-01		99-1615	
95-3465		95-8979		98-5933		99-1635	
95-3577		95-8981		98-7068-01		99-1637-01	
95-3703		95-8982		98-7257		99-1644	
95-4256		95-8990		98-7260		99-2022	
95-4356		95-8999		98-7261		99-2023	
95-4387		95-9185		98-7264		99-2047	
95-4389		95-9186		98-7300-01		99-2079	
95-5622		95-9188		98-7302-01		99-2087	
95-5719		95-9191		98-7312		99-2093	
95-5805		95-9193		98-7313		99-2096	
95-5806		95-9221		98-7419		99-2097	
95-5807		95-9222		98-7612		99-2098	
95-5817		95-9223		98-7693		99-2318	
95-5825		95-9224		98-7705		99-3404	
95-5826		95-9225		98-7769		99-3467	
95-5833		95-9226		98-7912		99-3472	
95-5840-03		98-0152		98-7913		99-3478	
95-5942		98-0616		98-7921-01		99-3514	
95-5943		98-0632		98-7966		99-3545	
95-5946		98-0642		98-7978		99-3619	
95-5959-01		98-0647		98-8153		99-3623-03	
95-5965		98-0648		98-8159		99-3631	
95-5966		98-0649		98-8173		99-3757	
95-5984		98-0668		98-8676		99-3767	
95-5985		98-0917		98-8677-01		99-3773	
95-5986		98-0924-01		98-8687		99-3782	
95-5987		98-0925		98-8688		99-3792	
95-5988		98-0950-01		98-8690		99-3794-03	
95-5989		98-0973		98-8691		99-3801	
95-6448		98-0996		98-8754		99-3841	
95-7119		98-1450		98-8756		99-3842	
95-7140-01		98-1483		98-8759		99-4103	
95-7148		98-2150		98-8761-01		99-4109	
95-7149		98-2153		98-8775		99-4114	
95-7497		98-2160		98-8776		99-4152	
95-7733-01		98-2161		98-8777		99-4183-01	
95-8531		98-2178		98-9305		99-4197	
95-8575		98-2181		98-9311		99-4201	
95-8689		98-2182		98-9416		99-4209	
95-8694		98-2194		98-9493		99-4210	
95-8724-03		98-2196		98-9676		99-4211	
95-8730		98-2330		98-9705		99-4243	
95-8739-01		98-2389		98-9764		99-4270	
95-8748-01		98-2877		99-0775		99-4500	
95-8752		98-2947		99-0815		99-4502	
95-8753-01		98-2982		99-0853		99-4503	
95-8755-01		98-2993		99-1091		99-4504	
95-8783		98-3551		99-1268		99-4505	
95-8784		98-3587-01		99-1283		99-4506	
95-8802		98-3921		99-1291		99-4507	
95-8805		98-3998-01		99-1297		99-4508	
95-8828		98-3999		99-1453		99-4509	
95-8835		98-4166		99-1454		99-4543-01	
95-8836		98-4590		99-1456		99-5107	
95-8837		98-4639		99-1460		99-5432	
95-8853		98-4871		99-1611		99-5434	
95-8861		98-5208		99-1612			
95-8905-01		98-5215					

Part No.	Sale Price	Part No.	Sale Price	Part No.	Sale Price
99-5493		SG148154		SGT10750	
99-5608-03		SG148160		SGT10813H	
99-5609-03		SG481512		SGT12125	
99-5614		SG482016		SVB13600	
99-5617		SG482017		SVB14520	
99-5621		SG487054			
99-5652		SG487255			
99-5653		SG487256			
99-5654		SG487257			
99-5672		SG487275			
99-5678		SG487276			
99-5725		SG487277			
99-5749		SG487278			
99-6239-01		SG715802			
99-6240		SGA08313			
99-6241		SGA10375			
99-6858		SGA12375			
99-6964		SGC05550			
99-6969		SGC07624			
99-7133		SGC07625			
99-7140		SGC07750			
99-7143		SGC07754			
99-7144		SGC08100H			
99-7214		SGC08123			
99-7300		SGC08125			
99-7420		SGC10100H			
99-7430		SGC10100S			
99-7435		SGC10750			
99-7532		SGC10754			
99-7534		SGC10755			
99-7570		SGC10813H			
99-7963-03		SGC12123			
99-8150		SGC12125			
99-8162		SGS07313			
99-8163		SGS08313			
99-8168		SGS08375			
99-8193		SGS08500			
99-8343		SGS10374			
99-8351		SGS10375			
99-8358		SGS10500			
99-8432		SGS10504			
99-8611		SGS10750			
99-8661		SGS10875			
99-8662		SGS10876			
99-8664		SGS12500			
99-8675		SGS12750			
99-8686		SGS12875			
99-8693		SGS12876			
99-8698-01		SGS14500			
99-9156		SGS14750			
99-9209		SGS14875			
99-9770		SGS14876			
99-9771		SGS16100			
99-9827		SGT05550			
GVA15201		SGT07625			
GVA15205		SGT07750			
H292327		SGT08100H			
KW10676		SGT08125			
SBC17000		SGT10100H			
		SGT10100S			

FIND Toro® Parts FAST



Now you can look up Toro parts with your computer, smartphone or tablet — anywhere, anytime you have Internet access. Flip the pages like a magazine or click the index to jump to the page you need. The 2016 digital edition of this catalog is just a click away.



- MOBILE-FRIENDLY**
- Nothing to download
- Bonus videos and quick-links





FOLLOW US!

facebook.com/toro

twitter.com/TheToroCompany

twitter.com/ToroGolf

youtube.com/toro

linkedin.com/company/the-toro-company

toro.com 800-803-8676

©2016 The Toro Company. Bloomington, MN 55420
All rights reserved. Printed in the USA.

Products depicted in this literature are for demonstration purposes only. Actual products offered for sale may vary in use, design, required attachments and safety features. We reserve the right to improve our products and make changes in specifications, design and standard equipment without notice and without incurring obligation. See your dealer for details on all our warranties.

