

Outcross 9060 Specifications

	OUTCROSS 9060 MODEL 07511	OUTCROSS 9060 W/ CAB	OUTCROSS 9060 W/ LOADER ARMS	OUTCROSS 9060 W/ LOADER ARMS & CAB
ENGINE	Yanmar® 4-cylinder, direct injection, turbo-charged, liquid-cooled diesel. Power: 59.8 hp (44.6 kW) gross, @ 3000 rpm. Displacement: 127.6 cu. in. (2.1 L) EPA Tier IV Final Compliant.			
CAPACITIES	Fuel: 14 gallons (53 L) Engine oil with filter: 6.1 quarts (5.8 L)			
ELECTRICAL SYSTEM	12-volt system. Battery: 690 CCA. Alternator: 80 amp.			
TRACTION DRIVE	2-speed hydrostatic			
PTO	Rear independent mechanical up to 540 rpm. Power: 51 hp (38 kW)			
INSTRUMENTATION	InfoCenter™. Onboard LCD displays for attachment parameter setup and to show gauges, alerts/faults, service reminders, electrical system diagnostics. Indicates fuel level, coolant temp, intake temperature, low oil pressure, alternator, engine hours, engine rpm, hydraulic oil temperature, voltage.			
GROUND SPEED/ CLEARANCE	Forward: 21 mph (33.8 km/h) Reverse: 20 mph (32.2 km/h) Ground Clearance: 8" (203 mm)			
HYDRAULICS	Open center with total capacity of 20 gpm (75.7 lpm)			
AUX / REMOTE	12 gpm @ 3000 psi. Standard: 1 remote. Optional: additional hydraulic remotes			
LENGTH	Front Bumper to 3-point Linkage: 161" (409 cm)		Mounting Plate to Counter Weight End: 202.5" (514 cm)	
WIDTH	With Bed – 77" (195 cm)			
HEIGHT	95" (241 cm)	98" (249 cm)	95" (241 cm)	98" (249 cm)
WEIGHT	5,160 lbs. (2,340 kg)	5,820 lbs (2,640 kg)	5,910 lbs (2,680 kg)**	6,570 lbs (2,980 kg)**
TURNING RADIUS	57" (145 cm)			
OUTSIDE TURNING DIAMETER	300" (762 cm)			
WHEELBASE	83" (211 cm)			
TIRES	Standard: Front: 29.5 x 12 Rear: 32 x 16 Aggressive: Front: 29.5 x 12 Rear: 32 x 12			
TRACK WIDTH	57.5" (146 cm)			
3-POINT HITCH	Category 2 Lift capacity at 24" (61 cm) Lift Point: 2,500 lbs. (1,134 kg)			
WARRANTY / CERTIFICATION	Two-year limited warranty. Refer to operators manual for further details. Certified to meet SAE J2194			
BED DIMENSIONS – SEE DIAGRAM PAGE 3				
	Standard Bed		Cargo Bed	
CAPACITY	1,000 lbs. (453.6 kg)		4,500 lbs. (2,041 kg)	
LENGTH	27" (68.6 cm)		52" (132 cm)	
WIDTH, HEIGHT & LOAD HEIGHT (INSIDE)	Width: 73" (185 cm)		Height: 16" (40.6 cm) Load Height: 38" (97 cm)	
VOLUME	0.77 cubic yards (0.59 cubic meters)		1.3 cubic yards (0.99 cubic meters)	
FRONT LOADER				
LIFT CAPACITY & LIFT HEIGHT (PIVOT PIN)	Lift capacity: 2,200 lbs. (998 kg) Lift height: 107" (272 cm)			
REACH AT MAX LIFT HEIGHT	33" (84 cm)			
MAXIMUM DUMP ANGLE	70.5 degrees			
REACH OF ATTACHMENT ON GROUND	98.6" (250 cm)			
MAXIMUM ROLLBACK ANGLE	34.8 degrees			
DIGGING DEPTH	7.5" (19 cm) – when bucket is level			
OVERALL HEIGHT	53.5" (136 cm) – in carry position			
SQUARE BUCKET WIDTH / STRUCK CAPACITY	73" (185 cm) / 0.45 cubic yards (0.34 cubic meters)			

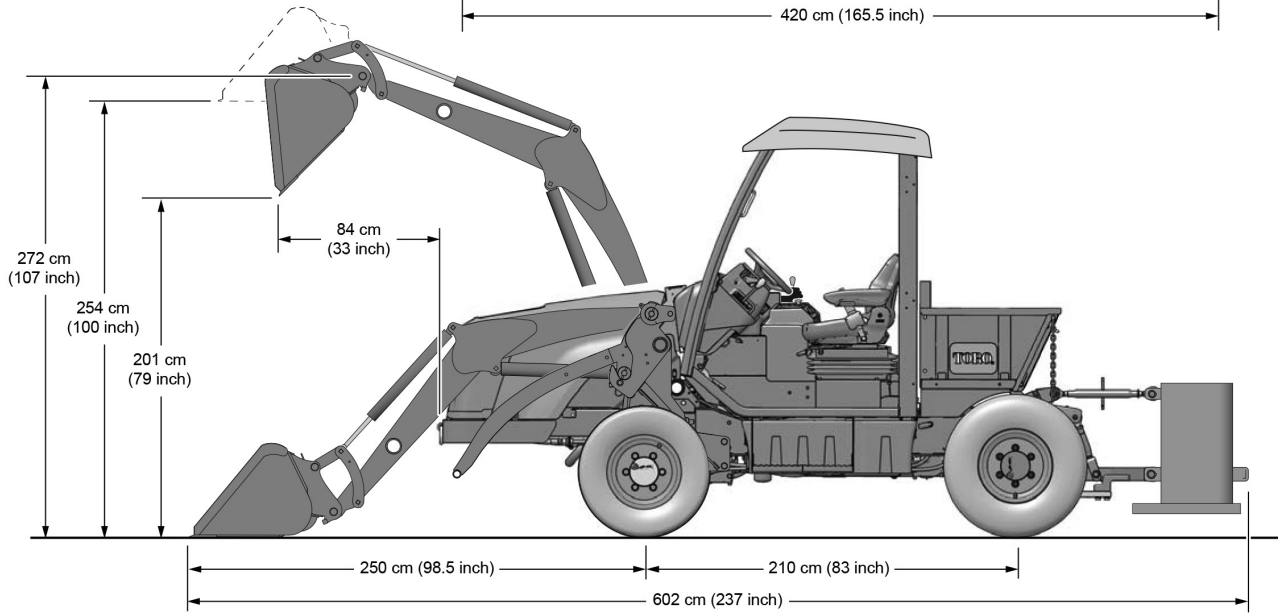
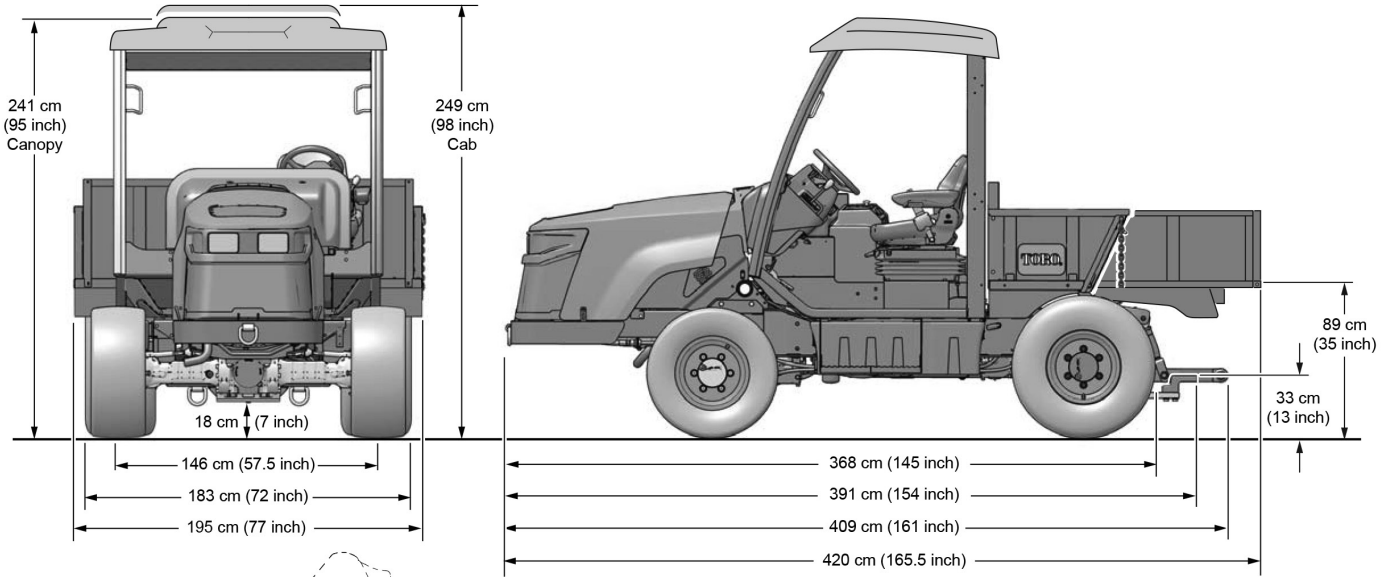
*Specifications and design subject to change without notice. Products depicted in this literature are for demonstration purposes only. Actual products offered for sale may vary in design, required attachments and safety features. Consult your local Toro Distributor. Refer to Operator's Manual for further information and instructions.

**Without loader attachment and recommended 1,800 lbs. (816.5 kg) rear counter weight

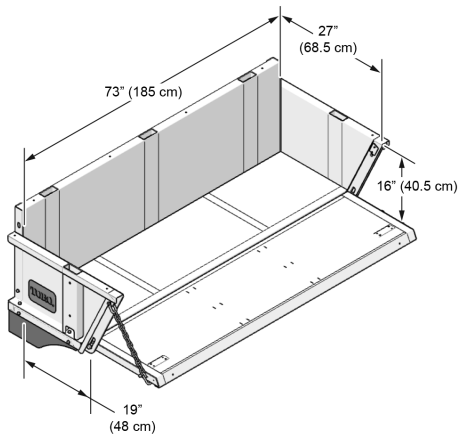




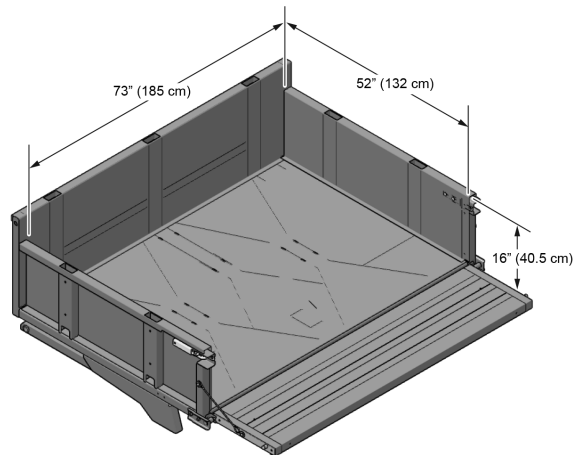
Outcross 9060 Dimensions*



STANDARD BED



CARGO BED (Optional)



*Specifications and design subject to change without notice. Products depicted in this literature are for demonstration purposes only. Actual products offered for sale may vary in design, required attachments and safety features. Consult your local Toro Distributor. Refer to Operator's Manual for further information and instructions.

